



US00D438498S

(12) **United States Design Patent**
Burgio, Jr.

(10) **Patent No.:** **US D438,498 S**

(45) **Date of Patent:** **** Mar. 6, 2001**

- (54) **DECORATIVE ROCKER PANEL**
- (75) Inventor: **James G. Burgio, Jr.**, Greensboro, NC (US)
- (73) Assignee: **Advanced Technology, Inc.**, Greensboro, NC (US)
- (**) Term: **14 Years**
- (21) Appl. No.: **29/116,969**
- (22) Filed: **Jan. 13, 2000**
- (51) **LOC (7) Cl.** **12-16**
- (52) **U.S. Cl.** **D12/196**
- (58) **Field of Search** D12/196, 93, 98, D12/203; 296/190

4,774,772	10/1988	Vetter et al. .
4,781,701	11/1988	Geprags .
4,834,715	5/1989	Haniff .
4,874,381	10/1989	Vetter .
5,069,670	12/1991	Vetter et al. .
5,100,010	3/1992	Waters .
5,104,379	4/1992	Nakamura et al. .
5,135,496	8/1992	Vetter et al. .
5,135,513	8/1992	Meyer et al. .
5,184,742	2/1993	DeCaprio et al. .
5,405,340	4/1995	Fageol et al. .
5,437,650	8/1995	Larkin et al. .
5,624,402	4/1997	Imbert .
5,785,691	7/1998	Vetter et al. .
5,833,653	11/1998	Vetter et al. .
6,027,482	2/2000	Imbert .

FOREIGN PATENT DOCUMENTS

0 022 576 A1	1/1981	(EP) .
0 462 355 A1	12/1991	(EP) .
0 589 379 A1	3/1994	(EP) .
387123	2/1908	(FR) .

(56) **References Cited**

U.S. PATENT DOCUMENTS

- D. 290,833 * 7/1987 Walters D12/203
- D. 292,388 * 10/1987 Wecker D12/203
- D. 319,036 * 8/1991 Fingerle D12/96
- D. 320,382 * 10/1991 Fingerle D12/96
- D. 372,011 * 7/1996 Tyler D12/203
- D. 420,622 * 2/2000 Hillmake et al. D12/97
- D. 430,092 * 8/2000 Burgio, Jr. D12/196
- 1,727,755 9/1929 Dickinson .
- 1,742,497 1/1930 Dickinson .
- 1,793,068 2/1931 Dickinson .
- 2,158,593 5/1939 Scrimgeour .
- 2,371,086 3/1945 Watson et al. .
- 2,677,374 5/1954 Burnside .
- 2,755,801 7/1956 Morando .
- 2,764,978 10/1956 Everett .
- 2,811,155 10/1957 Dunnican .
- 3,491,757 1/1970 Arce .
- 4,043,334 8/1977 Brown et al. .
- 4,187,848 2/1980 Taylor .
- 4,266,815 5/1981 Cross .
- 4,597,758 7/1986 Aalto et al. .
- 4,636,201 1/1987 Ambrose et al. .
- 4,676,530 6/1987 Nordgren et al. .
- 4,747,835 5/1988 Sandhaus .

OTHER PUBLICATIONS

ProTech Catalog, Revision Feb. 1999.

* cited by examiner

Primary Examiner—Melody N. Brown

(74) *Attorney, Agent, or Firm*—Rhodes & Mason, P.L.L.C.

(57) **CLAIM**

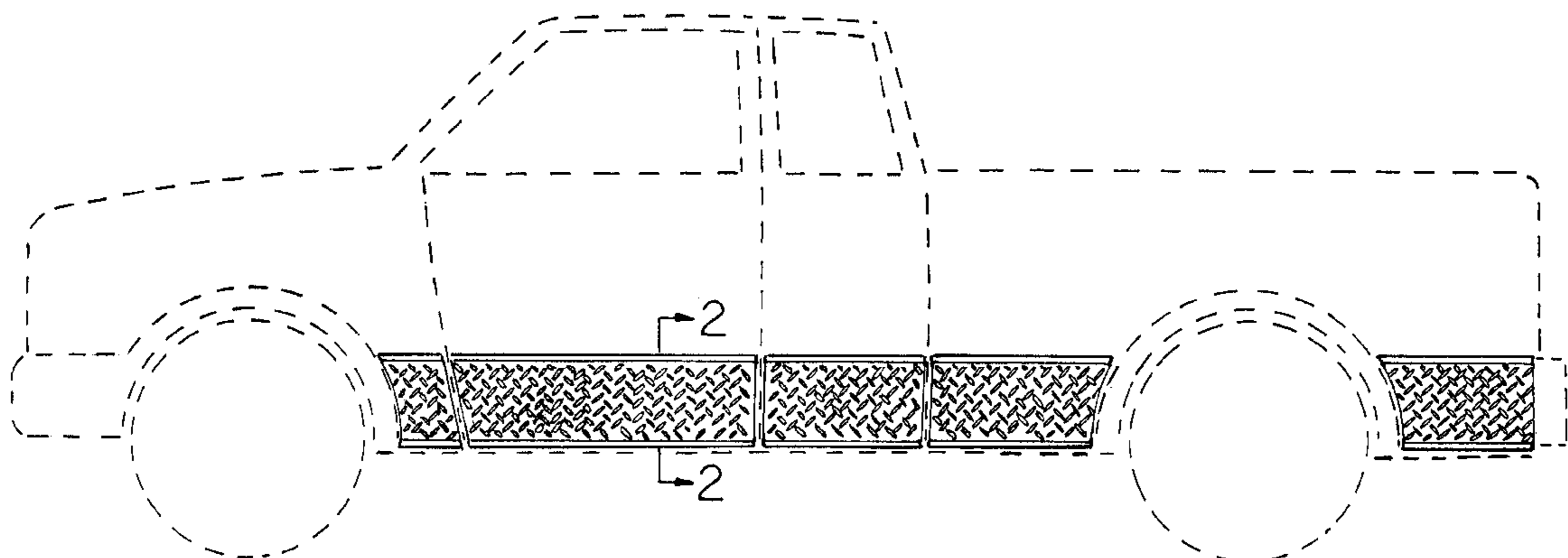
The ornamental design for a decorative rocker panel, as shown and described.

DESCRIPTION

FIG. 1 is a front elevational view of a decorative rocker panel showing my new design; and, FIG. 2 is a sectional view thereof taken along lines 2—2 of FIG. 1.

The broken lines represent the environment in which the invention is used and form no part of the claimed invention.

1 Claim, 1 Drawing Sheet



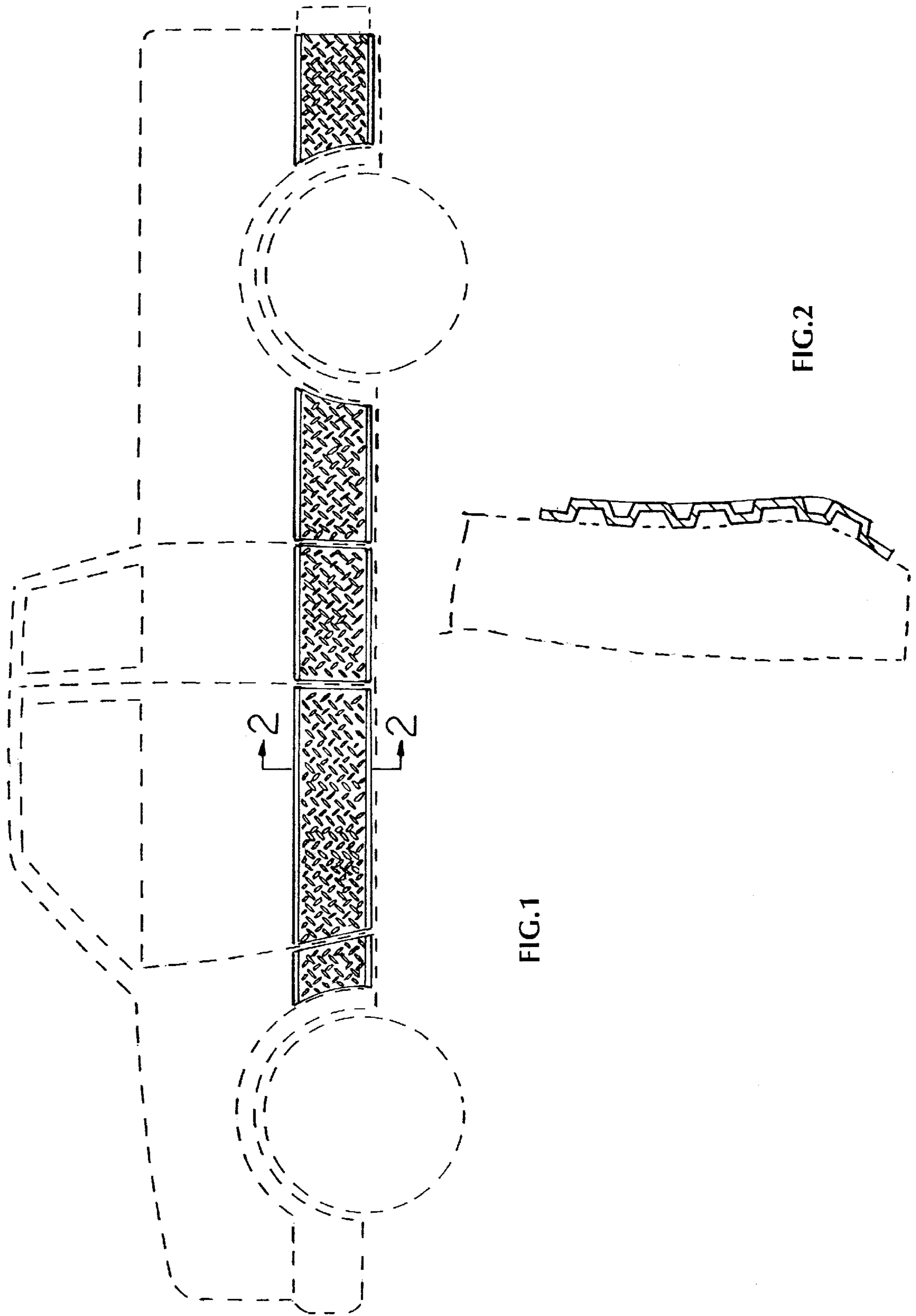


FIG.1

FIG.2