



US00D438493S

(12) **United States Design Patent**
Mulliniks et al.

(10) **Patent No.:** **US D438,493 S**

(45) **Date of Patent:** **** Mar. 6, 2001**

(54) **TRAILER HITCH PROTECTOR**

(76) Inventors: **Craig Mulliniks**, 1315 Gaywinds Dr., Mount Juliet, TN (US) 37122; **Gregory B. Taylor**, 660 Bell Rd. Apt. 1610, Antioch, TN (US) 37013; **Michael Y. Gant**, 10996 Rials Rd., Bon Aqua, TN (US) 37025

(**) Term: **14 Years**

(21) Appl. No.: **29/123,375**

(22) Filed: **May 17, 2000**

(51) **LOC (7) Cl.** **12-16**

(52) **U.S. Cl.** **D12/162**

(58) **Field of Search** D12/162, 400, D12/197, 214; D15/4; D9/307, 441, 451, 310; D29/106; 211/14; 280/477, 490.1, 507, 511

(56) **References Cited**

U.S. PATENT DOCUMENTS

- D. 272,357 * 1/1984 Hall et al. D15/4
- D. 317,890 7/1991 Bachmann D12/162
- D. 323,508 * 1/1992 Hirshberg et al. D15/4
- D. 332,265 * 1/1993 Osumi D15/4
- D. 392,926 * 3/1998 Adelaar D12/162
- D. 401,194 11/1998 Harwood D12/162
- D. 402,599 * 12/1998 Adelaar D12/162
- D. 403,684 * 1/1999 Oishi D15/4

- D. 404,349 * 1/1999 Julian D12/162
- D. 404,696 1/1999 Julian D12/162
- D. 409,537 * 5/1999 Adelaar D12/162
- D. 413,291 * 8/1999 Corns, Jr. D12/162
- D. 415,080 10/1999 Schultz D12/162
- D. 417,177 11/1999 Contreras D12/162
- D. 422,599 * 4/2000 Iekura D15/4
- D. 425,522 * 5/2000 Okamoto D15/4
- 4,738,293 4/1988 Ostrom et al. 150/52 R

* cited by examiner

Primary Examiner—Stacia Cadmus

(74) *Attorney, Agent, or Firm*—Bernstein & Associates; Jason A. Bernstein; John W. Greenwald

(57) **CLAIM**

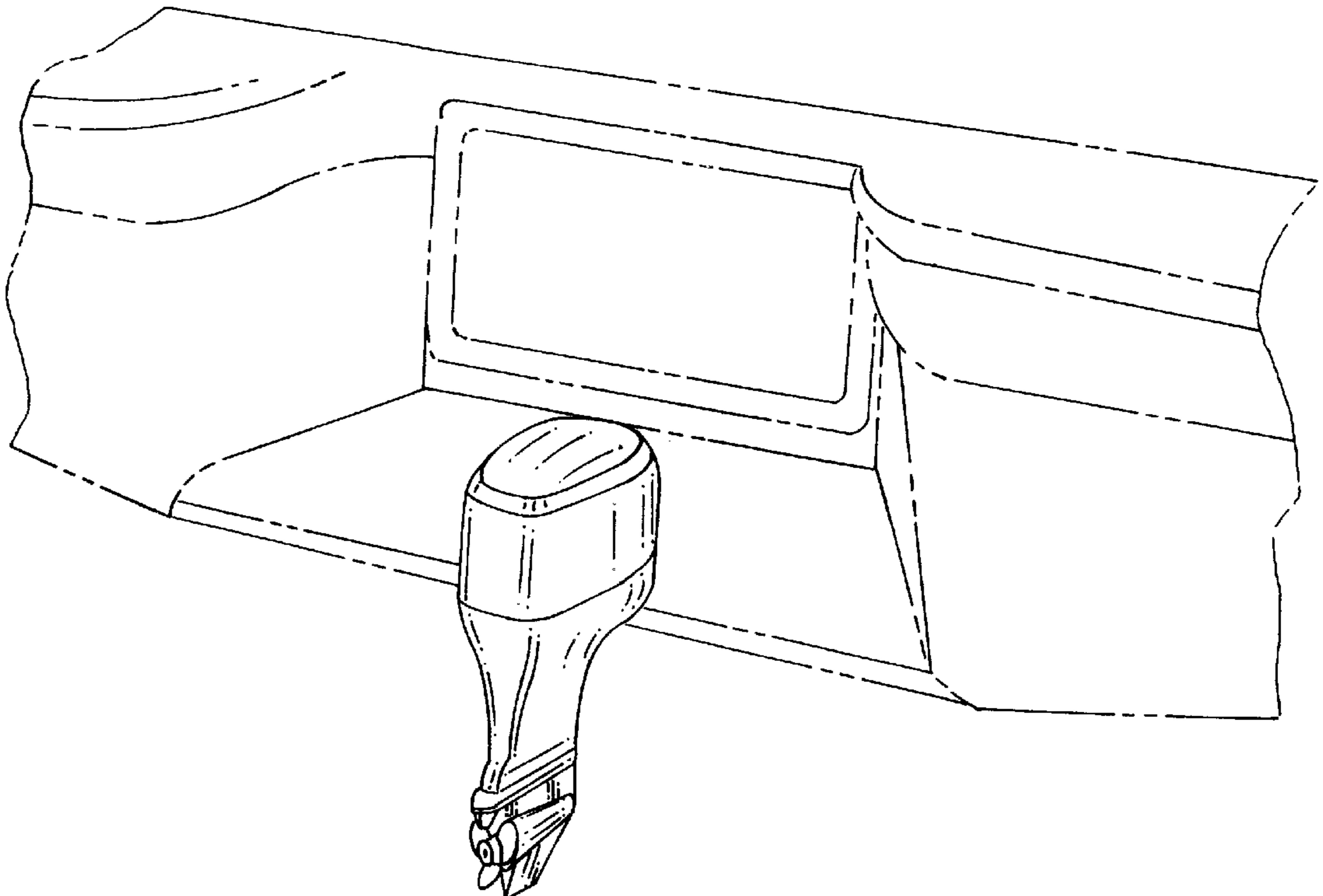
The ornamental design for a trailer hitch protector, as shown and described.

DESCRIPTION

FIG. 1 is a perspective view of a trailer hitch protector, showing our new design, shown in its position of use; FIG. 2 is an enlarged right side elevation view thereof; FIG. 3 is an enlarged rear side elevation view thereof; FIG. 4 is an enlarged front side elevation view thereof; FIG. 5 is an enlarged left side elevation view thereof; FIG. 6 is an enlarged top plan view thereof; and, FIG. 7 is an enlarged bottom plan view thereof.

The broken line showing of environment is for illustrative purposes only and forms no part of the claimed design.

1 Claim, 3 Drawing Sheets



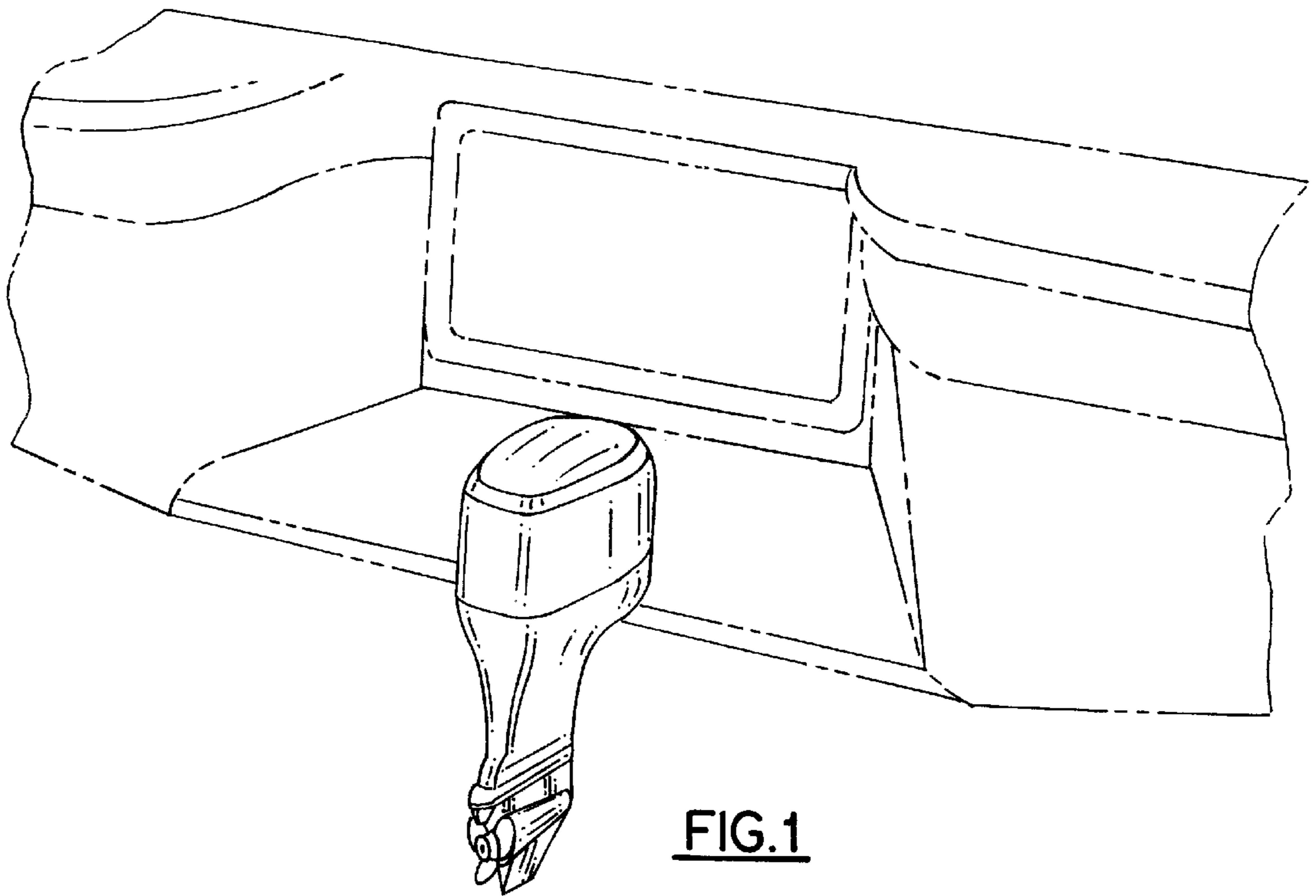


FIG.1

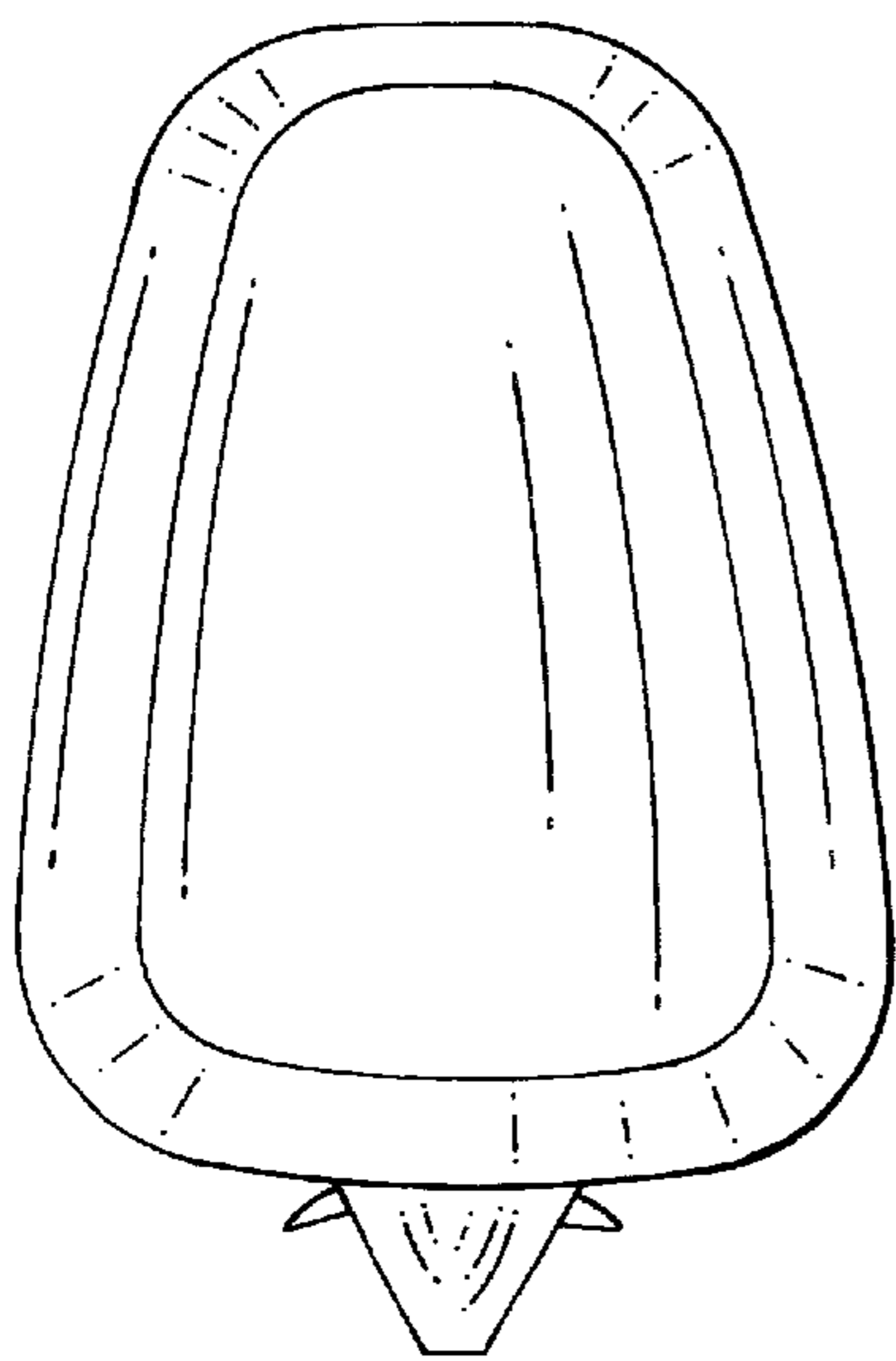


FIG.6

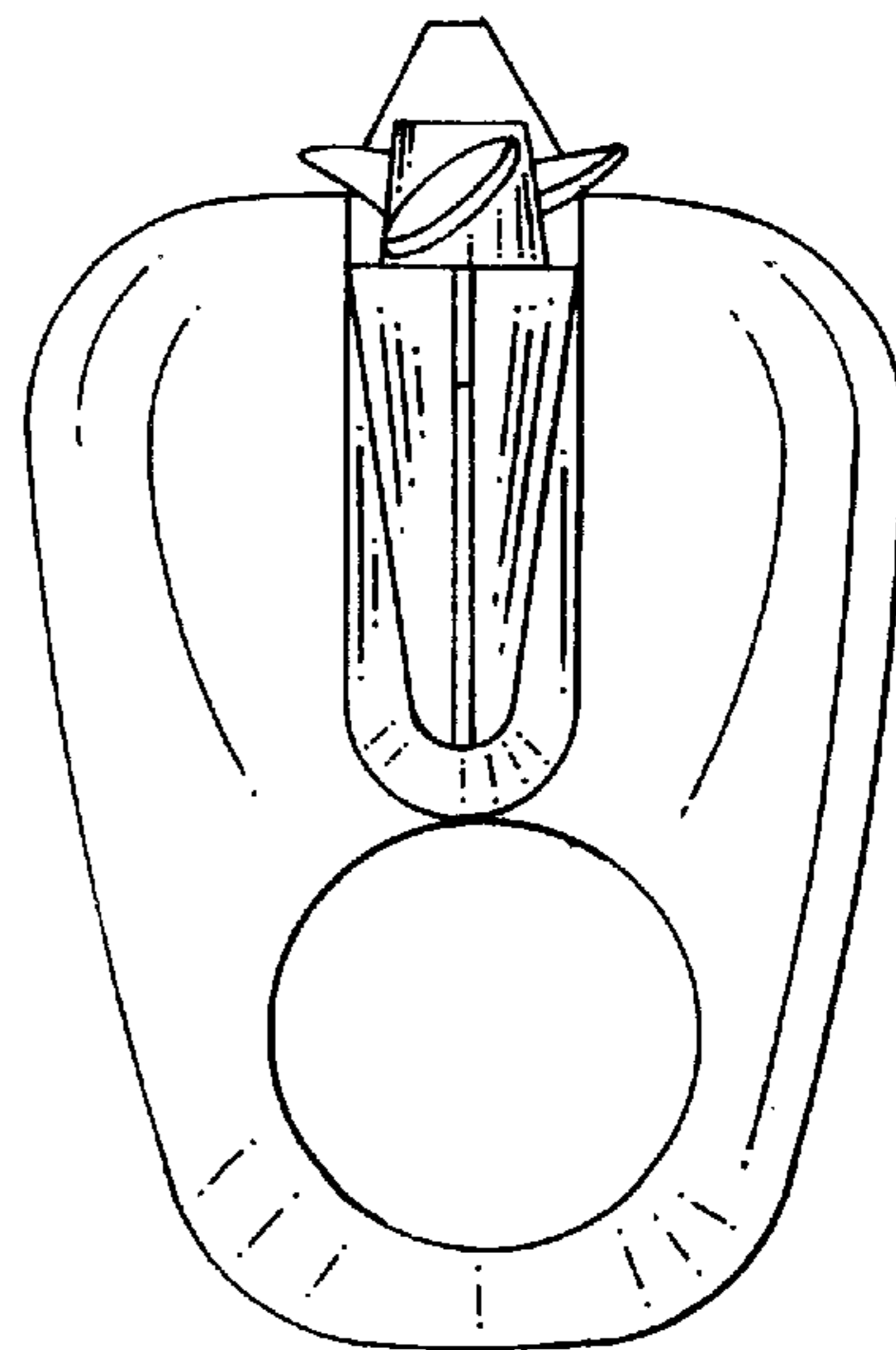


FIG.7

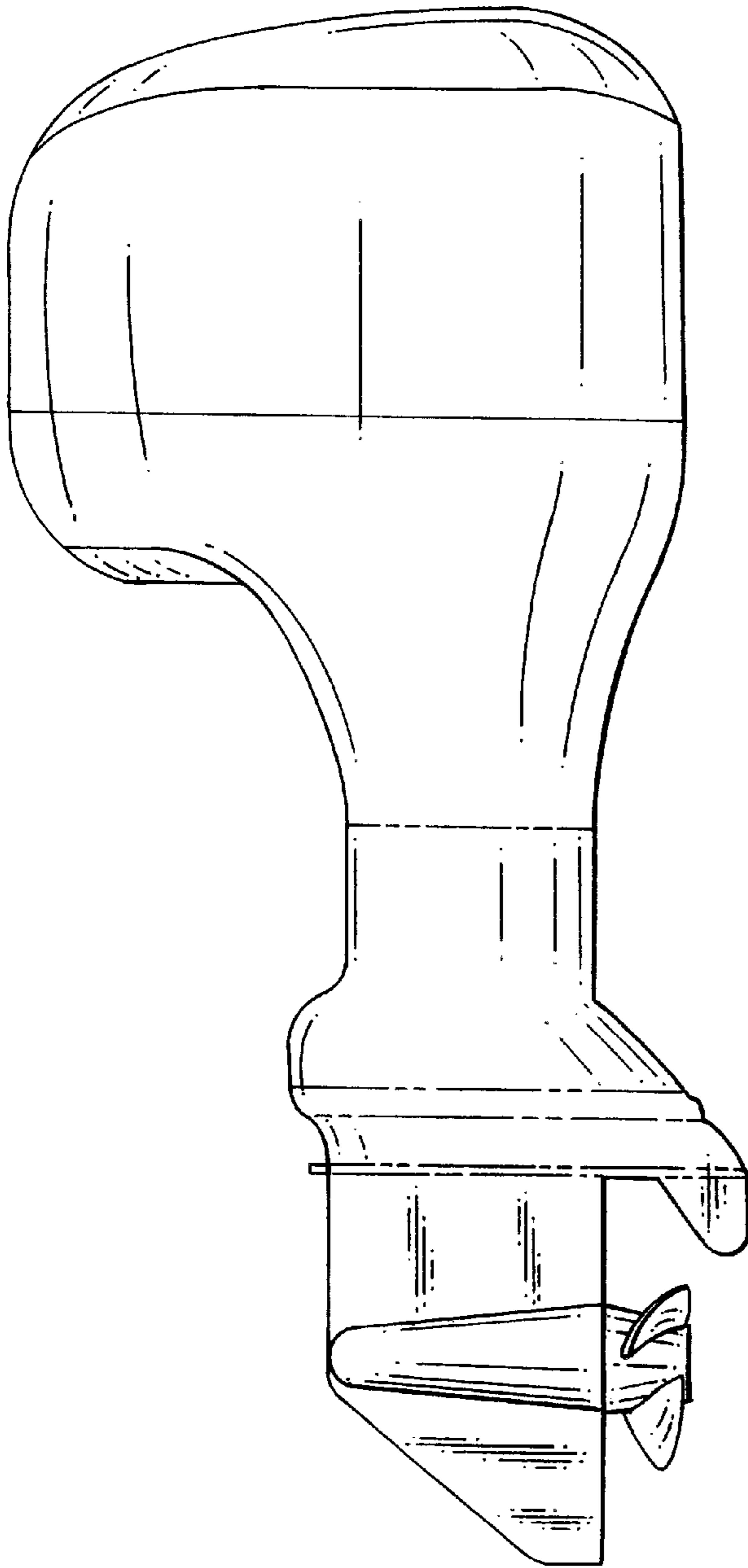


FIG. 2

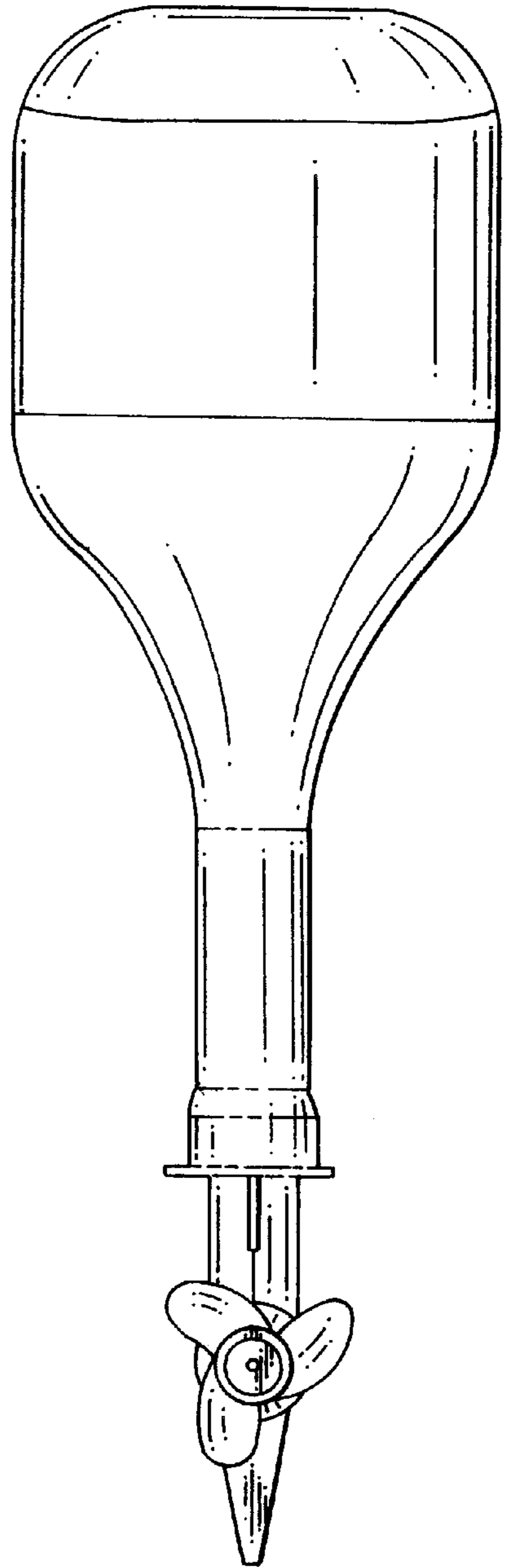


FIG. 3

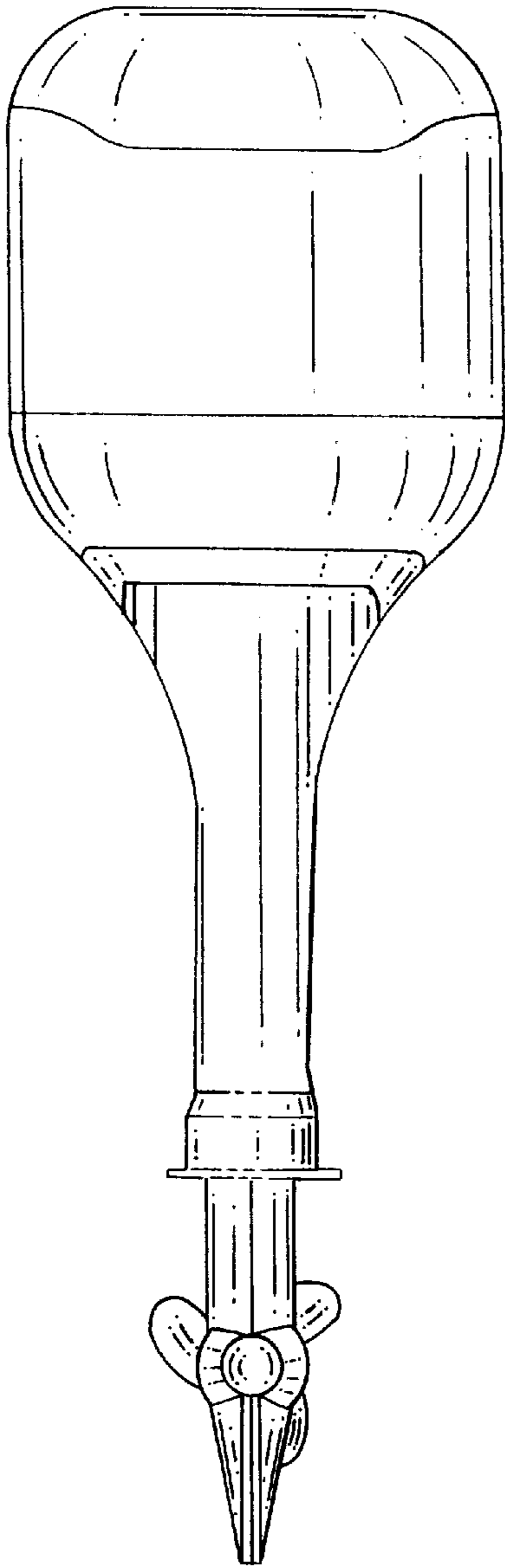


FIG.4

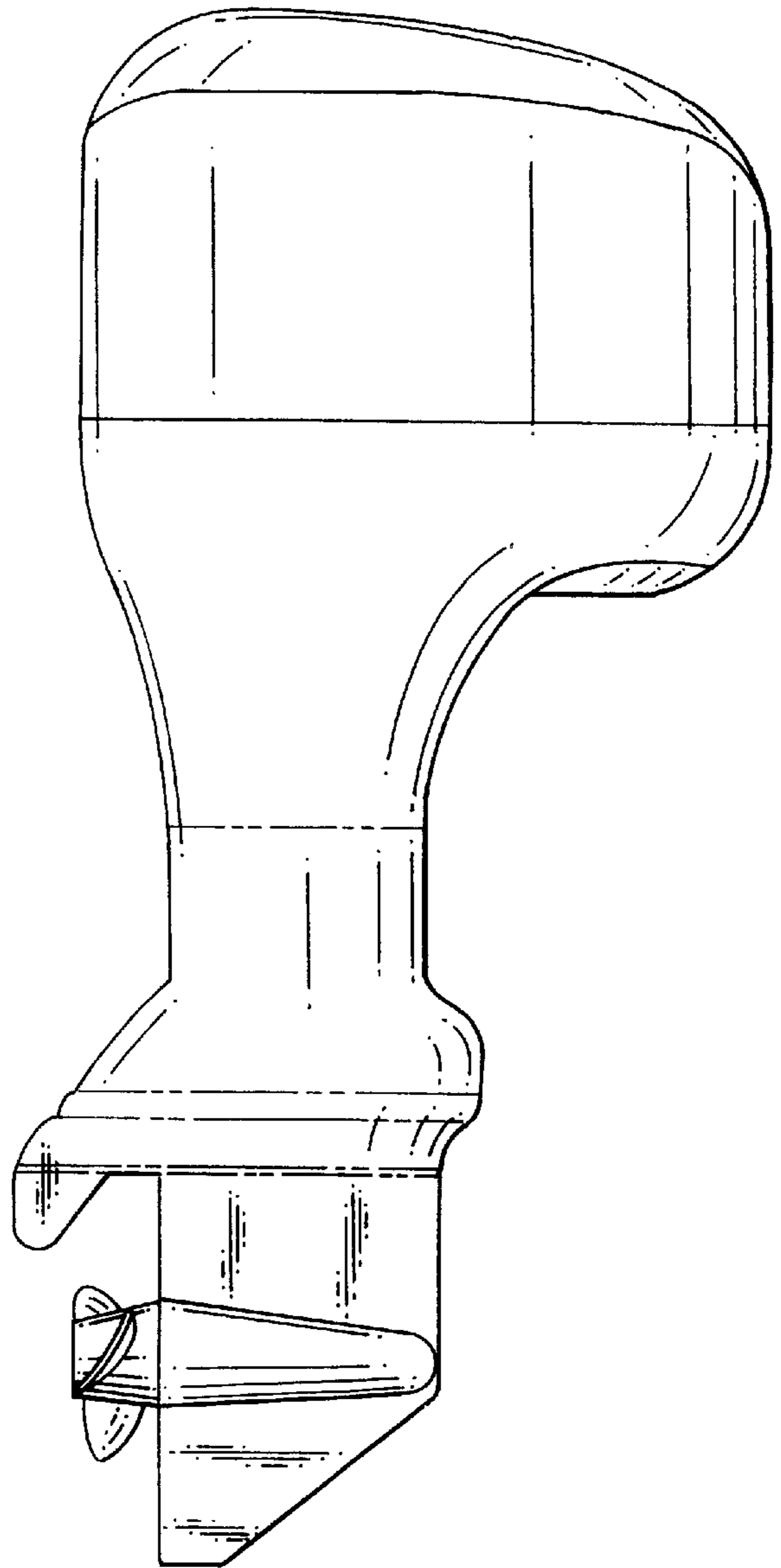


FIG.5