



US00D438492S

(12) **United States Design Patent**  
**Nishihata et al.**

(10) **Patent No.:** **US D438,492 S**

(45) **Date of Patent:** **\*\* Mar. 6, 2001**

(54) **AUTOMOBILE**

D. 408,328 \* 4/1999 Ayoub ..... D12/92  
D. 419,487 \* 1/2000 Schnelder et al. .... D12/92

(75) Inventors: **Saburo Nishihata; Harumi Okano,**  
both of Wako (JP); **Ricky Hsu,**  
Torrance, CA (US)

\* cited by examiner

(73) Assignee: **Honda Giken Kogyo Kabushiki**  
**Kaisha, Tokyo (JP)**

*Primary Examiner*—Melody N. Brown  
(74) *Attorney, Agent, or Firm*—Arent Fox Kintner Plotkin  
& Kahn, PLLC

(\*\*) Term: **14 Years**

(57) **CLAIM**

(21) Appl. No.: **29/108,482**

The ornamental design for, an automobile, as shown and described.

(22) Filed: **Jul. 29, 1999**

**DESCRIPTION**

(51) **LOC (7) Cl.** ..... **12-08**

FIG. 1 is a front perspective view of an automobile, showing my new design;

(52) **U.S. Cl.** ..... **D12/92**

FIG. 2 is a rear perspective view thereof;

(58) **Field of Search** ..... D12/90-92; 296/185

FIG. 3 is a left side view thereof;

FIG. 4 is a right side view of thereof;

FIG. 5 is a front view thereof;

FIG. 6 is a rear view thereof; and,

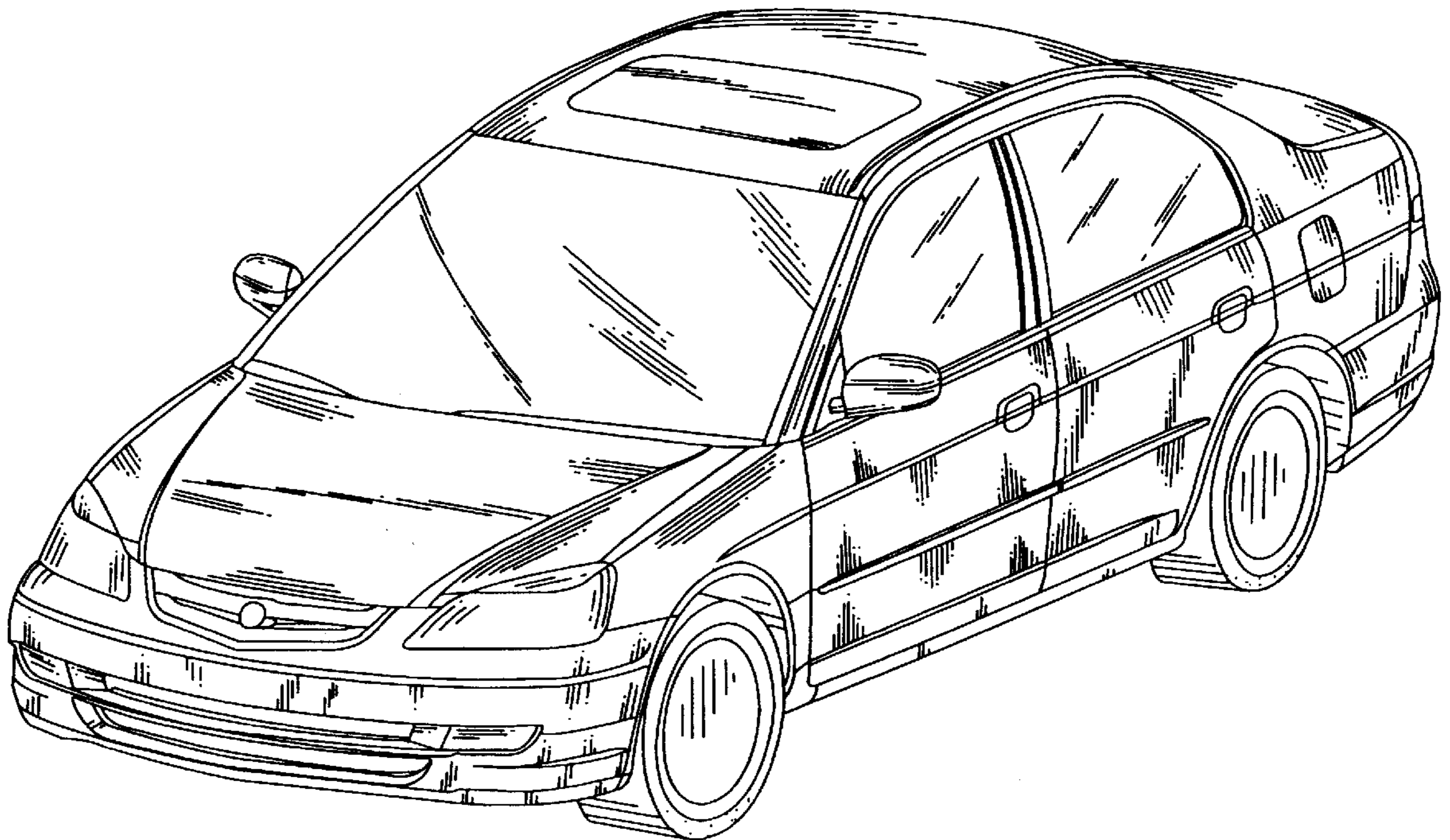
FIG. 7 is a top plan view thereof.

(56) **References Cited**

**U.S. PATENT DOCUMENTS**

D. 399,173 \* 10/1998 Herner ..... D12/92  
D. 402,232 \* 12/1998 Hayauchi et al. .... D12/92  
D. 402,595 \* 12/1998 Tamura ..... D12/92

**1 Claim, 6 Drawing Sheets**



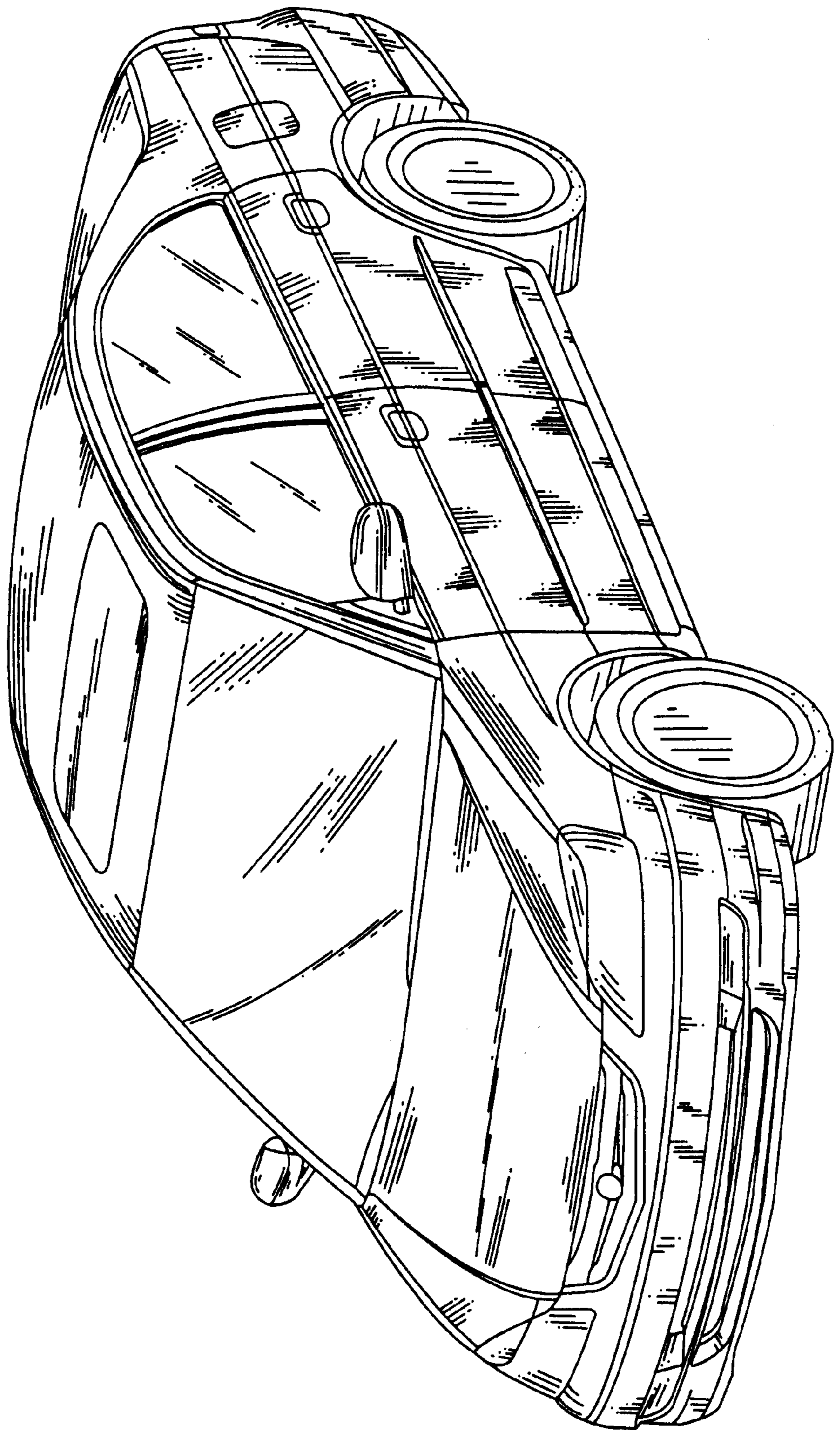


Fig.1

Fig.2

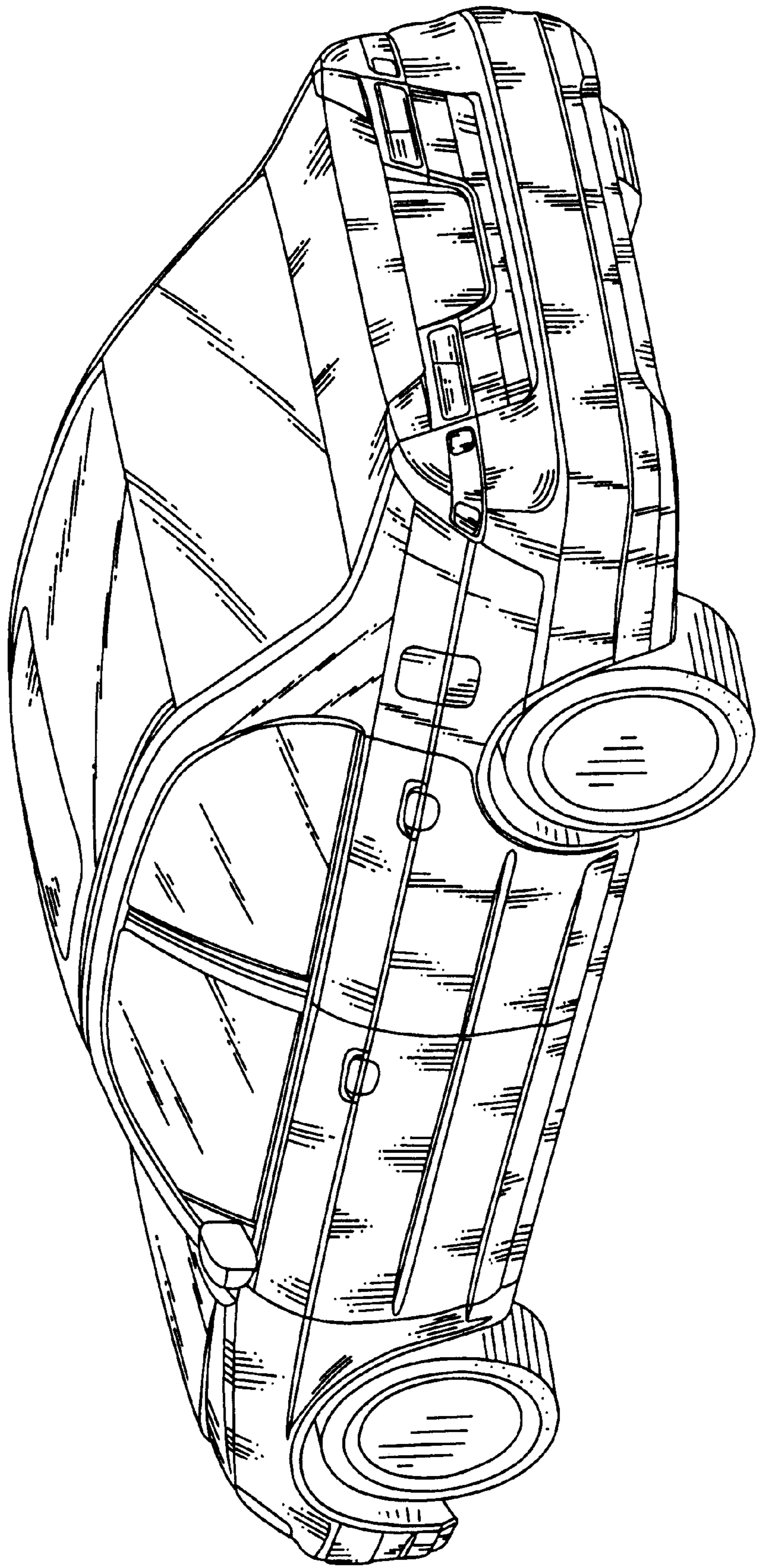


Fig.3

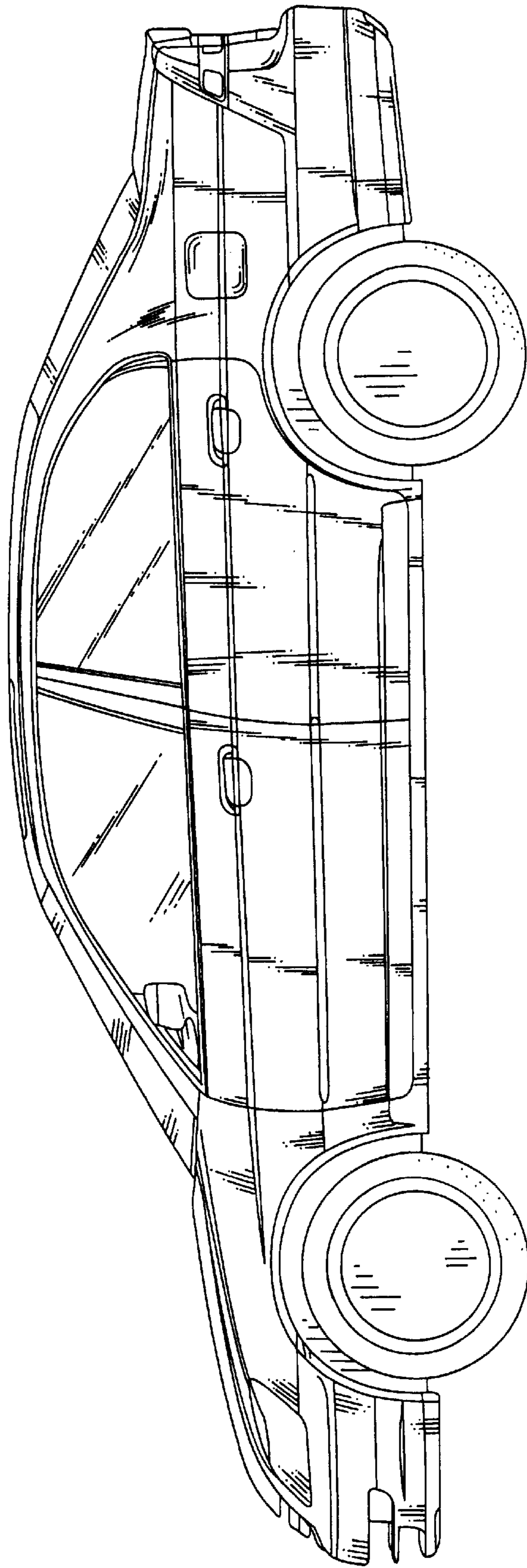


Fig.4

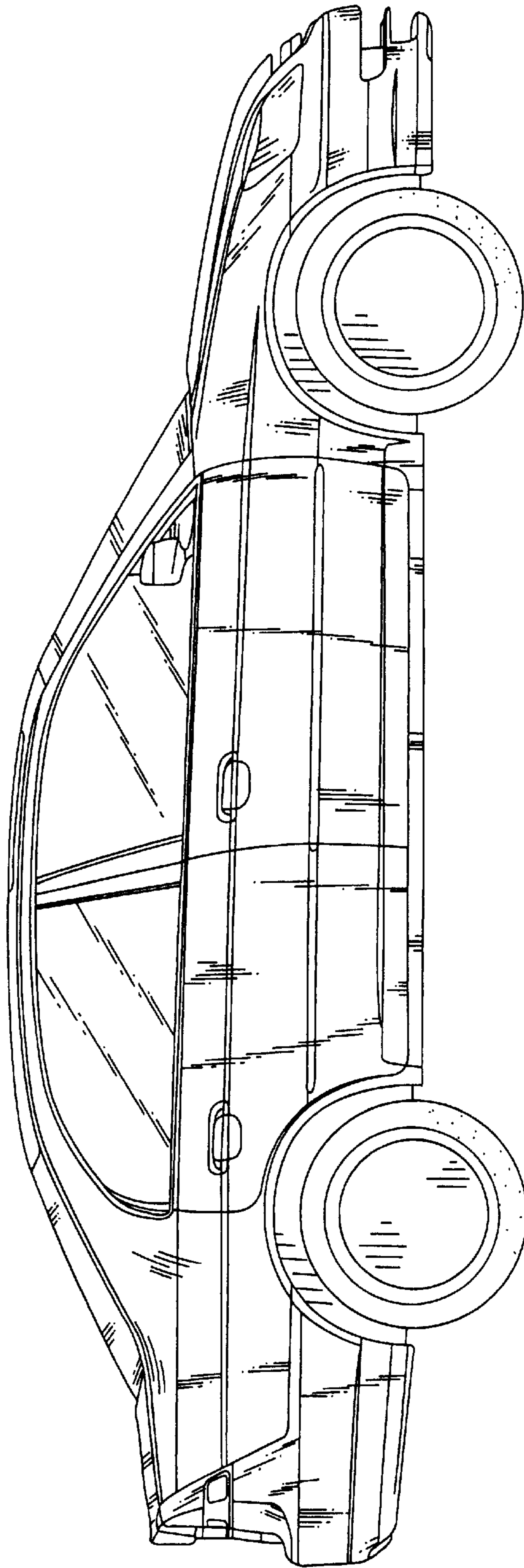


Fig.6

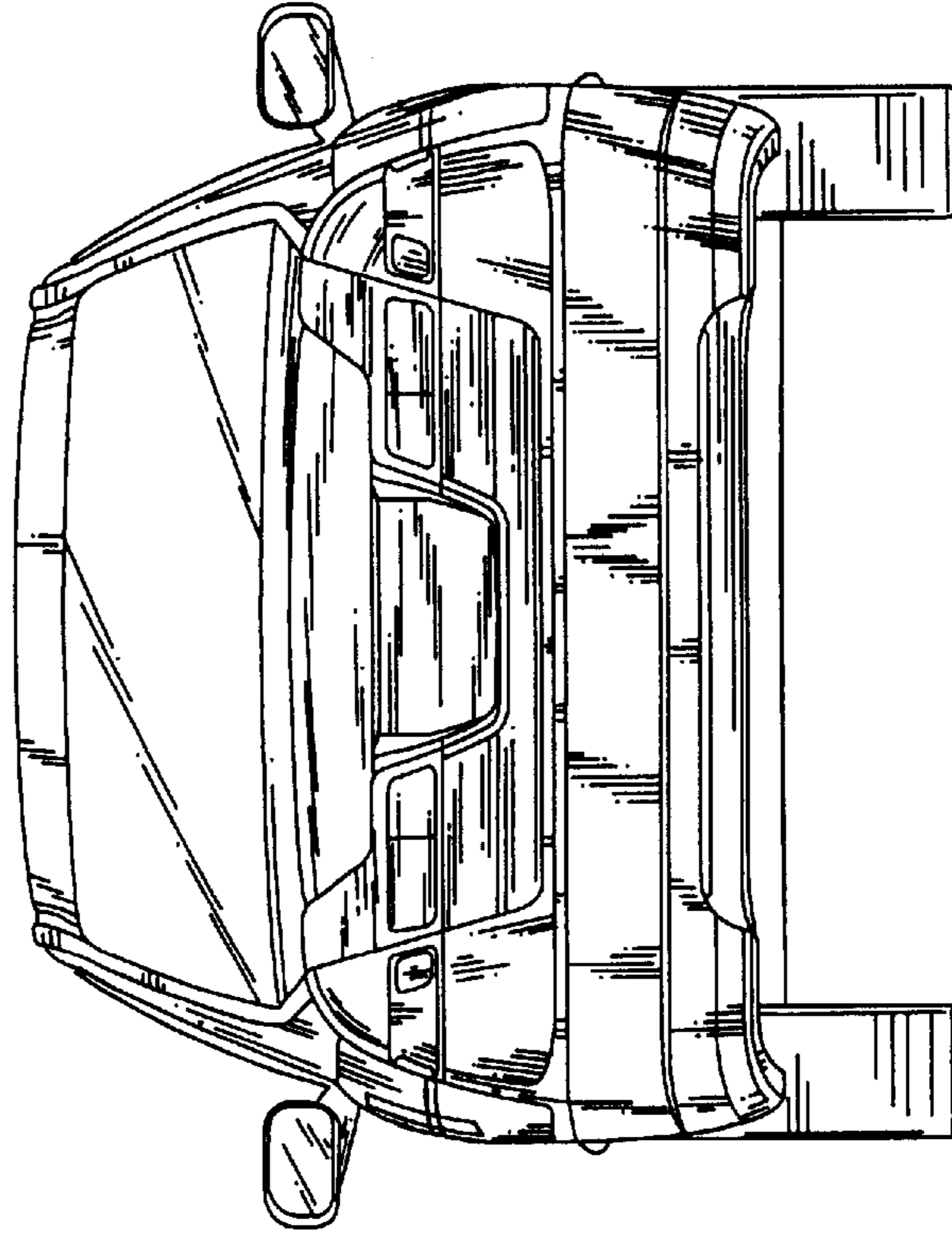


Fig.5

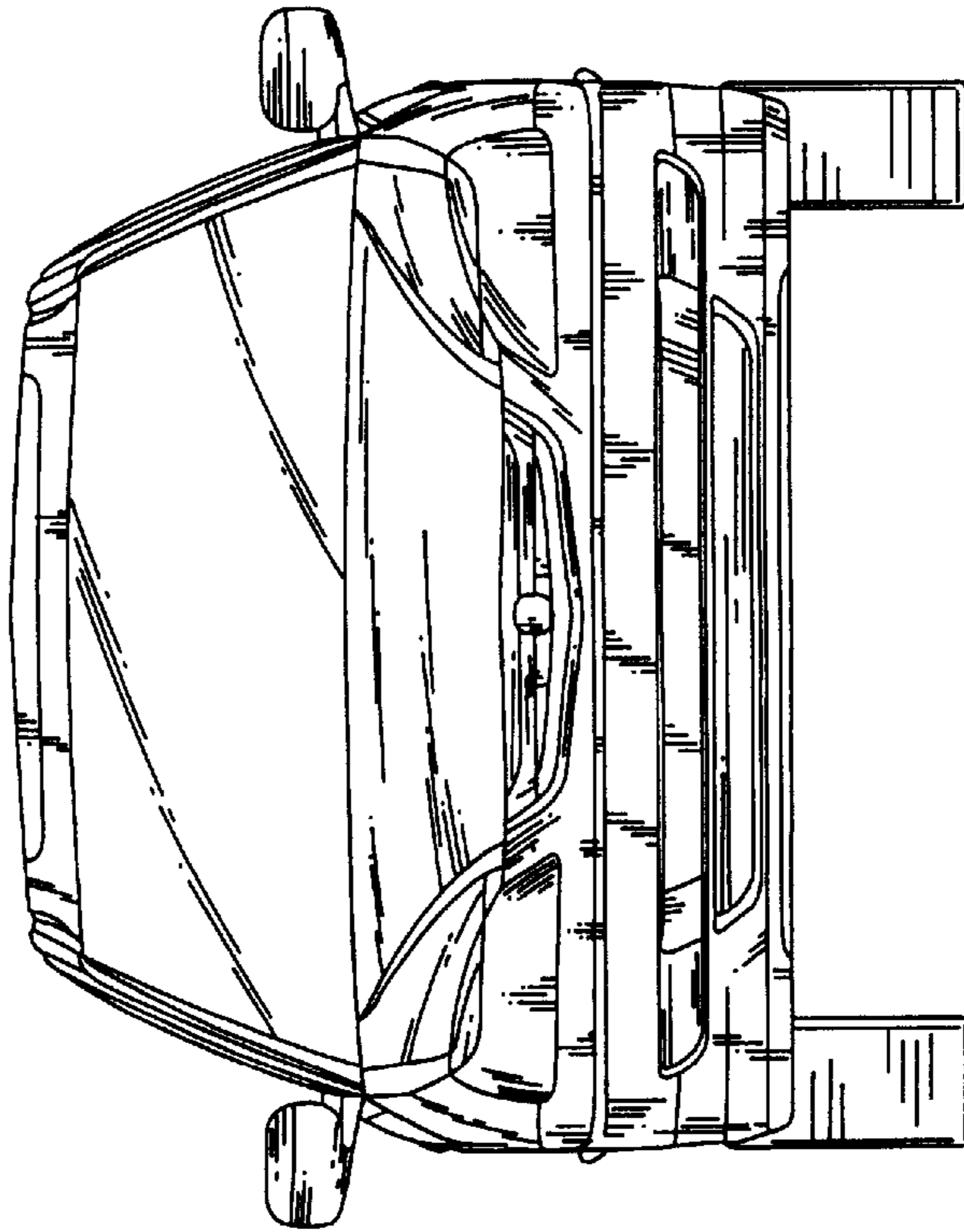


Fig.7

