



US00D438490S

(12) **United States Design Patent**  
**Akashi et al.**

(10) **Patent No.:** **US D438,490 S**

(45) **Date of Patent:** **\*\* Mar. 6, 2001**

(54) **MALE MEMBER OF SNAP BUTTON FOR WEAR**

2,687,159 \* 8/1954 Dobbs et al. .... 150/152  
3,210,820 \* 10/1965 Humiston ..... 24/35

(76) Inventors: **Shunji Akashi**, 67-3, Tateno;  
**Kiyomasa Segawa**, 403-3, Nakashin,  
both of Kurobe-shi, Toyama-ken (JP)

\* cited by examiner

*Primary Examiner*—Louis S. Zarfes  
*Assistant Examiner*—Catherine R. Oliver

(\*\*) Term: **14 Years**

(57) **CLAIM**

(21) Appl. No.: **29/104,982**

The ornamental design for male member of snap button for wear, substantially as shown and described.

(22) Filed: **May 14, 1999**

**DESCRIPTION**

(30) **Foreign Application Priority Data**

Dec. 25, 1998 (JP) ..... 10-38350

(51) **LOC (7) Cl.** ..... **02-07**

(52) **U.S. Cl.** ..... **D11/220**

(58) **Field of Search** ..... D11/200–211,  
D11/220; 24/35, 265 EEE; D8/382; 150/151,  
152

FIG. 1 is a front view of a male member of snap button for wear showing our new design;  
FIG. 2 is a top plan view thereof;  
FIG. 3 is a left side view thereof;  
FIG. 4 is a right side view thereof;  
FIG. 5 is an enlarged cross sectional view along line 5—5 of FIG. 4; and,  
FIG. 6 is an enlarged cross sectional view along line 6—6 of FIG. 4.

(56) **References Cited**

**U.S. PATENT DOCUMENTS**

- D. 303,641 \* 9/1989 Aoki ..... D11/220
- D. 403,952 \* 1/1999 Podell ..... D8/382
- D. 410,412 \* 1/1999 Tominaga et al. .... D11/220
- D. 415,717 \* 10/1999 Akashi ..... D11/220

The drawings show a part of the male member, and the male member is continuous longitudinally only.  
A rear view should be symmetrical with the front view and a bottom plan view should be identical with the top plan view.

**1 Claim, 1 Drawing Sheet**



FIG. 1

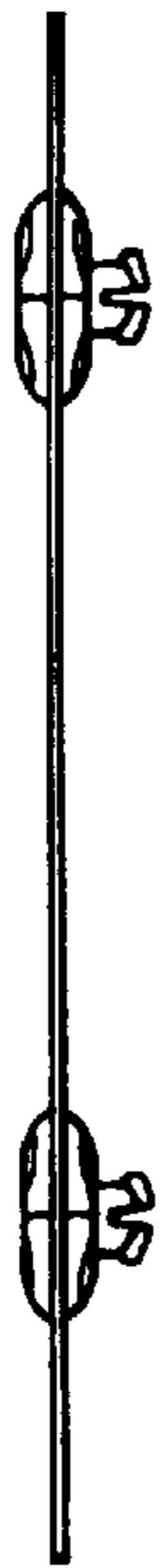


FIG. 3

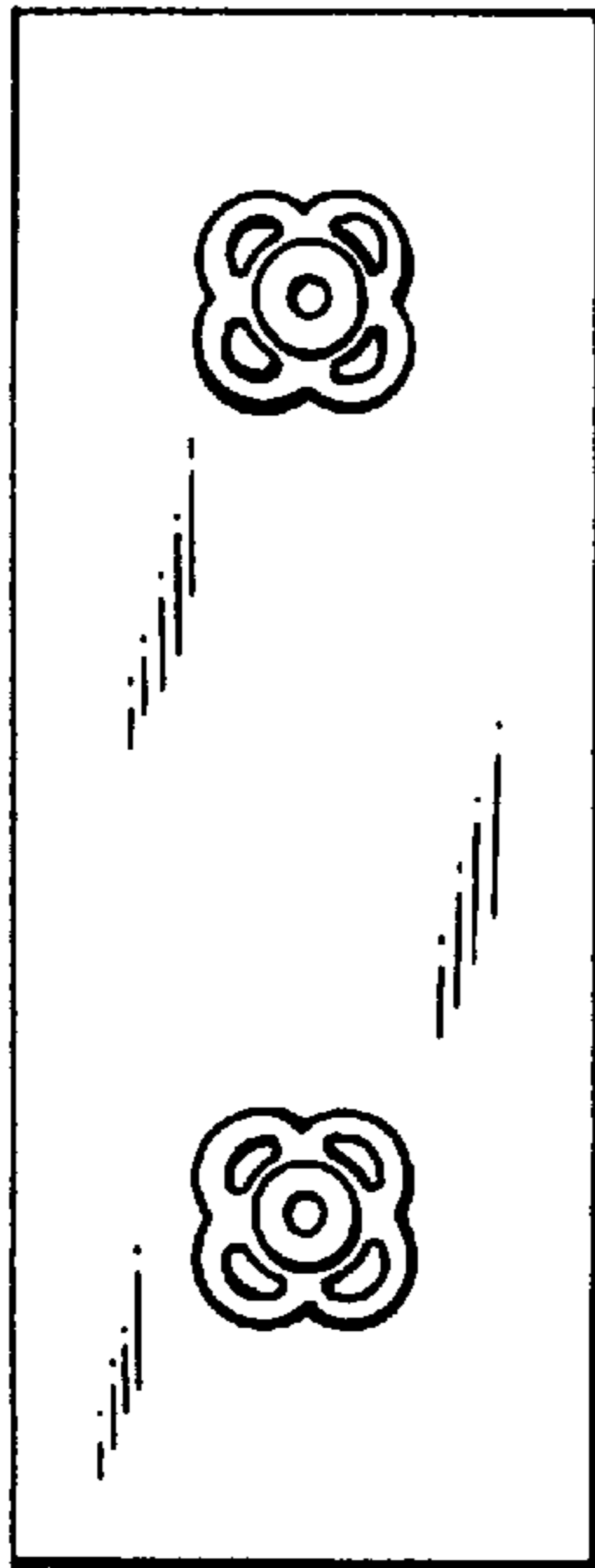


FIG. 4

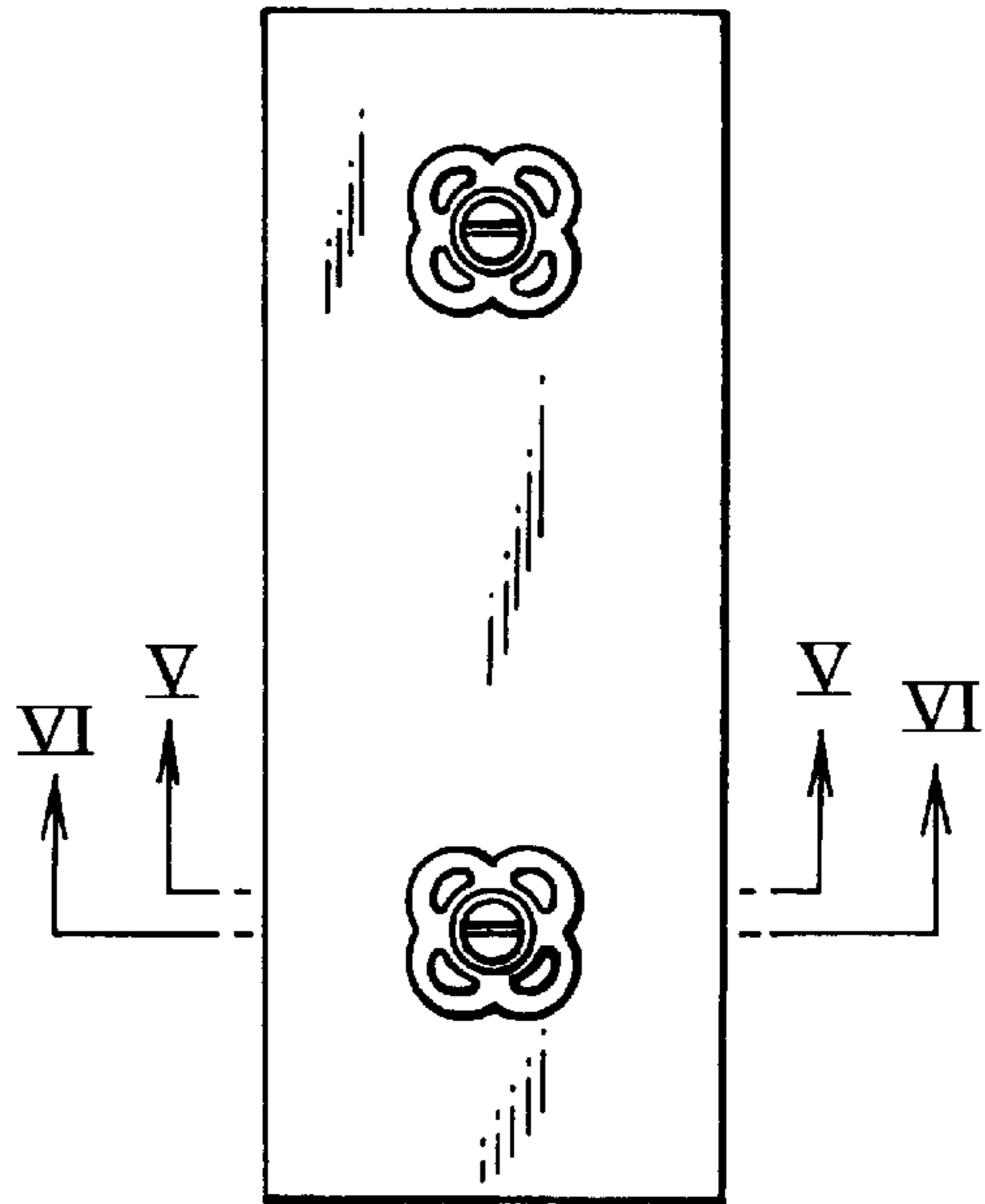


FIG. 2



FIG. 5

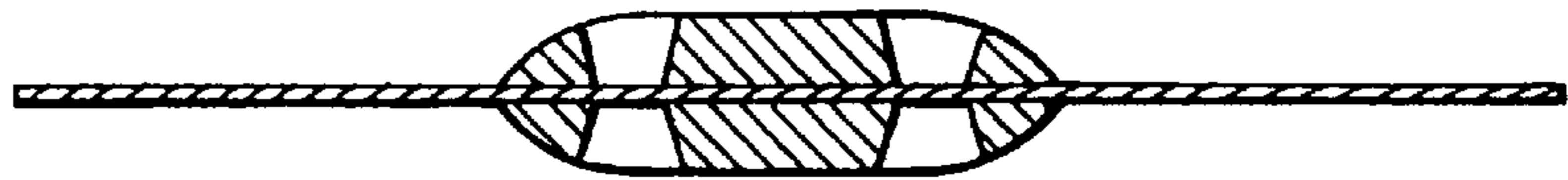


FIG. 6

