



US00D438487S

(12) **United States Design Patent**  
**Madden, IV**

(10) **Patent No.:** **US D438,487 S**

(45) **Date of Patent:** **\*\* Mar. 6, 2001**

(54) **HYDROPONIC PLANT CONTAINER PORTION**

(76) Inventor: **John E. Madden, IV**, 4847 Sulphur Well Rd., Nicholasville, KY (US) 40356

(\*\*) Term: **14 Years**

(21) Appl. No.: **29/113,751**

(22) Filed: **Nov. 10, 1999**

(51) **LOC (7) Cl.** ..... **11-02**

(52) **U.S. Cl.** ..... **D11/156**

(58) **Field of Search** ..... D11/143, 144, D11/145, 155, 156; 47/39, 65.5, 66.1, 66.5-66.6, 41.01, 67, 68, 69, 73; 206/423; 220/62, 521, 801, 507, 23.4; 248/27.8; 215/228; D9/432

(56) **References Cited**

**U.S. PATENT DOCUMENTS**

- D. 313,936 \* 1/1991 Ferrero ..... D9/432
- D. 351,787 \* 10/1994 Hansen ..... D9/432
- 2,411,193 \* 11/1946 Cummins ..... 220/23.4
- 2,593,895 \* 4/1952 Kohl ..... 47/73
- 3,331,524 \* 7/1967 Wiley, Jr. .... 47/68
- 4,048,754 \* 9/1977 Laux ..... 47/68
- 4,753,036 \* 6/1988 Konno ..... 47/66.6
- 5,060,419 \* 10/1991 De Graaf et al. .... 47/66.5
- 5,511,687 \* 4/1996 Garrett, Jr. et al. .... 220/507

**FOREIGN PATENT DOCUMENTS**

- 45870 \* 1/1889 (DE) ..... 47/41.01

**OTHER PUBLICATIONS**

American Hydroponics, "American Hydroponics," Veg-i-Table Data Sheet, (Oct. 21, 1999).

American Hydroponics, "American Hydroponics," NFT Wall Garden Data Sheet, (Oct. 26, 1999).

American Hydroponics, "American Hydroponics," Baby Bloomer Garden Instructions (Perlite) Data Sheet, (Oct. 1, 1999).

General Hydroponics, "General Hydroponics," AeroFlo 24 Booklet, undated.

General Hydroponics, "AeroFlo 2 30," undated.

Sea of Green, "Urban Garden Systems," Jet Series Modular Hydroponic Systems, undated.

General Hydroponics, "The Systems The Technology," Aero-Hydroponics The Method of the Future, (Jul. 27, 1999).

Plantower, "," Space Agriculture At Your Place , undated.

Hydrofarm, "Homegarden," Hydroponic Growing System, undated.

\* cited by examiner

*Primary Examiner*—Doris V. Coles

(74) *Attorney, Agent, or Firm*—King and Schickli PLLC

(57) **CLAIM**

The ornamental design for a hydroponic plant container portion, as shown and described.

**DESCRIPTION**

FIG. 1 is a perspective view of the hydroponic plant container portion in full line;

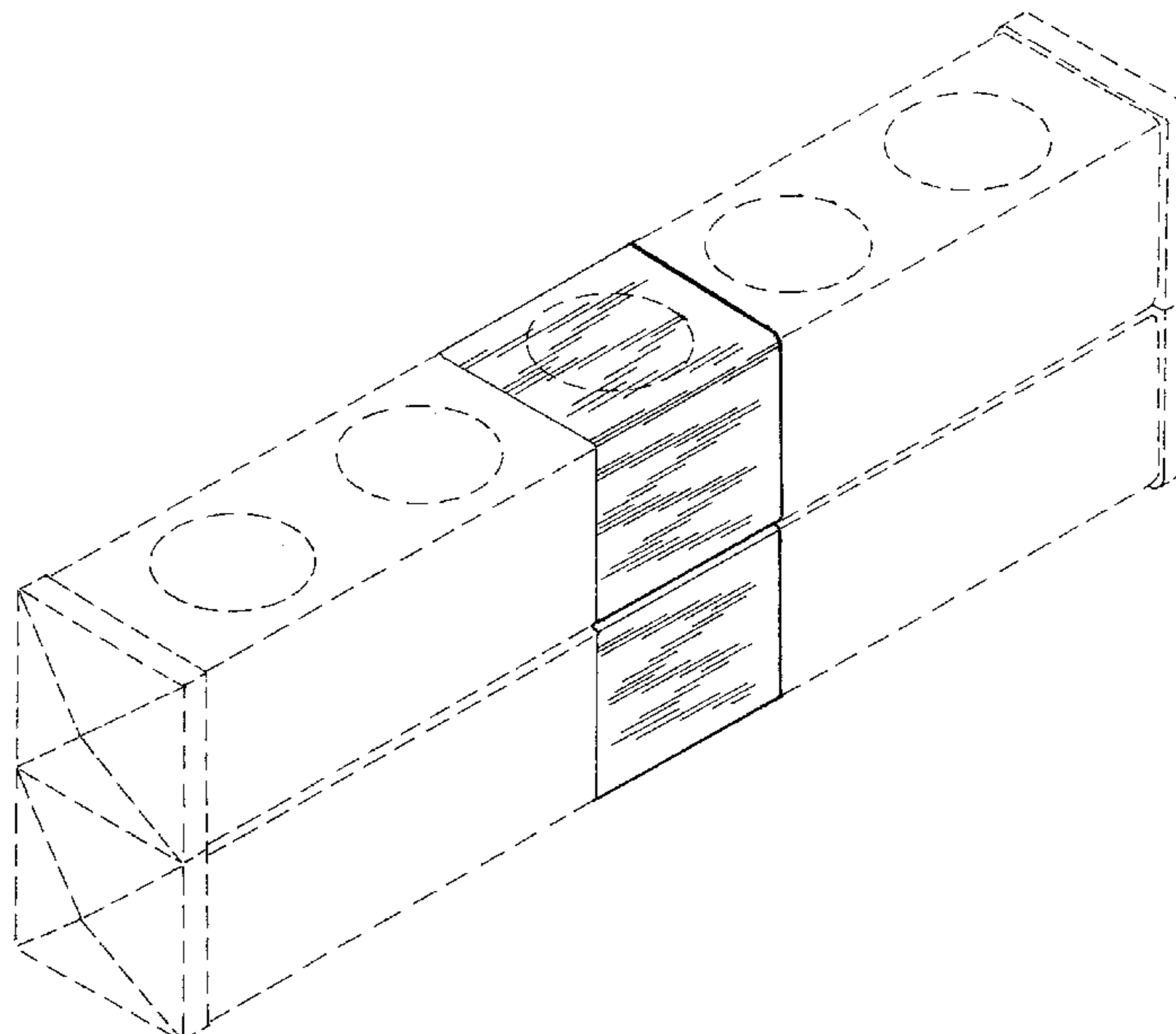
FIG. 2 is a front elevational view thereof, the rear elevational view being a mirror image thereof;

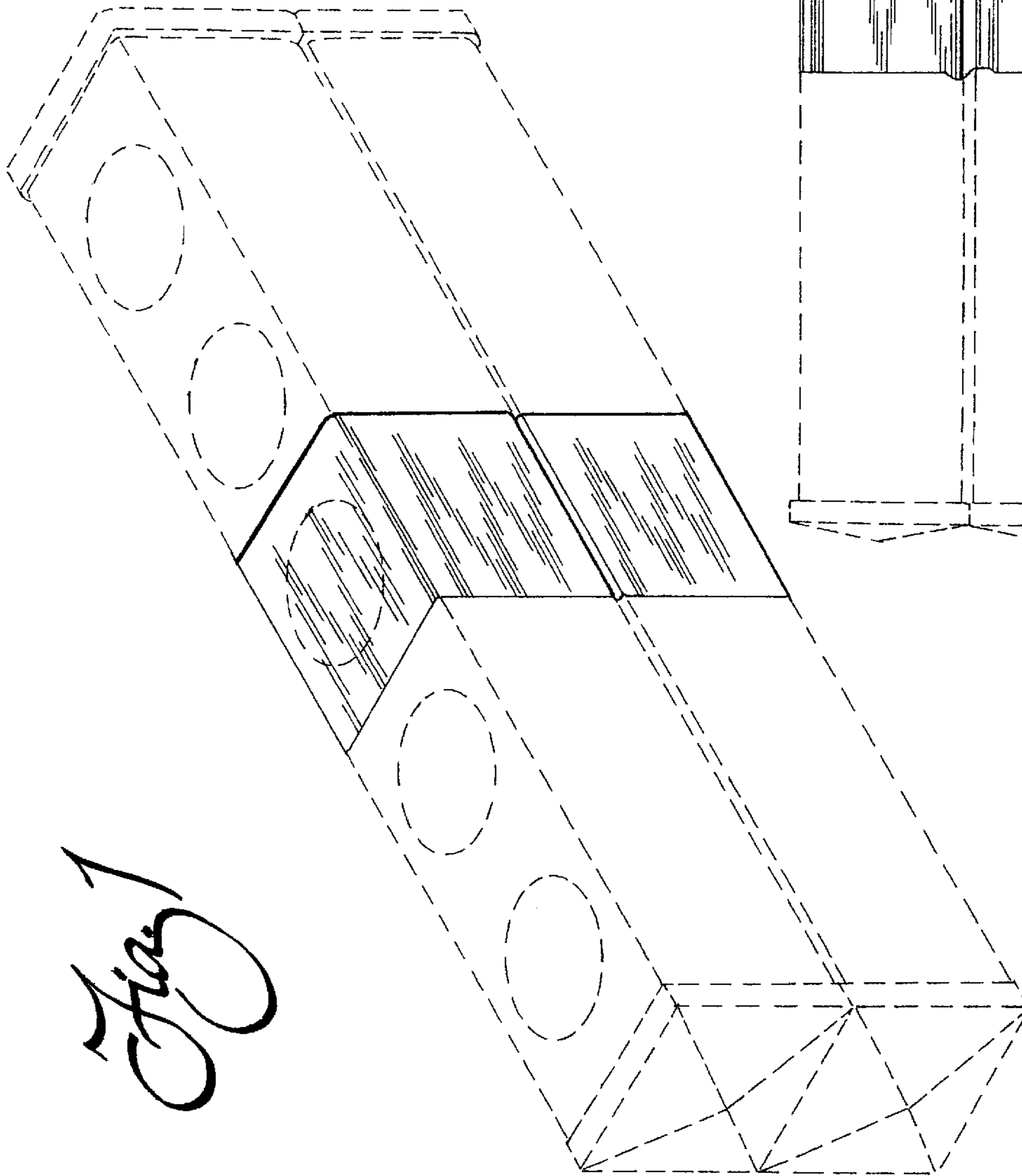
FIG. 3 is a top plan view thereof; and,

FIG. 4 is a bottom plan view thereof.

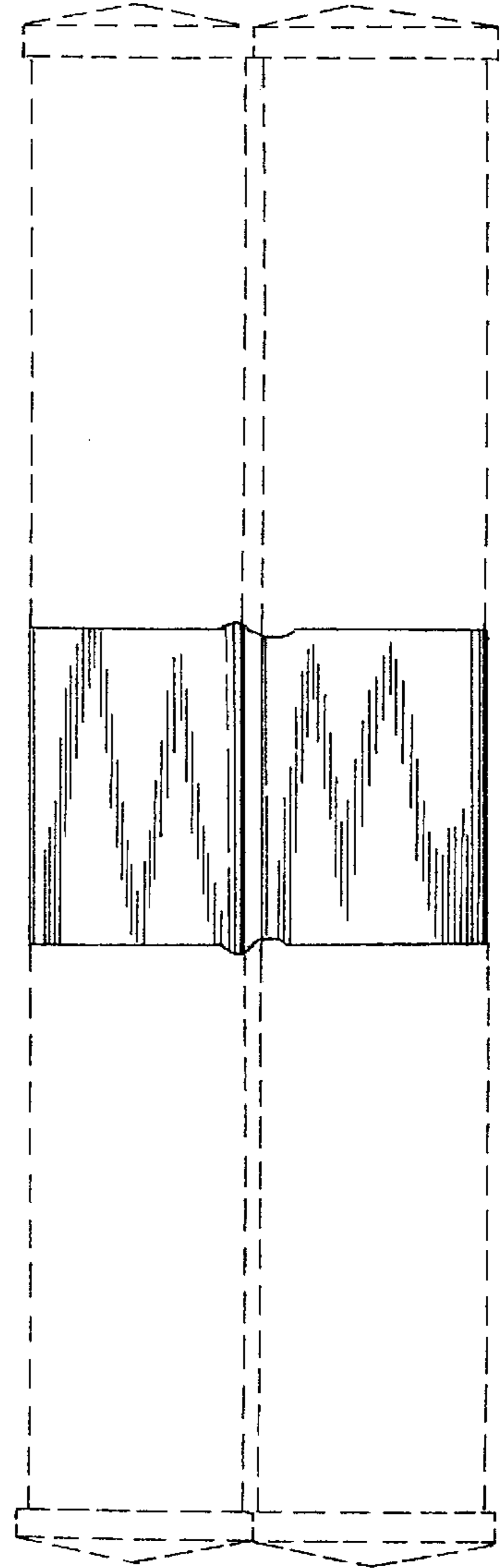
The broken line showing of portions of the hydroponic plant container is for illustrative purposes only and forms no part of the claimed design.

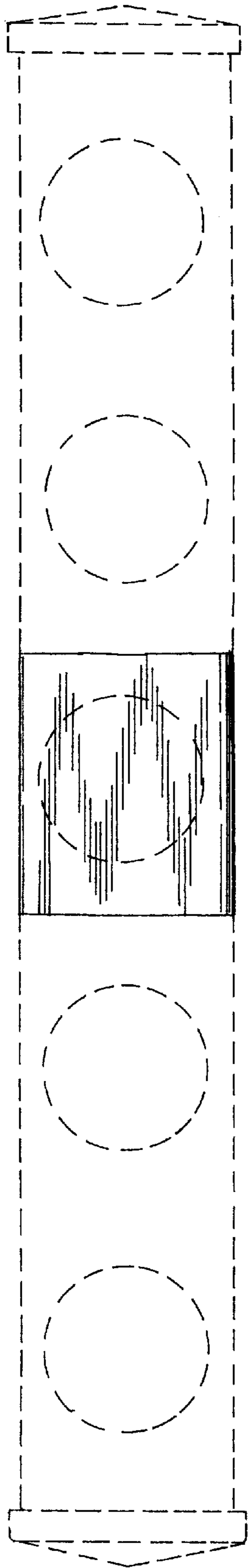
**1 Claim, 2 Drawing Sheets**



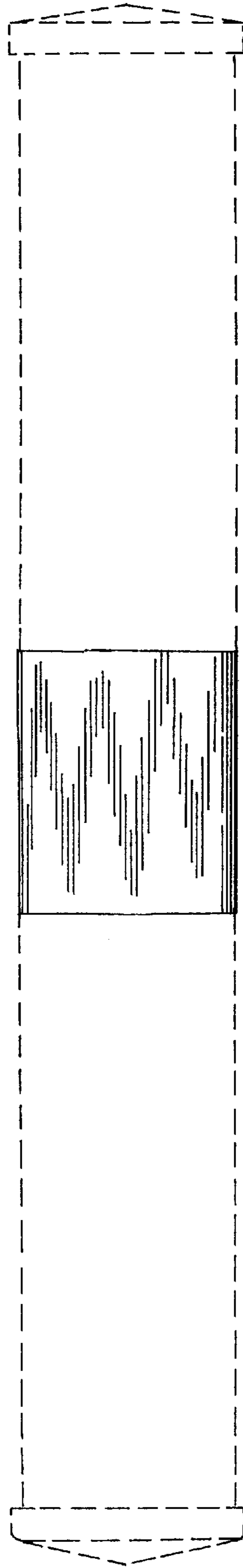


*Fig. 2*





*Fig. 23*



*Fig. 24*