



US00D438479S

(12) **United States Design Patent**
Goetz et al.

(10) **Patent No.:** **US D438,479 S**

(45) **Date of Patent:** **** Mar. 6, 2001**

(54) **MAGNETICALLY ACTUATED POSITION SENSOR**

D. 391,182 * 2/1998 Schneider et al. D10/104

* cited by examiner

(75) Inventors: **Ronald J. Goetz; Jeffrey D. Cummins; Thomas M. Moyer**, all of Freeport, IL (US)

Primary Examiner—Marcus A. Jackson
(74) *Attorney, Agent, or Firm*—Roland W. Norris

(73) Assignee: **Honeywell International Inc**, Morristown, NJ (US)

(57) **CLAIM**

The ornamental design for a magnetically actuated position sensor, as shown and described.

(**) Term: **14 Years**

DESCRIPTION

(21) Appl. No.: **29/105,828**

FIG. 1 is a right side top perspective view of the sensor, showing electrical leads in dashed outline as an environmental concomitant to the sensor;

(22) Filed: **Jun. 3, 1999**

FIG. 2 is rear elevation view of the sensor;

(51) **LOC (7) Cl.** **10-05**

(52) **U.S. Cl.** **D10/104**

FIG. 3 is a front elevation view of the sensor showing electrical leads in dashed outline;

(58) **Field of Search** D10/104, 106, D10/111, 114, 121; 340/906, 907, 908, 908.1, 909, 910, 911, 915

FIG. 4 is a top plan view of the sensor showing electrical leads in dashed outline;

FIG. 5 is a left side elevation view of the sensor; showing electrical leads in dashed outline; and,

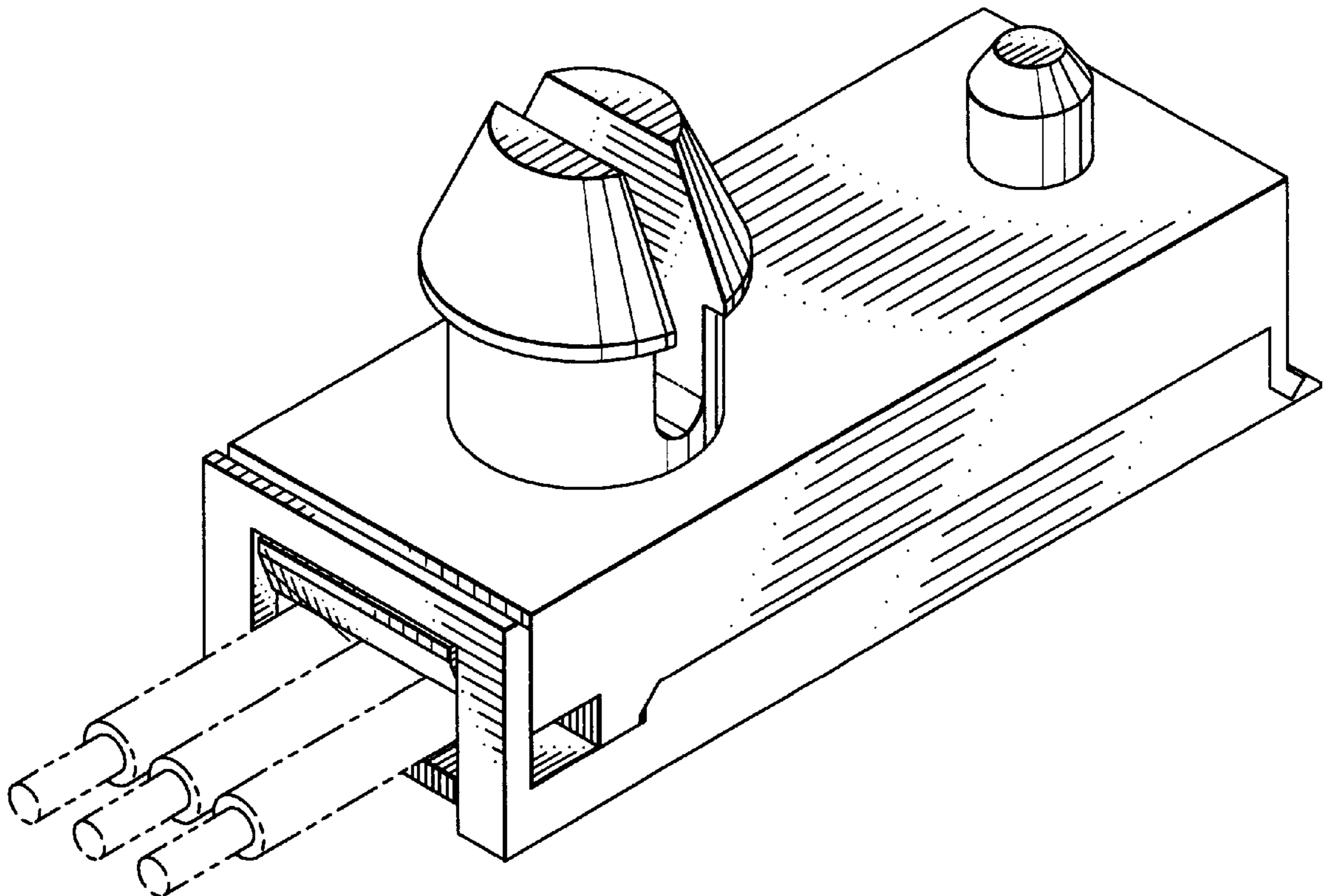
FIG. 6 is a bottom plan view of the sensor showing electrical leads in dashed outline.

(56) **References Cited**

U.S. PATENT DOCUMENTS

D. 358,561 * 5/1995 Webb et al. D10/104

1 Claim, 2 Drawing Sheets



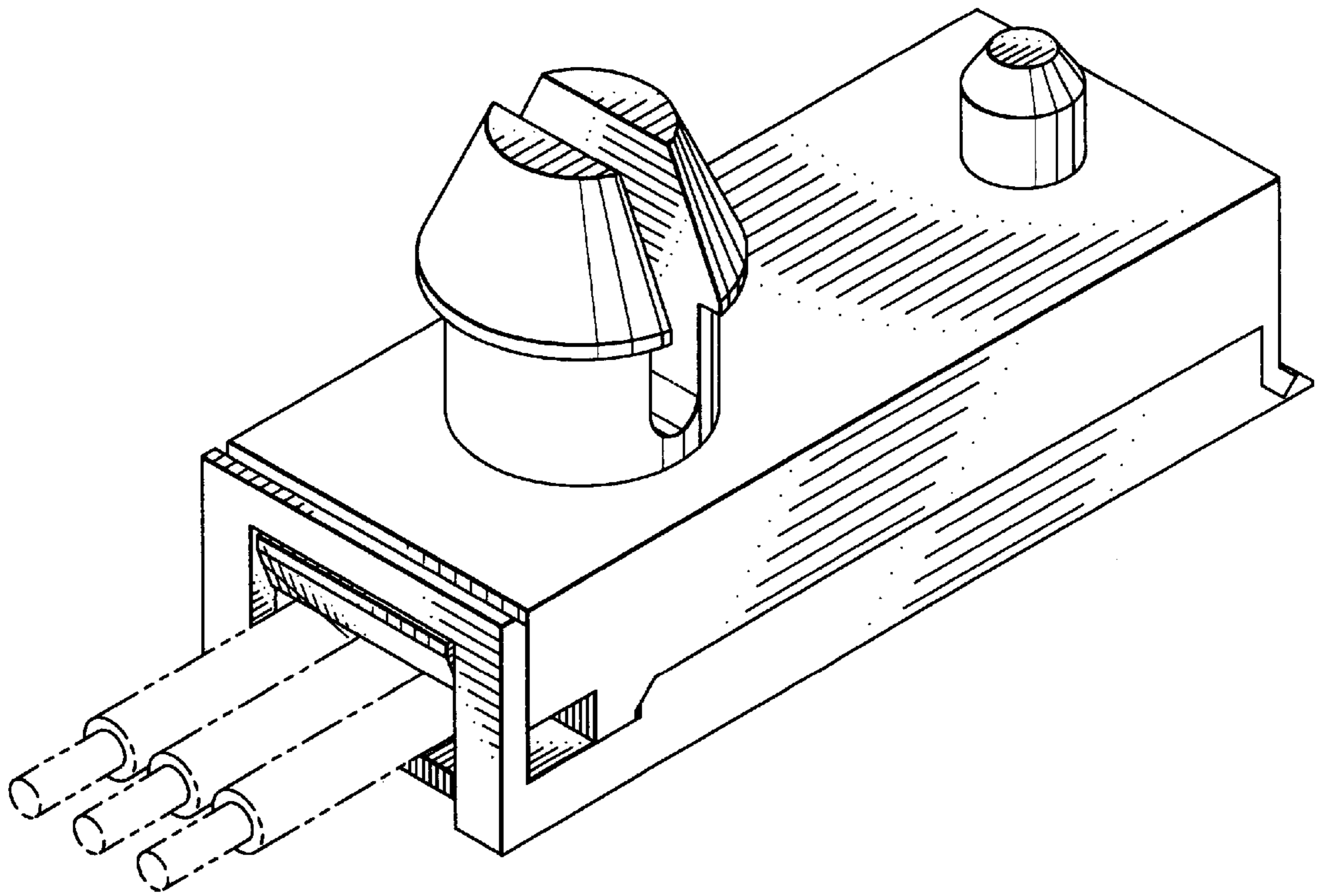


FIG. 1

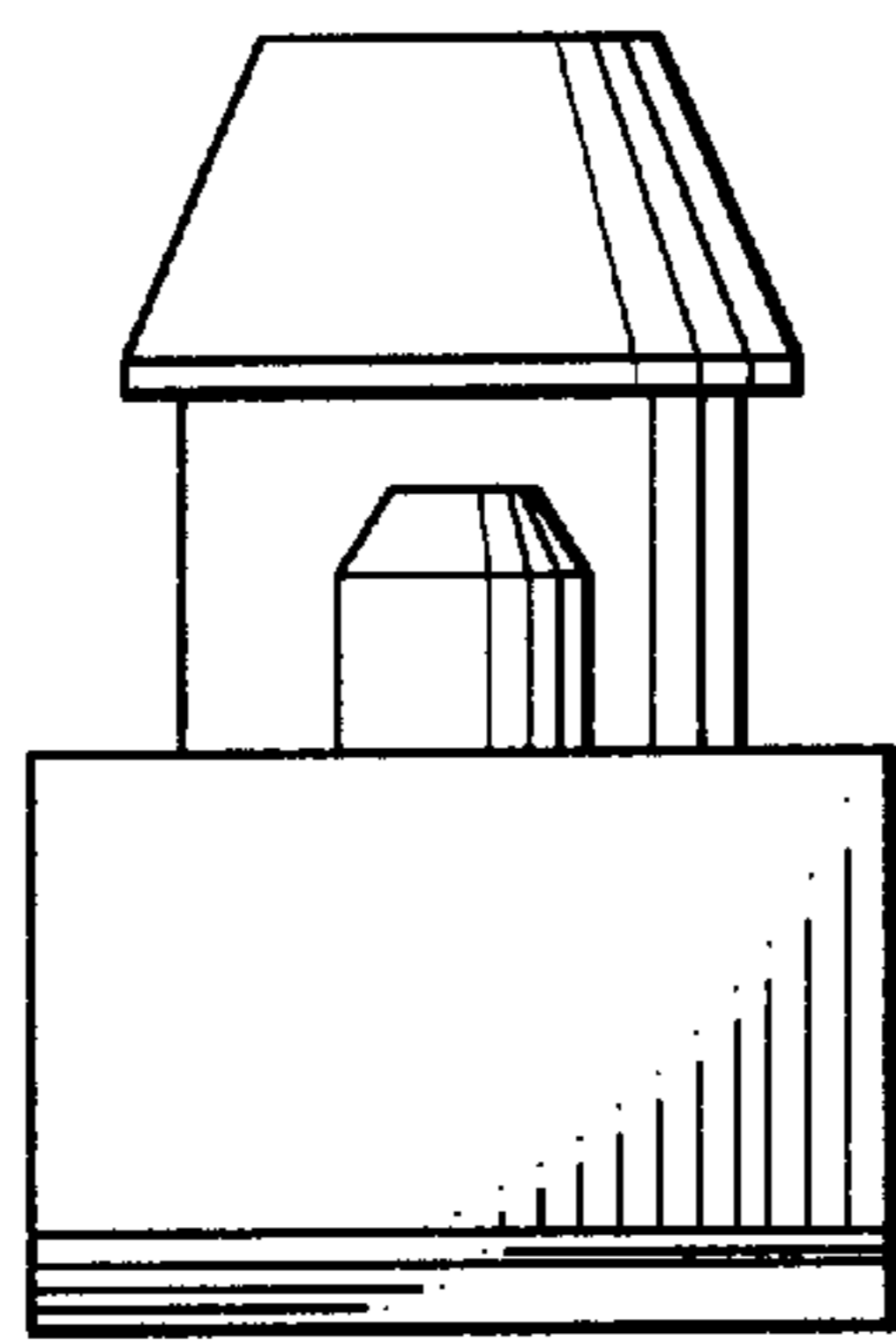


FIG. 2

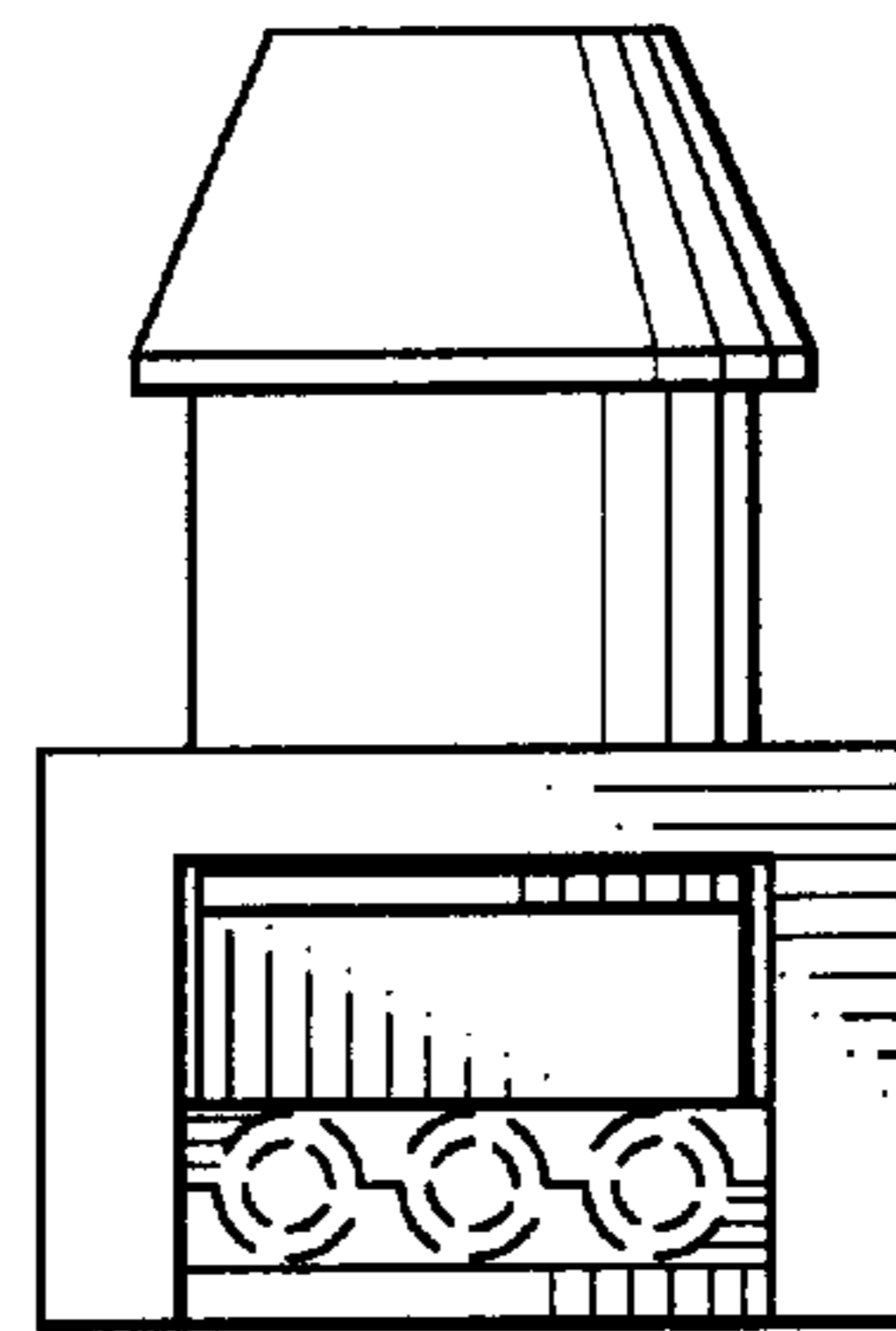


FIG. 3

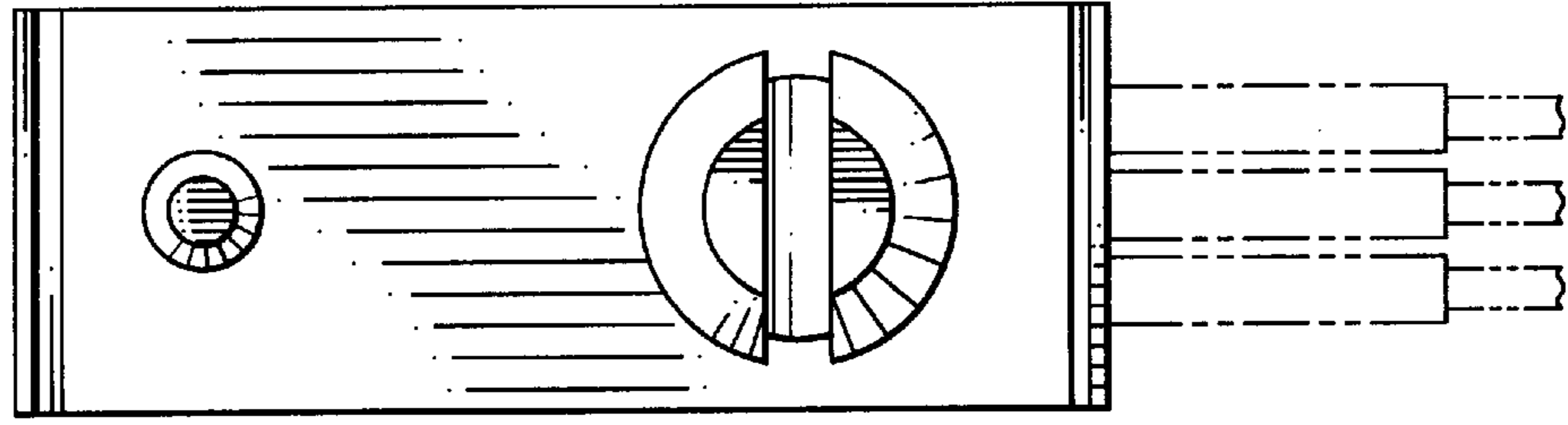


FIG. 4

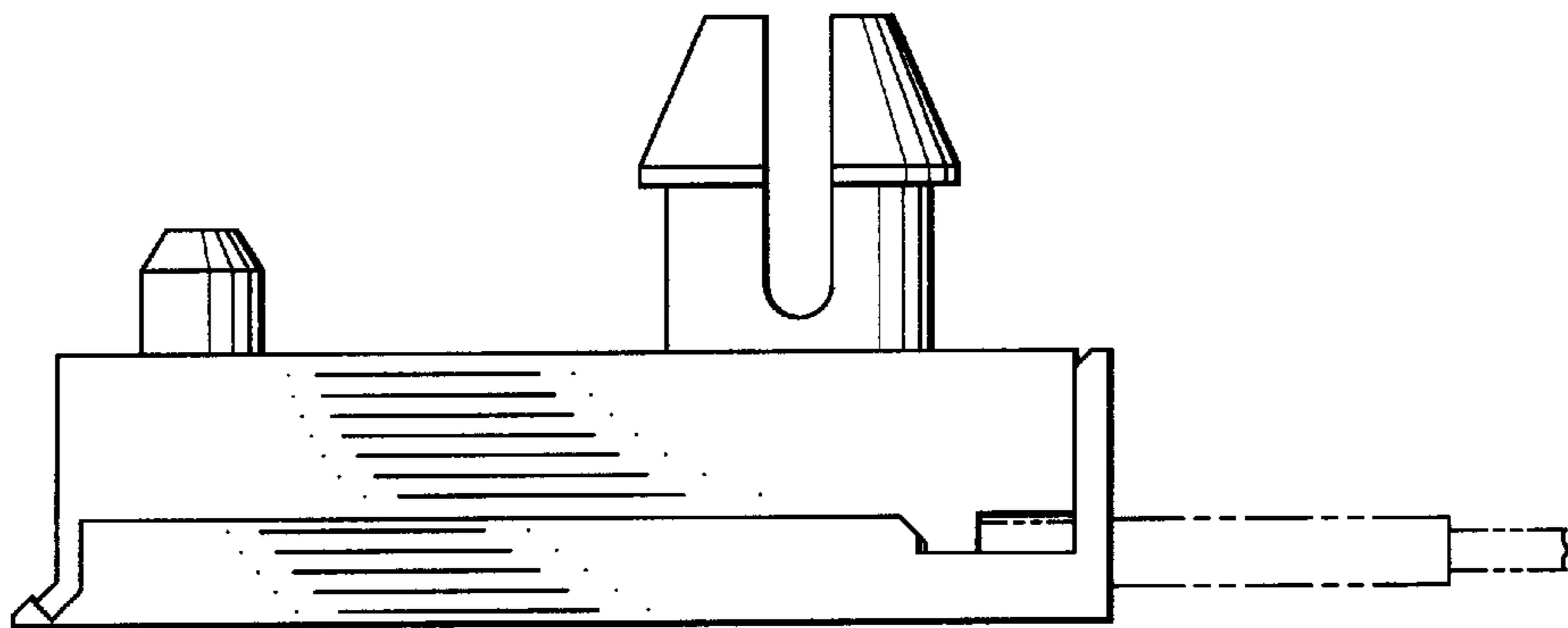


FIG. 5

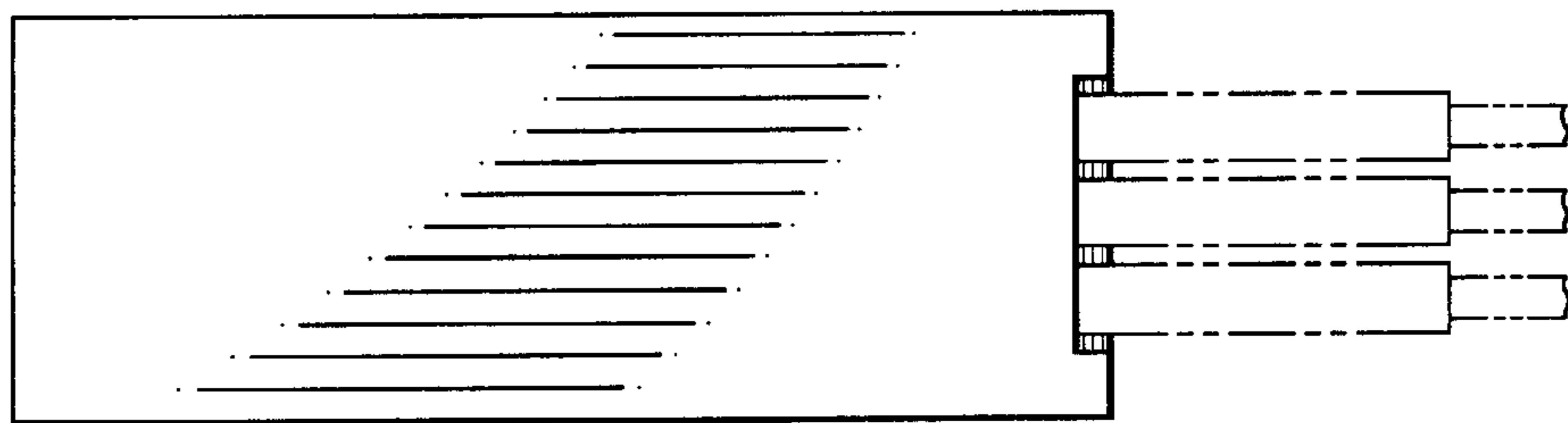


FIG. 6