



US00D438478S

(12) **United States Design Patent**  
**Lin**

(10) **Patent No.:** **US D438,478 S**

(45) **Date of Patent:** **\*\* Mar. 6, 2001**

(54) **MEASURING TAPE**

(76) Inventor: **Ping-Nan Lin**, No.826, Sec. 2  
Chung-Shan Rd., Tai-Shan Hsiang,  
Taipei Hsien (TW)

(\*\*) Term: **14 Years**

(21) Appl. No.: **29/120,603**

(22) Filed: **Mar. 22, 2000**

(51) **LOC (7) Cl.** ..... **10-04**

(52) **U.S. Cl.** ..... **D10/72**

(58) **Field of Search** ..... **D10/72; 33/755-770**

(56) **References Cited**

**U.S. PATENT DOCUMENTS**

- D. 422,804 \* 5/2000 Li ..... D10/72
- D. 424,955 \* 5/2000 Hizawa et al. .... D10/72

\* cited by examiner

*Primary Examiner*—Antoine Duval Davis  
(74) *Attorney, Agent, or Firm*—Bacon & Thomas, PLLC

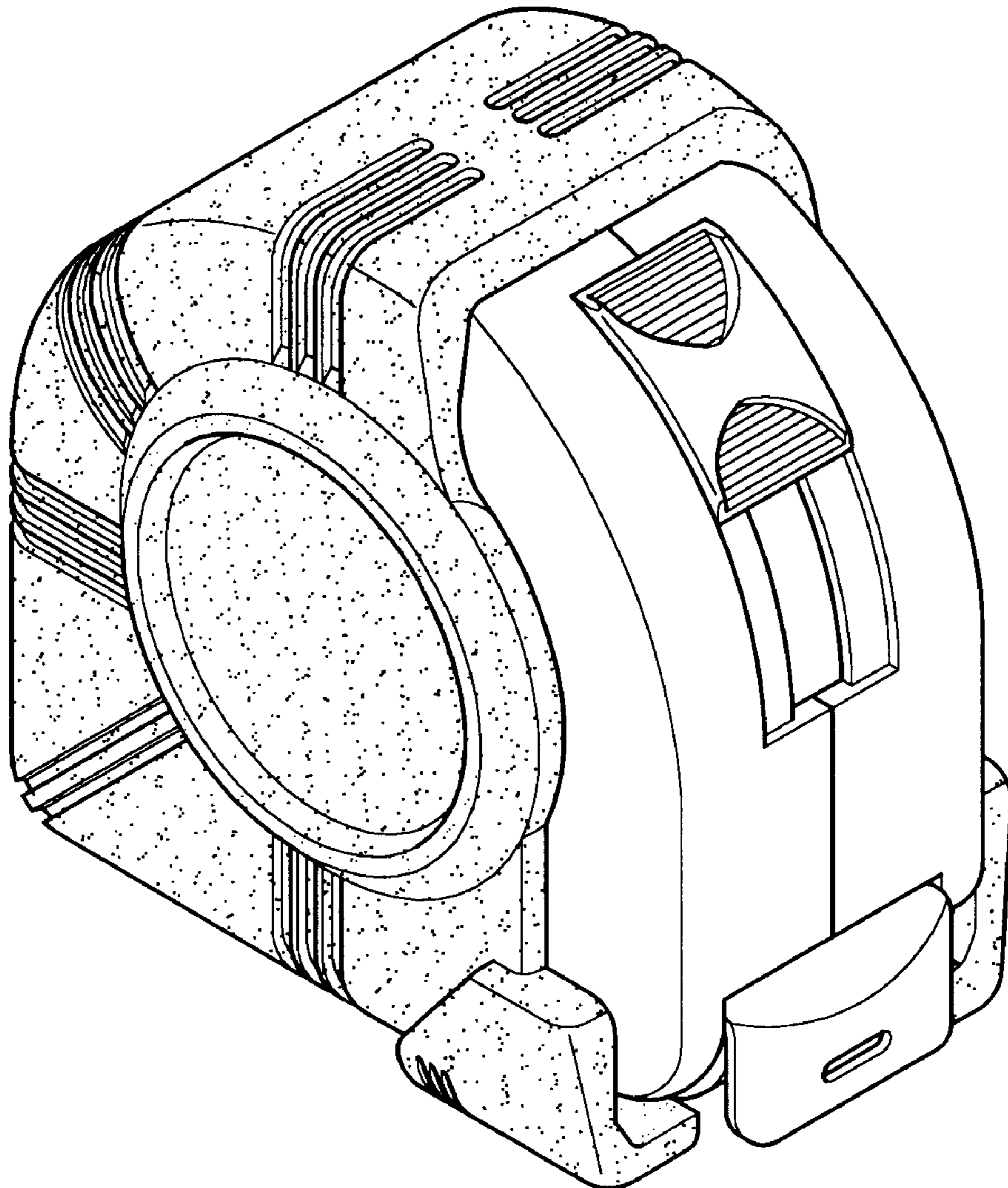
(57) **CLAIM**

The ornamental design for a measuring tape, as shown and described.

**DESCRIPTION**

FIG. 1 is a perspective view of a measuring tape showing my new design;  
FIG. 2 is a front elevation view thereof;  
FIG. 3 is a rear elevation view thereof;  
FIG. 4 is a left side elevation view thereof;  
FIG. 5 is a right side elevation view thereof;  
FIG. 6 is a top plan view thereof; and,  
FIG. 7 is a bottom plan view thereof.

**1 Claim, 4 Drawing Sheets**



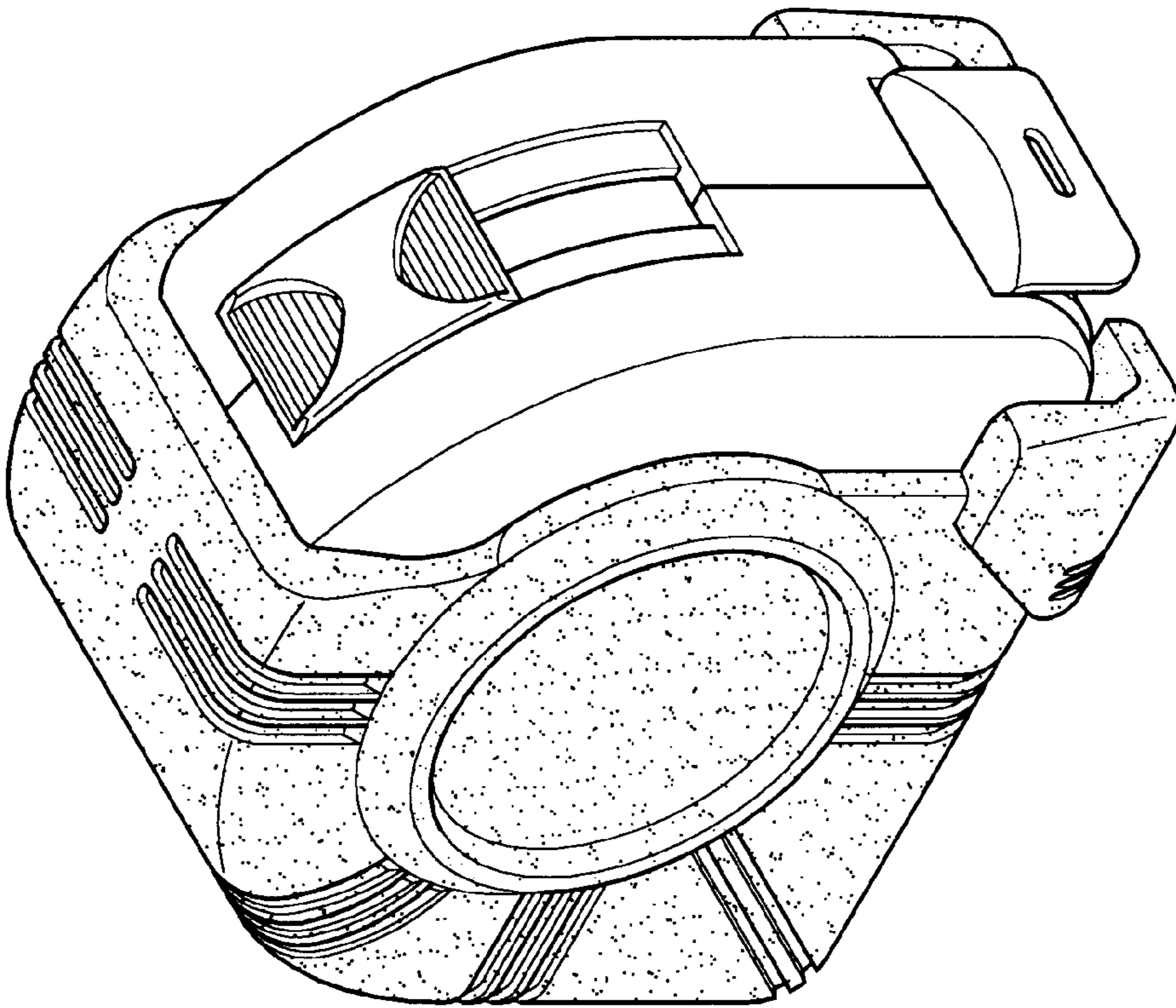


FIG.1

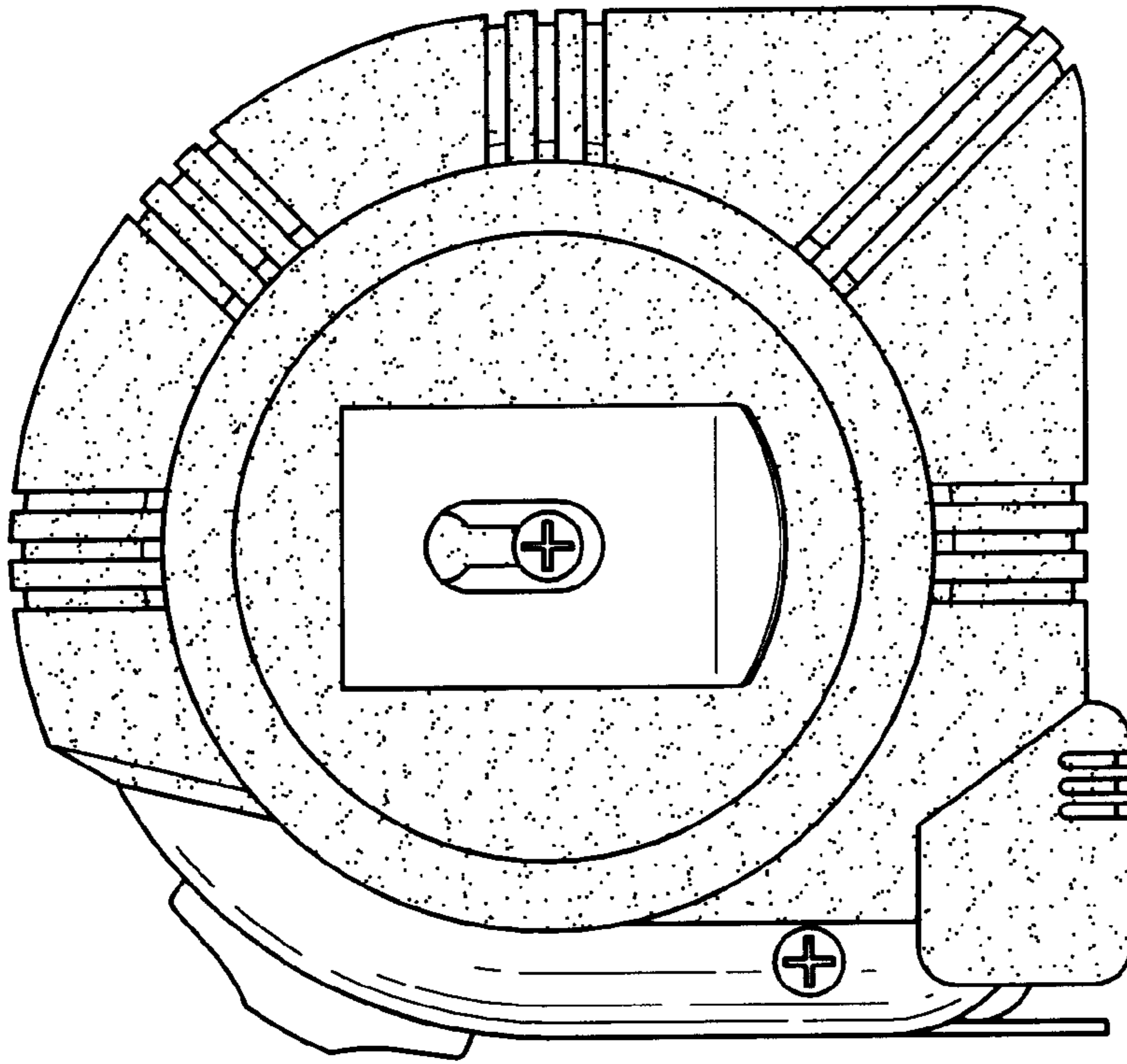


FIG.3

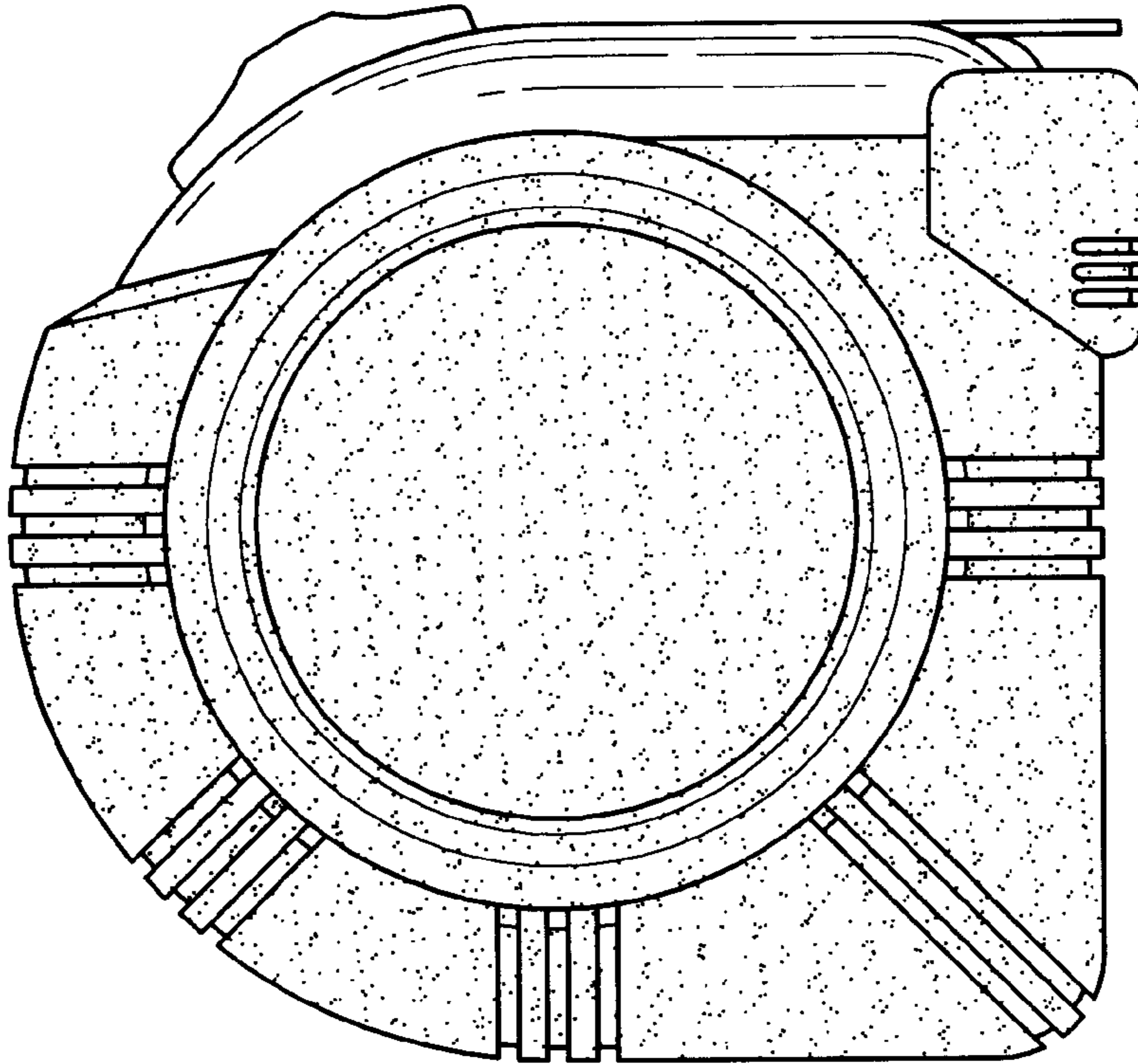


FIG.2

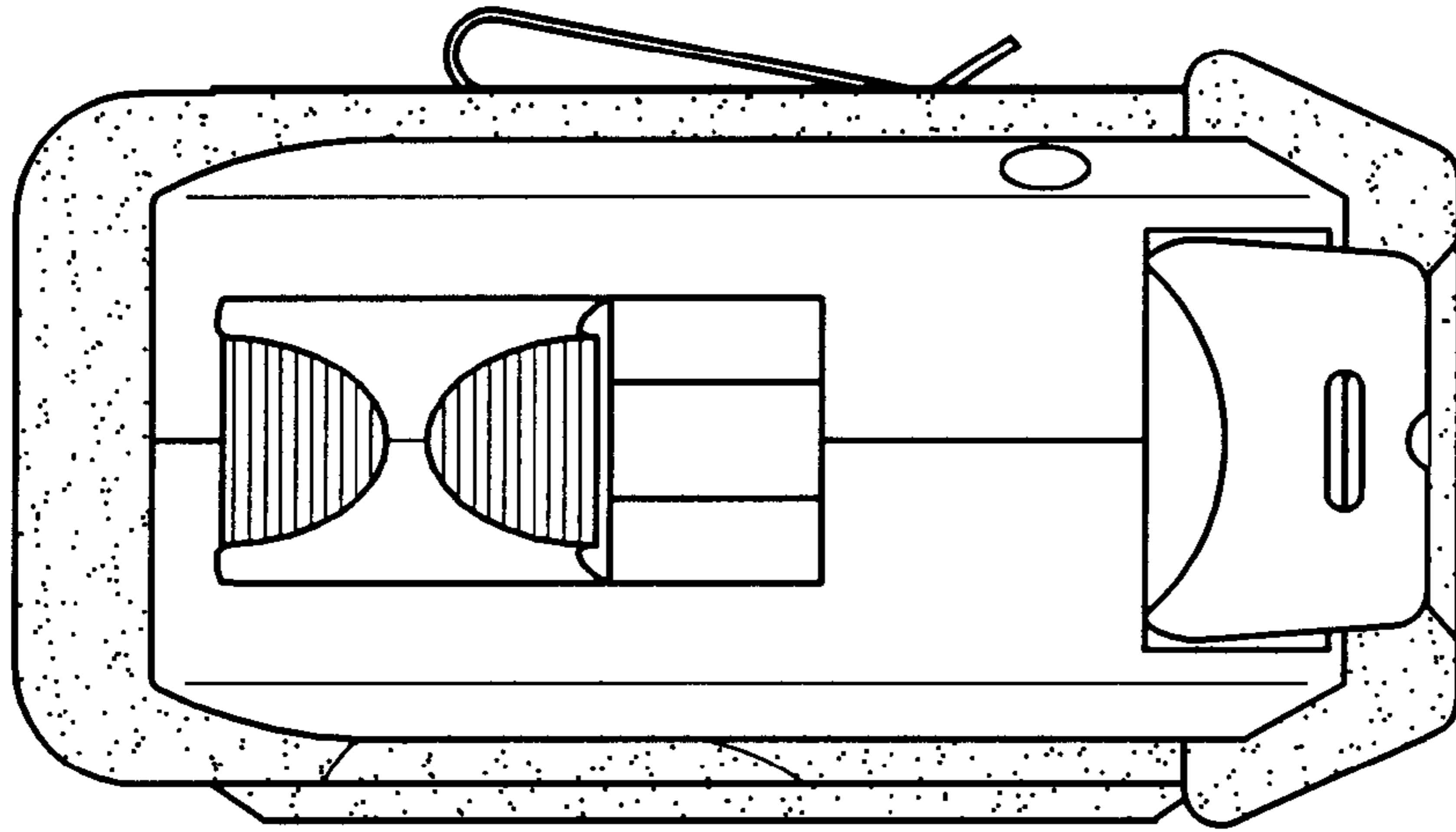


FIG.5

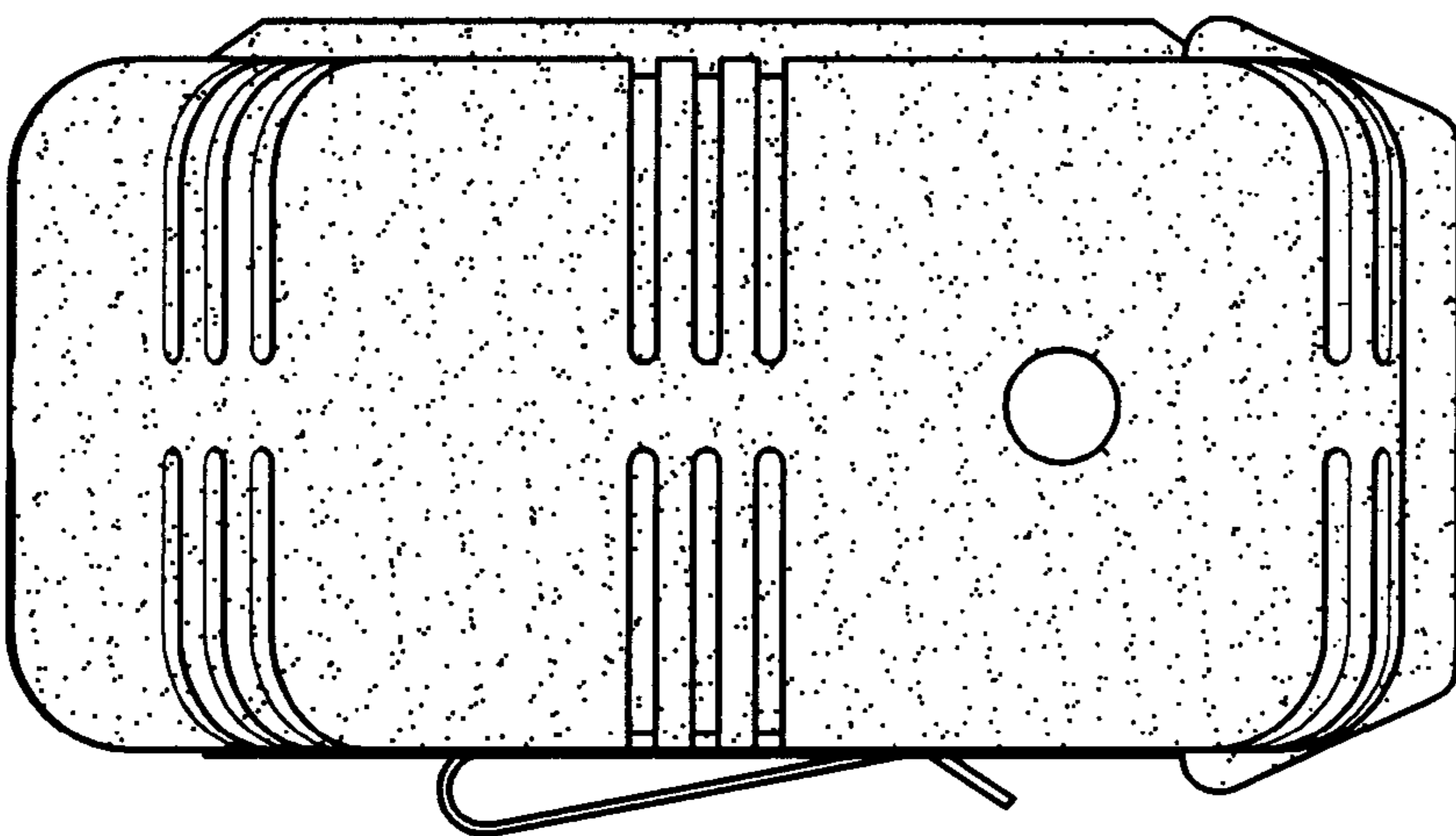


FIG.4

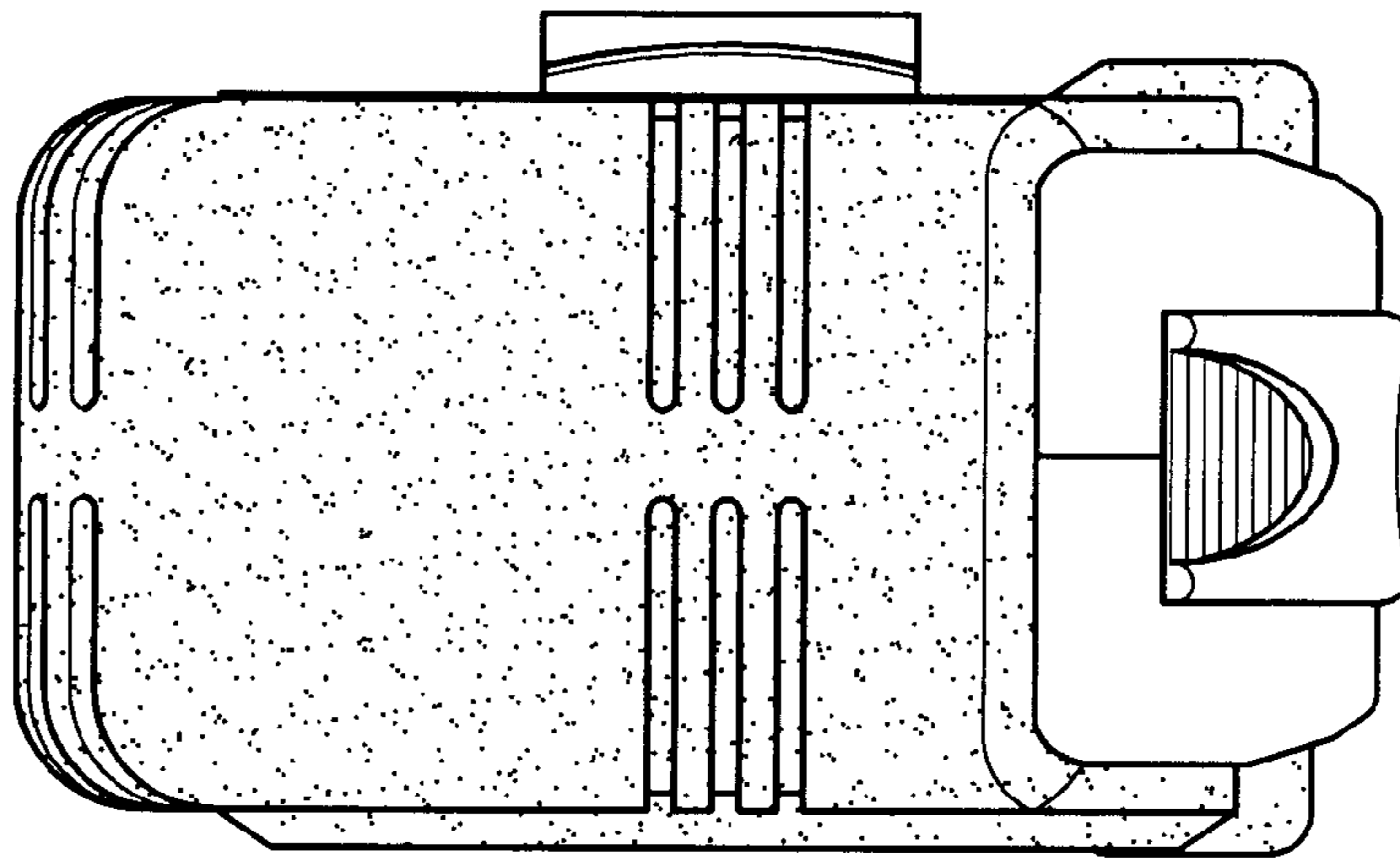


FIG.6

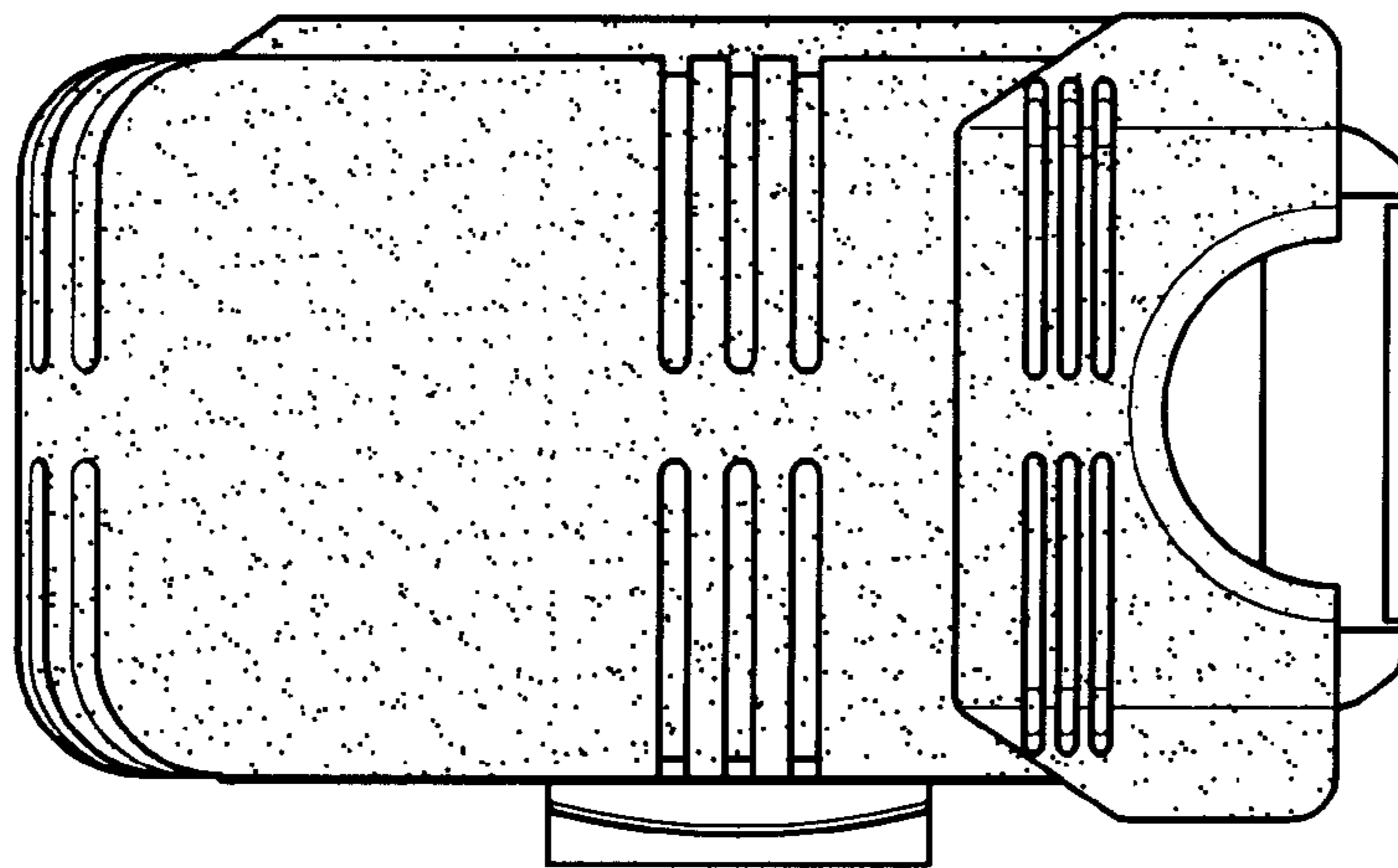


FIG.7