



US00D438477S

(12) **United States Design Patent**
Douglas

(10) **Patent No.:** **US D438,477 S**

(45) **Date of Patent:** **** Mar. 6, 2001**

(54) **LEVEL**

(75) **Inventor:** **Patrick Douglas**, Minneapolis, MN
(US)

(73) **Assignee:** **Target Brands, Inc.**, Minneapolis, MN
(US)

(**) **Term:** **14 Years**

(21) **Appl. No.:** **29/120,404**

(22) **Filed:** **Mar. 17, 2000**

(51) **LOC (7) Cl.** **10-04**

(52) **U.S. Cl.** **D10/69**

(58) **Field of Search** D10/69; 33/379-390

(56) **References Cited**

U.S. PATENT DOCUMENTS

D. 239,821 * 5/1976 Muller D10/69

D. 256,441 * 8/1980 Quenot D10/69
D. 332,411 1/1993 Masters et al. .
D. 355,134 2/1995 Kennedy .
D. 400,809 11/1998 Prouteau .

* cited by examiner

Primary Examiner—Antoine Duval Davis

(74) *Attorney, Agent, or Firm*—Faegre & Benson LLP

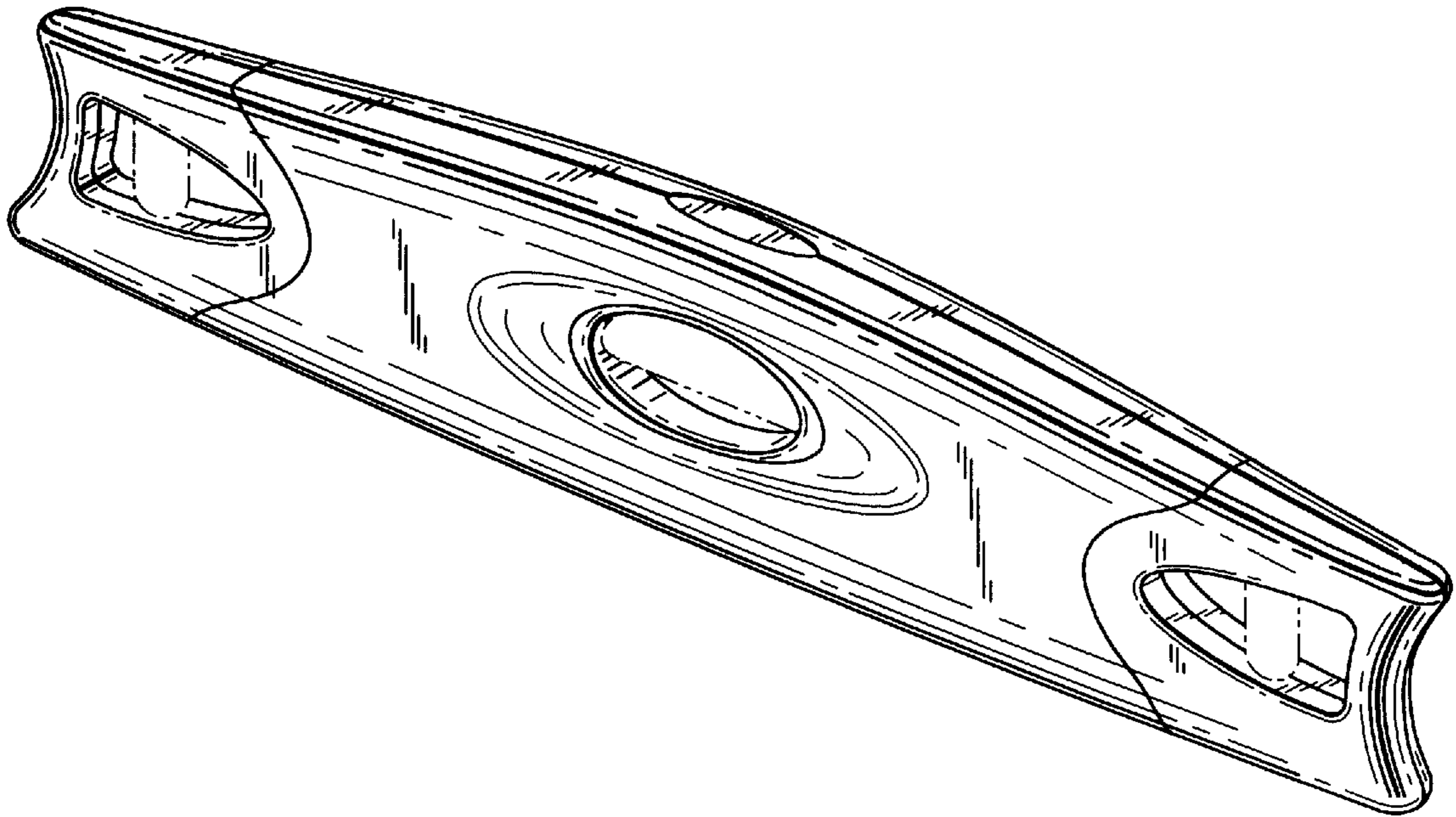
(57) **CLAIM**

The ornamental design for a level, as shown and described.

DESCRIPTION

FIG. 1 is a view in perspective of a level.
FIG. 2 is a front plan view of the level of FIG. 1.
FIG. 3 is a top plan view of the level of FIG. 1.
FIG. 4 is a bottom view of the level of FIG. 1; and,
FIG. 5 is an end view of the level of FIG. 1.

1 Claim, 2 Drawing Sheets



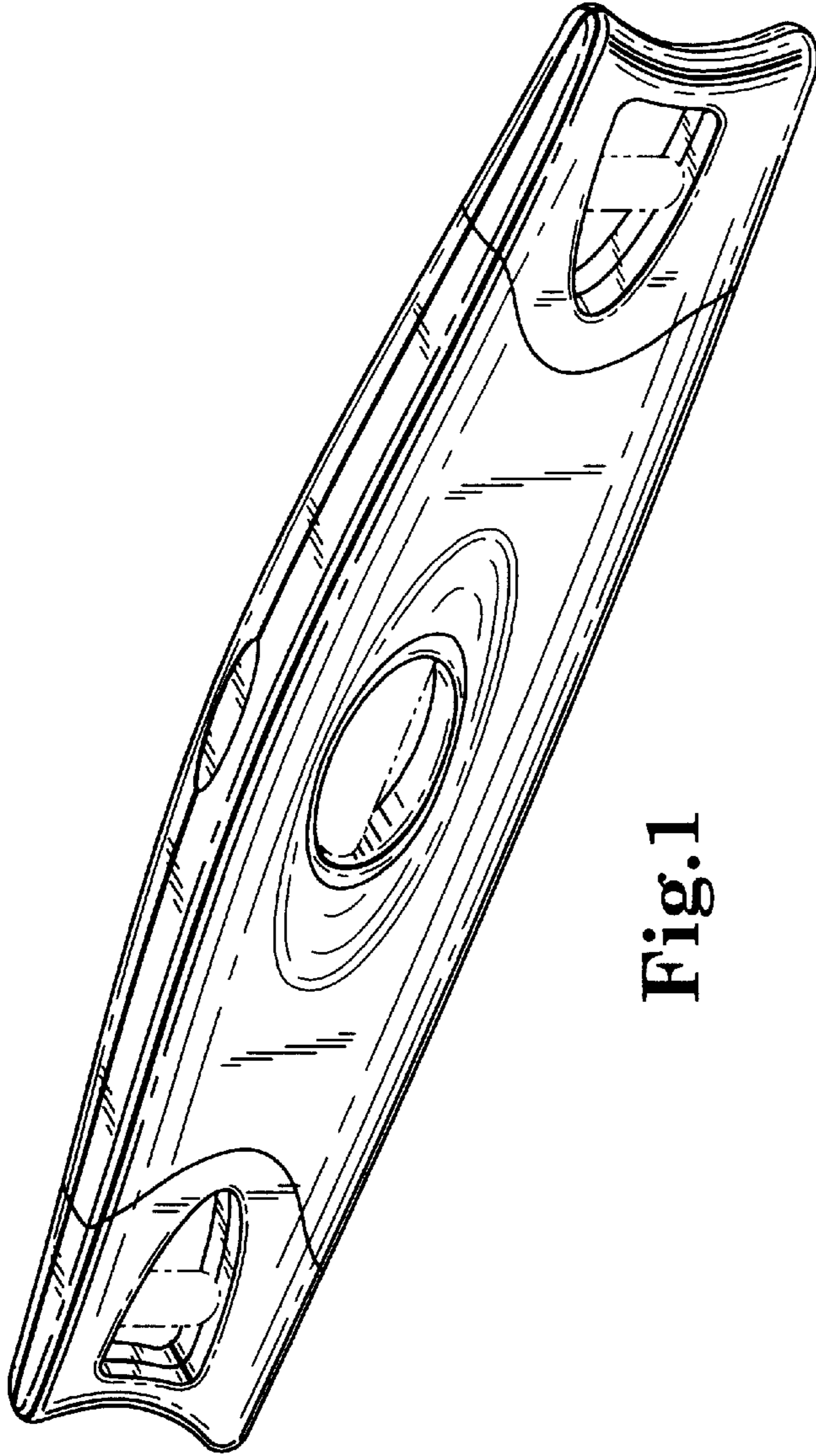


Fig.1

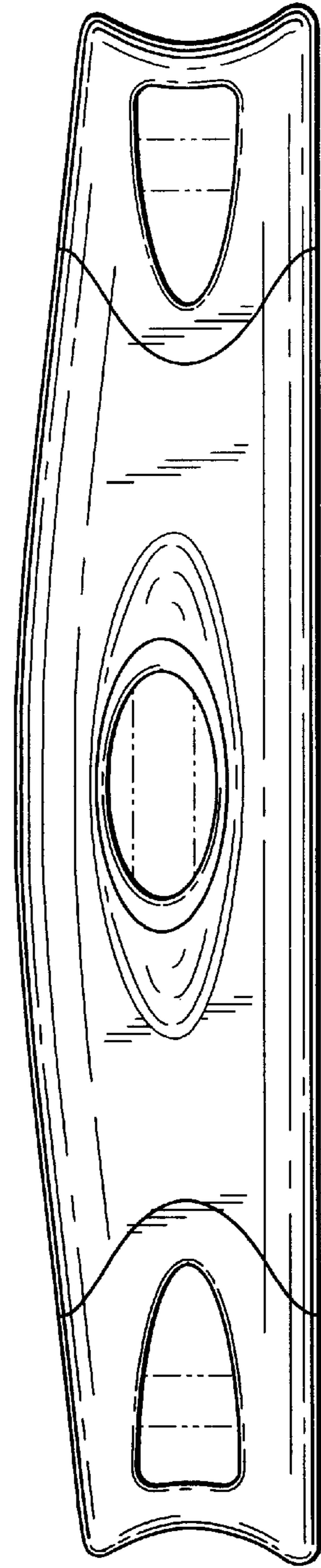


Fig.2

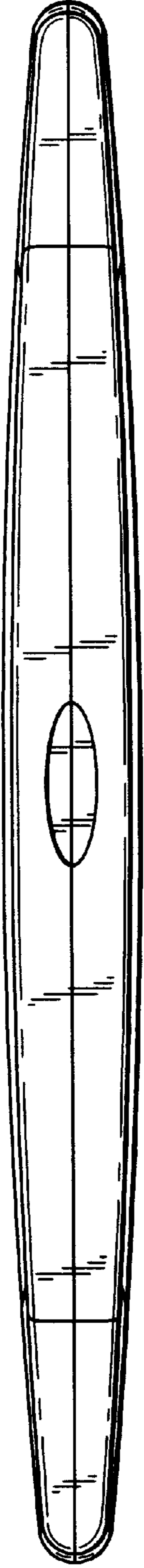


Fig.3



Fig.4

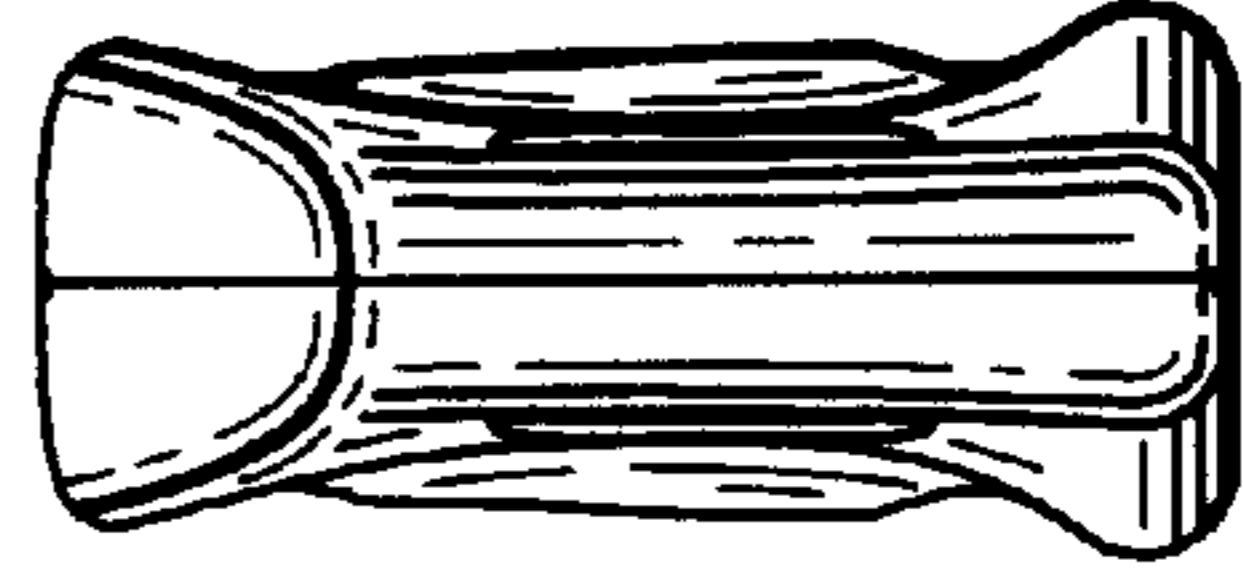


Fig.5