



US00D438474S

(12) **United States Design Patent**  
**Dumas**

(10) **Patent No.:** **US D438,474 S**

(45) **Date of Patent:** **\*\* Mar. 6, 2001**

(54) **WRISTWATCH**

(75) Inventor: **Jean-Louis Dumas, Paris (FR)**

(73) Assignee: **La Montre Hermes, Brugg (CH)**

(\*\*) Term: **14 Years**

(21) Appl. No.: **29/106,861**

(22) Filed: **Jun. 24, 1999**

(51) **LOC (7) Cl.** ..... **10-02**

(52) **U.S. Cl.** ..... **D10/39; D10/126**

(58) **Field of Search** ..... **D10/1-40, 122-132;**  
**368/280-282, 276-277, 285**

(56) **References Cited**

**U.S. PATENT DOCUMENTS**

- D. 323,121 \* 1/1992 Dumas ..... D10/32
- D. 358,102 \* 5/1995 Dumas ..... D10/39
- D. 366,427 \* 1/1996 Dumas ..... D10/39

- D. 371,308 \* 7/1996 Wunderman ..... D10/39
- D. 384,292 \* 9/1997 Woo et al. .... D10/30

\* cited by examiner

*Primary Examiner*—Nelson C. Holtje

(74) *Attorney, Agent, or Firm*—Young & Thompson

(57) **CLAIM**

The ornamental design for a wristwatch, as shown.

**DESCRIPTION**

FIG. 1 is a top plan view of a wristwatch showing my new design;  
 FIG. 2 is a view thereof from the left of FIG. 1;  
 FIG. 3 is a view thereof from the right of FIG. 1;  
 FIG. 4 is a view thereof from the top of FIG. 1;  
 FIG. 5 is a view thereof from the bottom of FIG. 1; and,  
 FIG. 6 is a view thereof from the side opposite that shown in FIG. 1.

**1 Claim, 2 Drawing Sheets**





FIG. 1

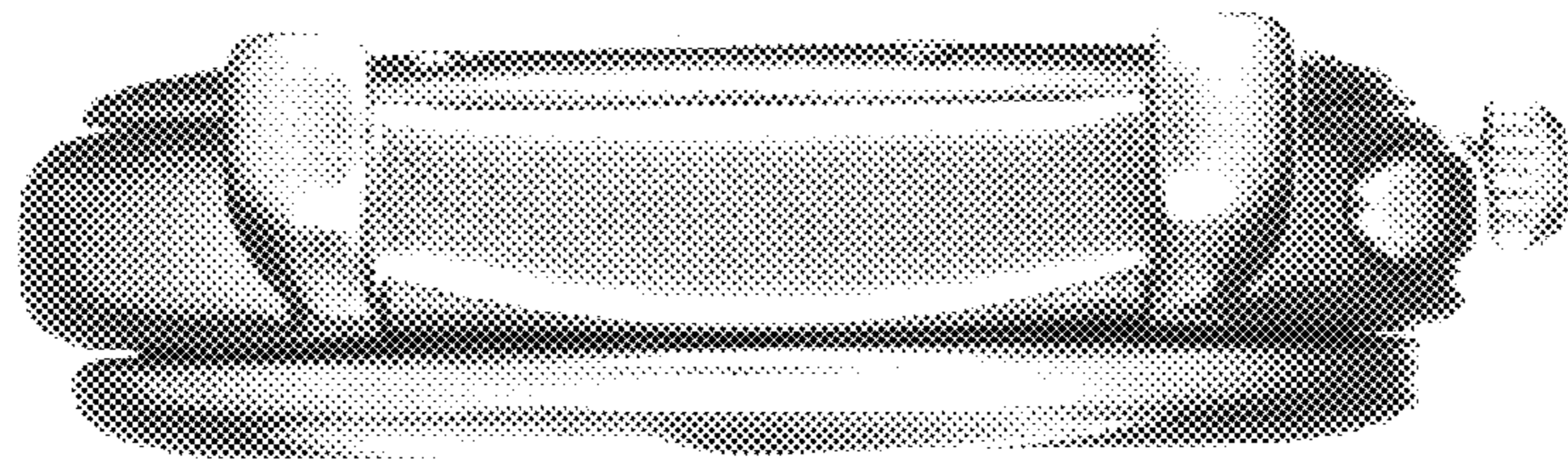


FIG. 4

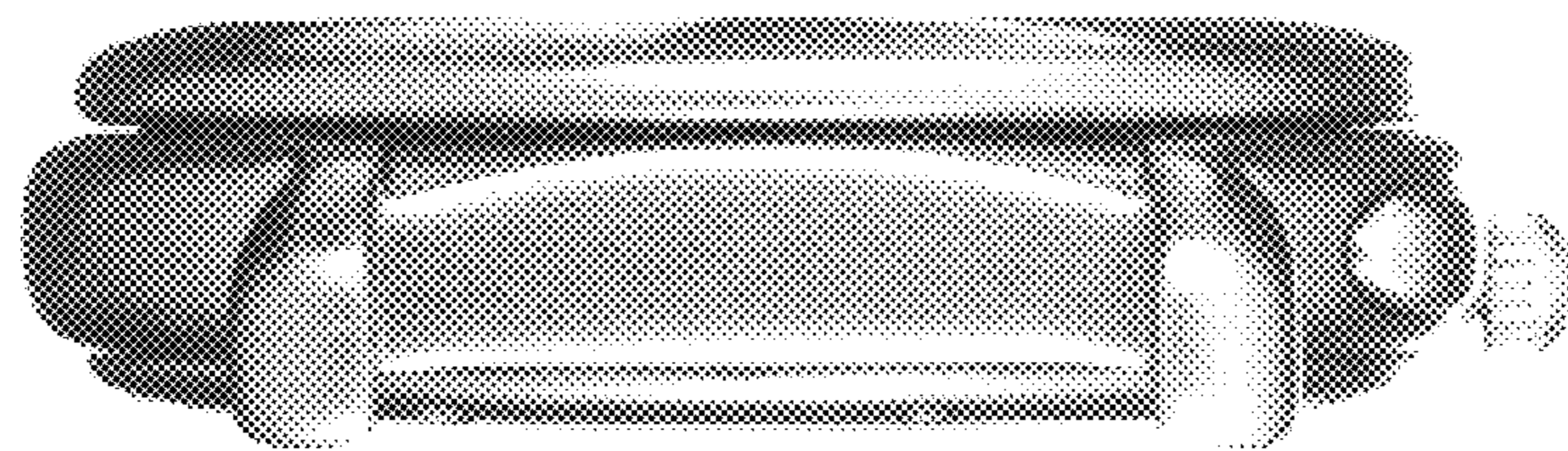


FIG. 5

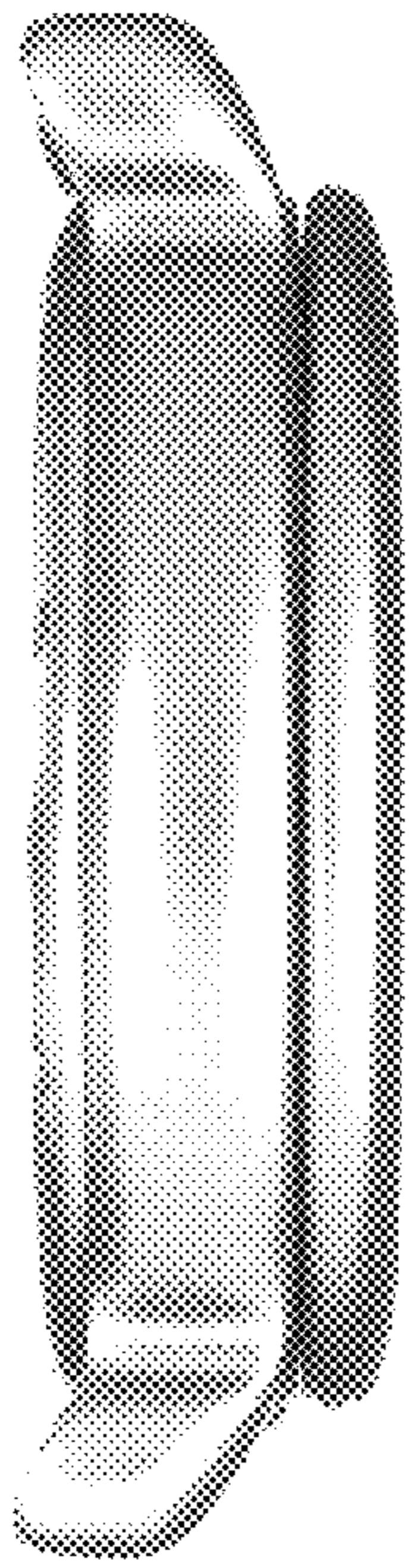


FIG. 2

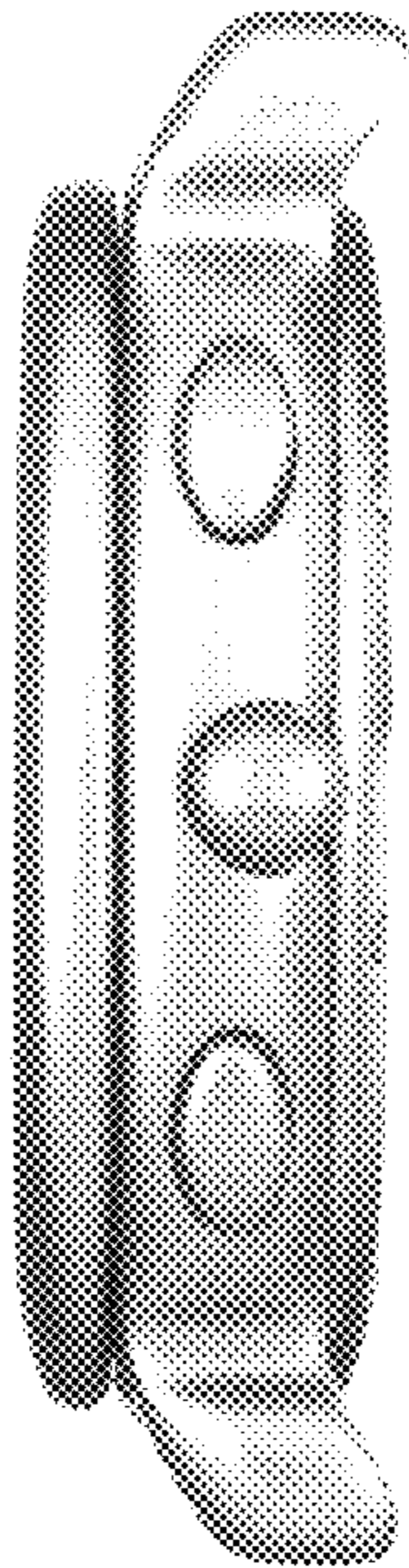


FIG. 3

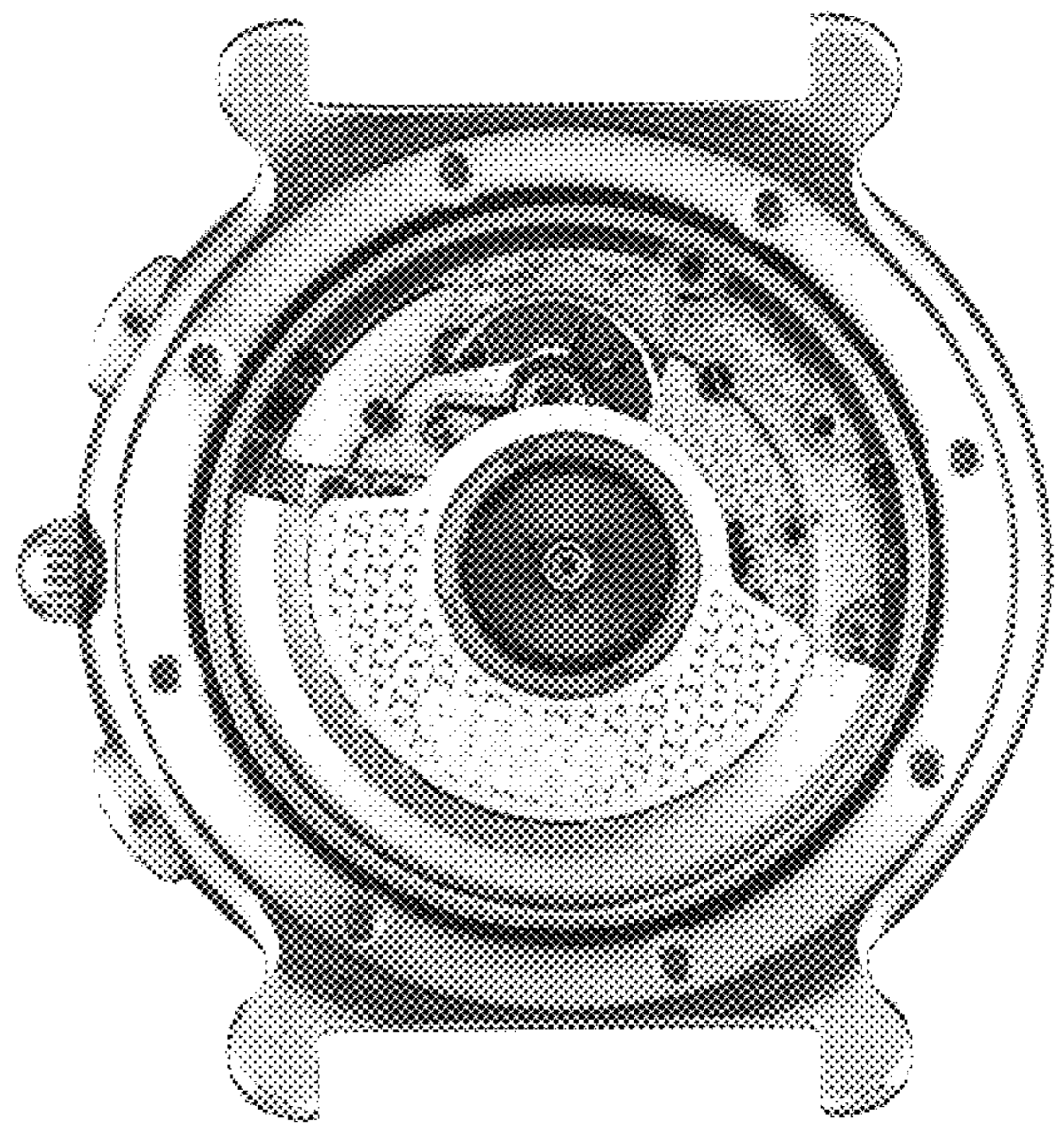


FIG. 6