



US00D438470S

(12) **United States Design Patent**
Choi et al.

(10) **Patent No.:** **US D438,470 S**

(45) **Date of Patent:** **** Mar. 6, 2001**

(54) **WATCH CASING AND BEZEL**

D. 423,946 * 5/2000 Jannard et al. D10/30

(75) Inventors: **Yoon Ho Choi; Eyal Eliav**, both of
New York, NY (US)

* cited by examiner

(73) Assignee: **Timex Corporation**, Middlebury, CT
(US)

Primary Examiner—Nelson C. Holtje

(74) *Attorney, Agent, or Firm*—Carmody & Torrance LLP

(**) Term: **14 Years**

(57) **CLAIM**

The ornamental design for a watch casing and bezel, as shown and described.

(21) Appl. No.: **29/125,014**

DESCRIPTION

(22) Filed: **Jun. 14, 2000**

(51) **LOC (7) Cl.** **10-02**

(52) **U.S. Cl.** **D10/30; D10/39**

(58) **Field of Search** D10/1-40, 122-132;
368/280-282, 276-277, 285

FIG. 1 is a perspective view of a watch casing and bezel showing our new design;

FIG. 2 is a left side elevational view thereof;

FIG. 3 is a top plan view thereof;

FIG. 4 is a right side elevational view thereof;

FIG. 5 is a first end elevational view thereof;

FIG. 6 is a second end elevational view thereof; and,

FIG. 7 is a bottom plan view.

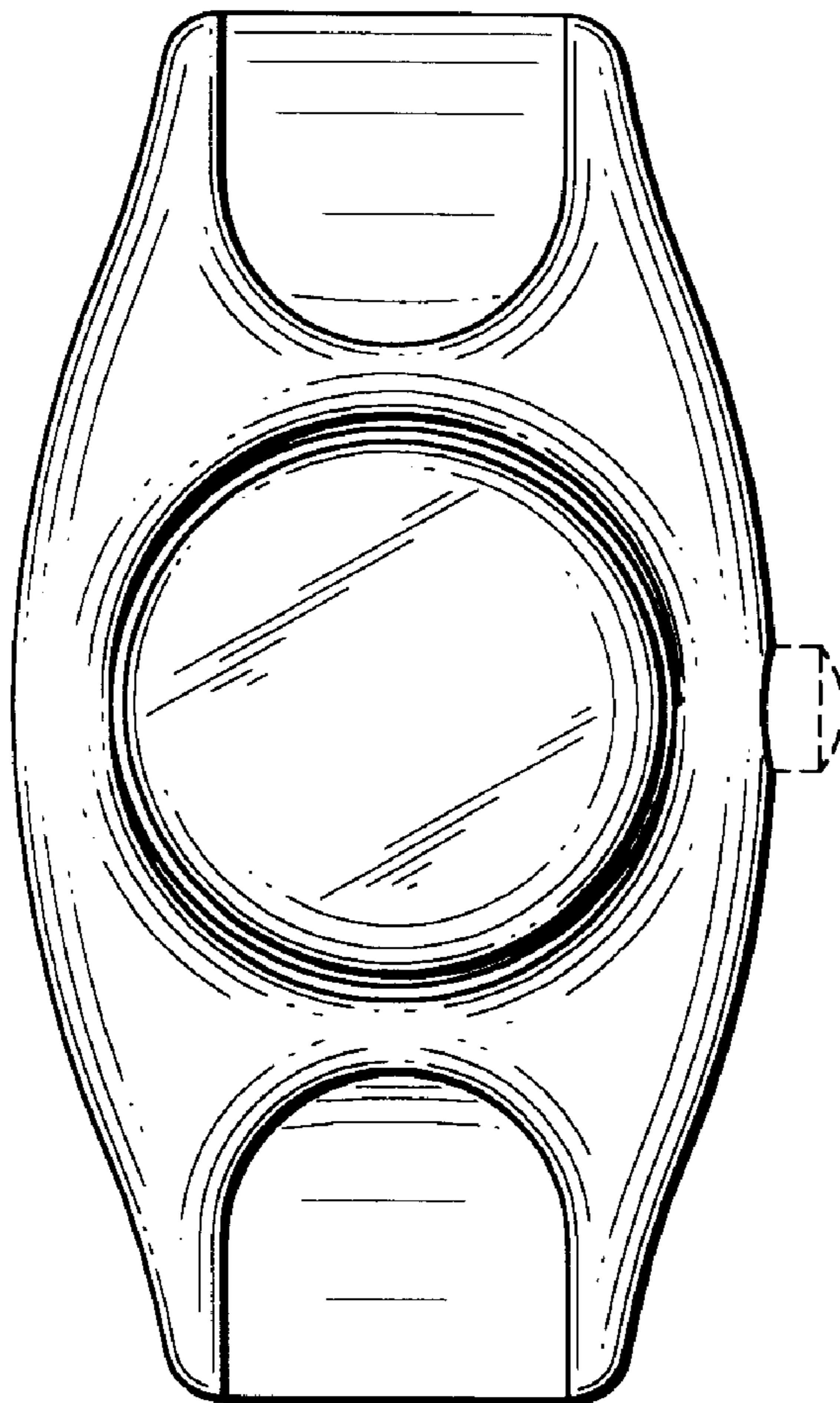
The broken line showing of crowns and band is for illustrative purposes only and forms no part of the claimed design.

(56) **References Cited**

U.S. PATENT DOCUMENTS

- D. 385,803 * 11/1997 Hysek D10/30
- D. 386,691 * 11/1997 Szekley D10/30
- D. 388,000 * 12/1997 Molineri D10/30
- D. 397,622 * 9/1998 Baschmakoff D10/39
- D. 413,525 * 9/1999 Pun D10/30

1 Claim, 2 Drawing Sheets



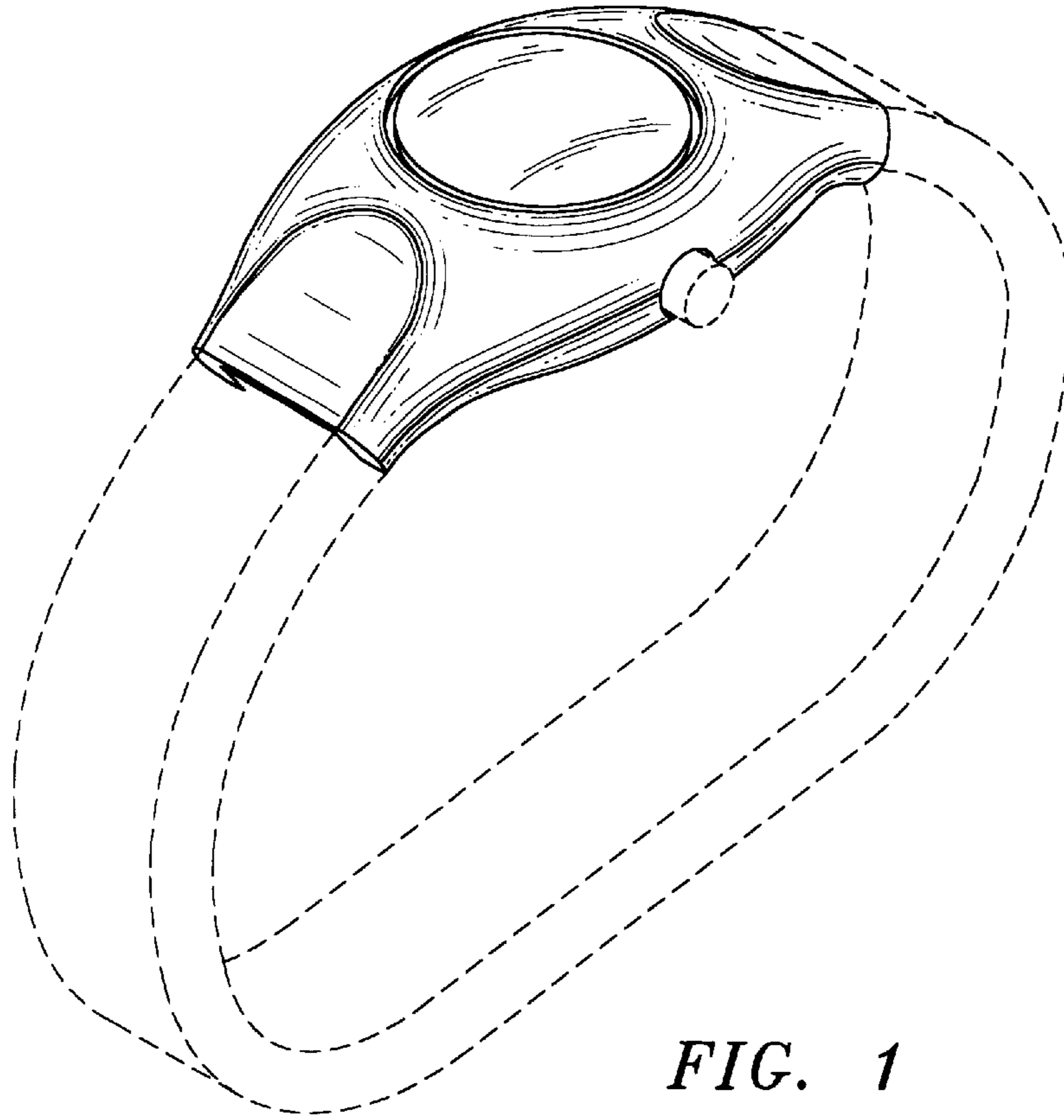


FIG. 1

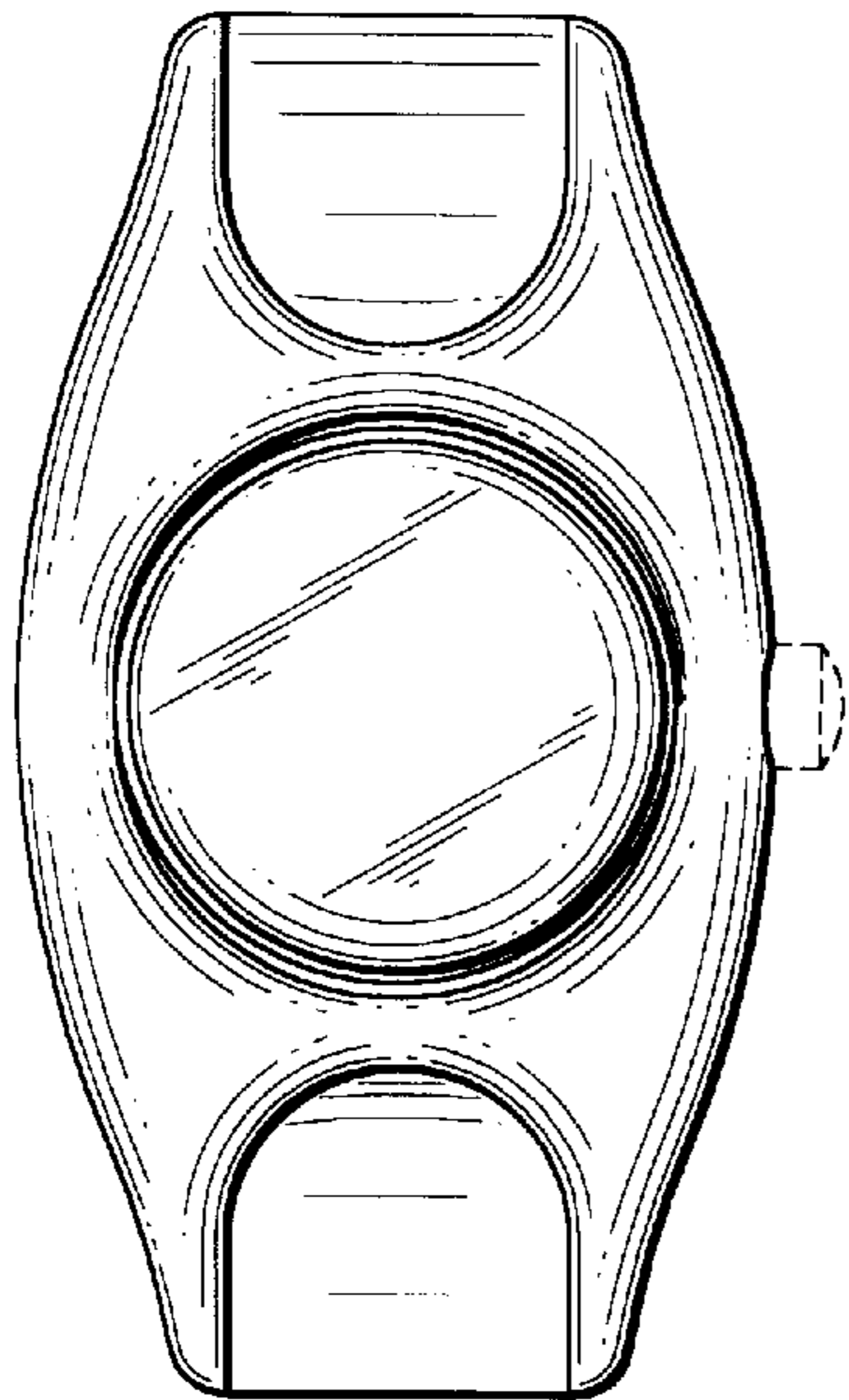


FIG. 3

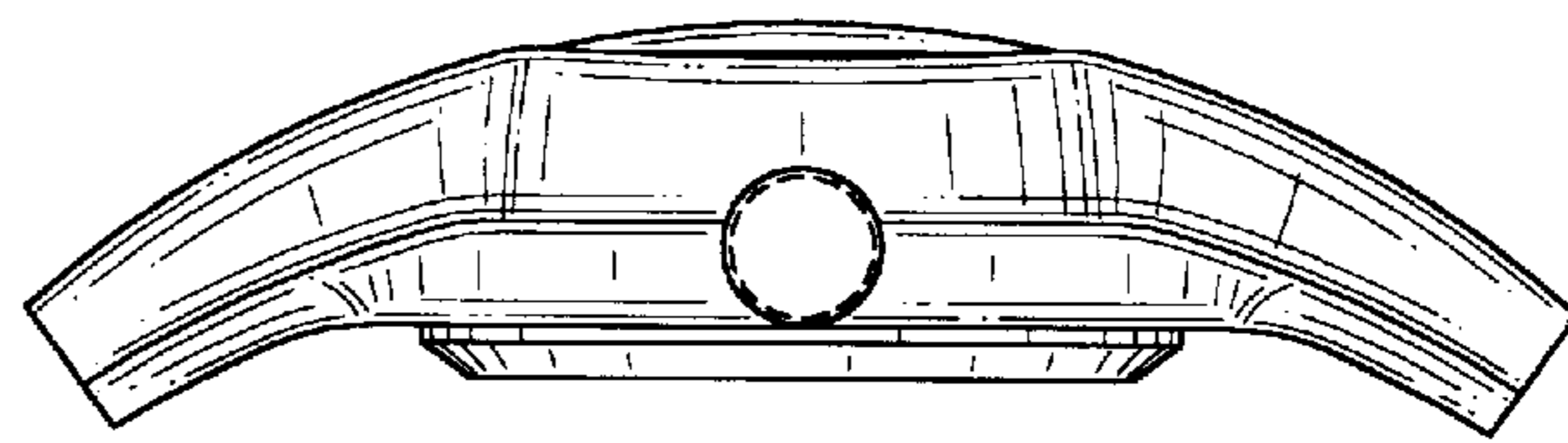


FIG. 4

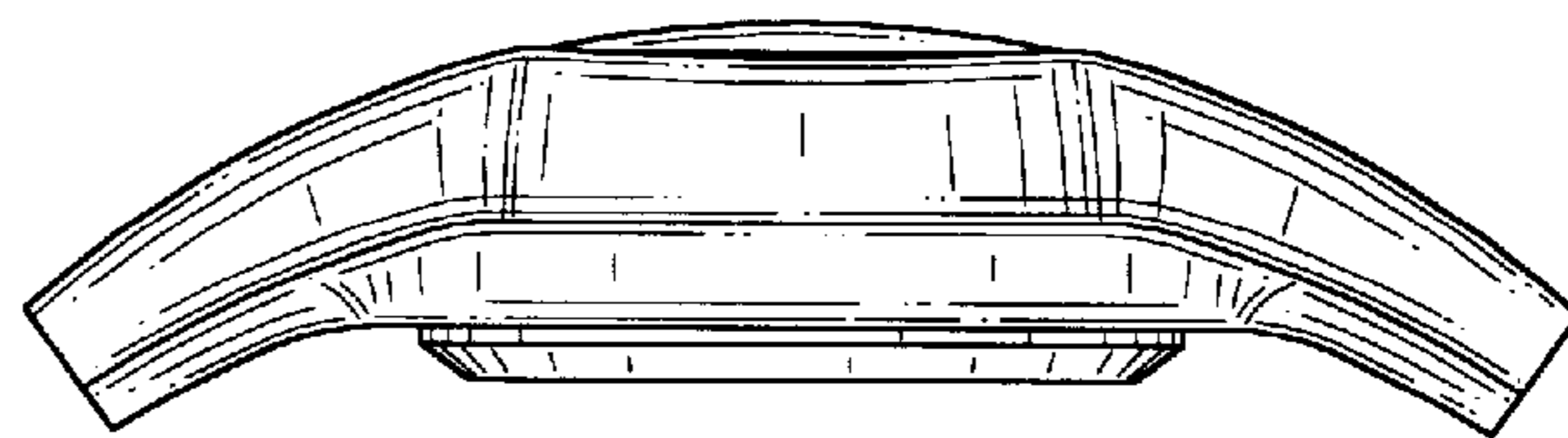


FIG. 2

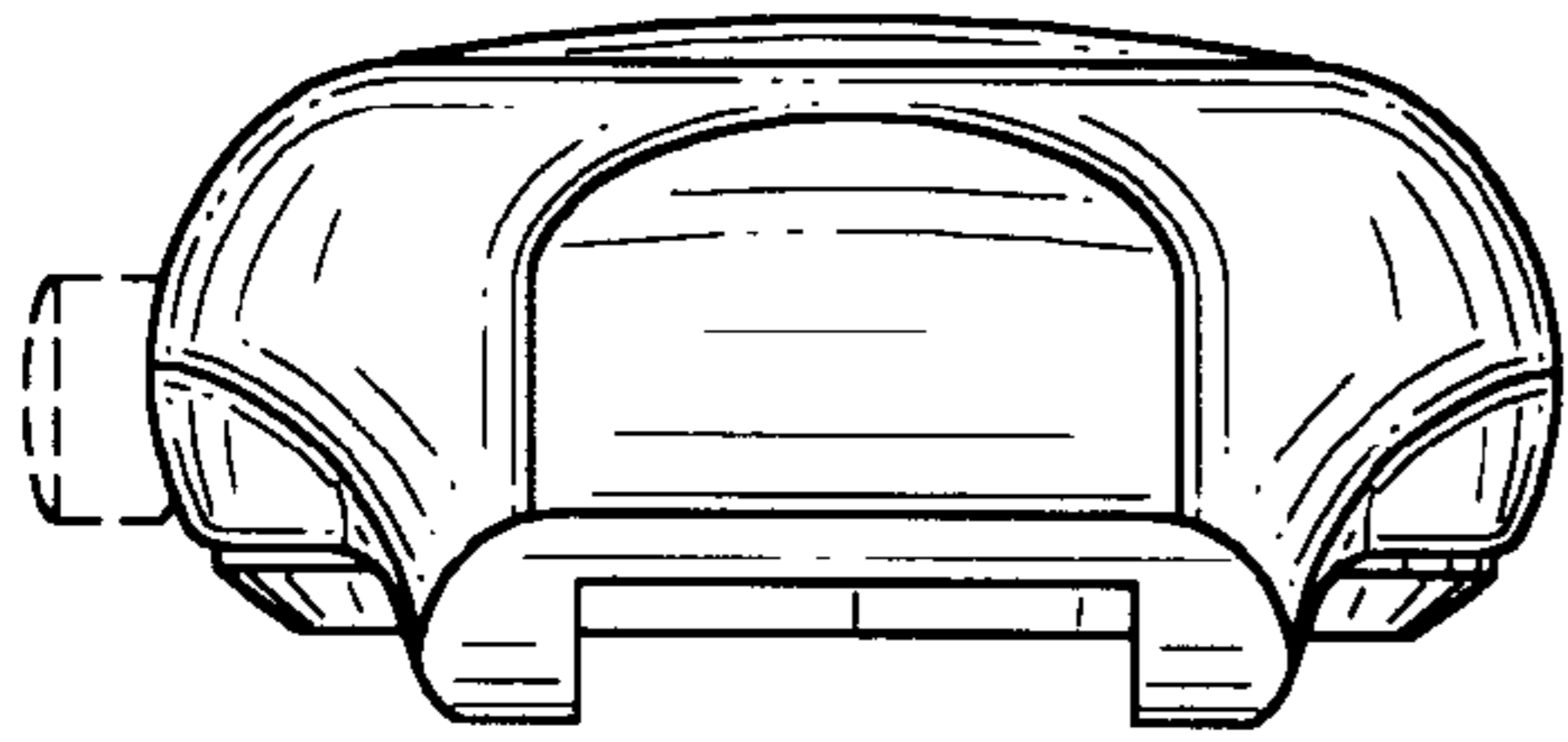


FIG. 5

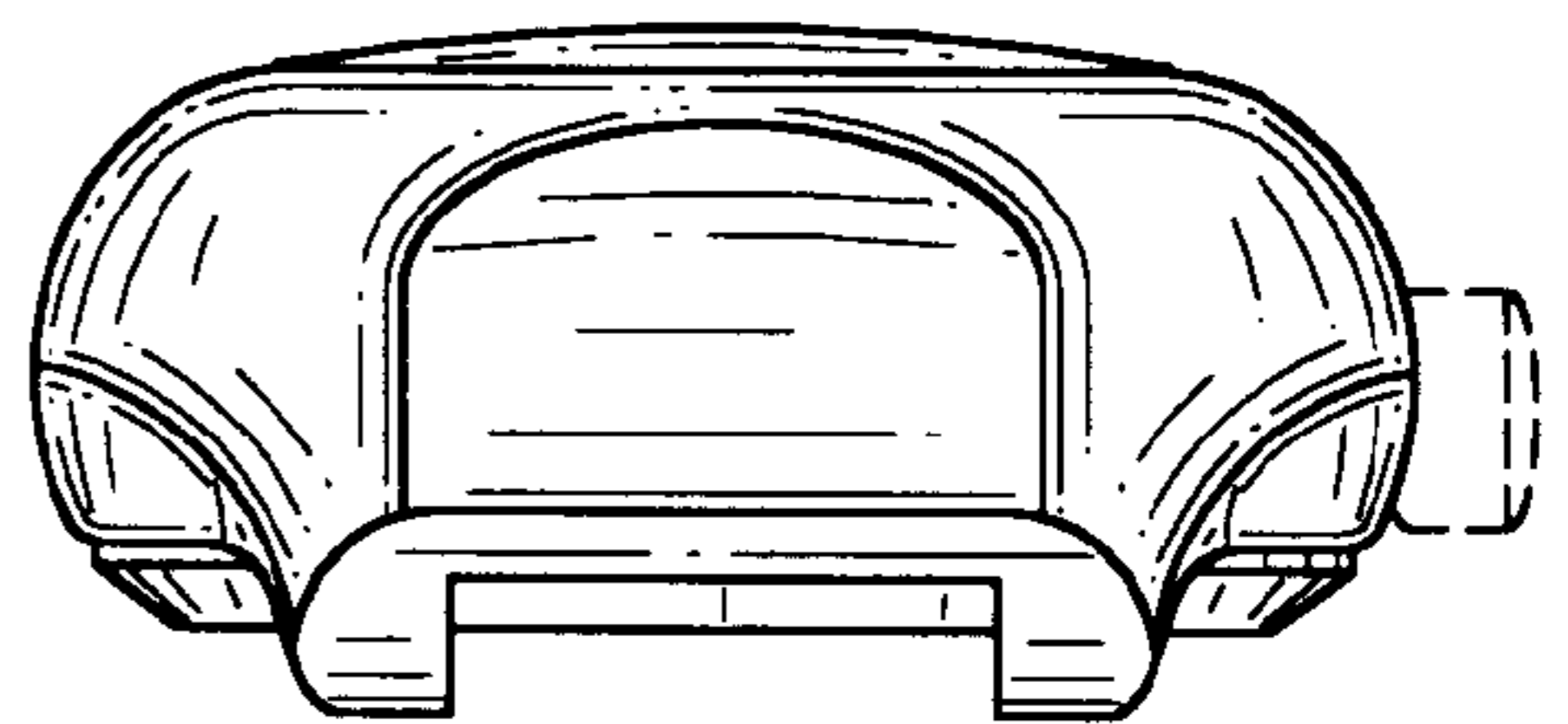


FIG. 6

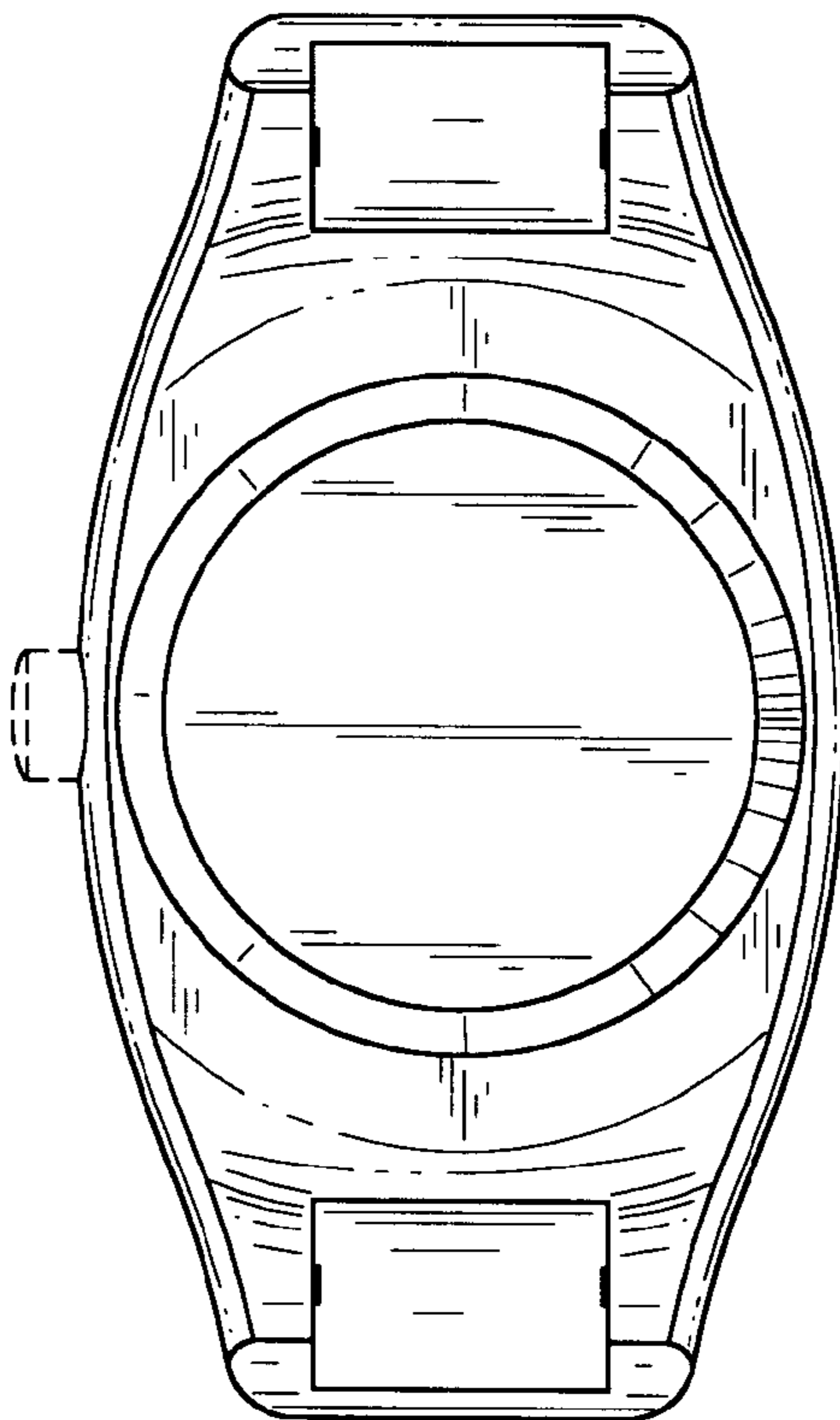


FIG. 7