



US00D438467S

(12) **United States Design Patent**  
**Durand**

(10) **Patent No.:** **US D438,467 S**

(45) **Date of Patent:** **\*\* Mar. 6, 2001**

(54) **CONTAINER HOLDER**

(76) **Inventor:** **Mark Roger Durand**, 13572 49<sup>th</sup> St.,  
Royal Palm Beach, FL (US) 33411

(\*\*) **Term:** **14 Years**

(21) **Appl. No.:** **29/120,901**

(22) **Filed:** **Mar. 28, 2000**

(51) **LOC (7) Cl.** ..... **09-07**

(52) **U.S. Cl.** ..... **D9/434**

(58) **Field of Search** ..... D7/622; D9/434,  
D9/499; D34/5, 6, 39; 211/71.01, 74, 75,  
88.02, 90.02, 90.04; 220/694, 737, 739,  
890

(56) **References Cited**

**U.S. PATENT DOCUMENTS**

- D. 282,337 \* 1/1986 Picozza ..... D7/622
- D. 294,226 \* 2/1988 Smith ..... D9/434
- D. 366,601 \* 1/1996 Oroudjian ..... D7/622

- D. 428,141 \* 7/2000 Brotspies et al. .... D24/114
- 592,781 \* 11/1897 Hertwig ..... 220/694
- 1,151,827 \* 8/1915 Sander ..... 383/6
- 2,844,346 \* 7/1958 Six ..... D7/622 X

\* cited by examiner

*Primary Examiner*—Robert M. Spear

(74) *Attorney, Agent, or Firm*—McHale & Slavin

(57) **CLAIM**

The ornamental design for a container holder, as shown and described.

**DESCRIPTION**

FIG. 1 is a front view of the container holder of the instant invention;

FIG. 2 is a back view thereof;

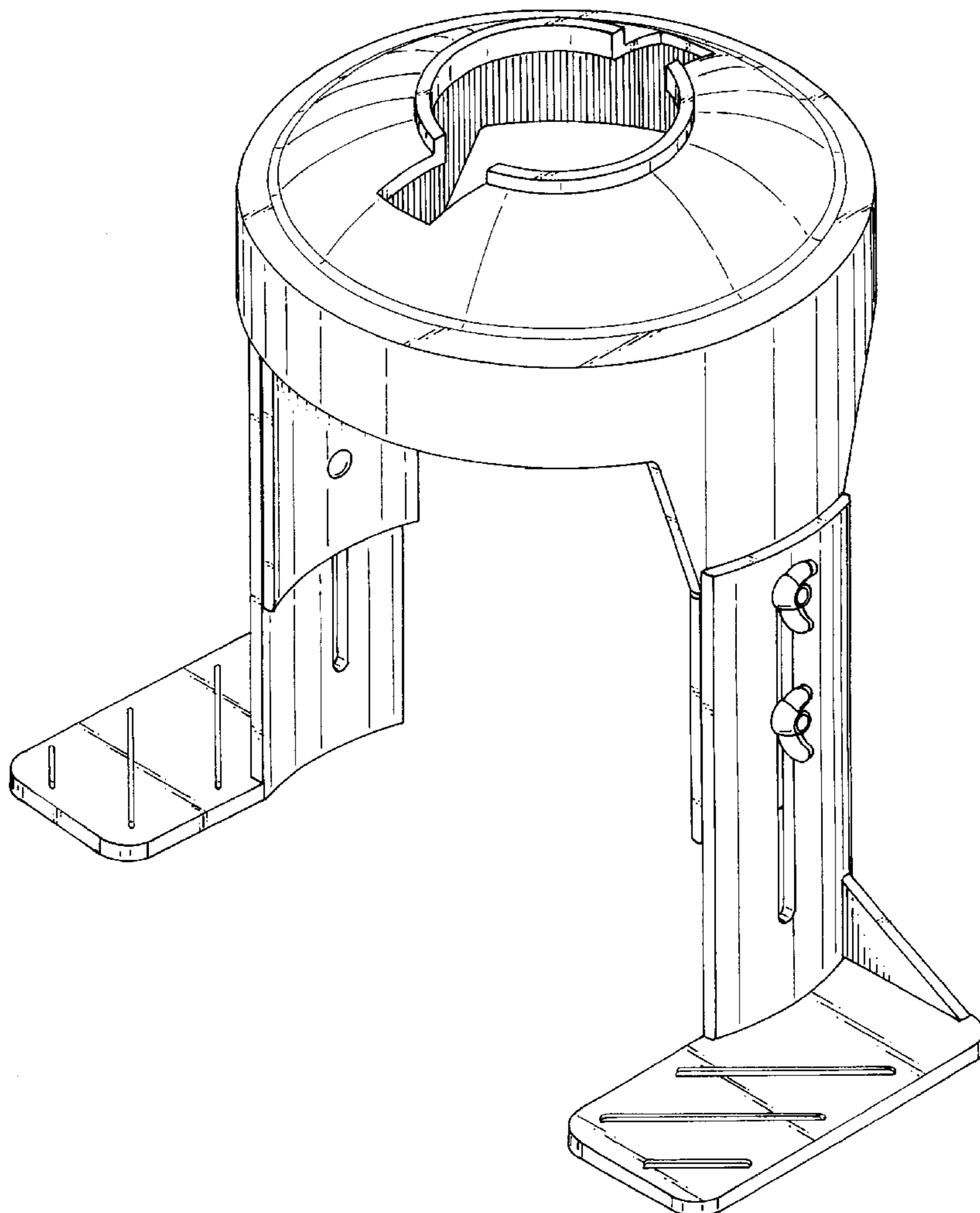
FIG. 3 is a top view thereof;

FIG. 4 is a left side view thereof;

FIG. 5 is a right side view thereof; and,

FIG. 6 is a perspective view of the invention.

**1 Claim, 4 Drawing Sheets**



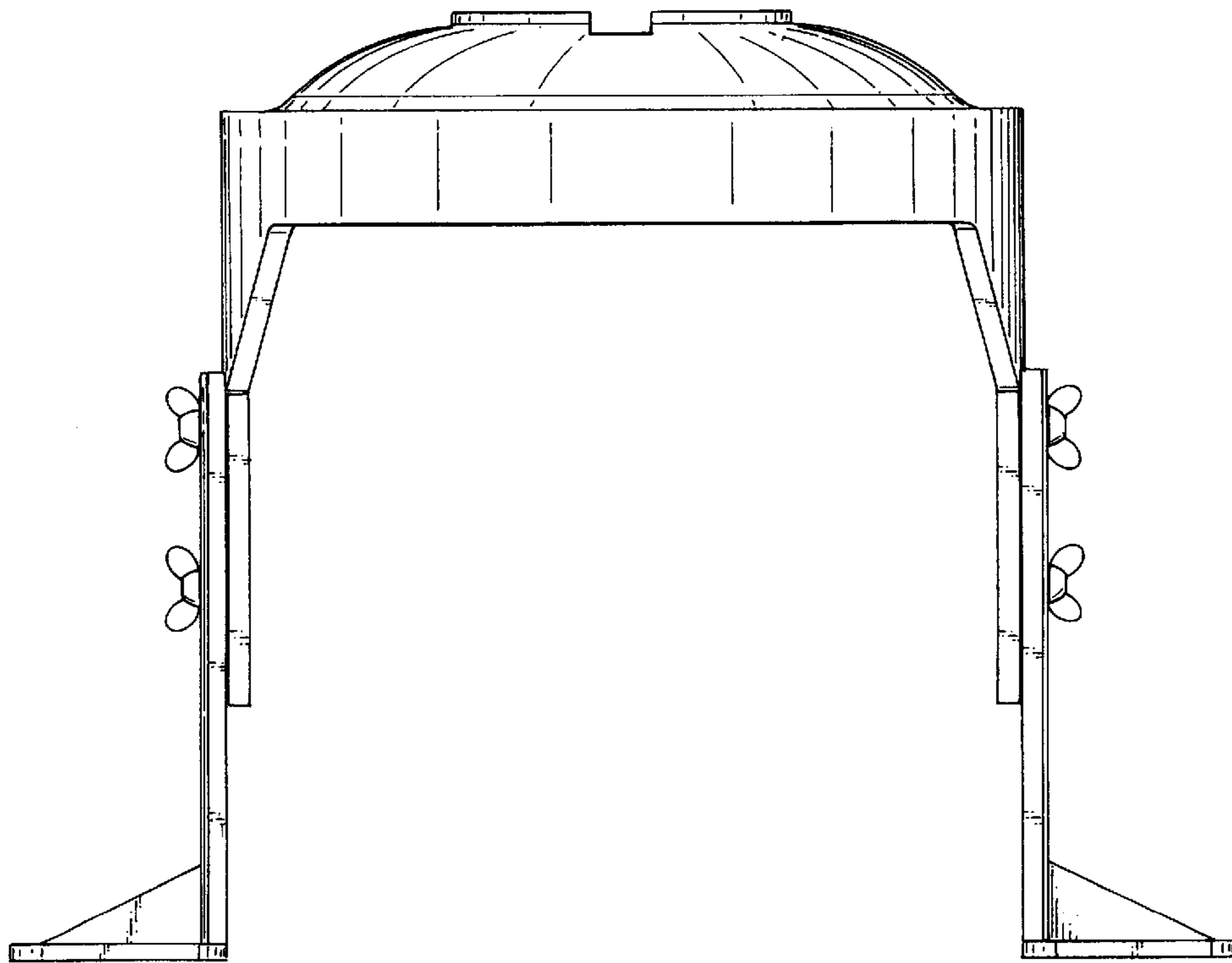


FIG. 1

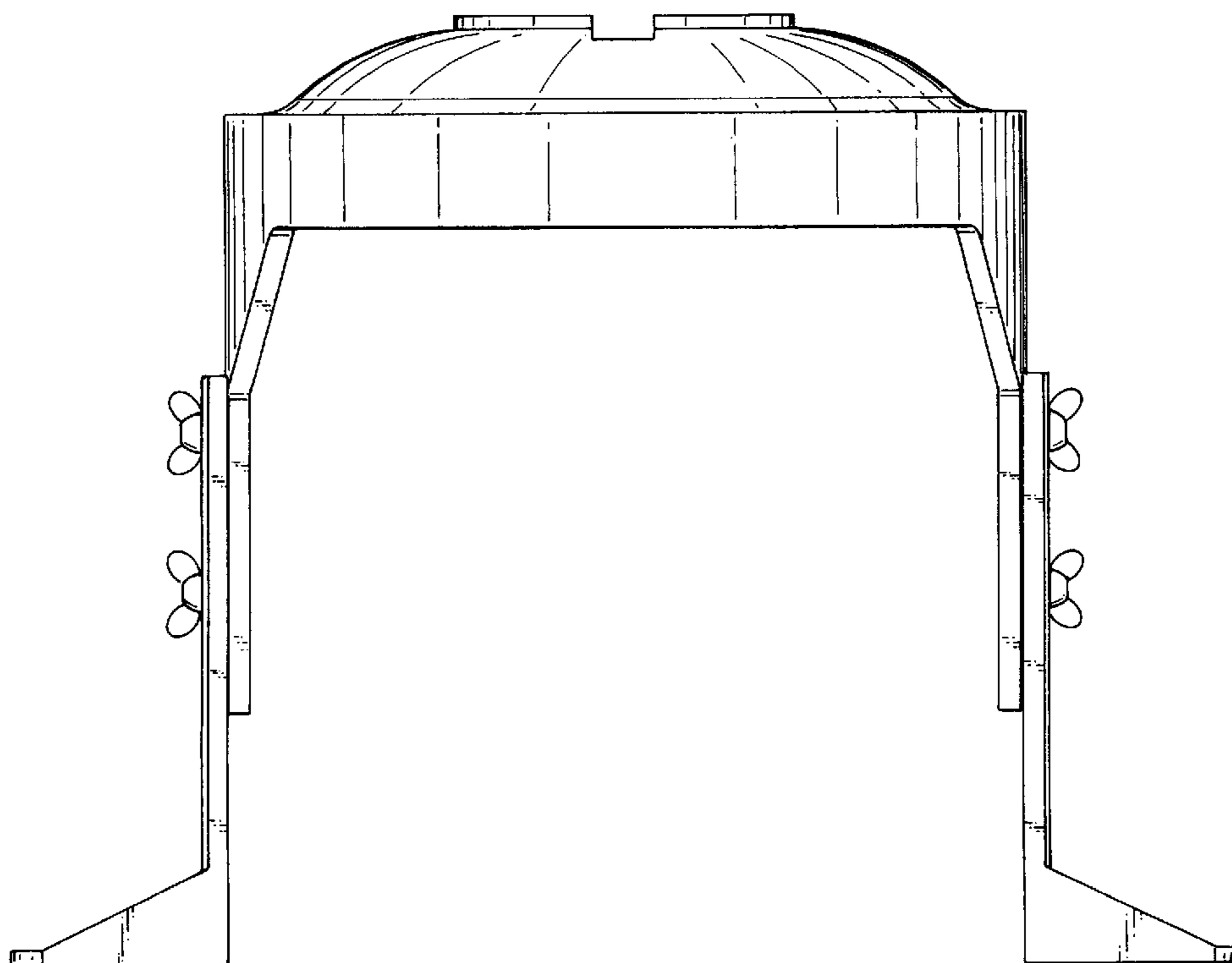


FIG. 2

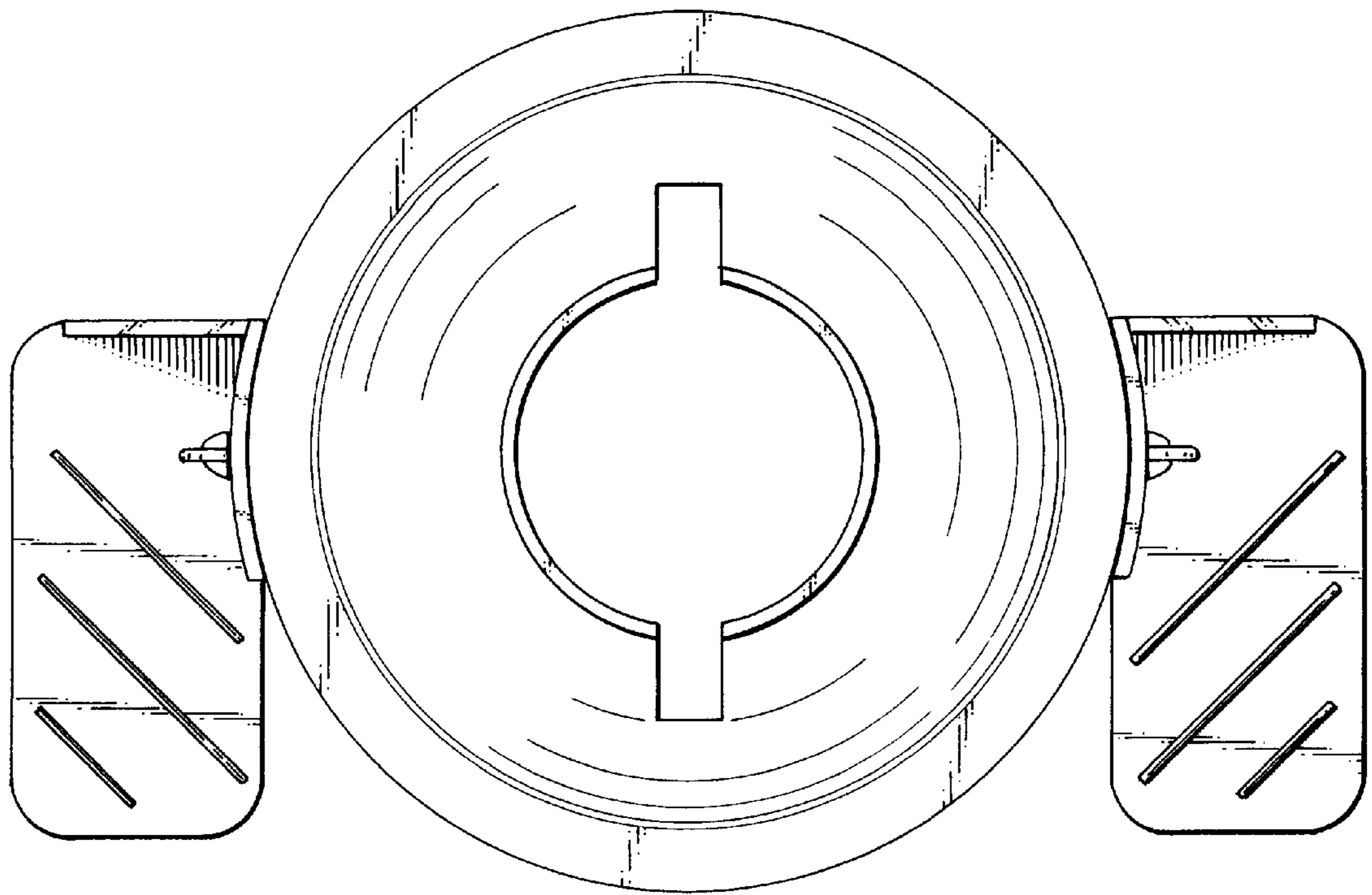


FIG. 3

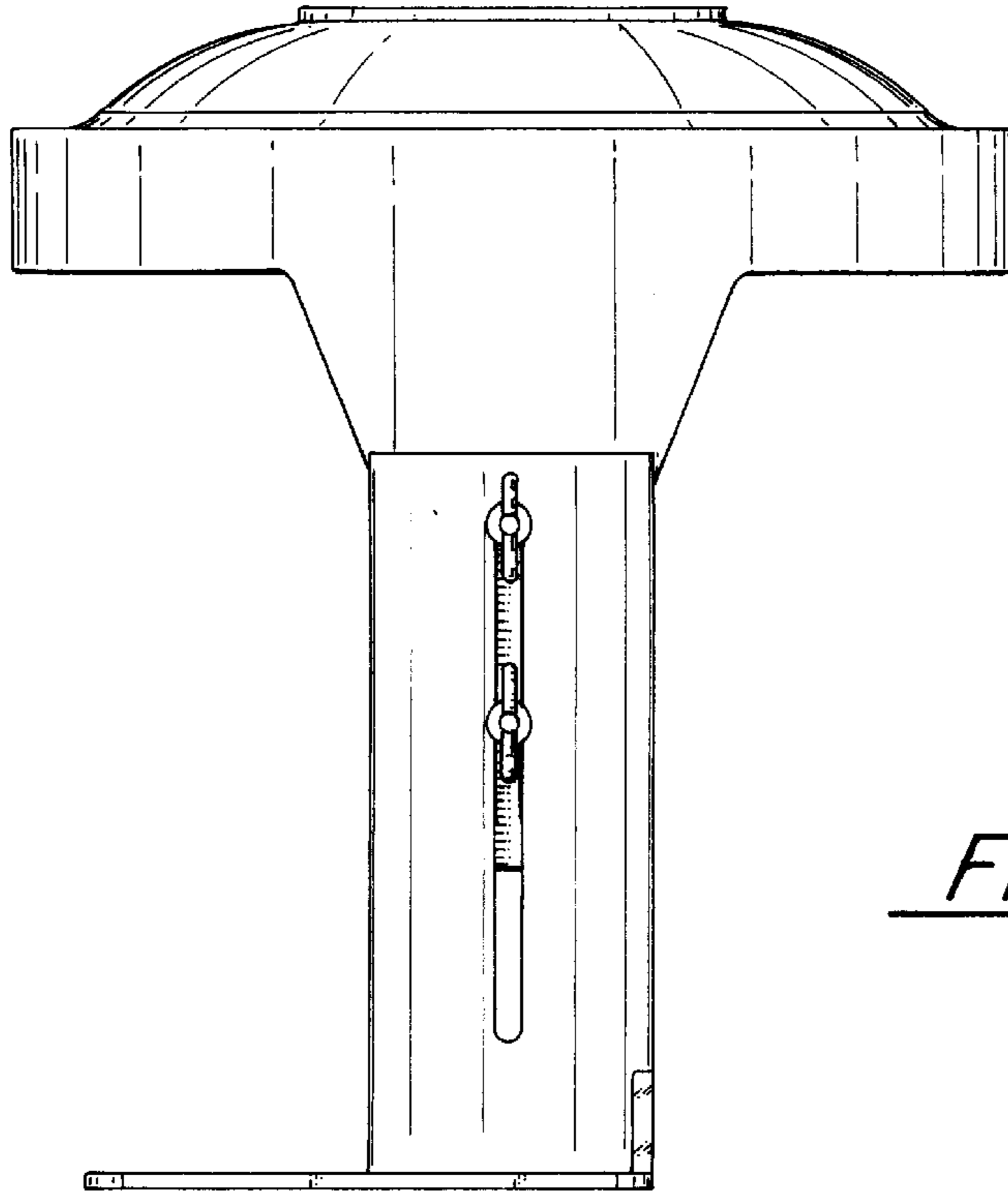


FIG. 4

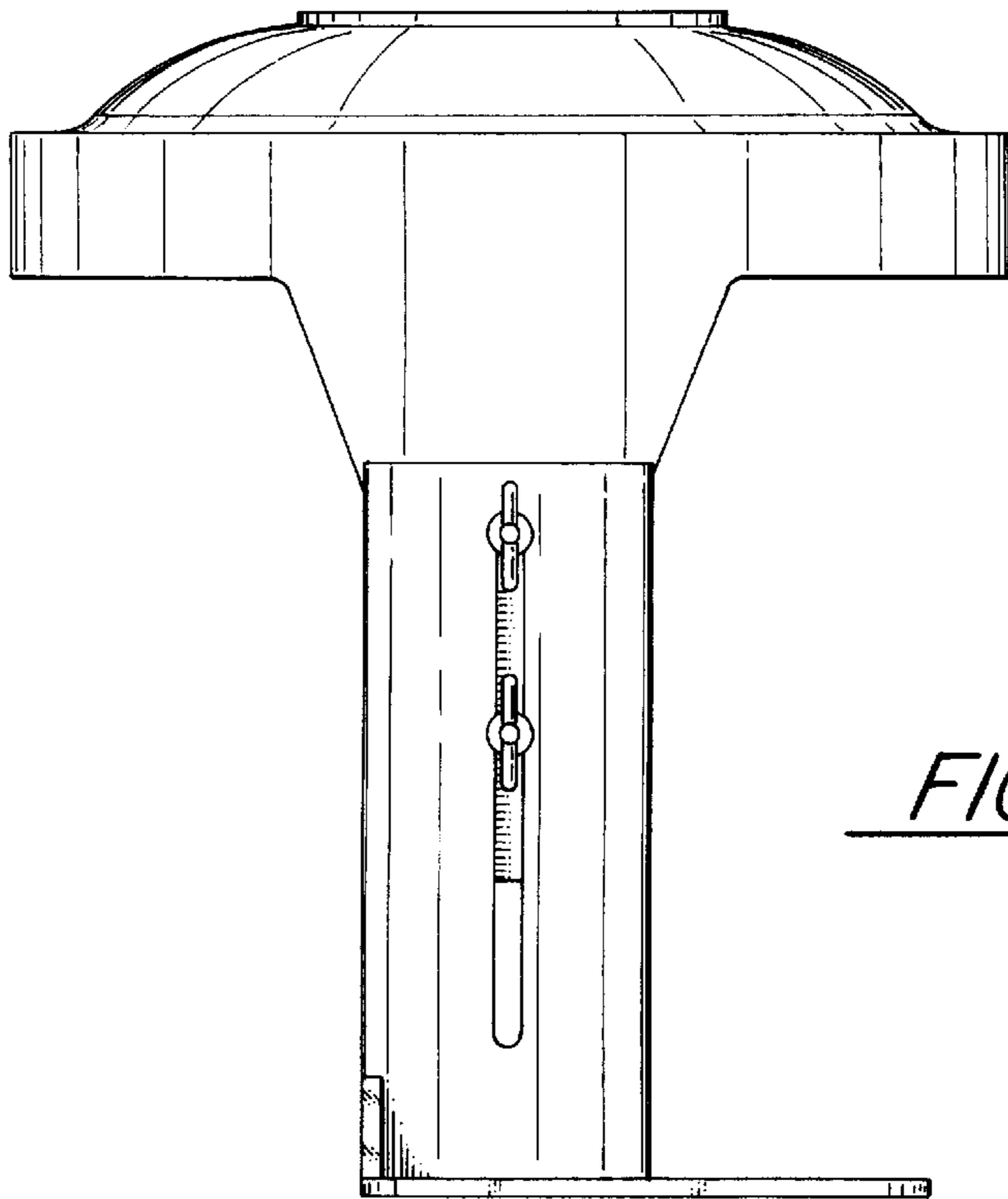


FIG. 5

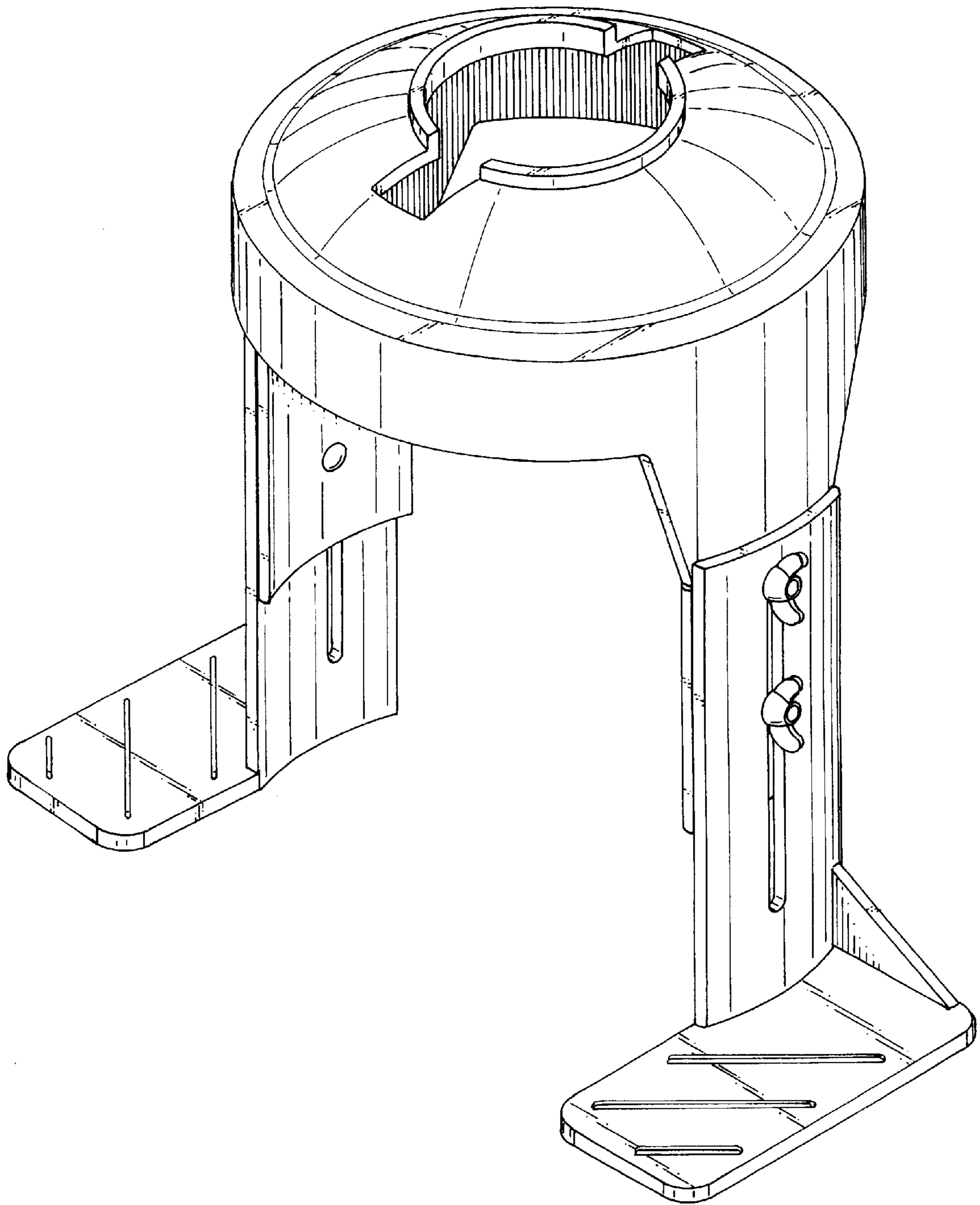


FIG. 6