



US00D438465S

(12) **United States Design Patent**
Burrus

(10) **Patent No.:** **US D438,465 S**

(45) **Date of Patent:** **** Mar. 6, 2001**

(54) **CARD-INDEX HOLDER**

4,765,466 * 8/1988 Ivey 206/232

(75) Inventor: **Gaetan Burrus**, Paris (FR)

* cited by examiner

(73) Assignee: **Editions Play Bac**, Paris (FR)

Primary Examiner—Prabhakar Deshmukh

(**) Term: **14 Years**

(74) *Attorney, Agent, or Firm*—Sughrue, Mion, Zinn,
Macpeak & Seas, PLLC

(21) Appl. No.: **29/112,971**

(57) **CLAIM**

(22) Filed: **Oct. 28, 1999**

The ornamental design for a card-index holder, as shown and described.

(30) **Foreign Application Priority Data**

DESCRIPTION

Apr. 29, 1999 (XH) DM/047 655

(51) **LOC (7) Cl.** **09-03**

FIG. 1 is a perspective view of a card-index holder showing my new design; in an open position;

(52) **U.S. Cl.** **D9/423; D9/422; D9/432**

FIG. 2 is a perspective view thereof; in a closed position;

(58) **Field of Search** D9/422, 420, 423,
D9/432, 414, 341, 346; 206/730–735, 232,
472, 450, 45.2, 45.23, 193, 273, 387.1

FIG. 3 is a right side elevational view thereof;

FIG. 4 is a rear elevational view thereof;

FIG. 5 is a top plan view thereof;

FIG. 6 is a front elevational view thereof;

FIG. 7 is a left side elevational view thereof;

FIG. 8 is a perspective view thereof, similar to FIG. 1 with the card-index removed;

(56) **References Cited**

U.S. PATENT DOCUMENTS

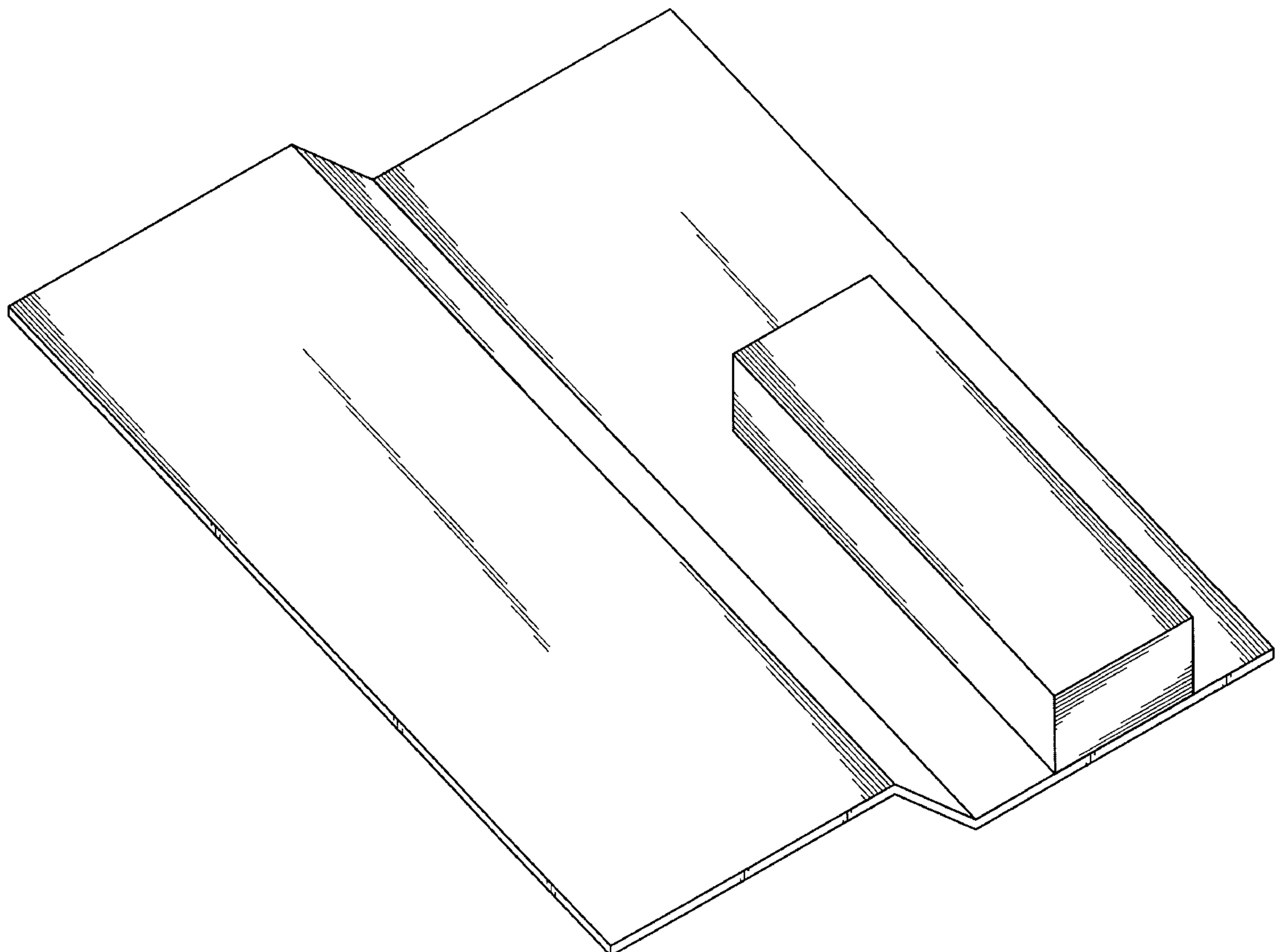
- D. 283,303 * 4/1986 Montealeger D9/423
- D. 296,988 * 8/1988 Yamada D9/415
- D. 395,391 * 6/1998 Landis et al. D9/423 X
- 2,076,683 * 4/1937 Tharp 206/730
- 3,851,762 * 12/1974 Liblick 206/450
- 4,129,212 * 12/1978 Hopkins 206/450

FIG. 9 is a front elevational view of FIG. 8; in a closed position; and,

FIG. 10 is a right side elevational view of FIG. 8; in a closed position.

The broken lines showing of card-index are for illustrative purpose only and forms no part of the claimed design.

1 Claim, 4 Drawing Sheets



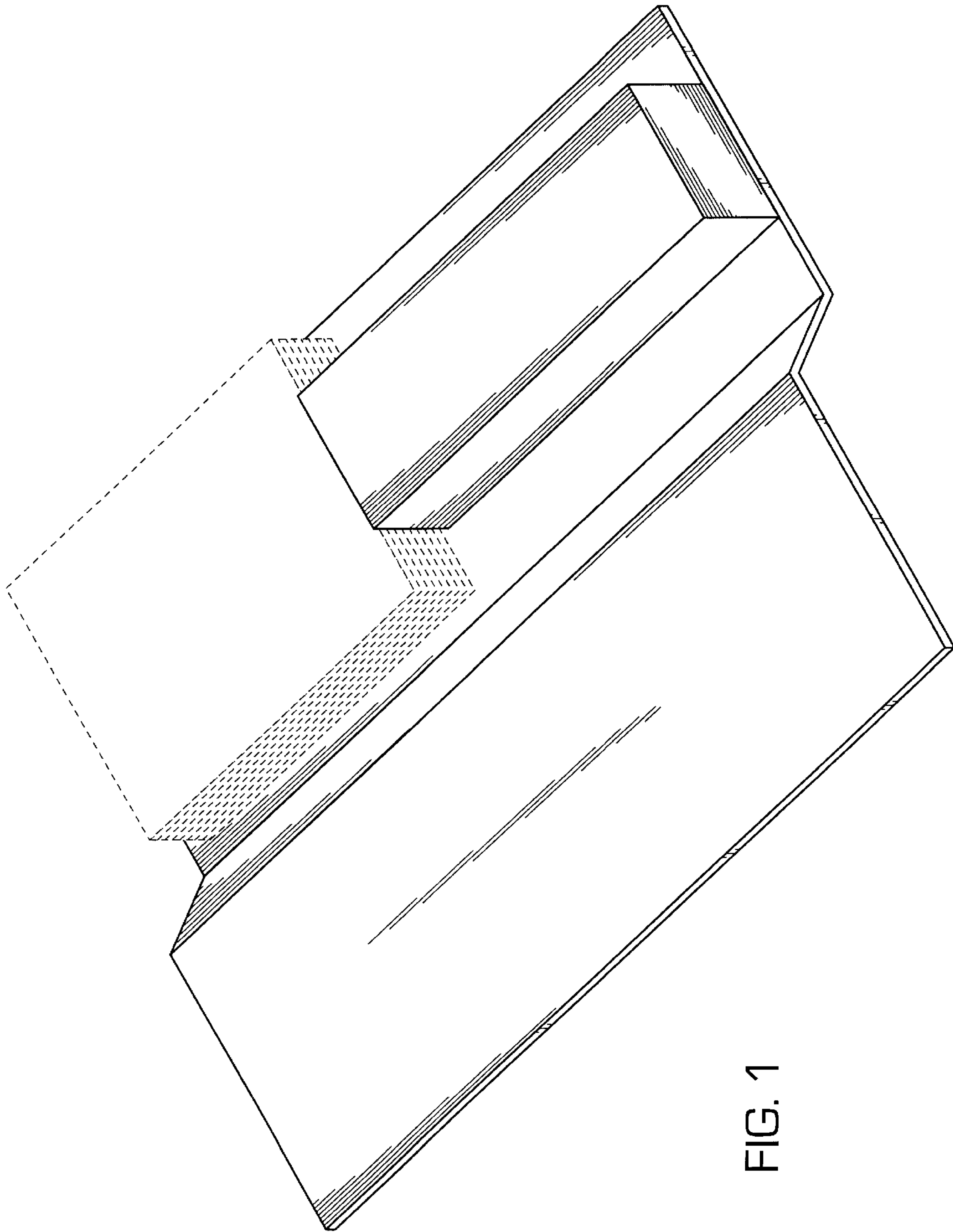


FIG. 1

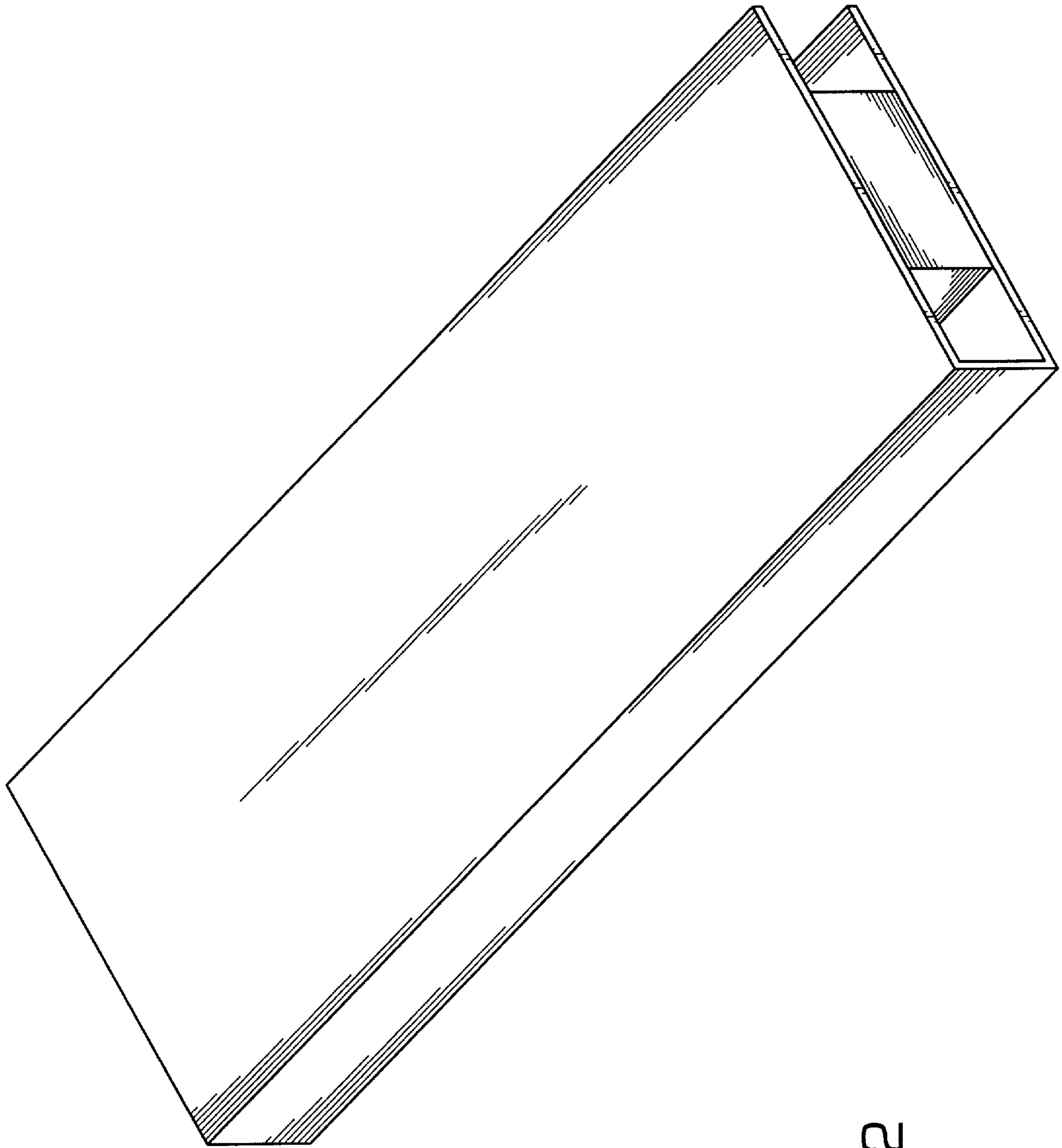


FIG. 2

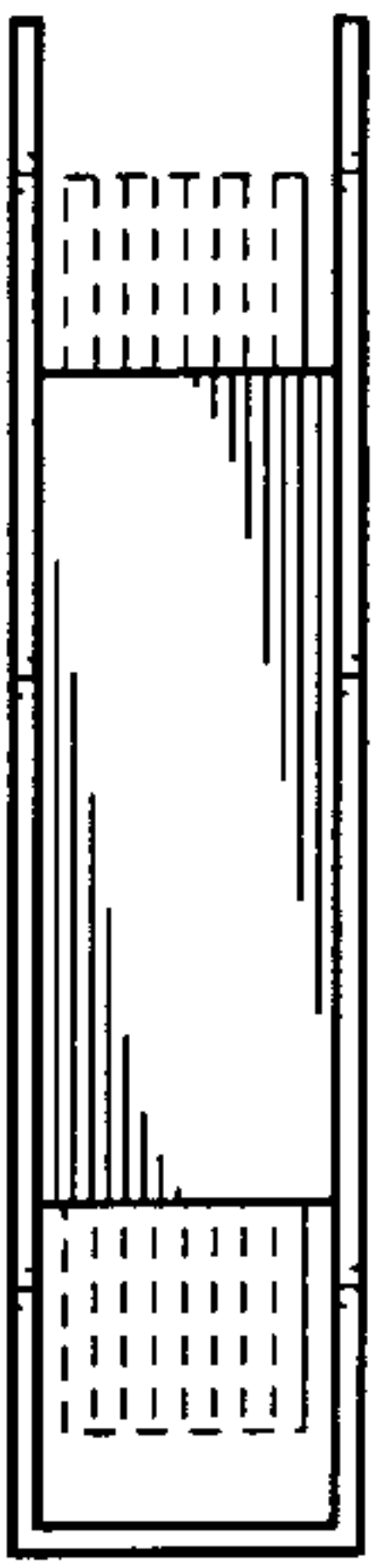


FIG. 3

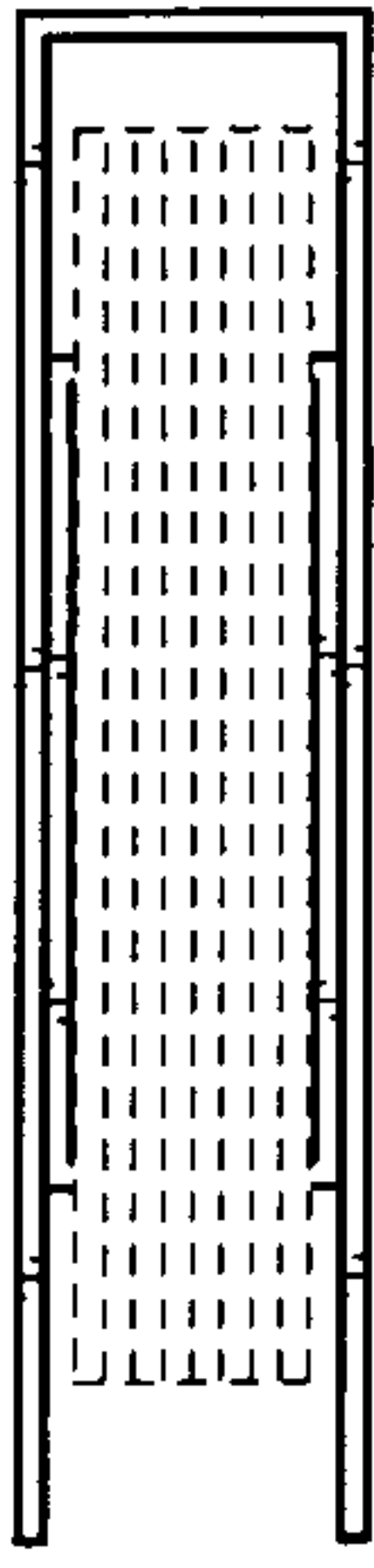


FIG. 7



FIG. 10

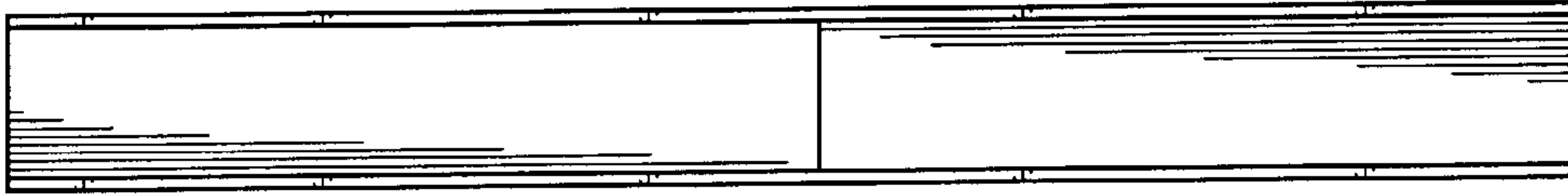


FIG. 9

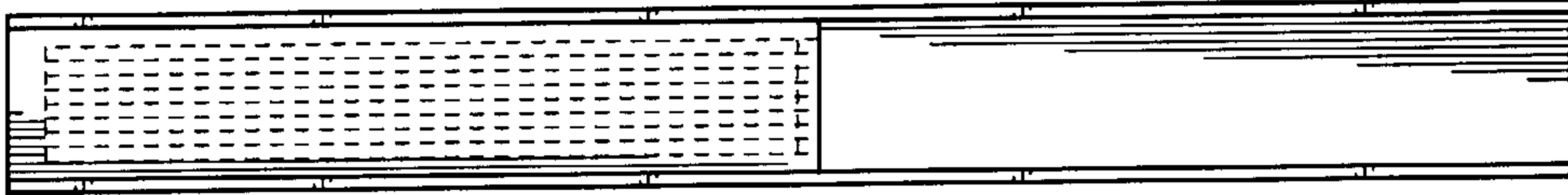


FIG. 6

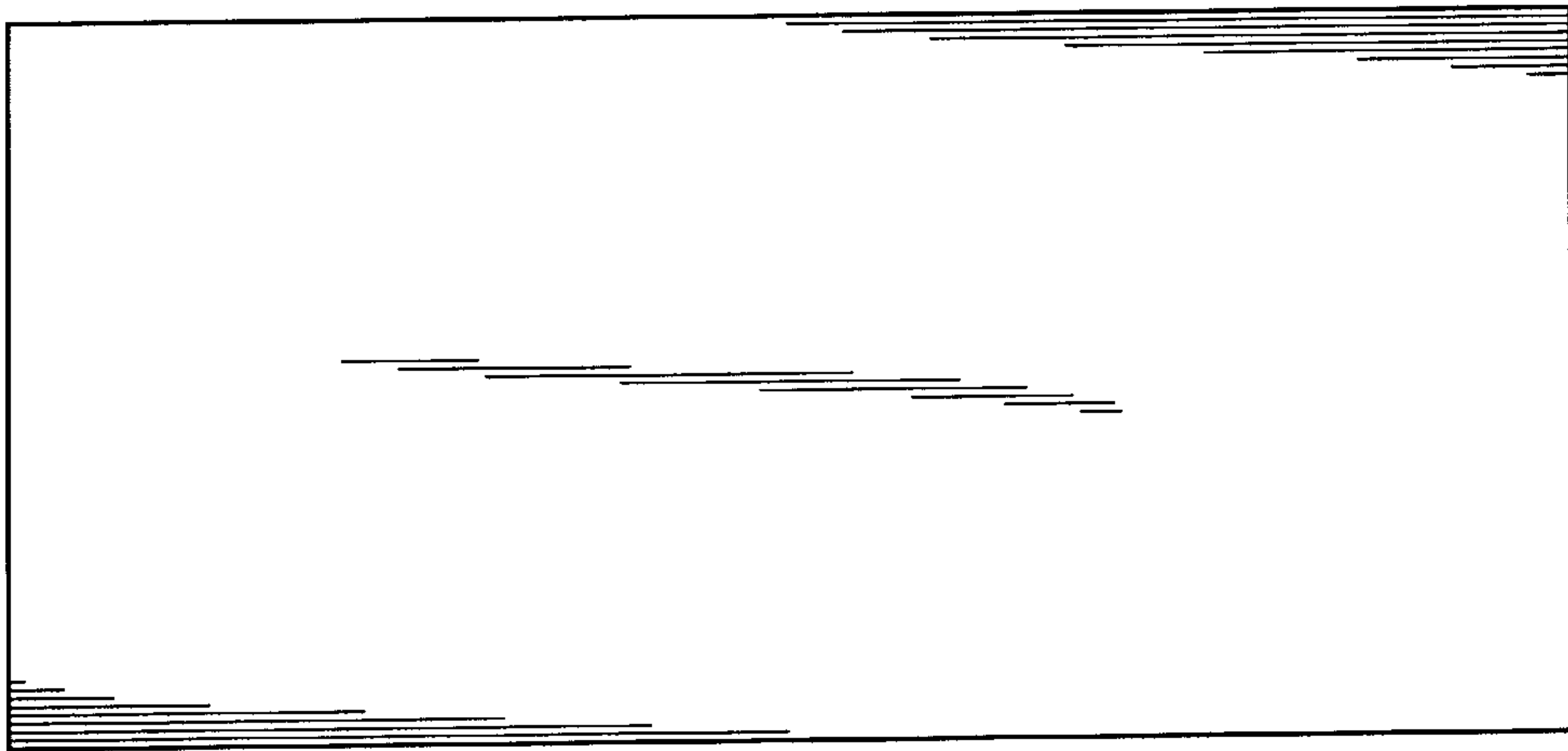


FIG. 5

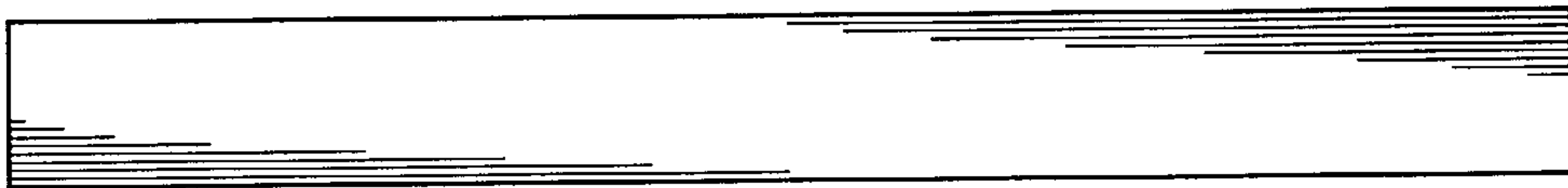


FIG. 4

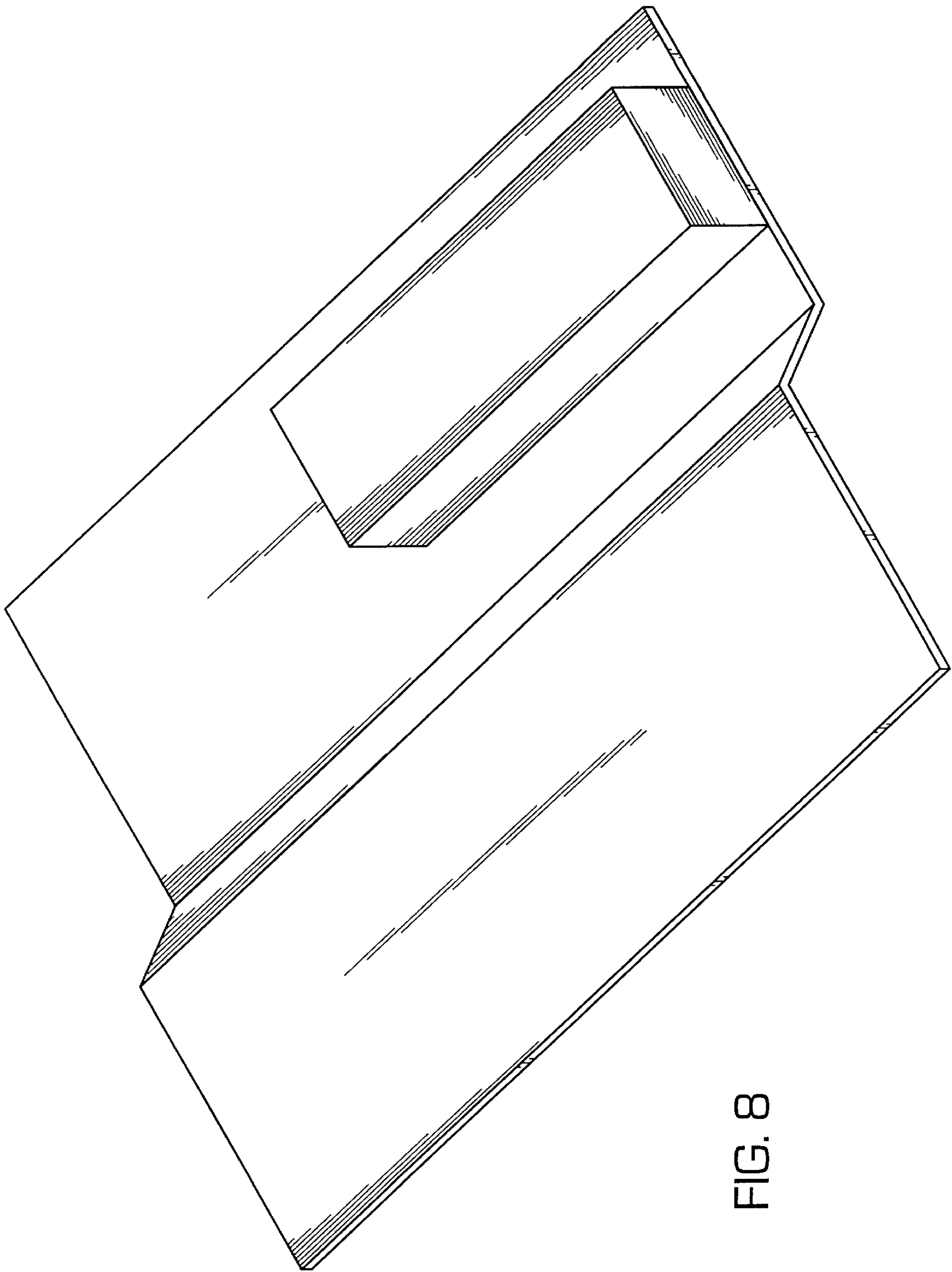


FIG. 8