



US00D438463S

(12) **United States Design Patent**  
**Schill et al.**

(10) **Patent No.:** **US D438,463 S**

(45) **Date of Patent:** **\*\* Mar. 6, 2001**

(54) **CONTAINER BOX**

5,535,940 \* 7/1996 Olds ..... 229/906  
5,900,264 \* 5/1999 Gics ..... 229/903

(75) Inventors: **Rob Schill**, Haslett; **Ward Olgreen**,  
Irving, both of TX (US)

\* cited by examiner

(73) Assignee: **Pizza Inn**, Dallas, TX (US)

*Primary Examiner*—Prabhakar Deshmukh  
(74) *Attorney, Agent, or Firm*—Venable; Catherine M.  
Voorhees; Eric J. Weierstall

(\*\*) Term: **14 Years**

(21) Appl. No.: **29/116,164**

(57) **CLAIM**

(22) Filed: **Dec. 28, 1999**

The ornamental design for a container box, as shown and described.

(51) **LOC (7) Cl.** ..... **09-03**

**DESCRIPTION**

(52) **U.S. Cl.** ..... **D9/416; D9/430**

(58) **Field of Search** ..... D9/416, 414, 430,  
D9/431; 229/108, 111, 115, 116.1, 116.2,  
123.3, 210, 221, 223, 238, 925, 924, 926,  
904.1, 903, 904; 206/730, 551, 216

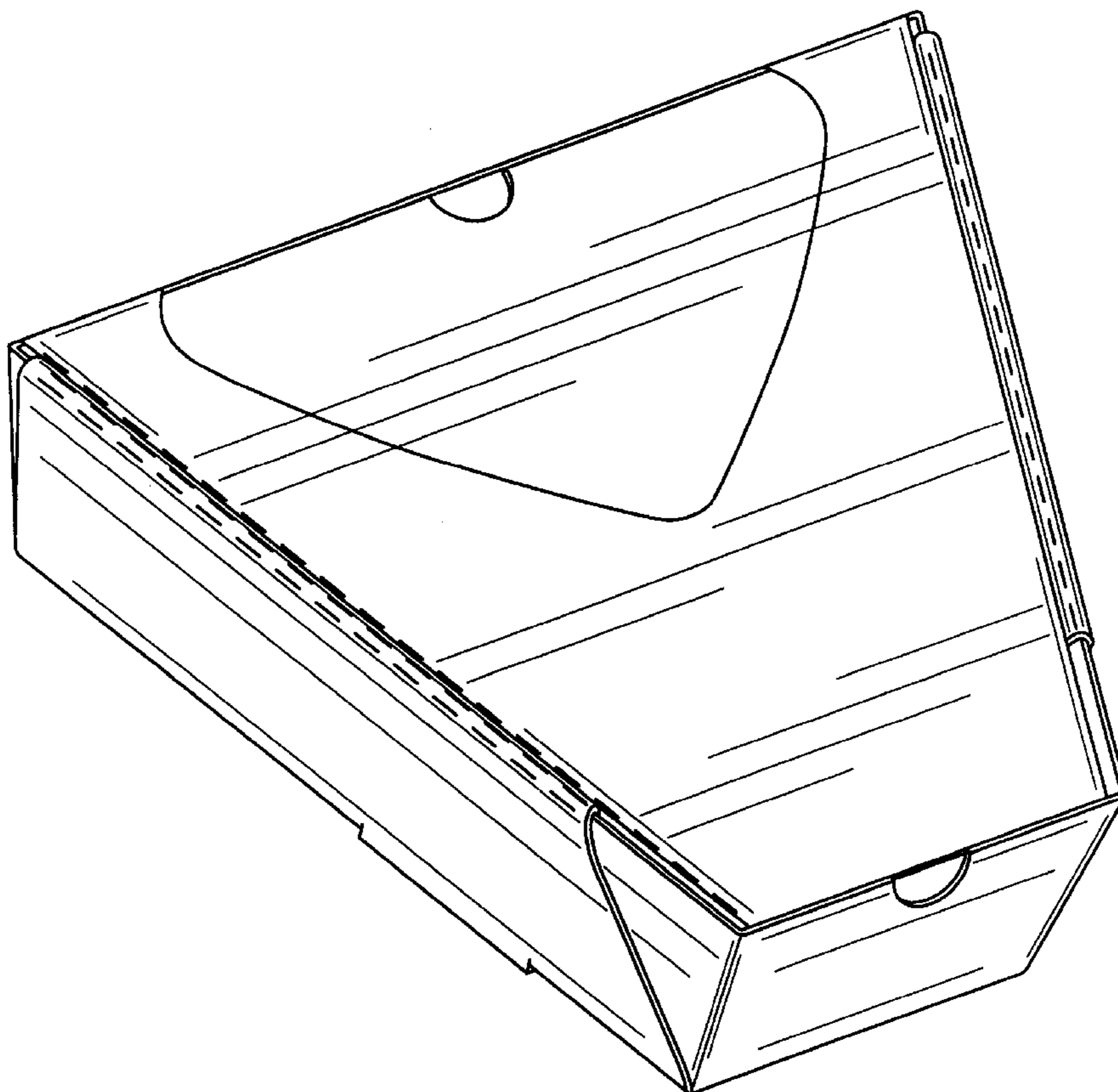
FIG. 1 is a perspective view of a container box showing our design;  
FIG. 2 is a front view of a container box;  
FIG. 3 is a rear view of a container box;  
FIG. 4 is a top view of a container box;  
FIG. 5 is a bottom view of a container box;  
FIG. 6 is a left side view of a container box as shown in FIG. 1, the right side being the mirror image of the left side; and, FIG. 7 is a perspective view thereof; similar to FIG. 1, shown in it's environmental use; the broken line showing of a second container, to be inserted into the container, is for illustrative purpose only and forms no part of the claimed design.

(56) **References Cited**

**U.S. PATENT DOCUMENTS**

D. 272,806	*	2/1984	Handy et al.	.....	D9/416
D. 356,254	*	3/1995	Correll	.....	D9/430
D. 420,585	*	2/2000	Guillin	.....	D9/430
2,220,110	*	1/1940	Layton	.....	229/115
3,301,391	*	1/1967	Guyer	.....	229/924
3,357,544	*	12/1967	Gingher	.....	229/115
4,419,373	*	12/1983	Oppermann	.....	229/903
5,510,132	*	4/1996	Gallo, Jr.	.....	229/903

**1 Claim, 7 Drawing Sheets**



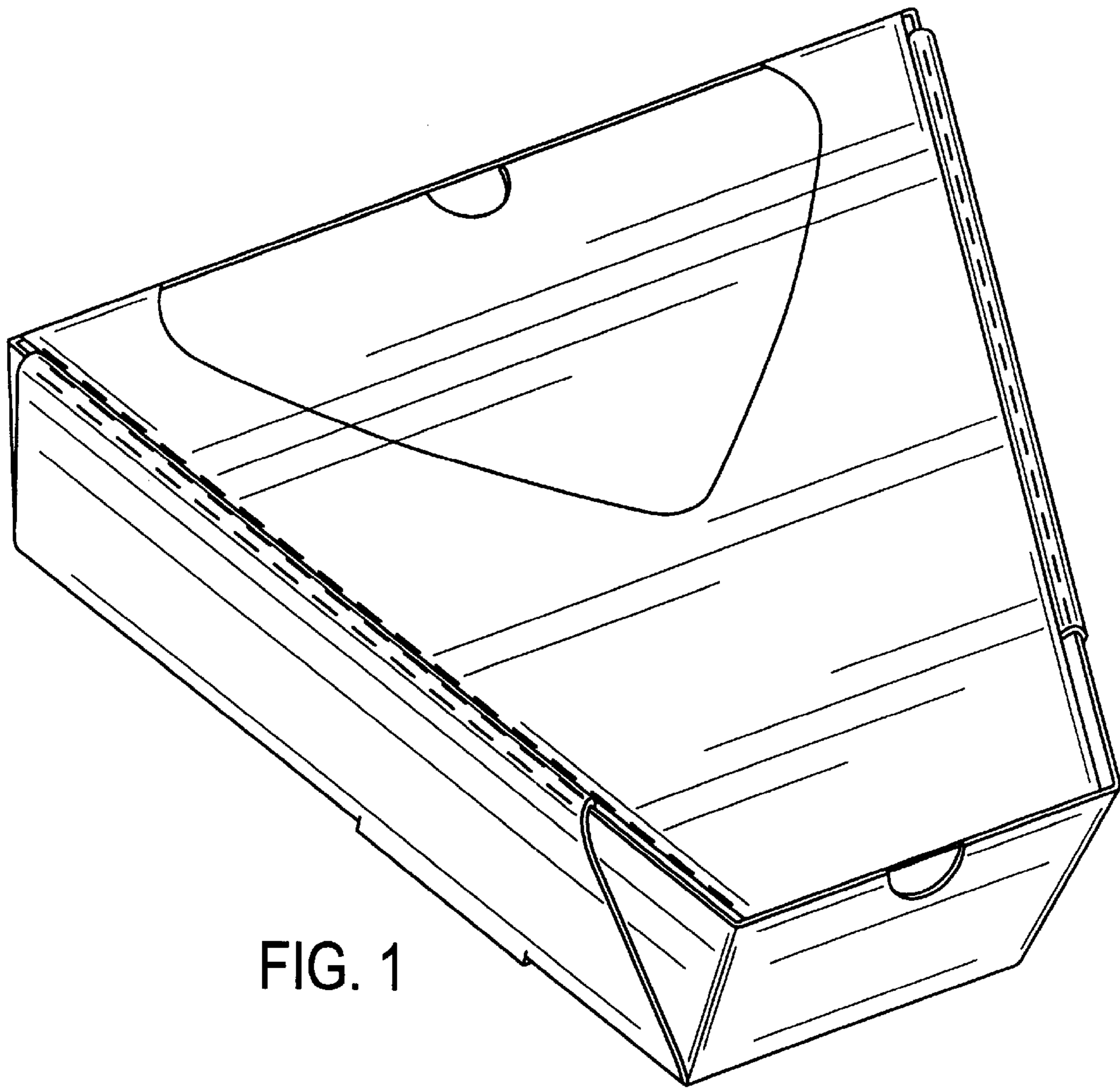


FIG. 1

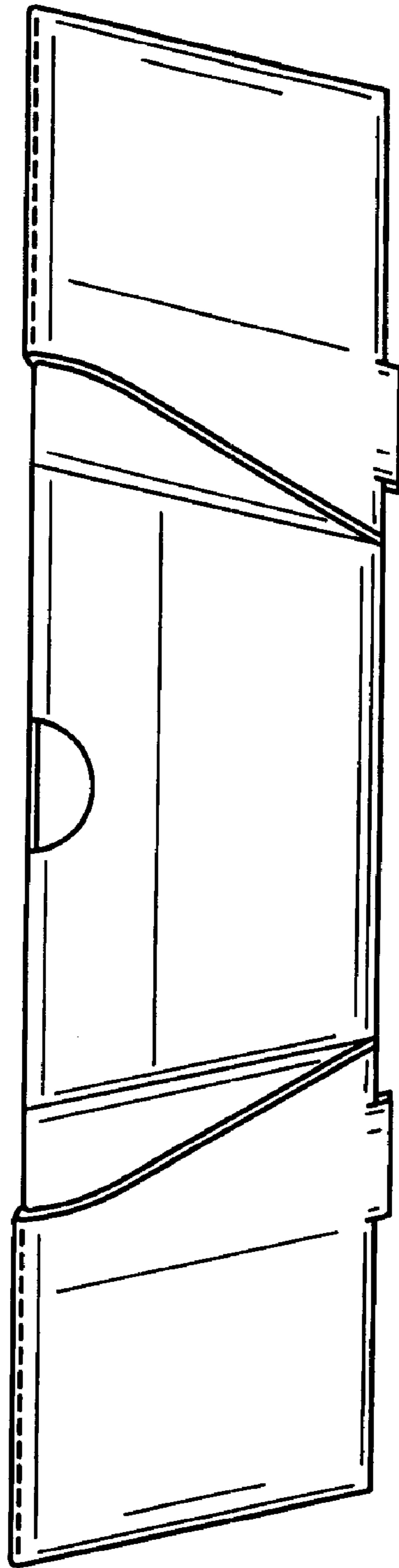


FIG. 2

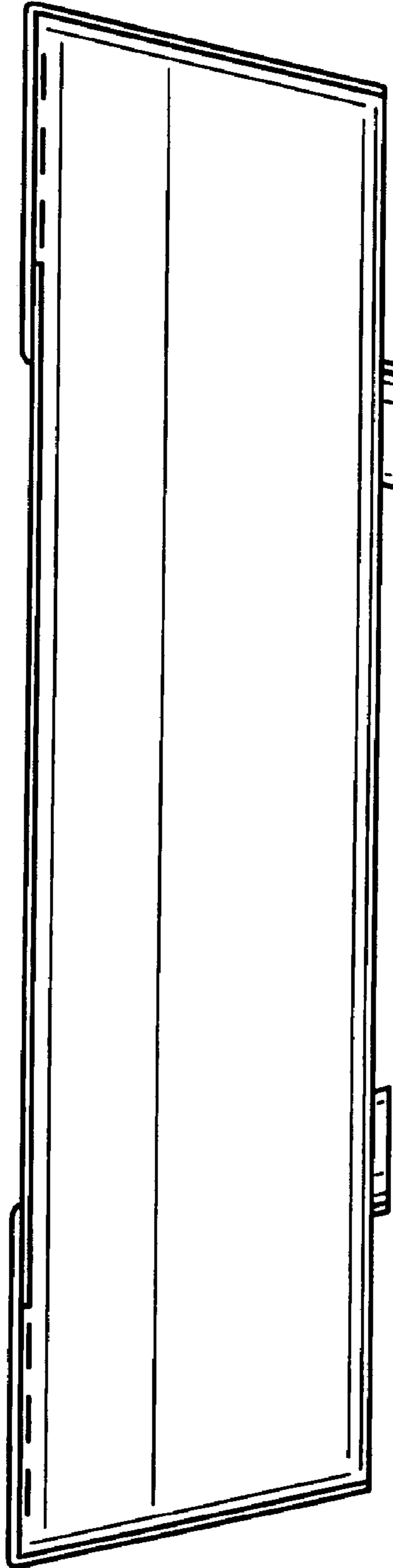


FIG. 3

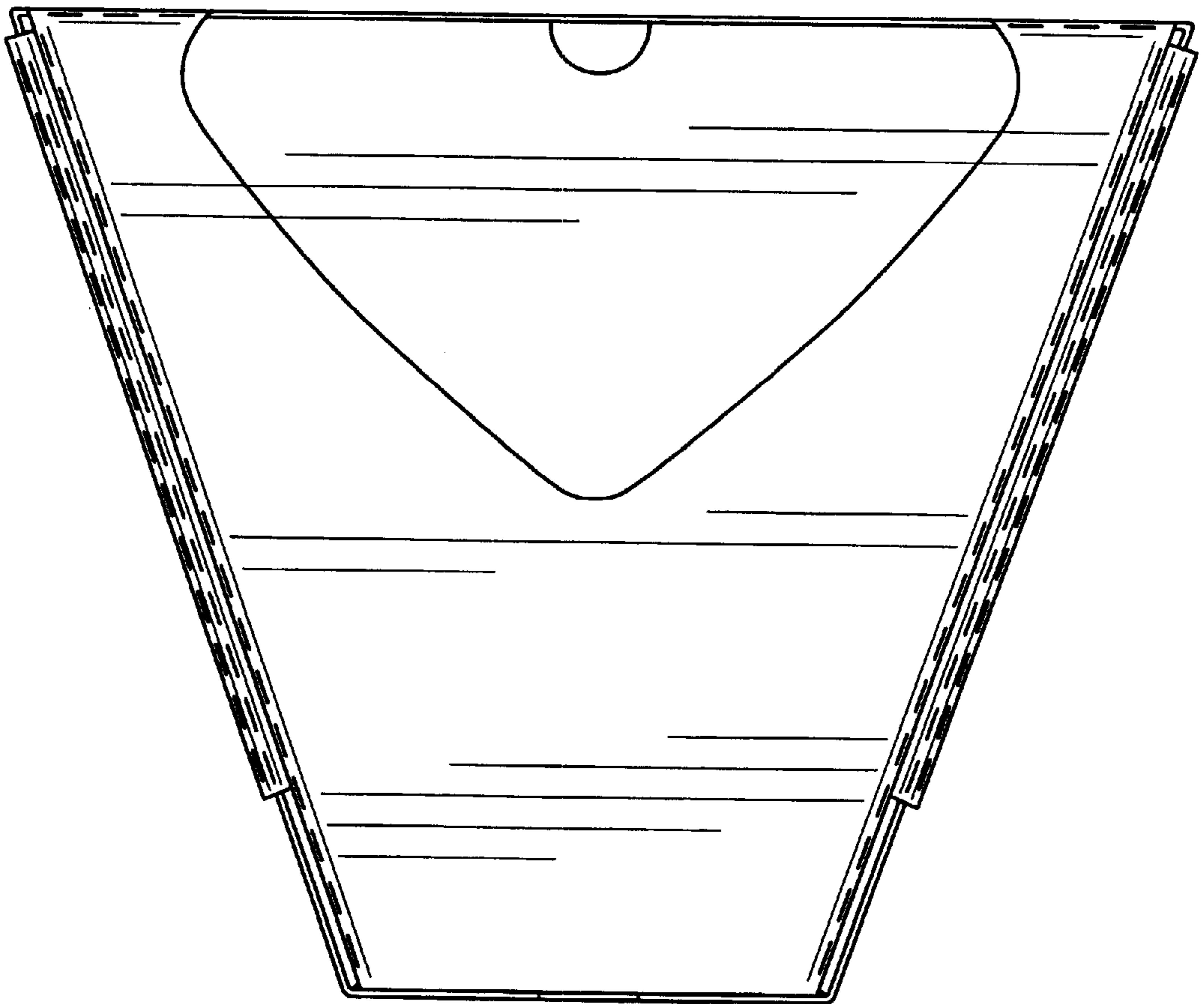


FIG. 4

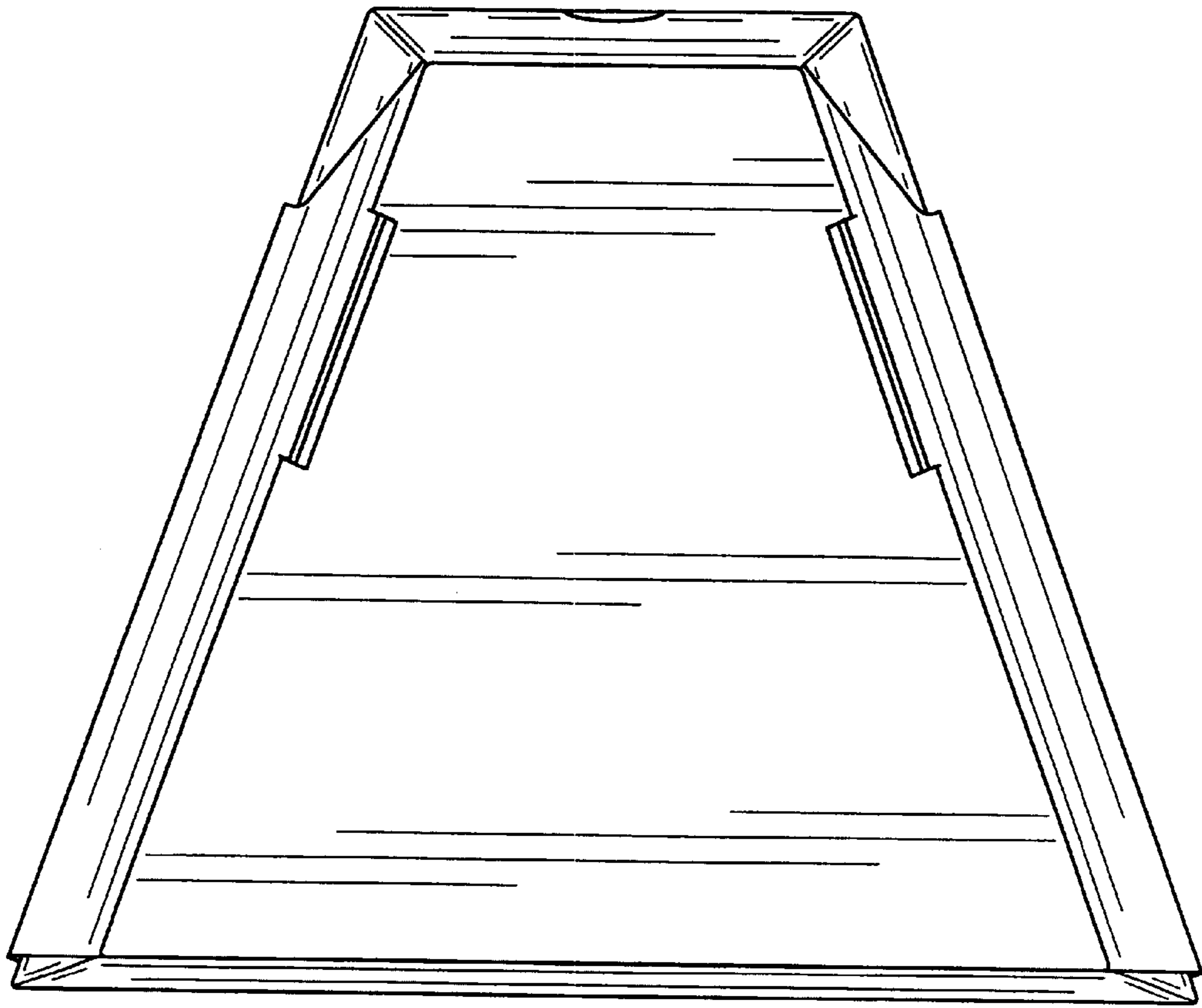


FIG. 5

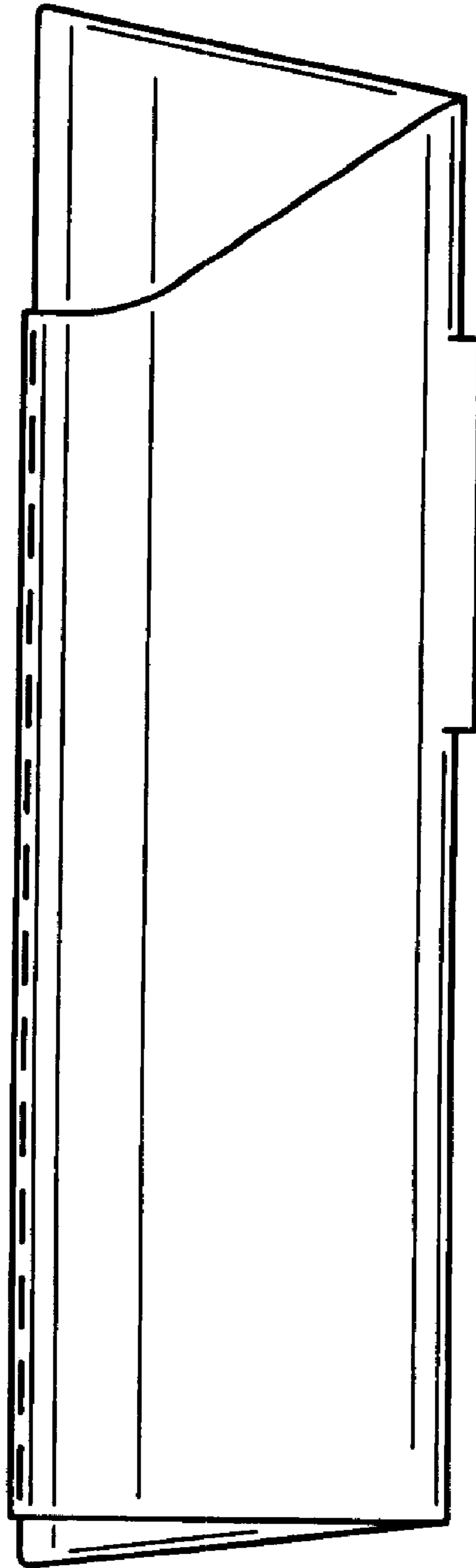


FIG. 6



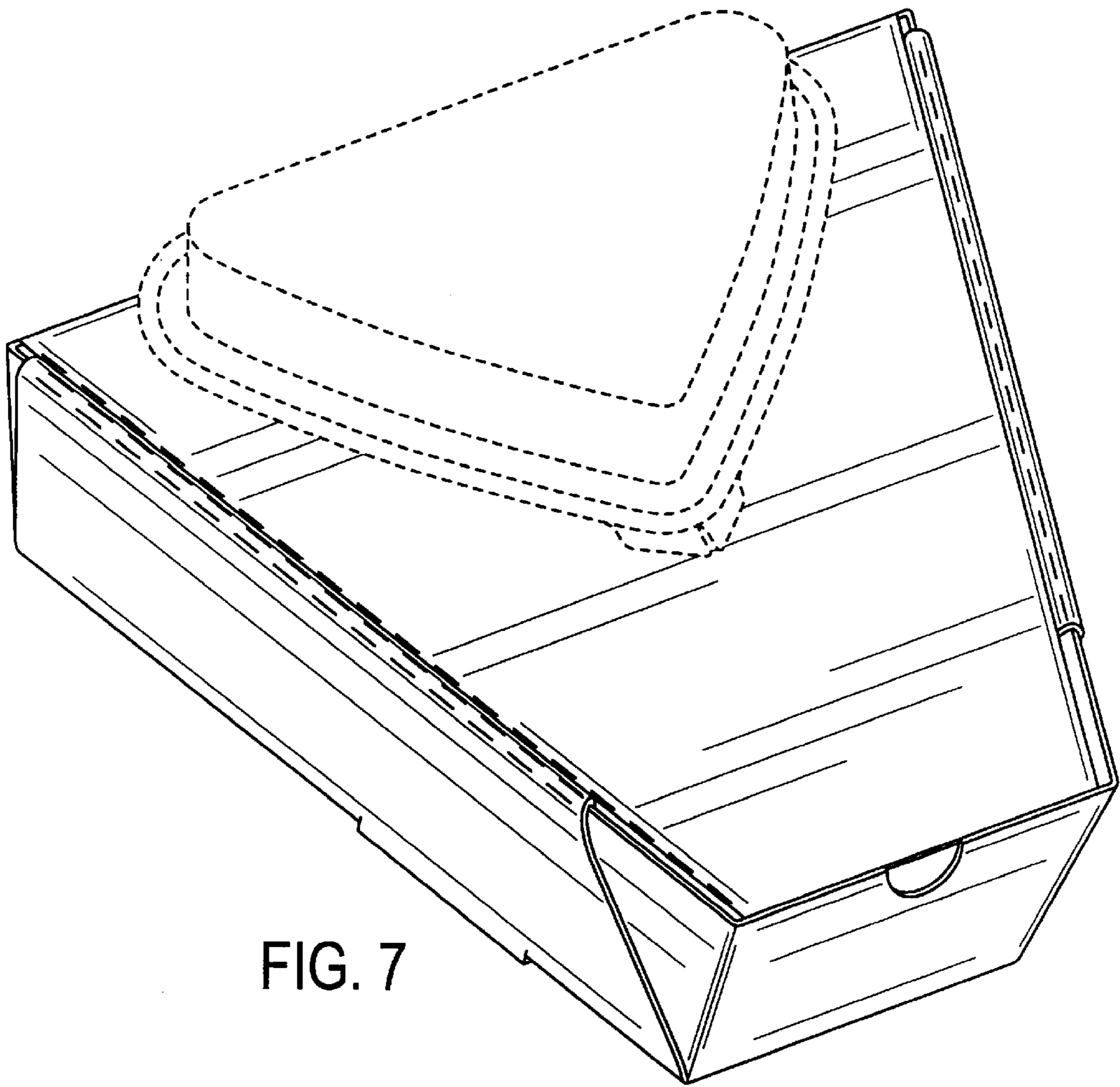


FIG. 7