



US00D438462S

(12) **United States Design Patent**
Nichol

(10) **Patent No.:** **US D438,462 S**

(45) **Date of Patent:** **** Mar. 6, 2001**

(54) **DISPLAY APPARATUS**

(75) Inventor: **Gordon Nichol**, Newcastle (GB)

(73) Assignee: **Black & Decker Inc.**, Newark, DE (US)

(**) Term: **14 Years**

(21) Appl. No.: **29/110,391**

(22) Filed: **Sep. 3, 1999**

Related U.S. Application Data

(63) Continuation-in-part of application No. 29/080,912, filed on Dec. 19, 1997, now Pat. No. Des. 420,577.

(30) **Foreign Application Priority Data**

Mar. 5, 1999 (GB) 2081713

(51) **LOC (7) Cl.** **09-07**

(52) **U.S. Cl.** **D9/415**

(58) **Field of Search** D9/415, 455, 457,
D9/337; 206/461-471, 806, 349, 379, 479,
480, 445, 486; 211/69, 70.6

(56) **References Cited**

U.S. PATENT DOCUMENTS

- D. 349,289 * 8/1994 Steenland D9/415
- D. 366,829 * 2/1996 Chervenak et al. D9/415
- D. 383,843 * 9/1997 Griffin D9/415 X
- D. 402,885 * 12/1998 Stein D9/415
- 3,130,834 * 4/1964 Korzaan 206/349
- 4,634,005 * 1/1987 Kulzer et al. 206/349 X
- 4,899,877 * 2/1990 Kierman 206/349
- 5,279,420 * 1/1994 Rodgers 206/806 X
- 5,501,330 * 3/1996 Betts 206/349
- 5,699,907 * 12/1997 Langenstick 206/349

OTHER PUBLICATIONS

Modern Packaging, p. 300, Jan. 1941.*

Techform Inc., Jan. 1941.*

* cited by examiner

Primary Examiner—Prabhakar Deshmukh

(74) *Attorney, Agent, or Firm*—Charles E. Yocum

(57) **CLAIM**

The ornamental design for a display apparatus, as shown and described.

DESCRIPTION

FIG. 1 is a perspective view of a display apparatus in accordance with the invention.

FIG. 2 is a top plan view of the display apparatus of FIG. 1.

FIG. 3 is a bottom plan view of the display apparatus of FIG. 1.

FIG. 4 is an elevational view taken from one side of the display apparatus of FIG. 1.

FIG. 5 is an elevational view taken from the other side of the display apparatus of FIG. 1.

FIG. 6 is a front elevational view of the display apparatus of FIG. 1.

FIG. 7 is a rear elevation view of the display apparatus of FIG. 1.

FIG. 8 is a perspective view of another embodiment of a display apparatus in accordance with the invention.

FIG. 9 is a top plan view of the display apparatus of FIG. 8.

FIG. 10 is a bottom plan view of the display apparatus of FIG. 8.

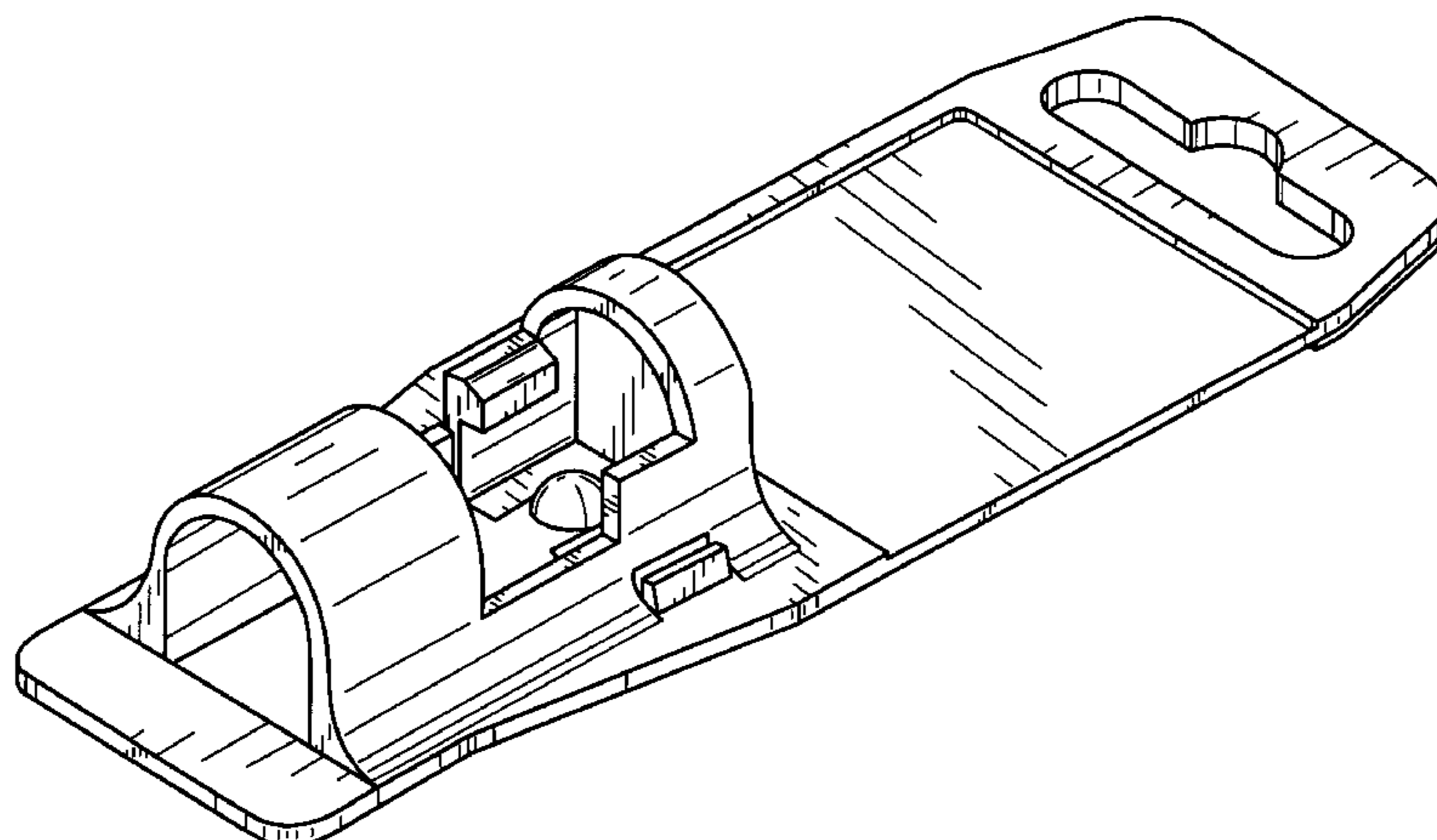
FIG. 11 is an elevational view taken from one side of the display apparatus of FIG. 8.

FIG. 12 is an elevational view taken from the other side of the display apparatus of FIG. 8.

FIG. 13 is a front elevational view of the display apparatus of FIG. 8; and,

FIG. 14 is a rear elevational view of the display apparatus of FIG. 8.

1 Claim, 4 Drawing Sheets



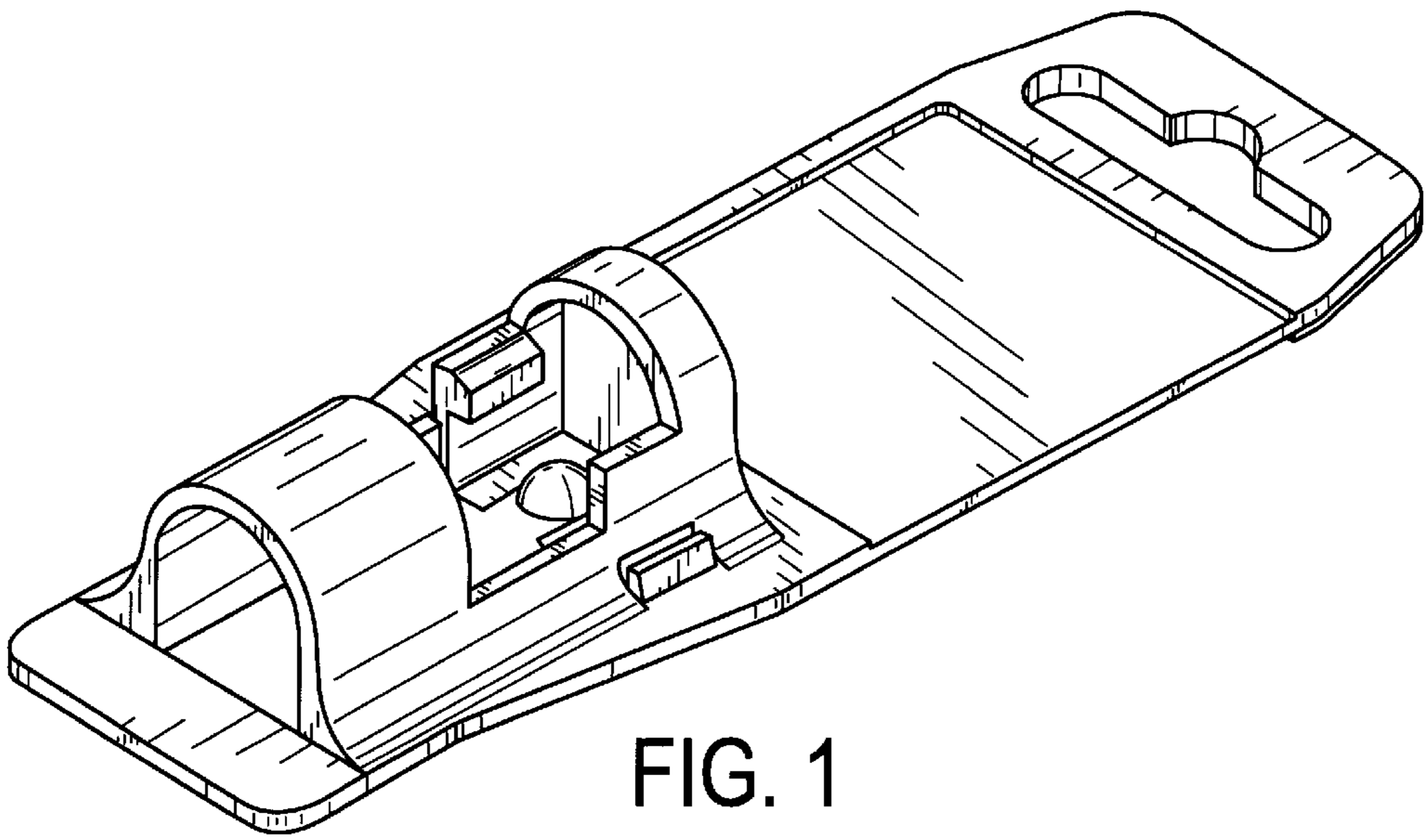


FIG. 1

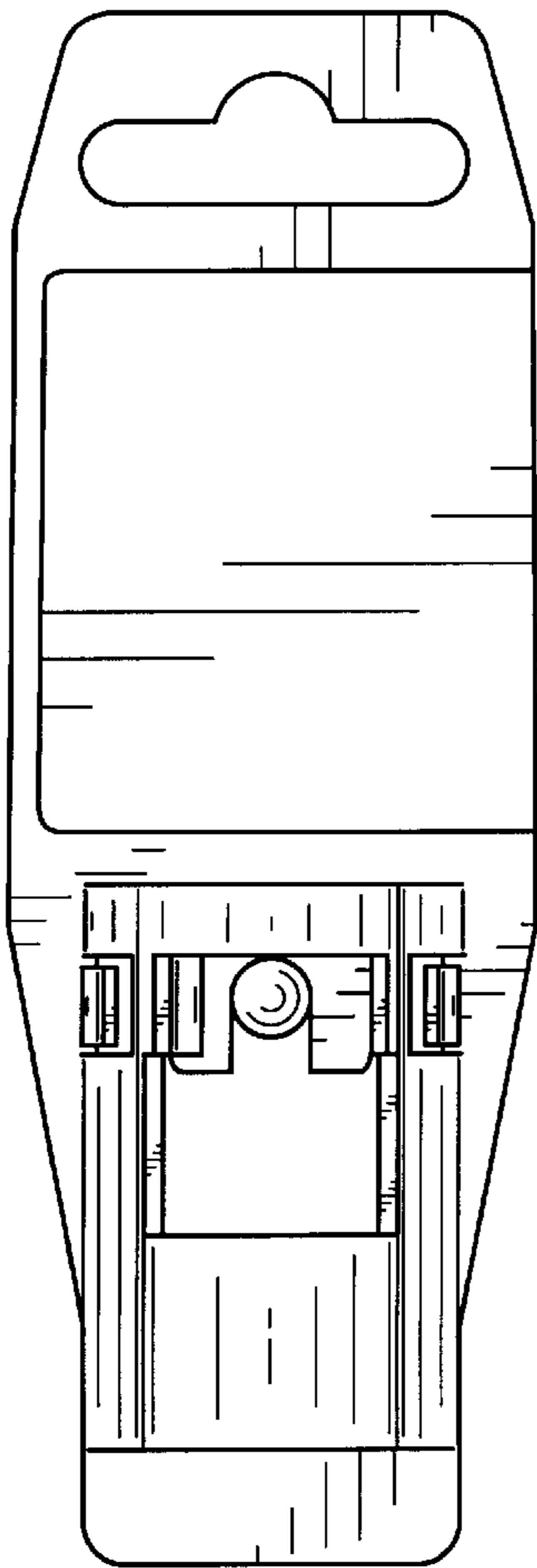


FIG. 2

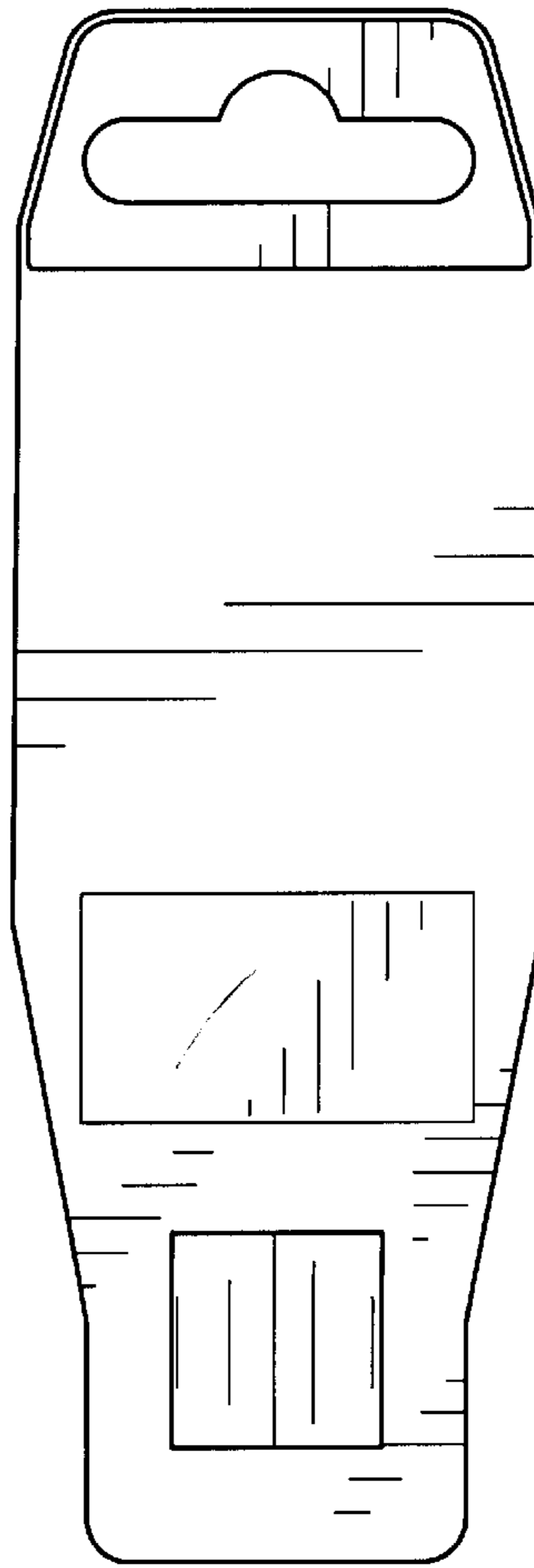


FIG. 3

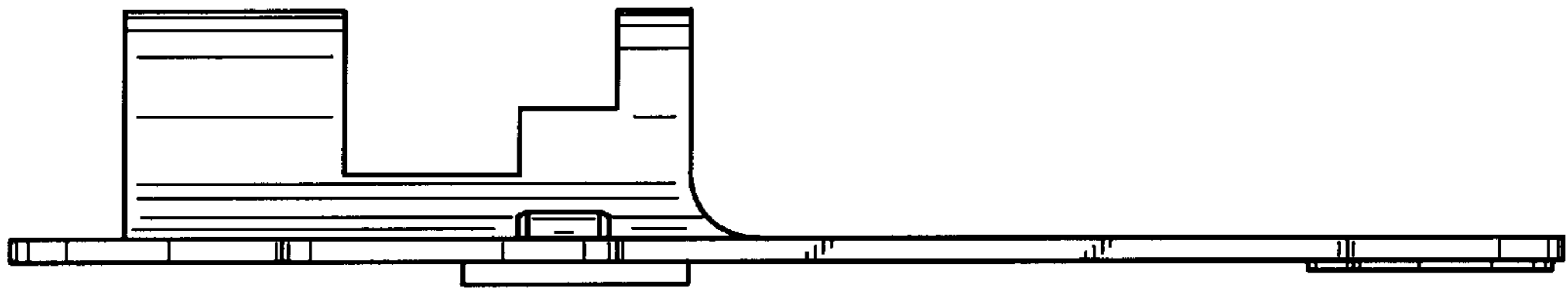


FIG. 4

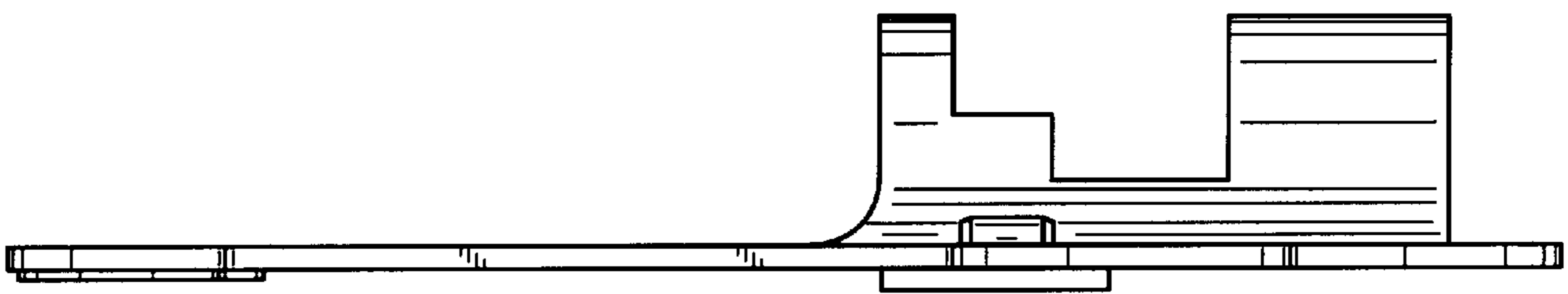


FIG. 5

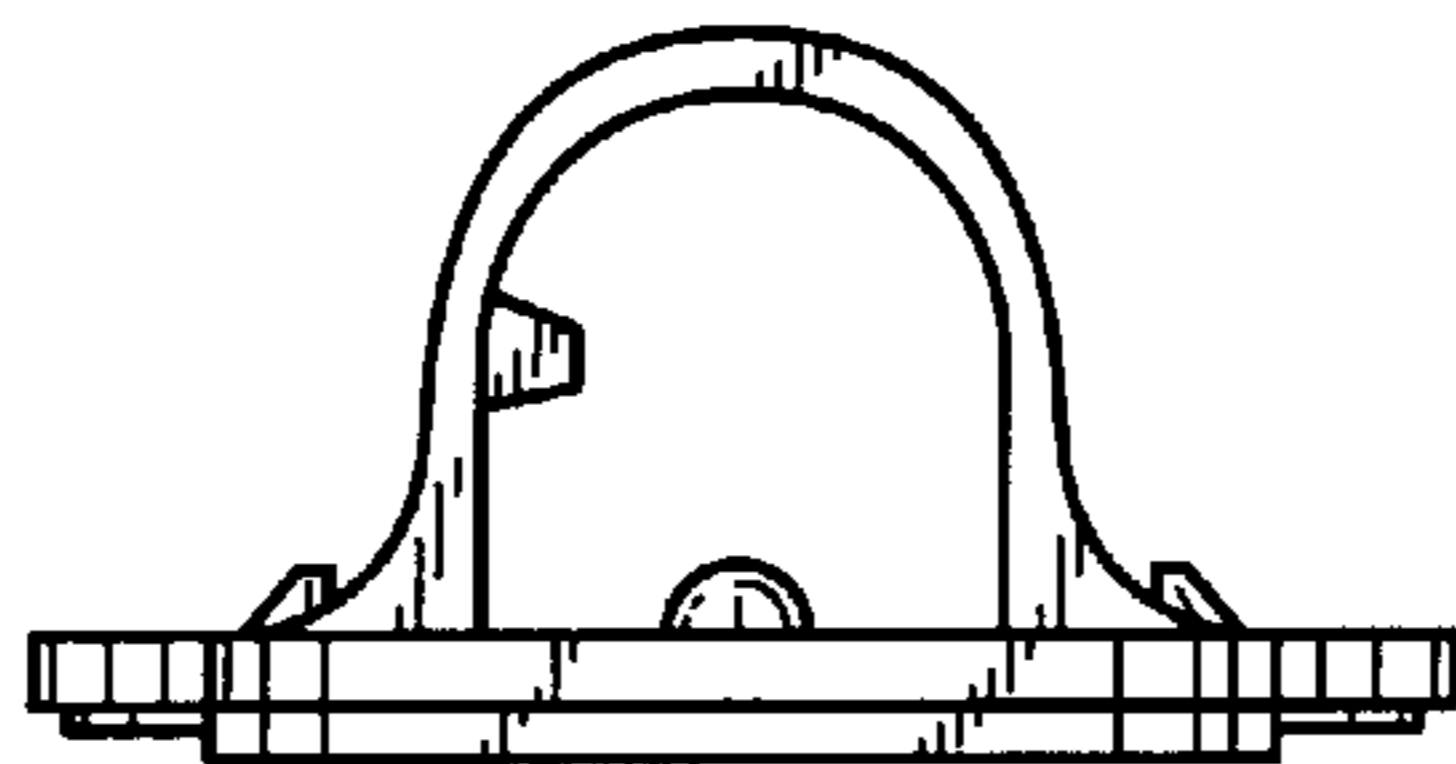


FIG. 6

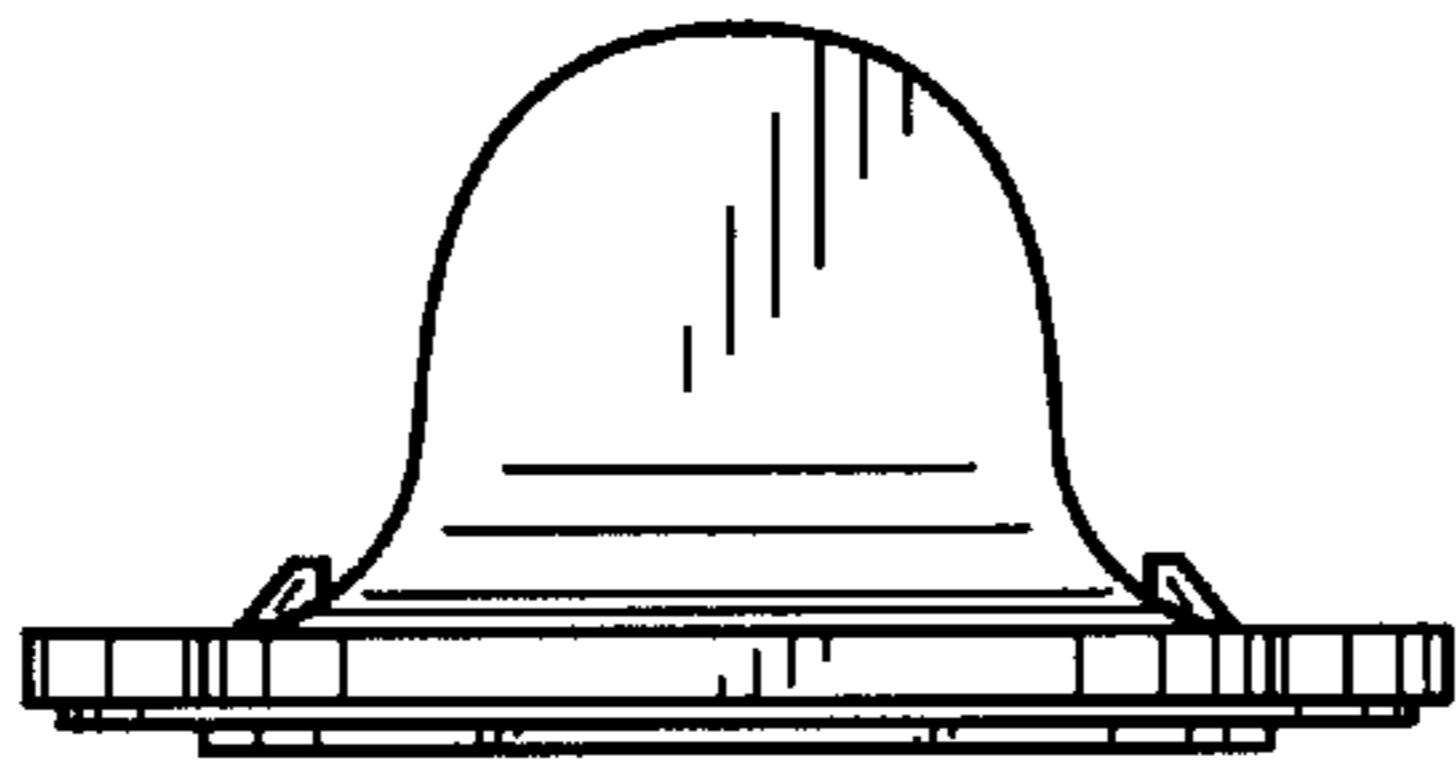


FIG. 7

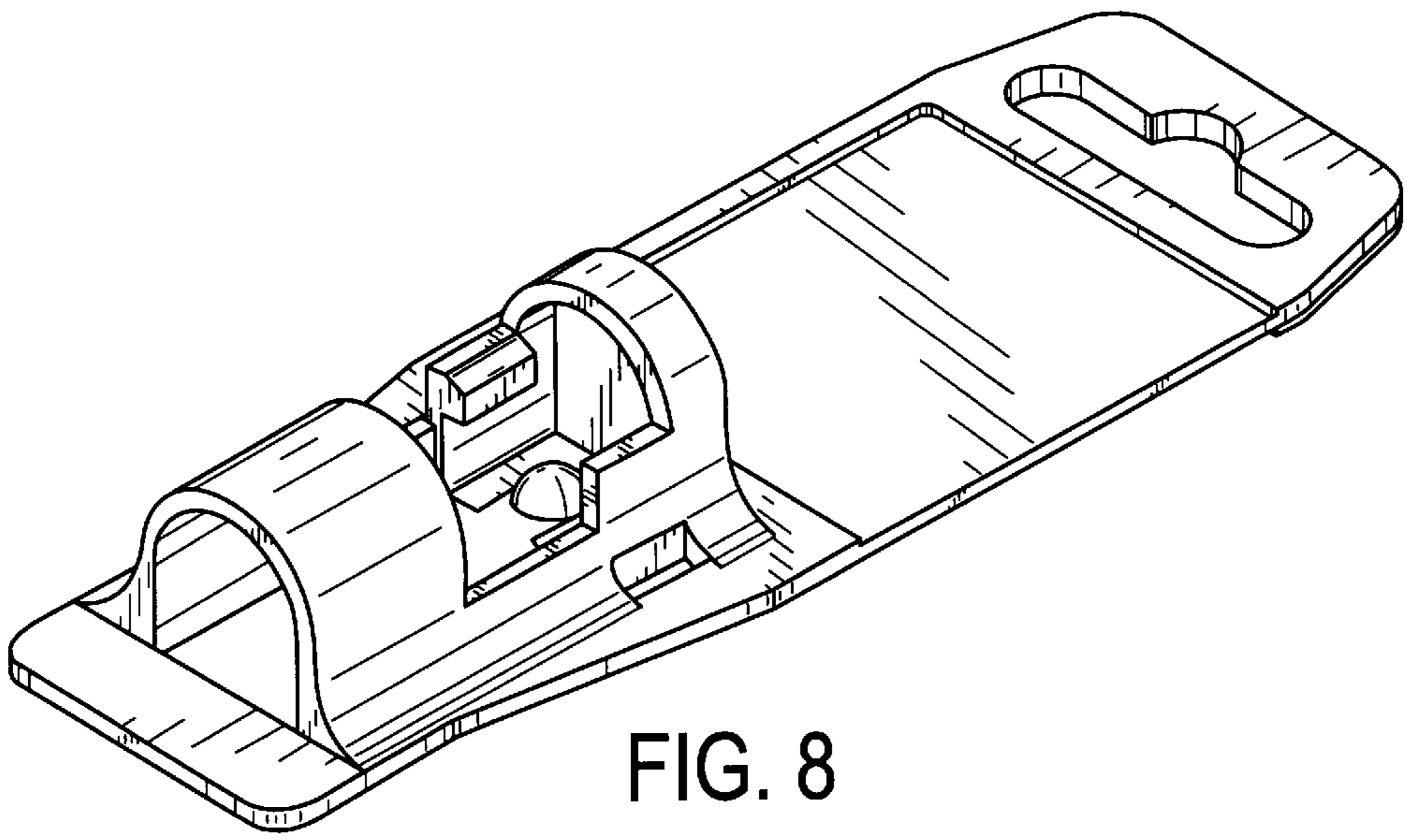


FIG. 8

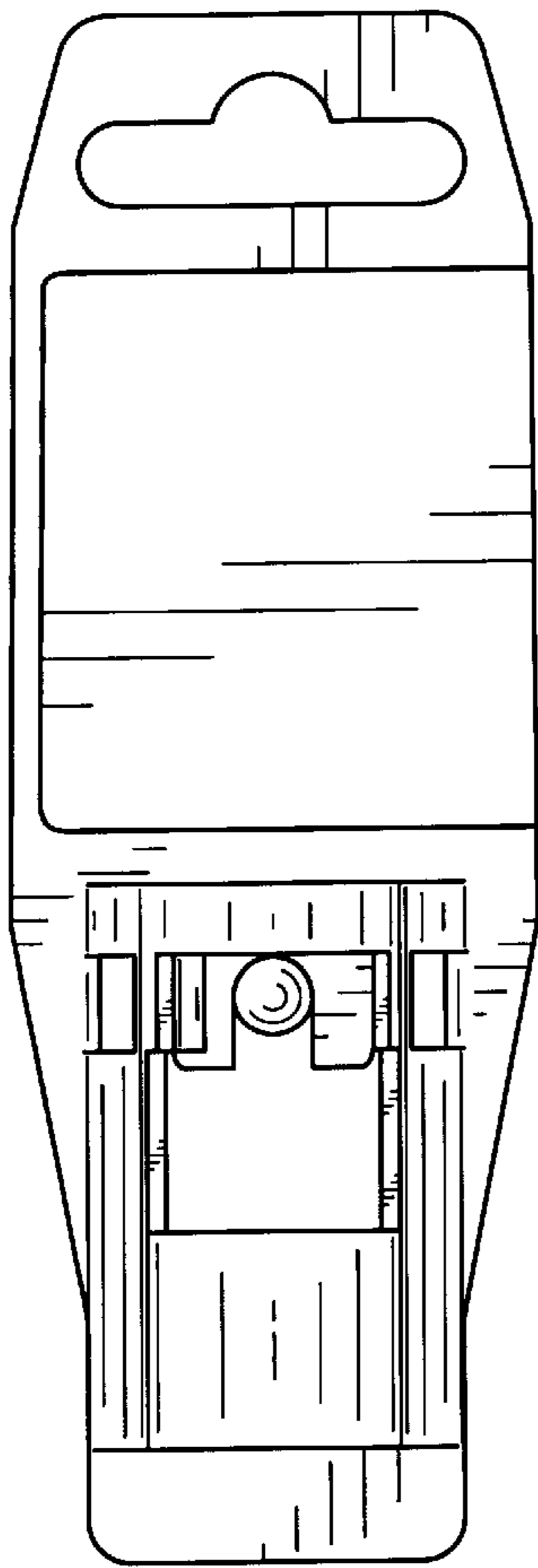


FIG. 9

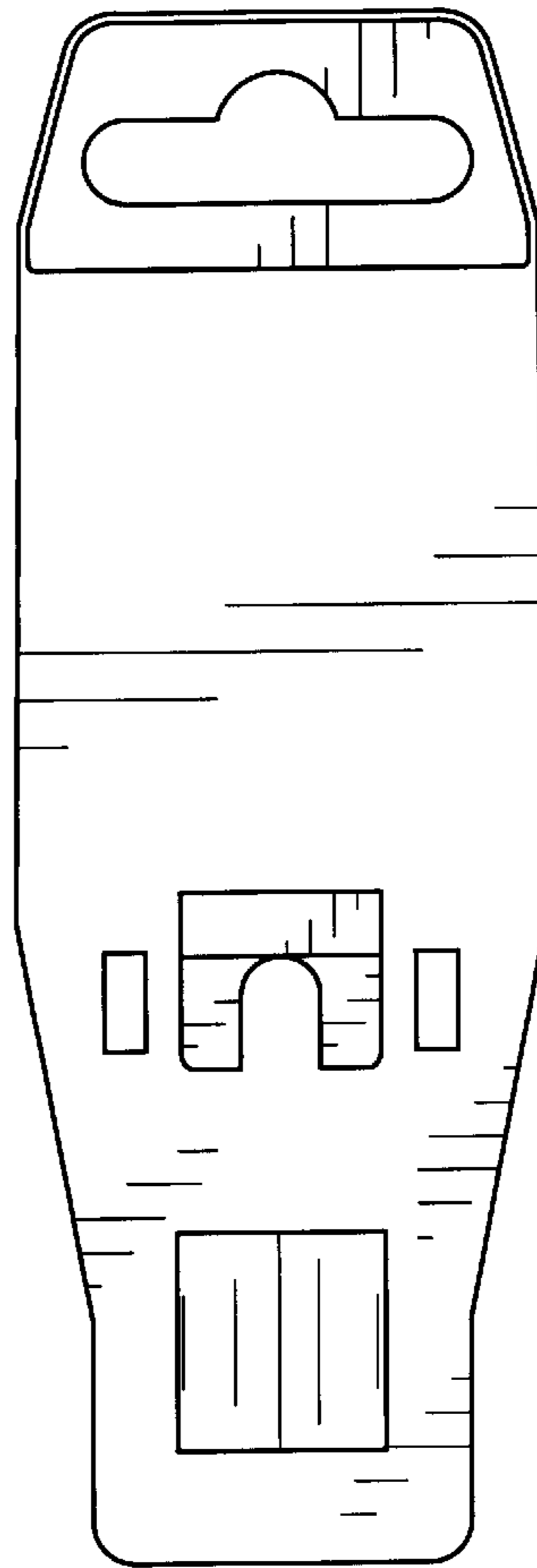


FIG. 10

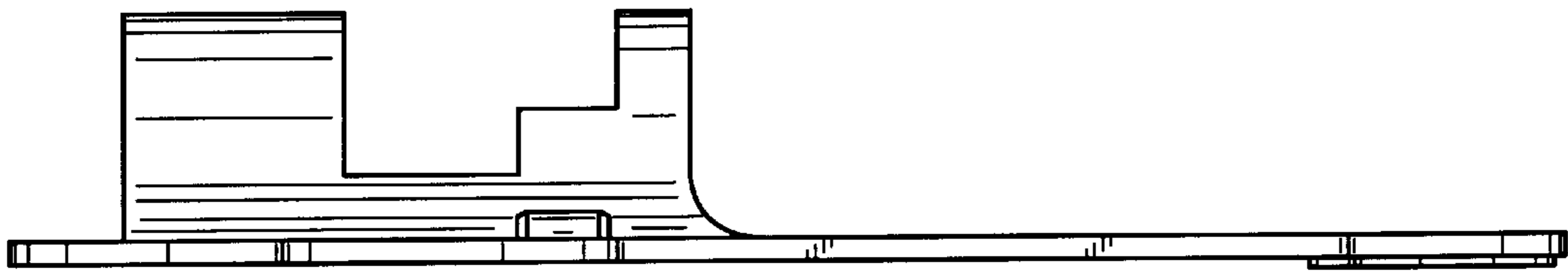


FIG. 11

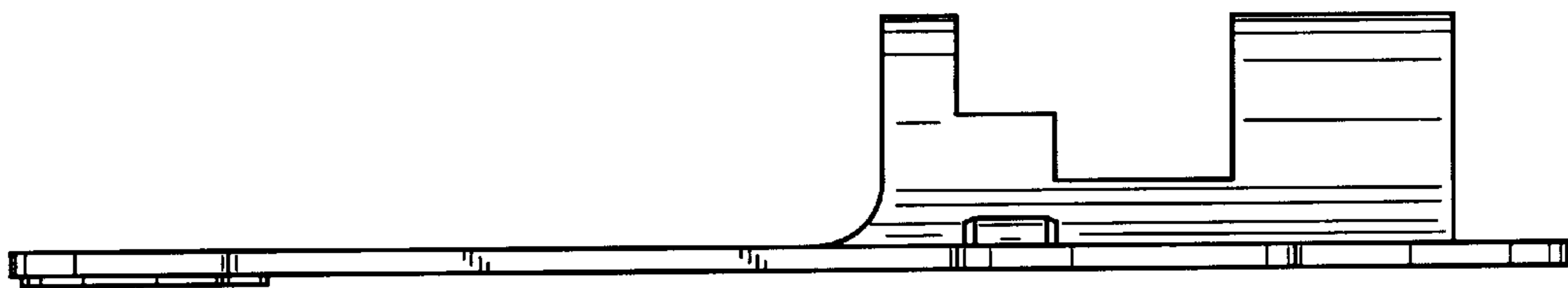


FIG. 12

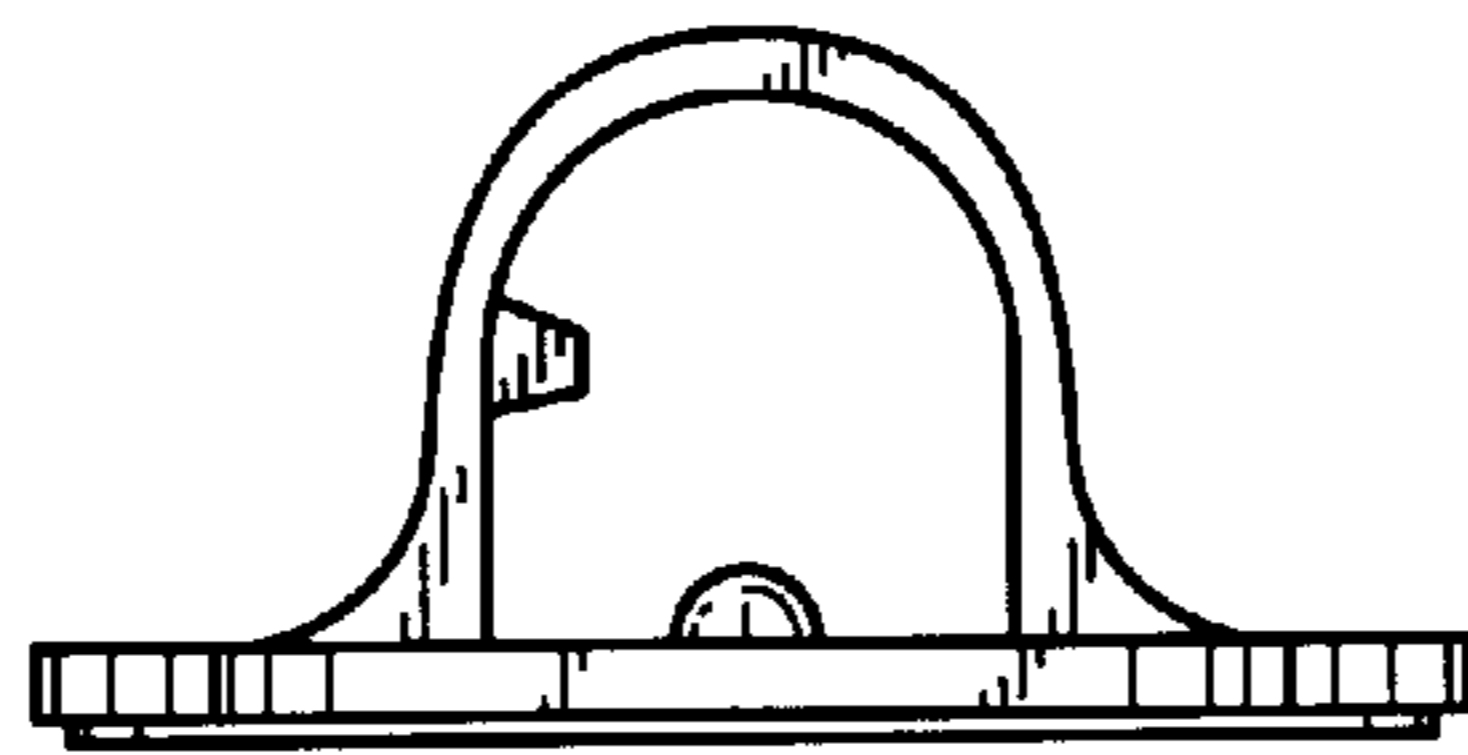


FIG. 13

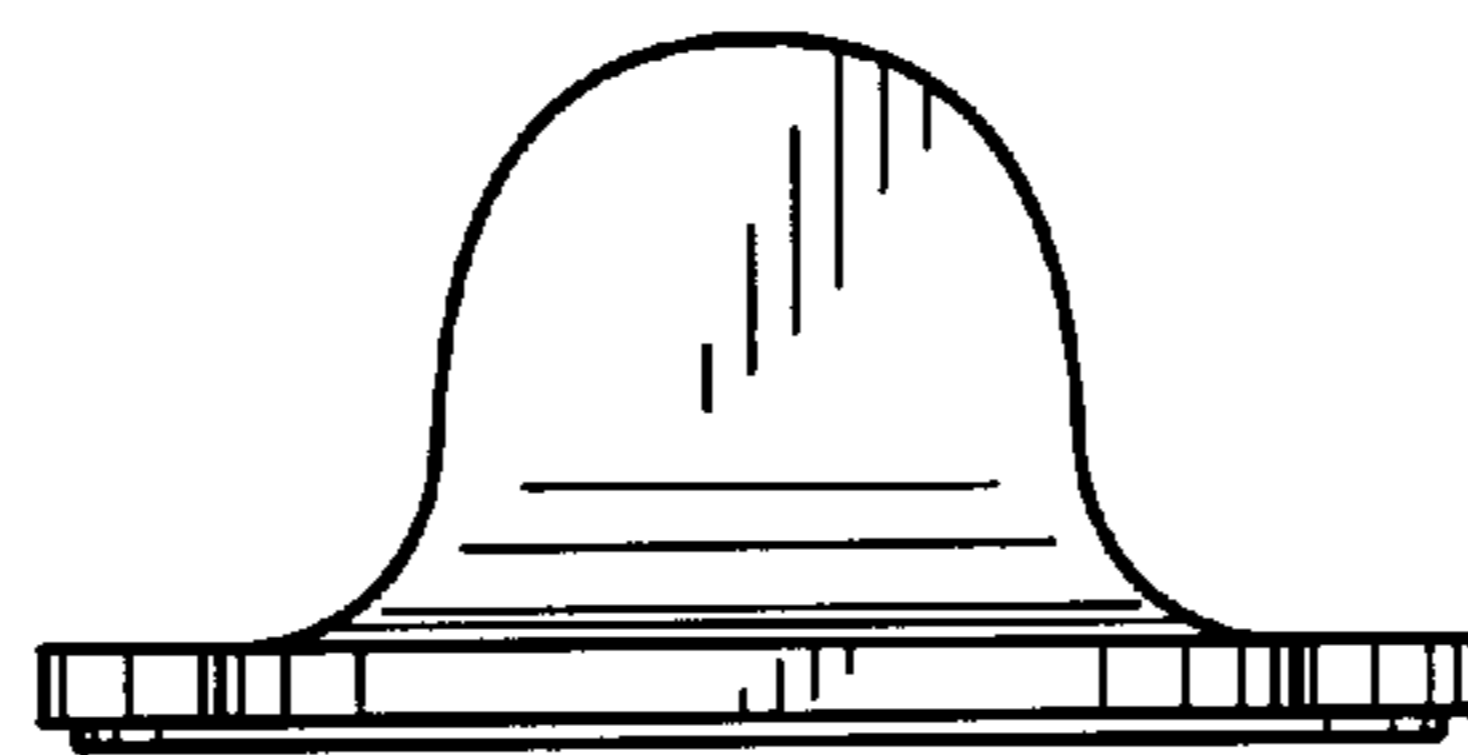


FIG. 14