



US00D438460S

(12) **United States Design Patent**  
**Hammond**

(10) **Patent No.:** **US D438,460 S**

(45) **Date of Patent:** **\*\* Mar. 6, 2001**

(54) **BOTTLE CARRIER**

(75) **Inventor:** **Donald C. Hammond**, Weston, MO (US)

(73) **Assignee:** **McCormick Distilling Co., Inc.**, Weston, MO (US)

(\*\*) **Term:** **14 Years**

(21) **Appl. No.:** **29/102,181**

(22) **Filed:** **Mar. 18, 1999**

(51) **LOC (7) Cl.** ..... **09-03**

(52) **U.S. Cl.** ..... **D9/345; D9/415; D9/426**

(58) **Field of Search** ..... D9/337, 341, 345-346, D9/347, 414-415, 420-421, 425, 430-432, 500, 516, 517; D7/509, 523, 543, 545, 549, 553.2, 555-556, 587, 602-604; 206/364-365, 562-564, 203, 471, 162, 705; 220/4.21, 4.24

(56) **References Cited**

**U.S. PATENT DOCUMENTS**

- D. 86,061 \* 1/1932 Shepard ..... D9/345
- D. 86,483 \* 3/1932 Shepard ..... D9/345
- D. 123,103 \* 10/1940 Murray ..... D9/341
- D. 183,370 \* 8/1958 Raymond ..... D9/345

- D. 222,580 \* 11/1971 Nakakuma ..... D9/345
- D. 236,805 \* 9/1975 Swampscott et al. .... D9/345
- D. 277,731 \* 2/1985 Sharp et al. .... D9/337
- D. 292,879 \* 11/1987 Smith ..... D9/345
- D. 362,156 \* 9/1995 Goto et al. .... D7/511
- D. 371,936 \* 7/1996 Goto et al. .... D7/604
- D. 401,503 \* 11/1998 Domenget ..... D9/345
- 5,950,829 \* 9/1999 Gale ..... 206/564

\* cited by examiner

*Primary Examiner*—Ted Shooman

*Assistant Examiner*—Carol Rademaker

(74) *Attorney, Agent, or Firm*—Hovey, Williams, Timmons & Collins

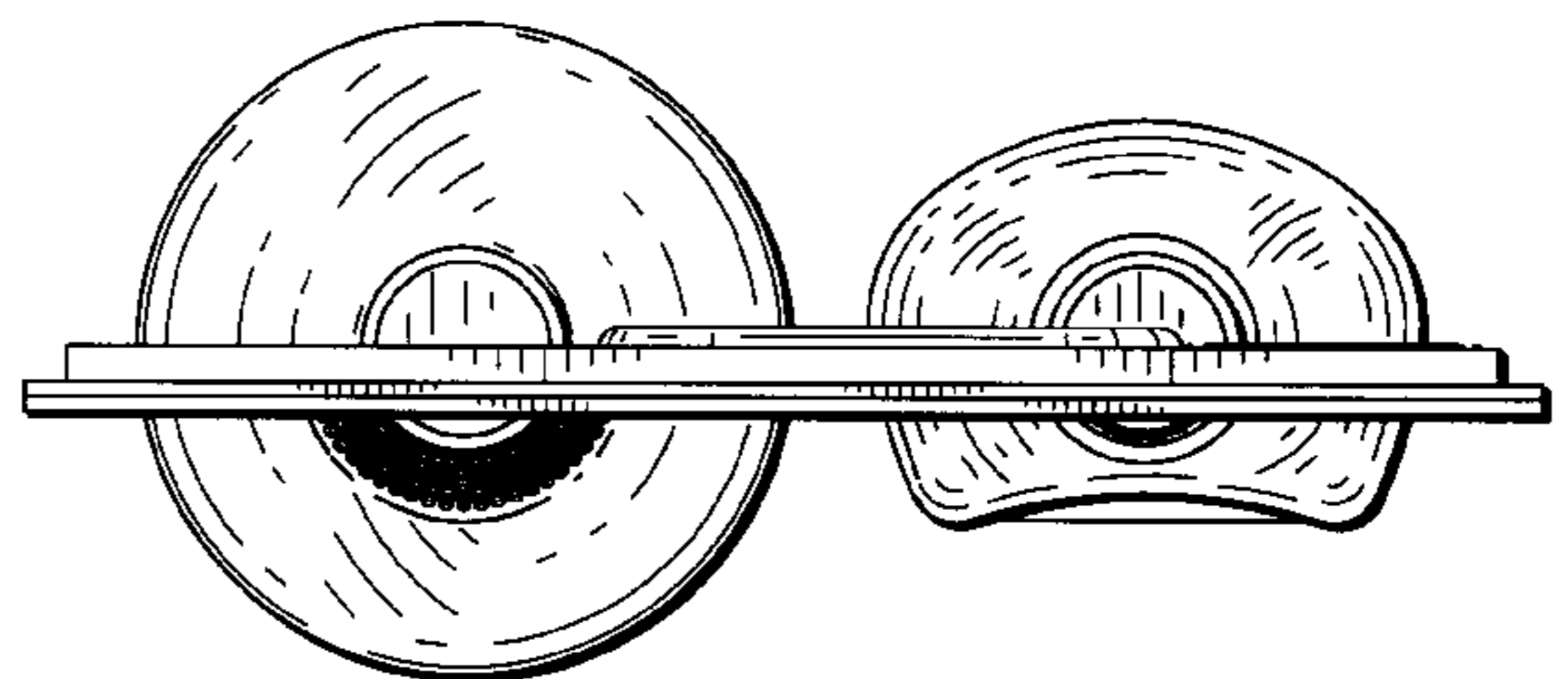
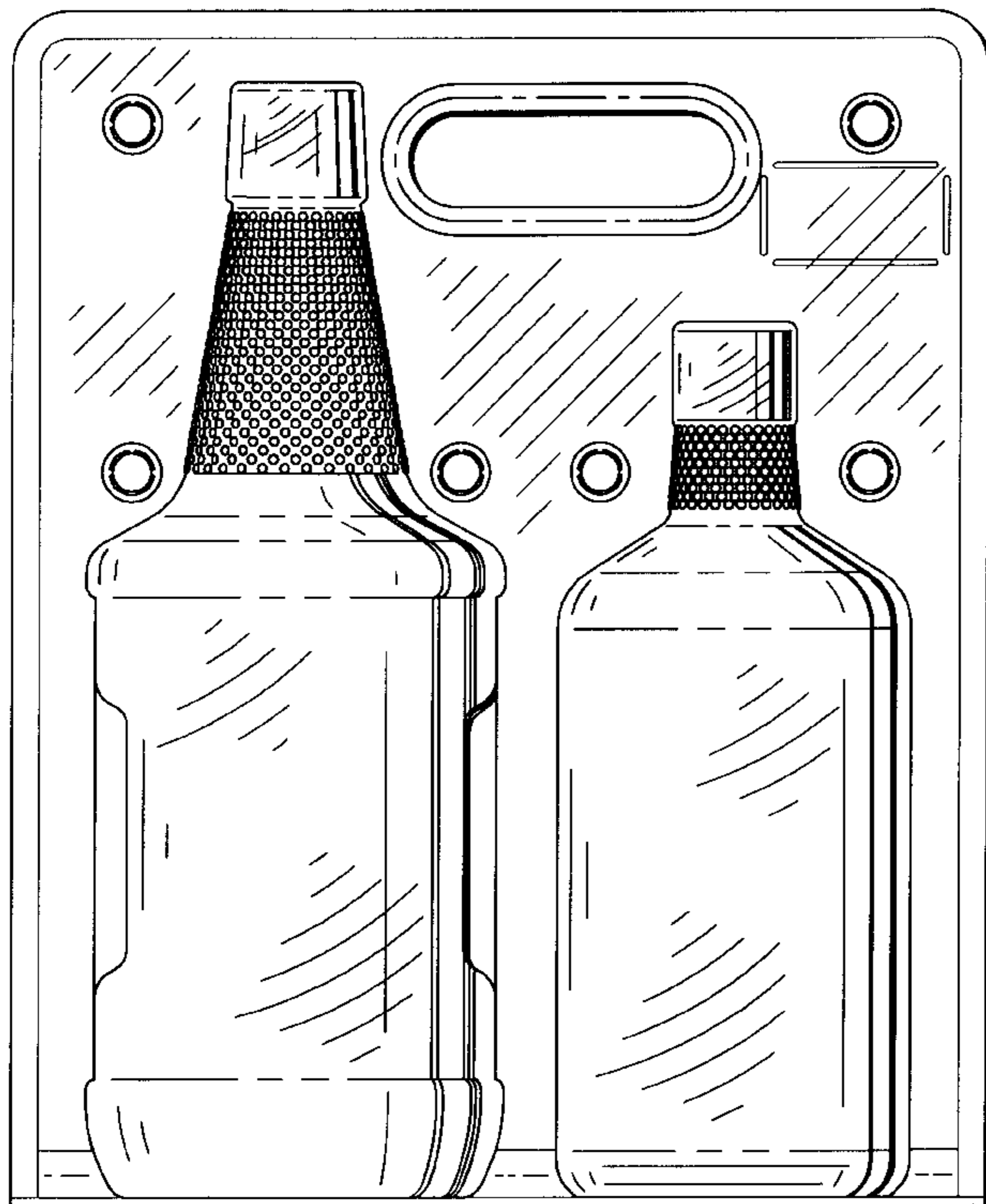
(57) **CLAIM**

The ornamental design for a bottle carrier, as shown and described.

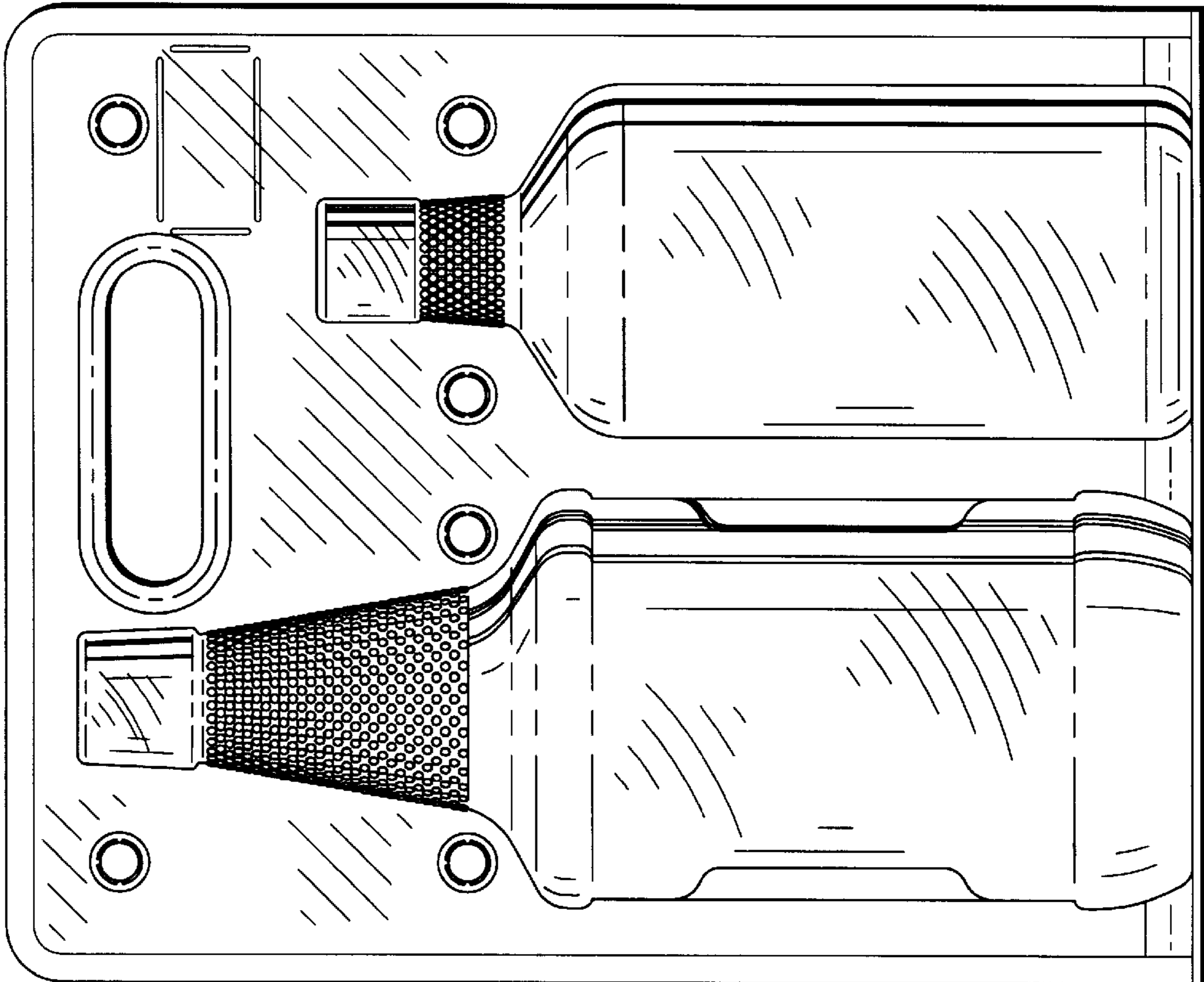
**DESCRIPTION**

FIG. 1 is a front elevational view;  
 FIG. 2 is a rear elevational view;  
 FIG. 3 is an end elevational view;  
 FIG. 4 is an end elevational view of the end opposite to that shown in FIG. 3;  
 FIG. 5 is a top plan view; and,  
 FIG. 6 is a bottom plan view.

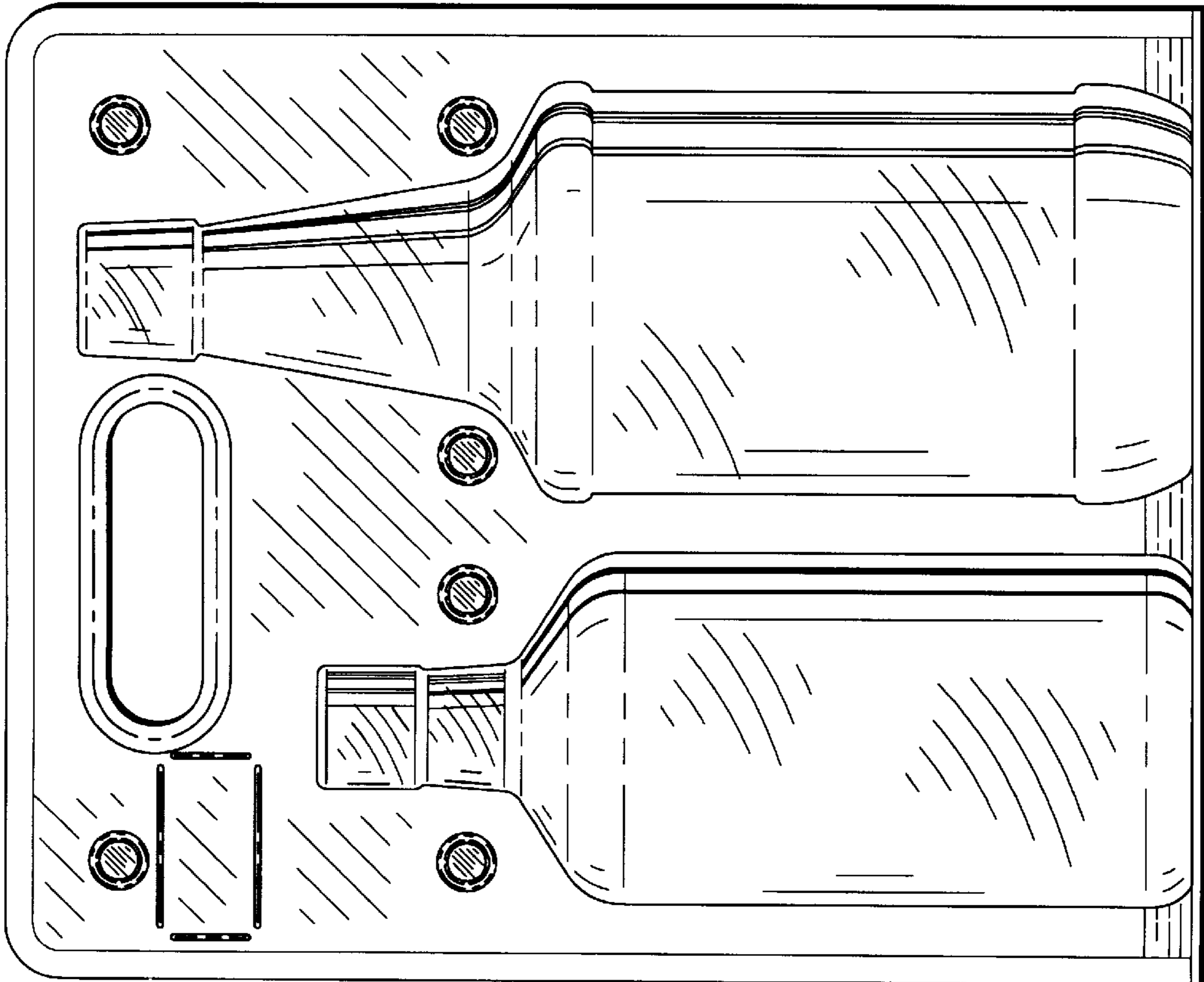
**1 Claim, 3 Drawing Sheets**



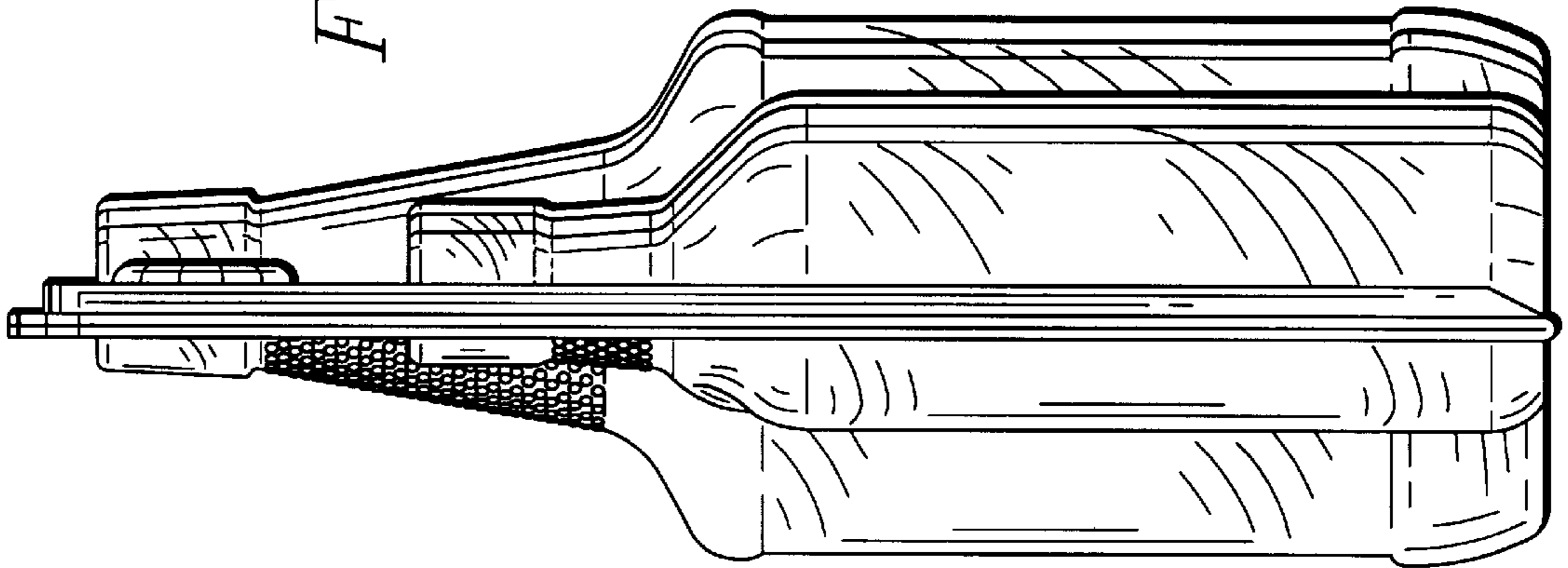
*Fig. 2.*



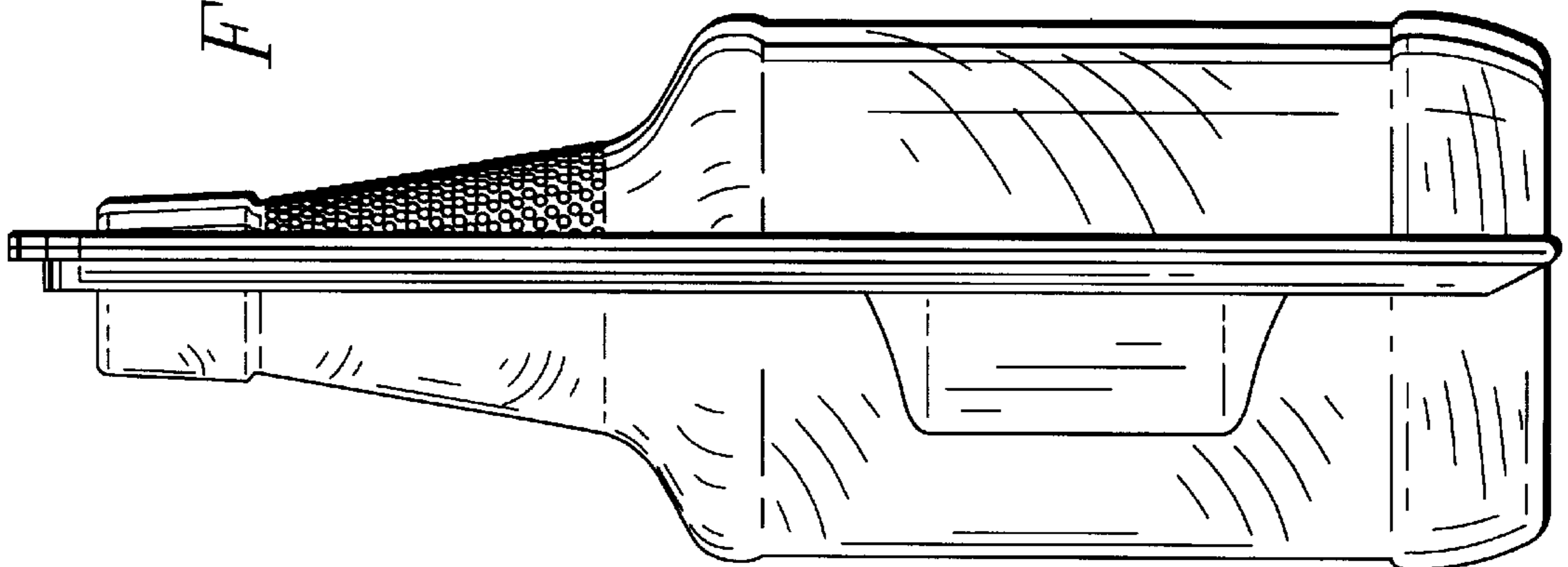
*Fig. 1.*

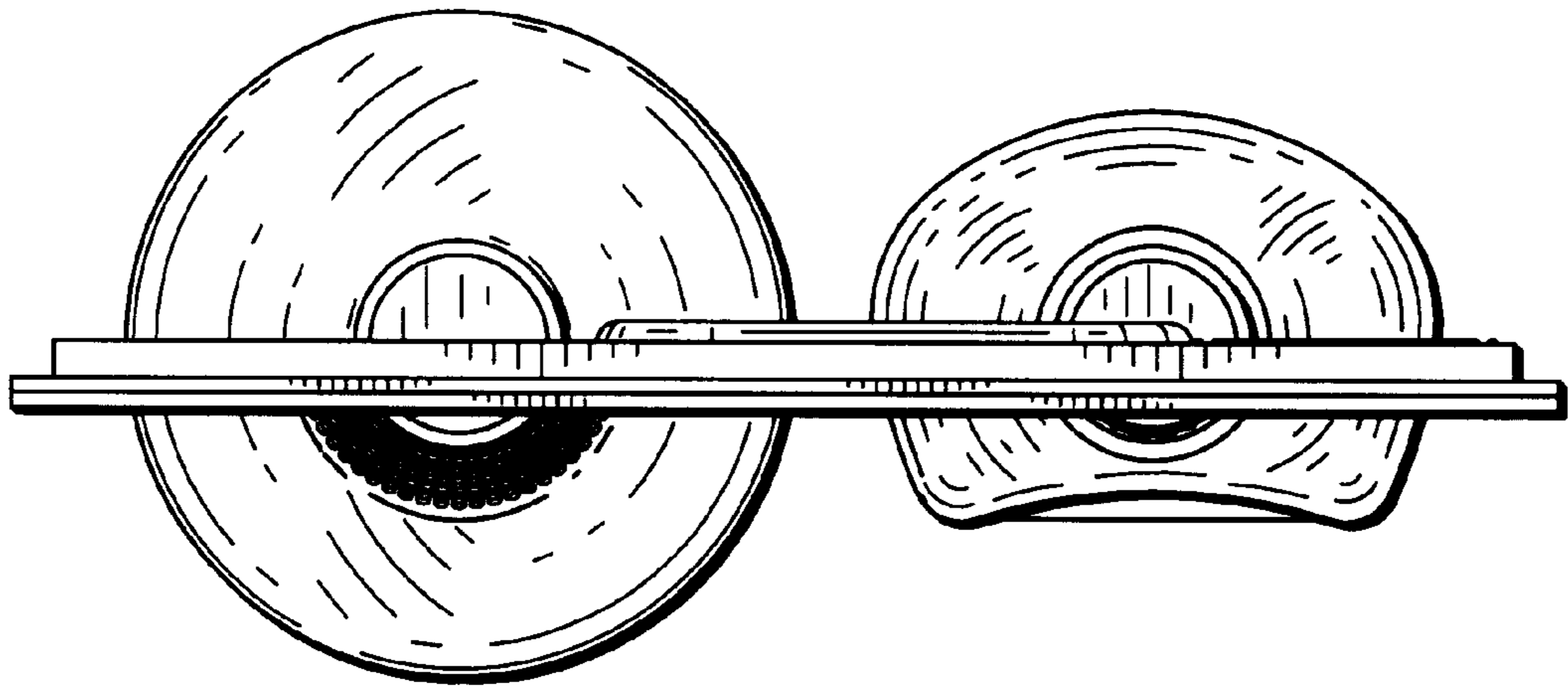


*Fig. 4.*

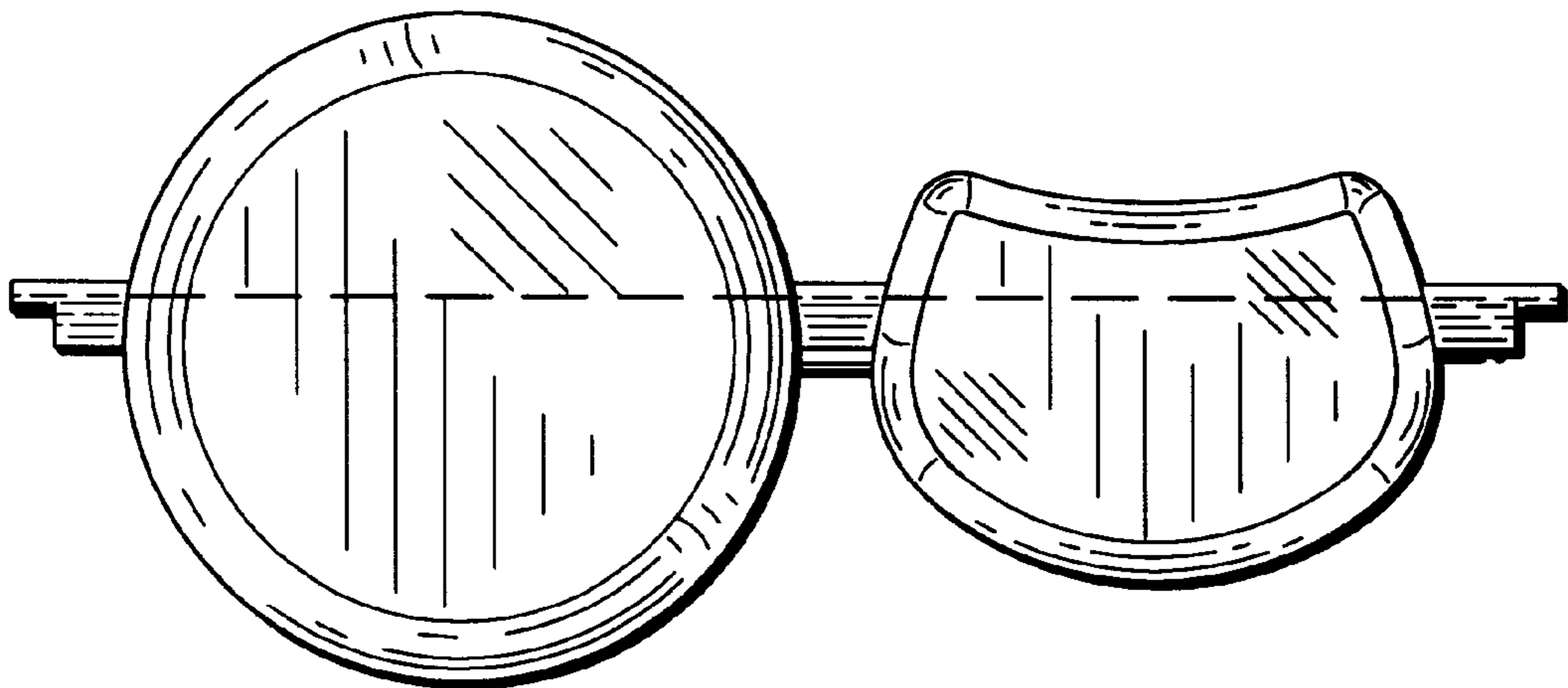


*Fig. 3.*





*Fig. 5.*



*Fig. 6.*