



US00D438453S

(12) **United States Design Patent**
Nelson et al.

(10) **Patent No.:** **US D438,453 S**

(45) **Date of Patent:** **** Mar. 6, 2001**

(54) **PLASTIC CONDUIT CLIP**

(75) Inventors: **Dan M. Nelson**, Mountain Home;
Dennis Shrable, Flippin, both of AR
(US)

(73) Assignee: **Micro Plastics Inc.**, Flippin, AR (US)

(**) Term: **14 Years**

(21) Appl. No.: **29/125,392**

(22) Filed: **Jun. 22, 2000**

(51) **LOC (7) Cl.** **08-08**

(52) **U.S. Cl.** **D8/395; D8/396**

(58) **Field of Search** D8/395, 396; 24/338,
24/339; 248/229.16, 230.7, 74.2; D25/123

(56) **References Cited**

U.S. PATENT DOCUMENTS

- D. 295,725 * 5/1988 Shioda .
- D. 306,553 * 3/1990 Rumpel D8/396

- D. 328,187 * 7/1992 Saurette D23/123
- D. 430,699 * 9/2000 Coleman, Jr. D8/395
- 5,463,855 * 11/1995 Johnson et al. .
- 5,642,557 * 7/1997 Clews .

* cited by examiner

Primary Examiner—B. J. Bullock

(74) *Attorney, Agent, or Firm*—Stephen D. Carver

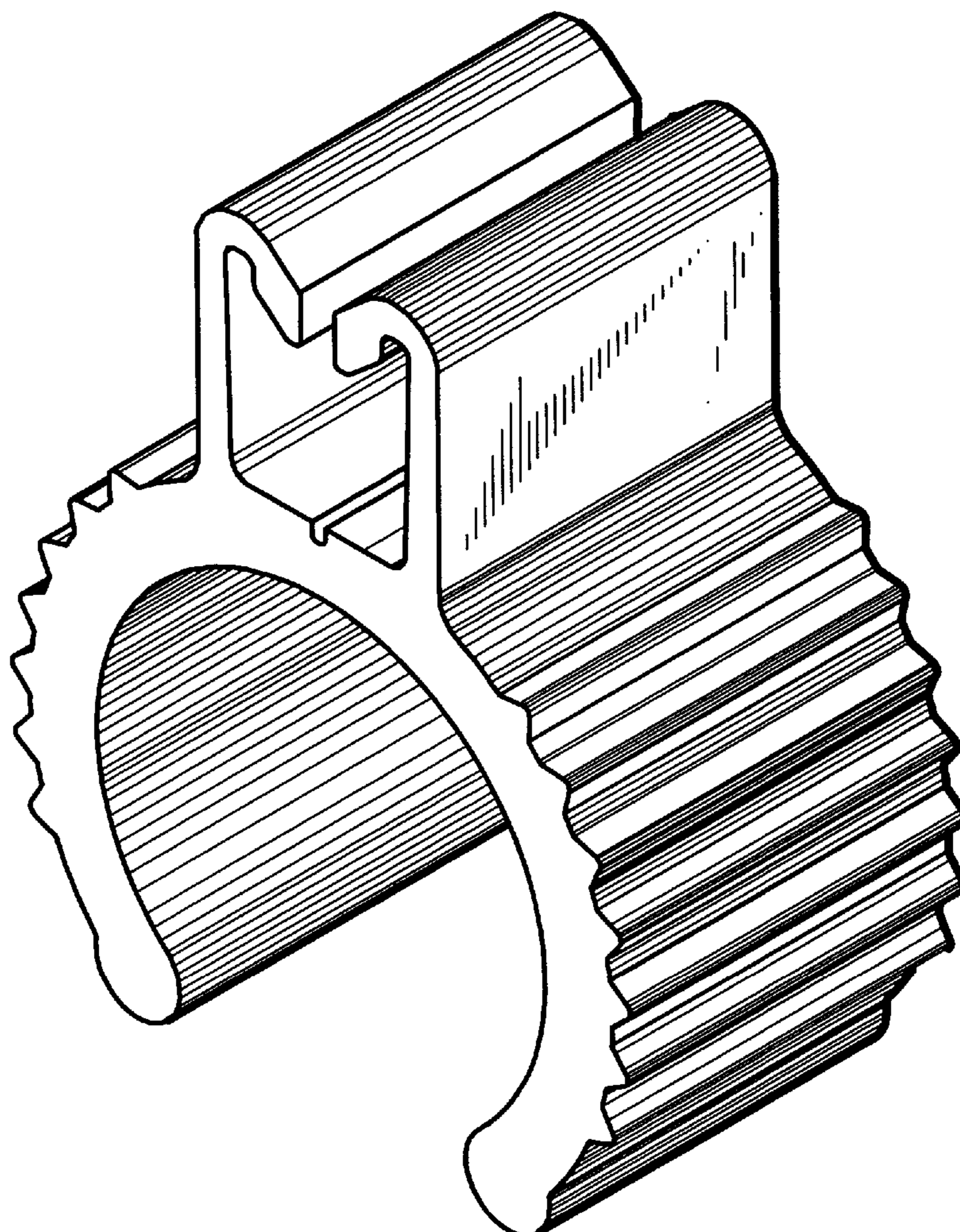
(57) **CLAIM**

The ornamental design for a plastic conduit clip, as shown and described.

DESCRIPTION

FIG. 1 is a top plan view showing our new clip;
FIG. 2 is a side elevational view thereof, the opposite side comprising a mirror image;
FIG. 3 is a front elevational view thereof;
FIG. 4 is a rear elevational view thereof; and,
FIG. 5 is an isometric view thereof.

1 Claim, 5 Drawing Sheets



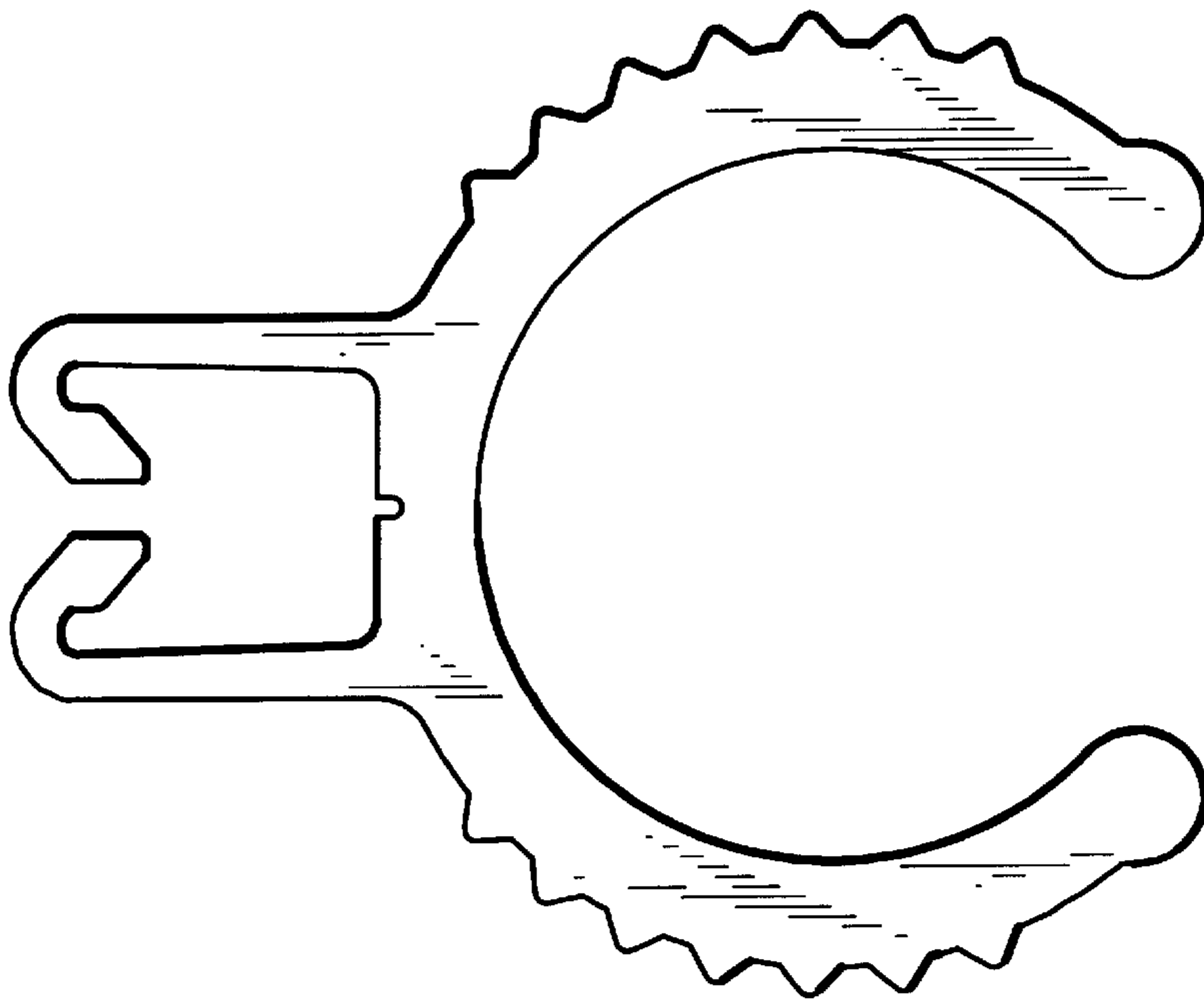


FIG. 1

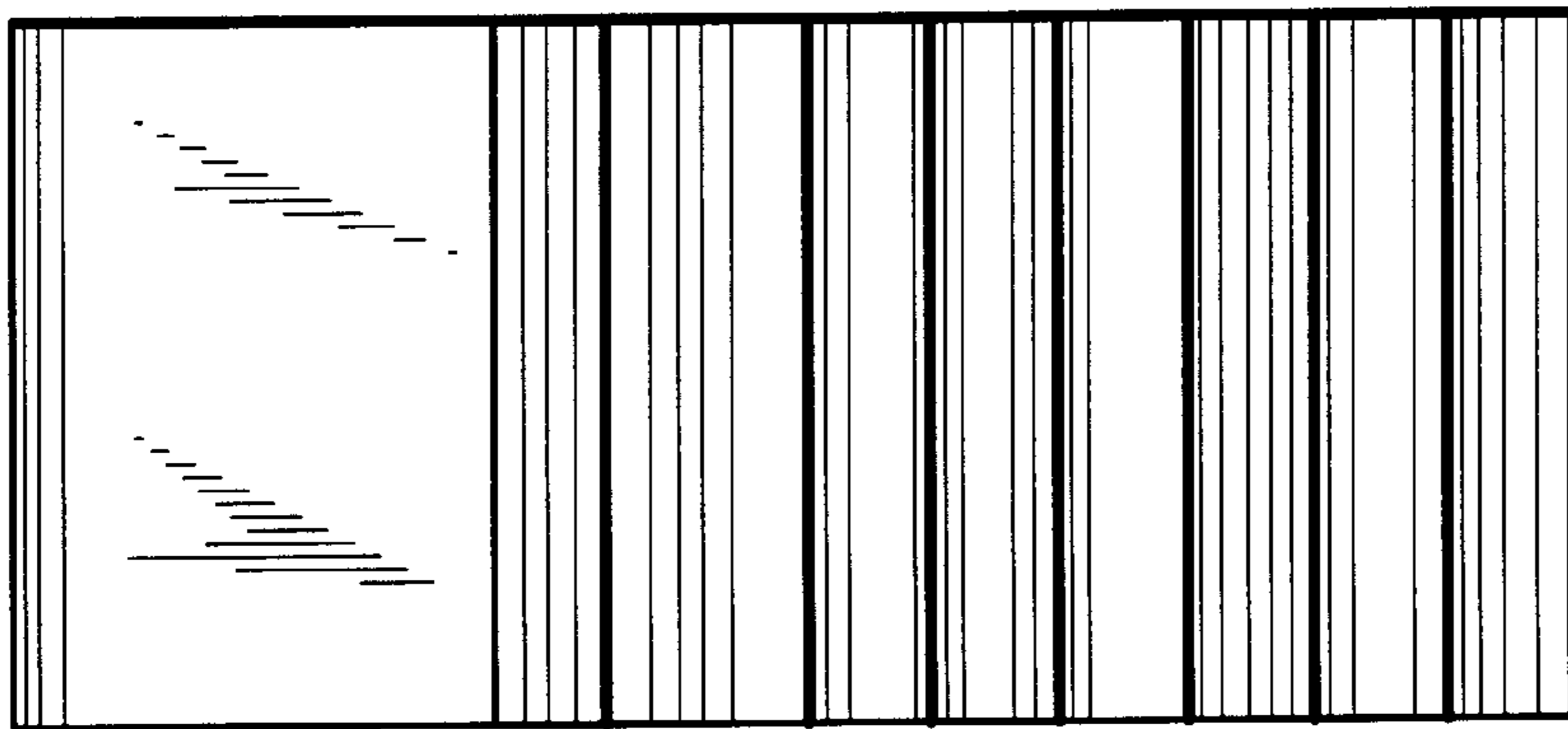


Fig. 2

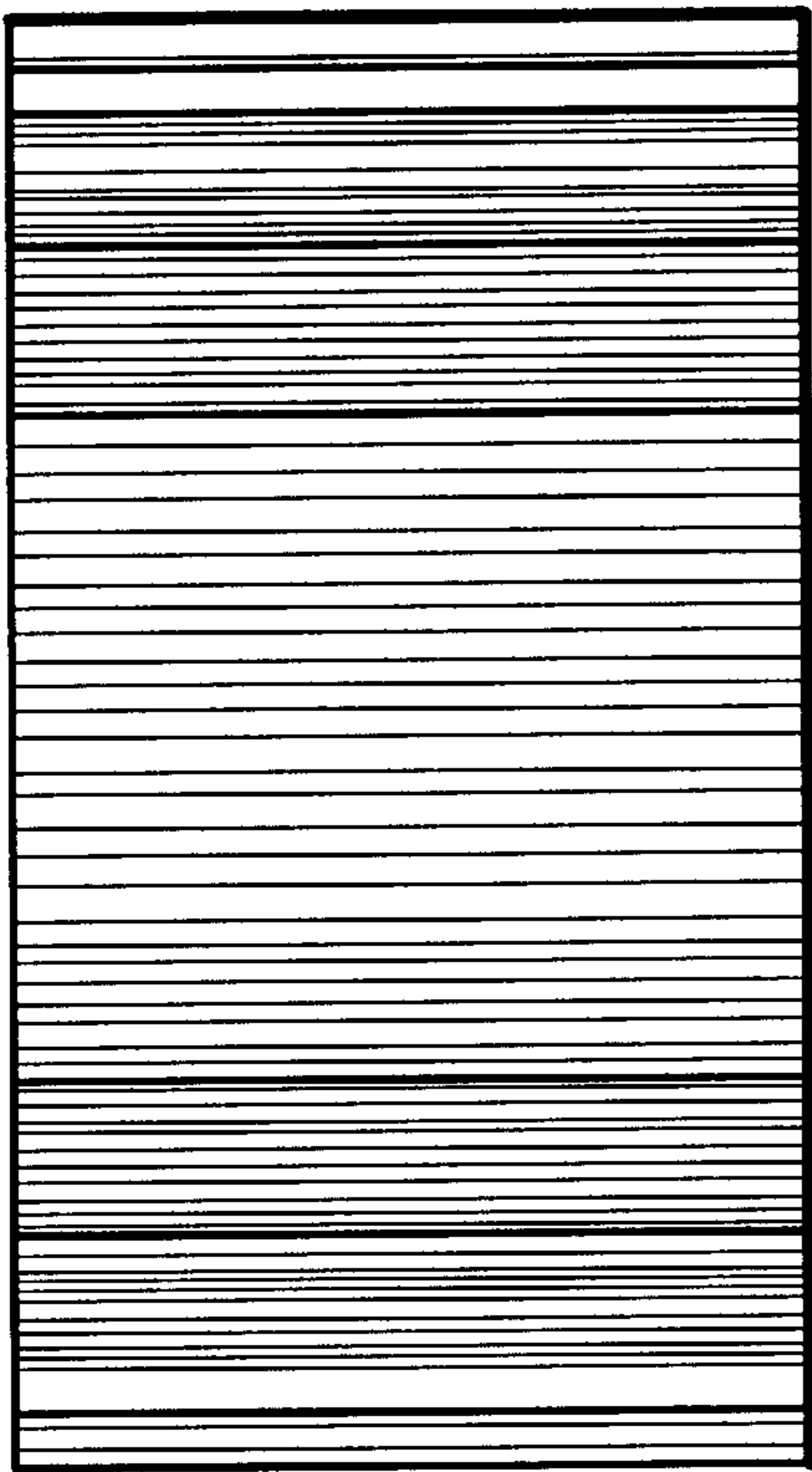


Fig. 3

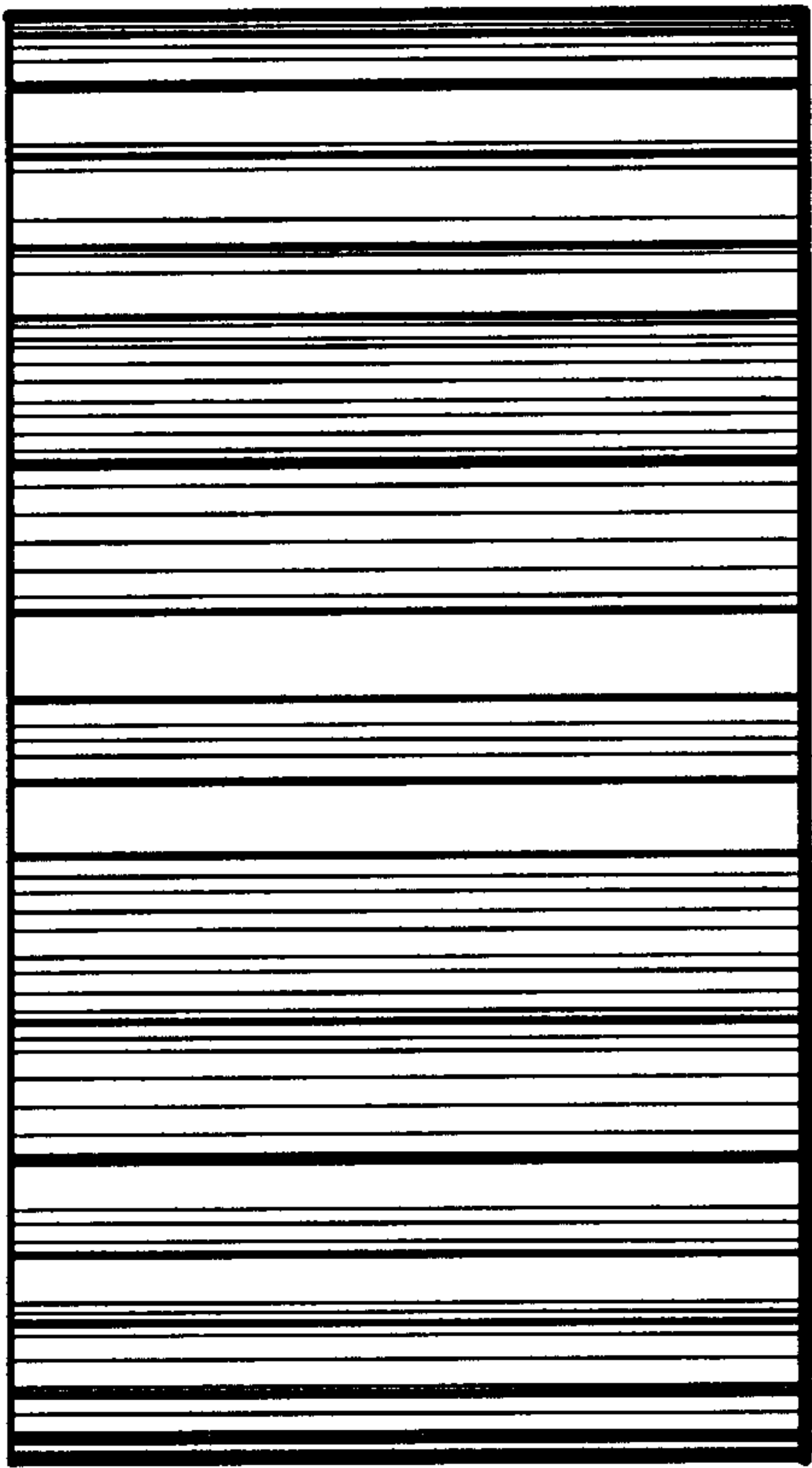


FIG. 4

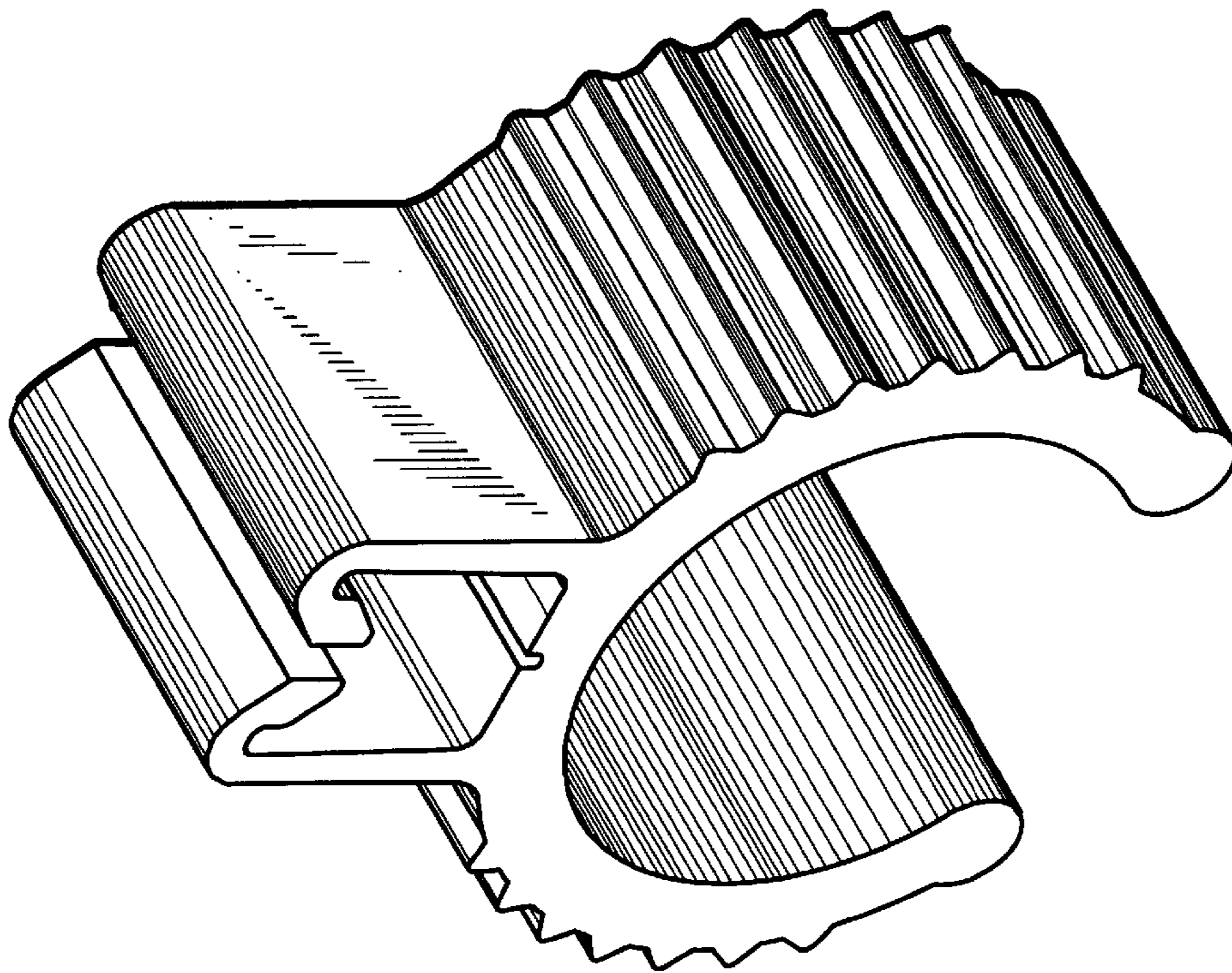


FIG. 5