



US00D438452S

(12) **United States Design Patent**  
**Tsai**

(10) **Patent No.:** **US D438,452 S**

(45) **Date of Patent:** **\*\* Mar. 6, 2001**

(54) **CUBE CLIP**

2,397,780 \* 4/1946 Emde .

5,148,581 \* 9/1992 Hartmann ..... 24/354

(76) Inventor: **Ching Tsung Tsai**, 364, Sec. 2, Mei Liao, Rd, Chu In Li, Ho Mei, Chang Hua (TW)

\* cited by examiner

(\*\*) Term: **14 Years**

*Primary Examiner*—B. J. Bullock

(74) *Attorney, Agent, or Firm*—Dougherty & Troxell

(21) Appl. No.: **29/124,248**

(57) **CLAIM**

(22) Filed: **Jun. 5, 2000**

The ornamental design for a cube clip, as shown and described.

(51) **LOC (7) Cl.** ..... **08-08**

**DESCRIPTION**

(52) **U.S. Cl.** ..... **D8/395; D8/390**

(58) **Field of Search** ..... D8/395, 394, 389, D8/390; D19/65; 24/351, 352, 354, 509, 510, 3.11, 13

FIG. 1 is a perspective view of a cube clip in the present design;

FIG. 2 is a front view of a cube clip in the present design;

FIG. 3 is a rear view of a cube clip in the present design;

FIG. 4 is a left view of a cube clip in the present design;

FIG. 5 is a right view of a cube clip in the present design;

FIG. 6 is a top view of a cube clip in the present design; and,

FIG. 7 is a bottom view of a cube clip in the present design.

(56) **References Cited**

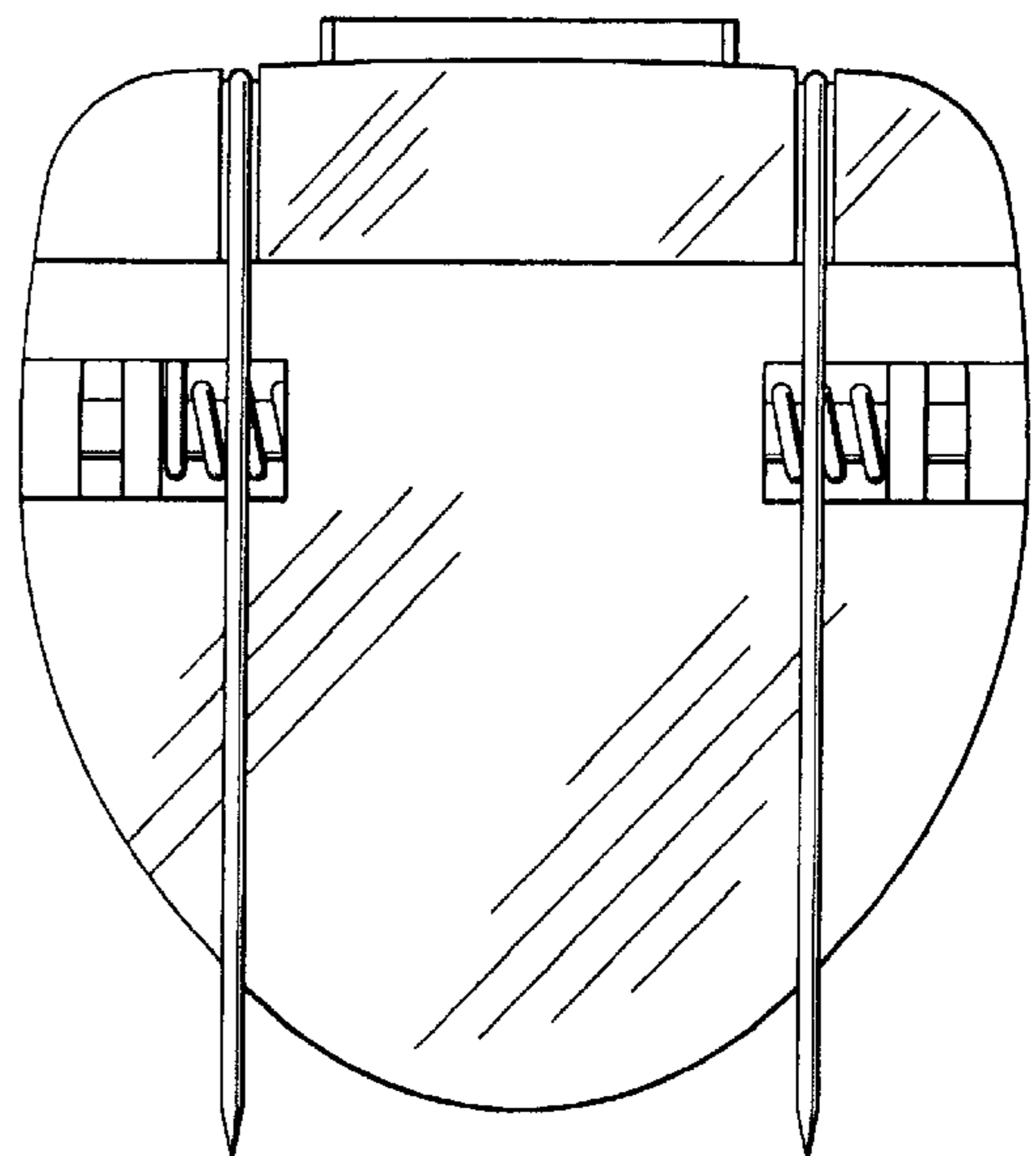
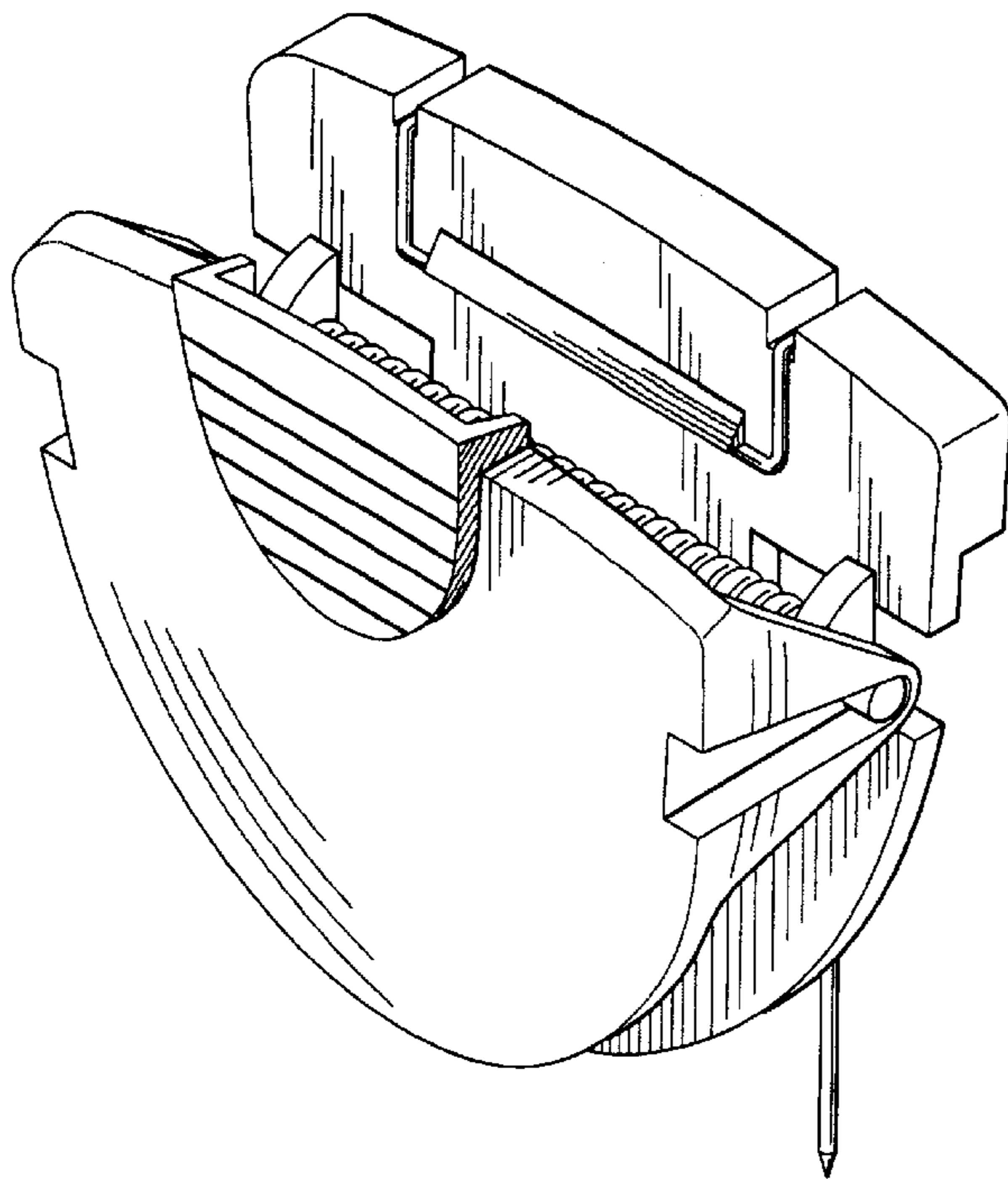
**U.S. PATENT DOCUMENTS**

D. 335,078 \* 4/1993 Hampshire ..... D8/395

D. 379,626 \* 6/1997 Mak ..... D8/395

D. 428,921 \* 8/2000 Saylor et al. .... D8/395

**1 Claim, 4 Drawing Sheets**



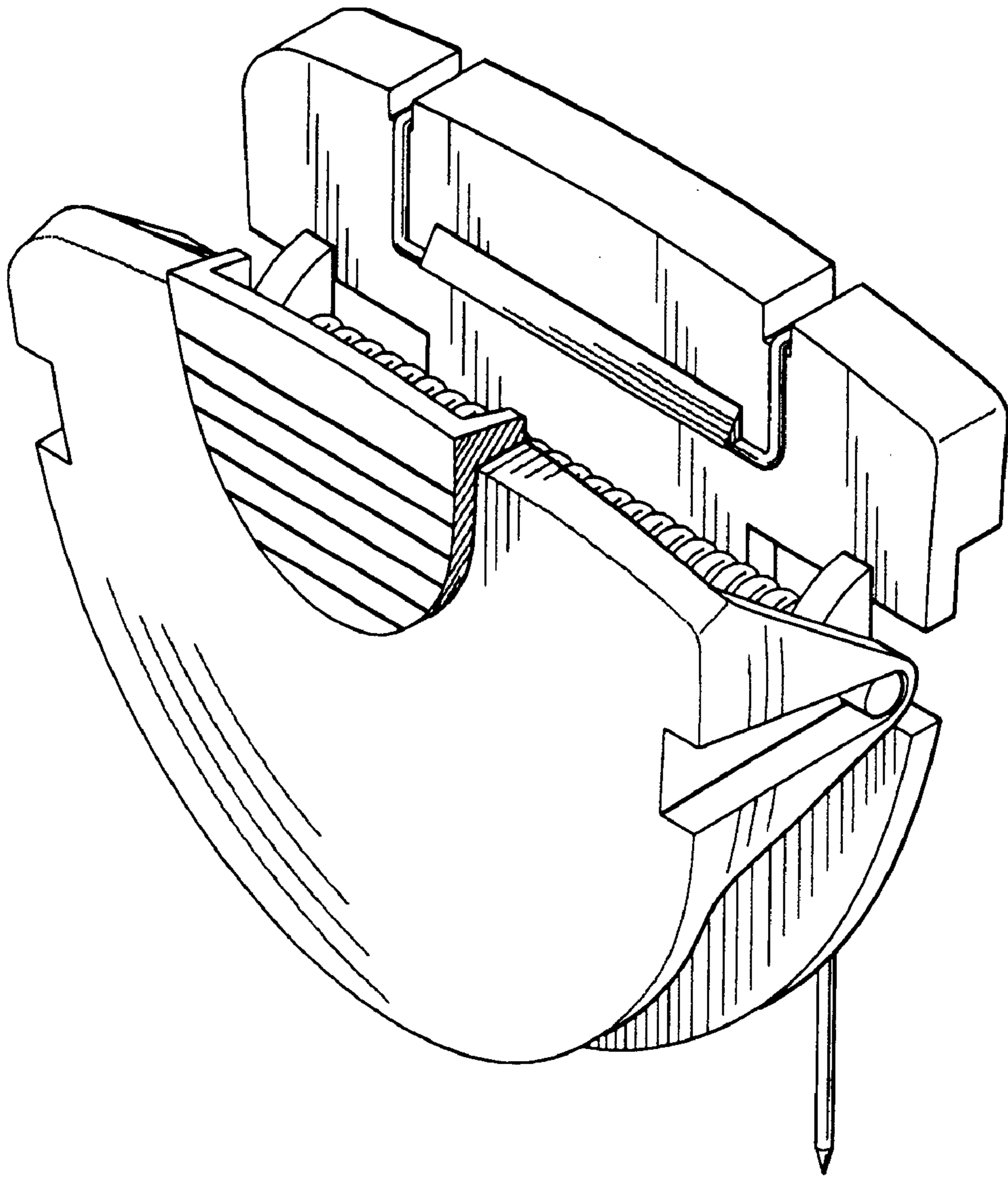


FIG. 1

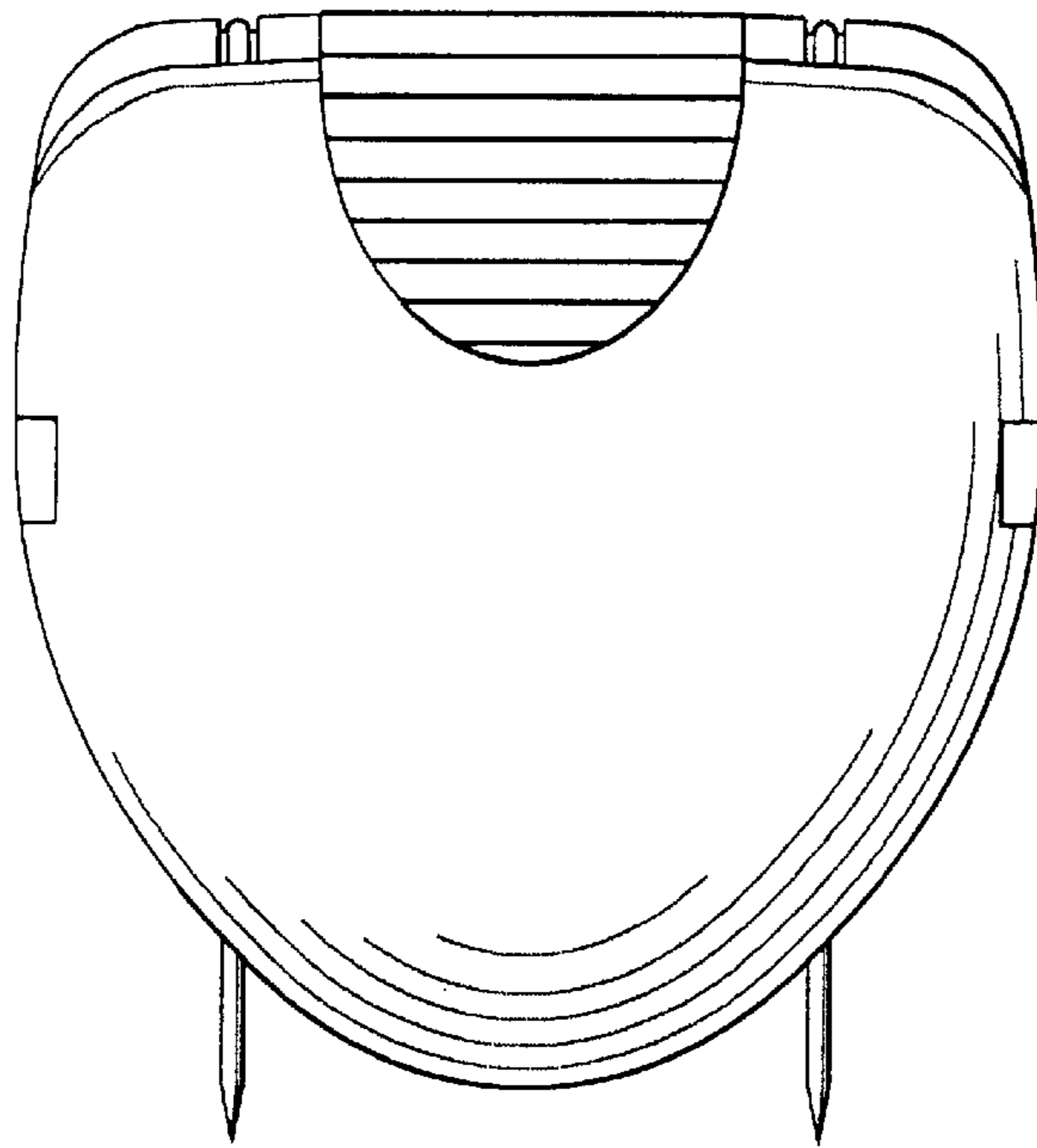


FIG. 2

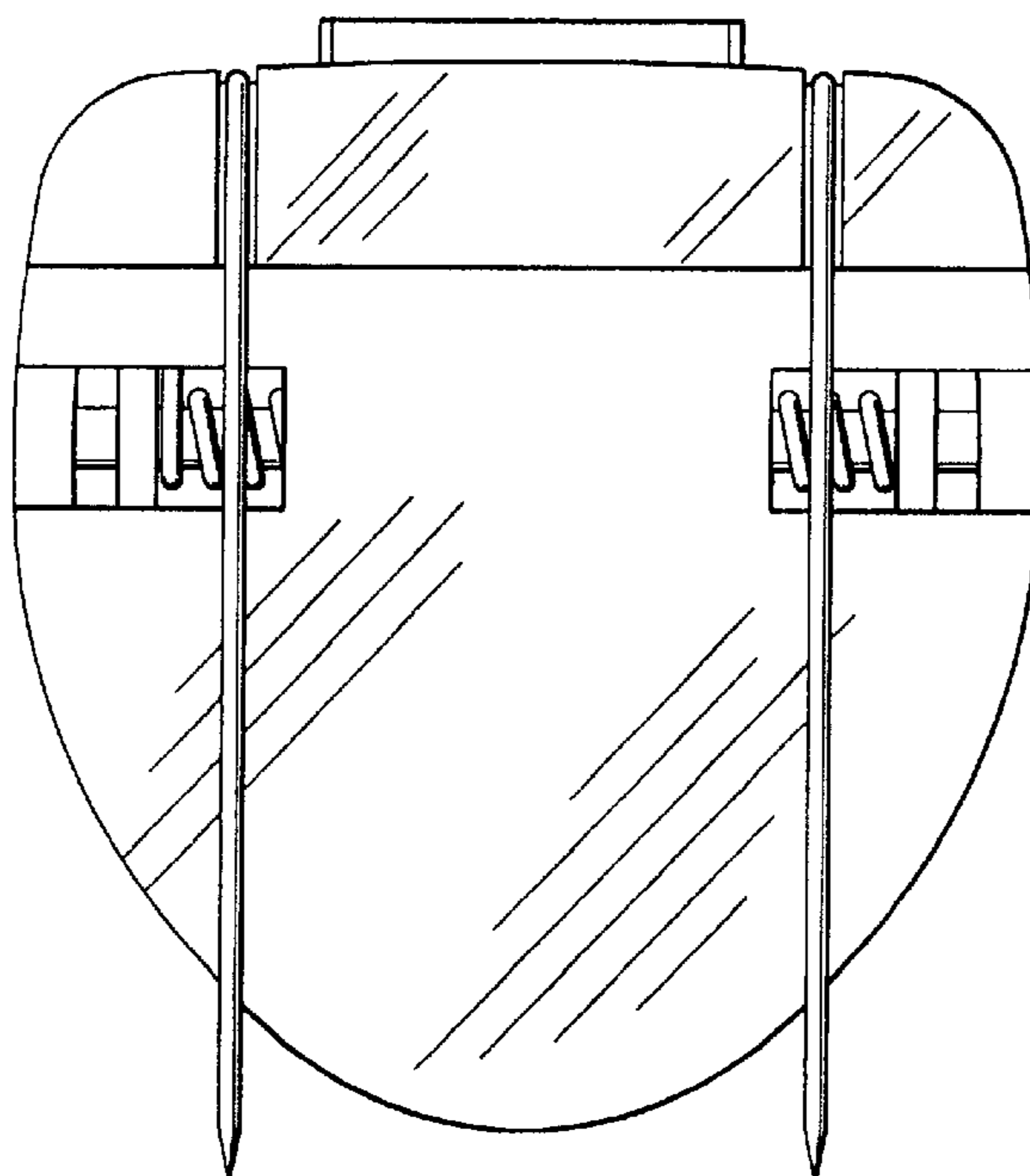


FIG. 3

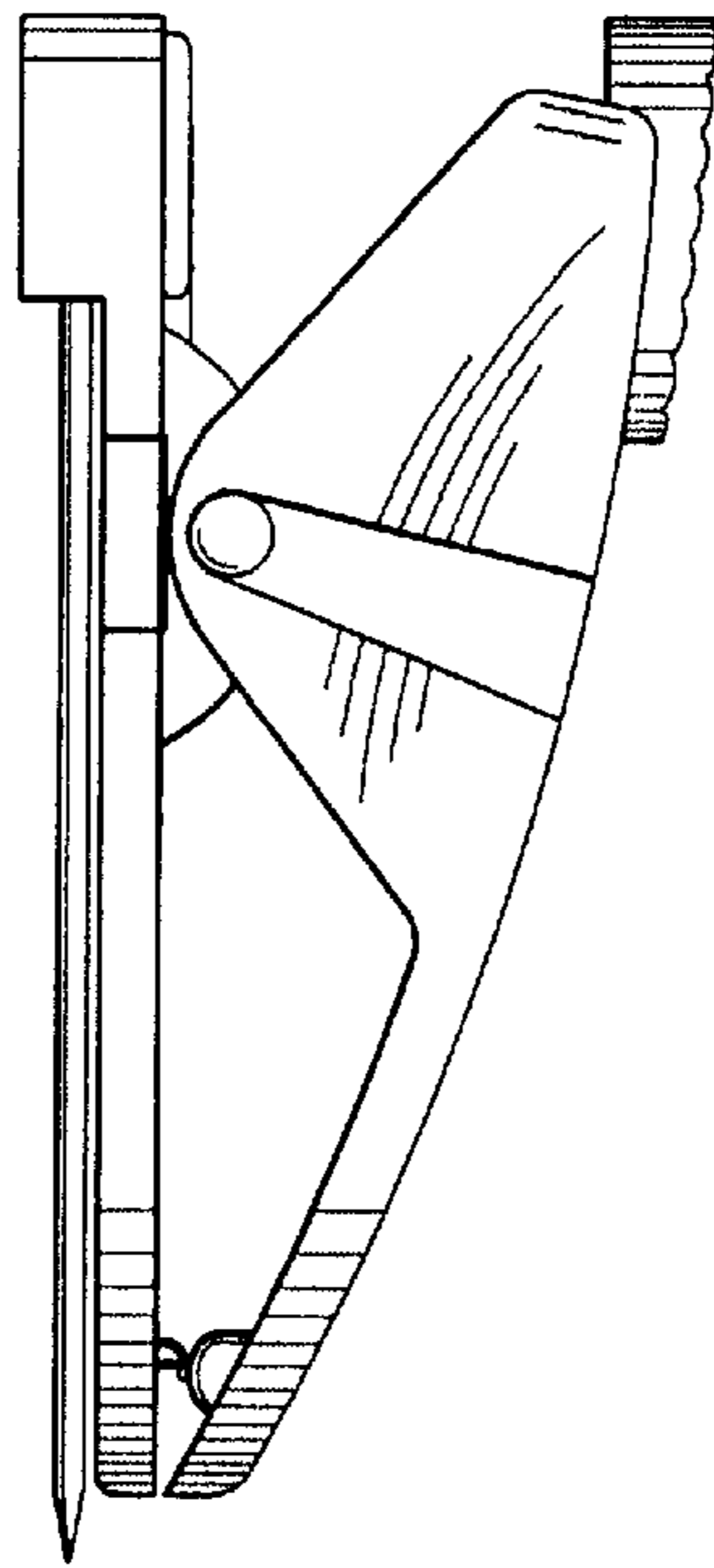


FIG. 4

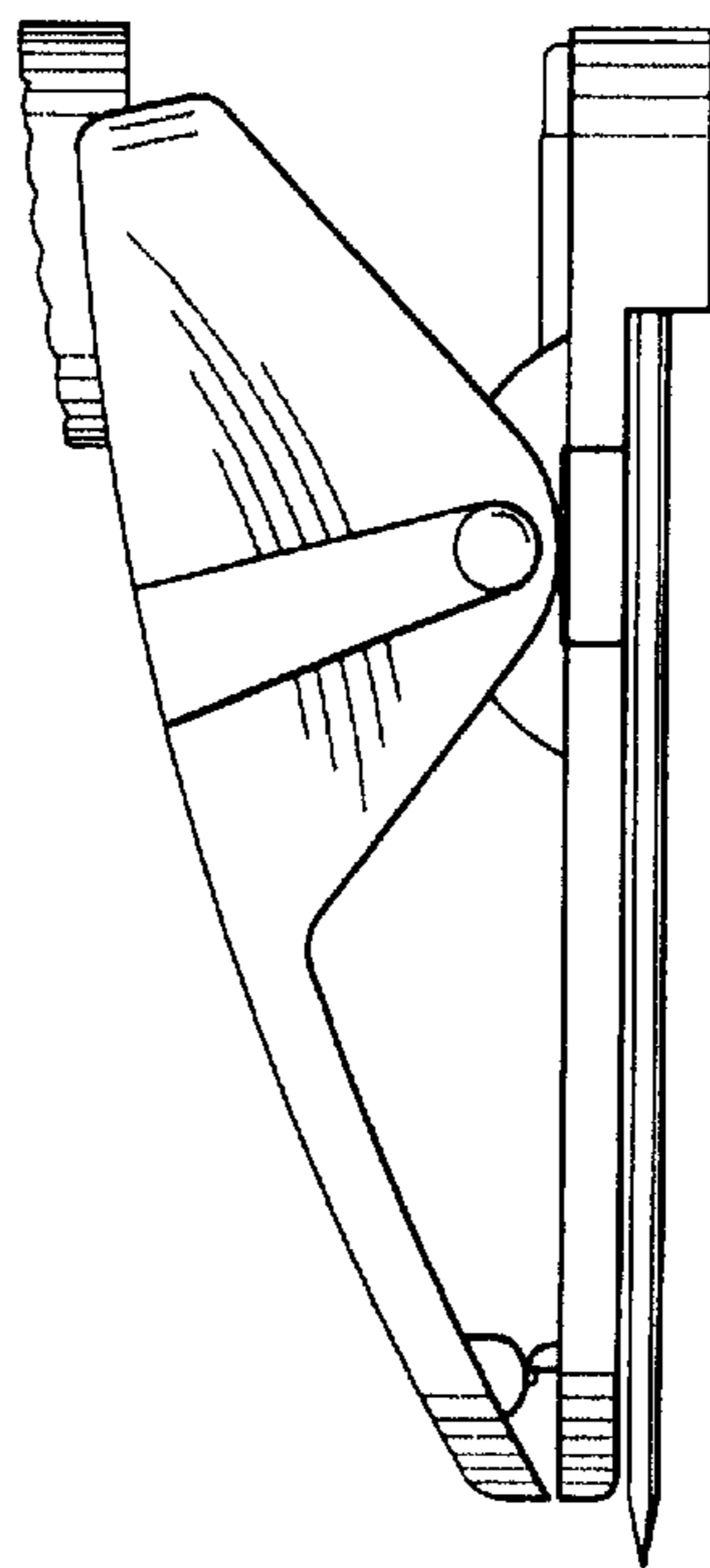


FIG. 5

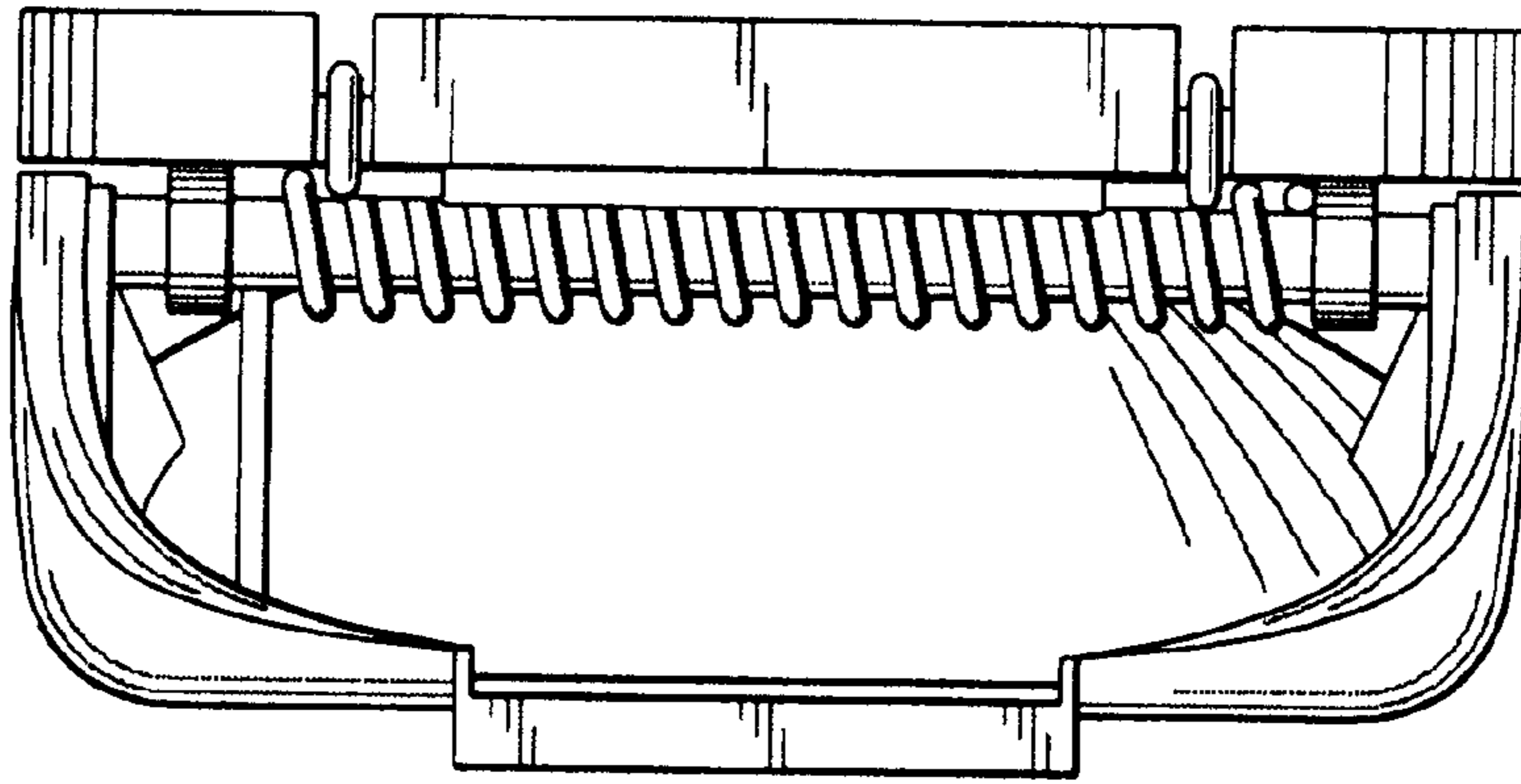


FIG. 6

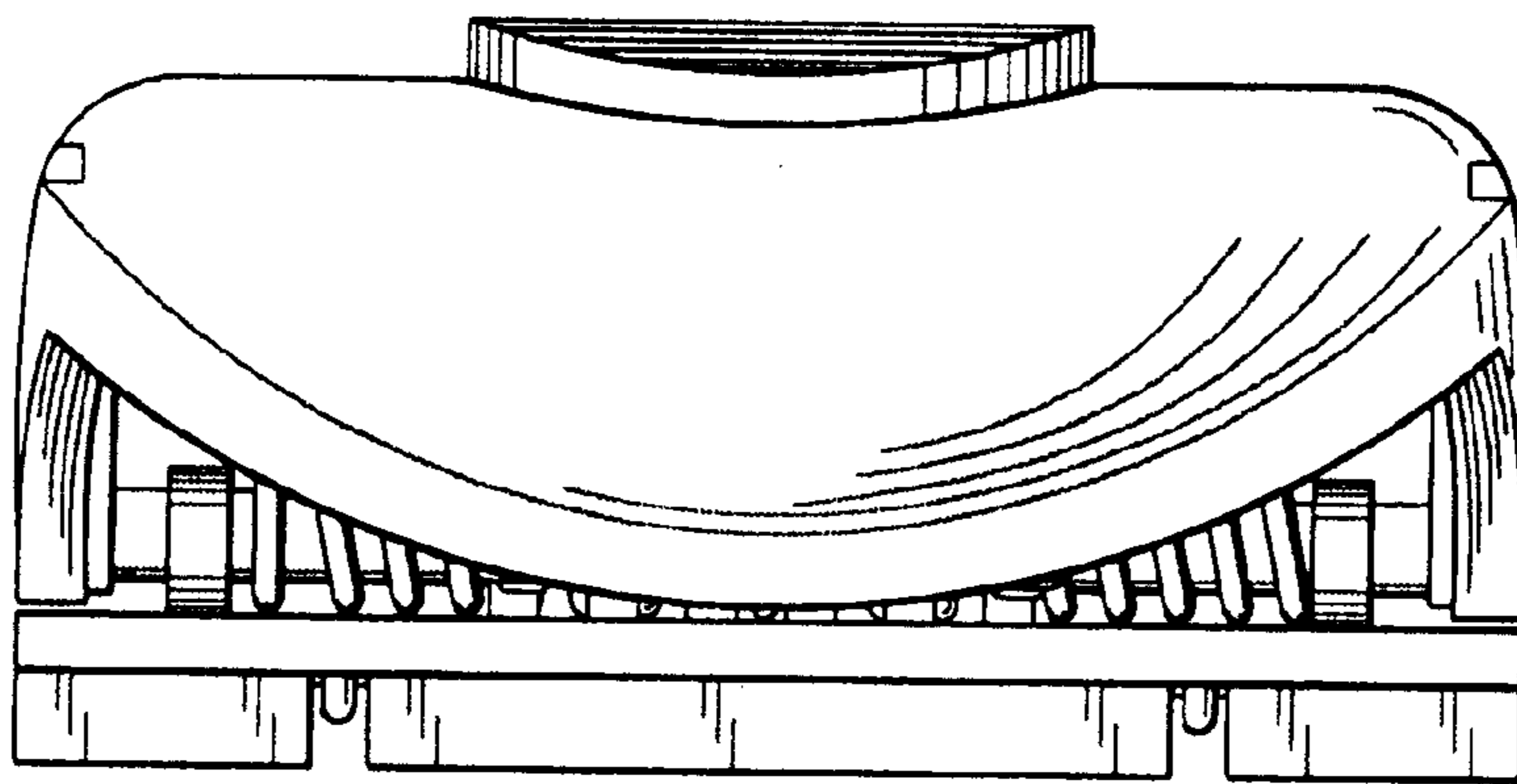


FIG. 7