



US00D438451S

(12) **United States Design Patent**
Reiter

(10) **Patent No.:** **US D438,451 S**

(45) **Date of Patent:** **** Mar. 6, 2001**

(54) **MAGNETIC SNAP FASTENER**

(75) Inventor: **Howard J. Reiter**, Orange, CT (US)

(73) Assignee: **Romag Fasteners Inc.**, Orange, CT (US)

(**) Term: **14 Years**

(21) Appl. No.: **29/125,153**

(22) Filed: **Jun. 16, 2000**

(51) **LOC (7) Cl.** **08-08**

(52) **U.S. Cl.** **D8/382; D11/220**

(58) **Field of Search** D11/200-220,
D11/231; D8/382, 349, 354, 373; 24/303,
300, 201

(56) **References Cited**

U.S. PATENT DOCUMENTS

D. 335,266	*	5/1993	Morita	D11/231
D. 360,391	*	7/1995	Aoki	D11/220
D. 400,429	*	11/1998	Morita	D8/382
D. 403,952	*	1/1999	Podell	D8/382
D. 426,491	*	6/2000	Chan	D11/220
D. 430,483	*	9/2000	Wah et al.	D8/382

* cited by examiner

Primary Examiner—Louis S. Zarfaz

Assistant Examiner—Catherine R. Oliver

(74) *Attorney, Agent, or Firm*—Cooper & Dunham LLP

(57) **CLAIM**

The ornamental design for a magnetic snap fastener, as shown and described.

DESCRIPTION

FIG. 1 is an exploded top perspective view of a first embodiment of a magnetic snap fastener;
 FIG. 2 is an exploded bottom perspective view of FIG. 1;
 FIG. 3 is a top view;
 FIG. 4 is a bottom view;
 FIG. 5 is a front exploded view, with the rear being a mirror image;
 FIG. 6 is a side exploded view of the first embodiment, with the opposite side being a mirror image;
 FIG. 7 is an exploded top perspective view of a second embodiment of a magnetic snap fastener;
 FIG. 8 is an exploded bottom perspective view;
 FIG. 9 is a top view;
 FIG. 10 is a bottom view;
 FIG. 11 is a front exploded view, with the rear being a mirror image; and,
 FIG. 12 is a side exploded view of the second embodiment, with the opposite side being a mirror image.

1 Claim, 2 Drawing Sheets

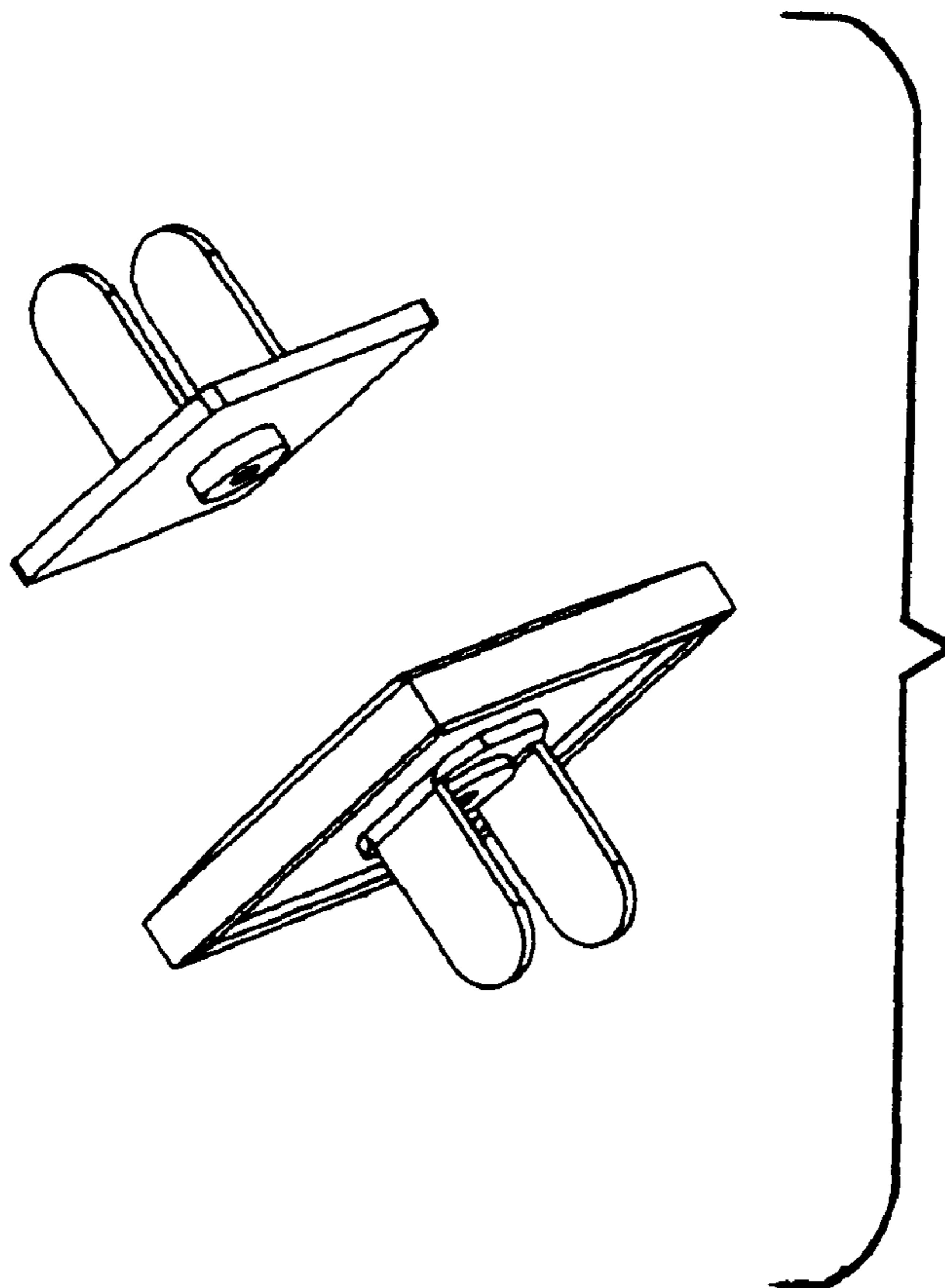


FIGURE 1

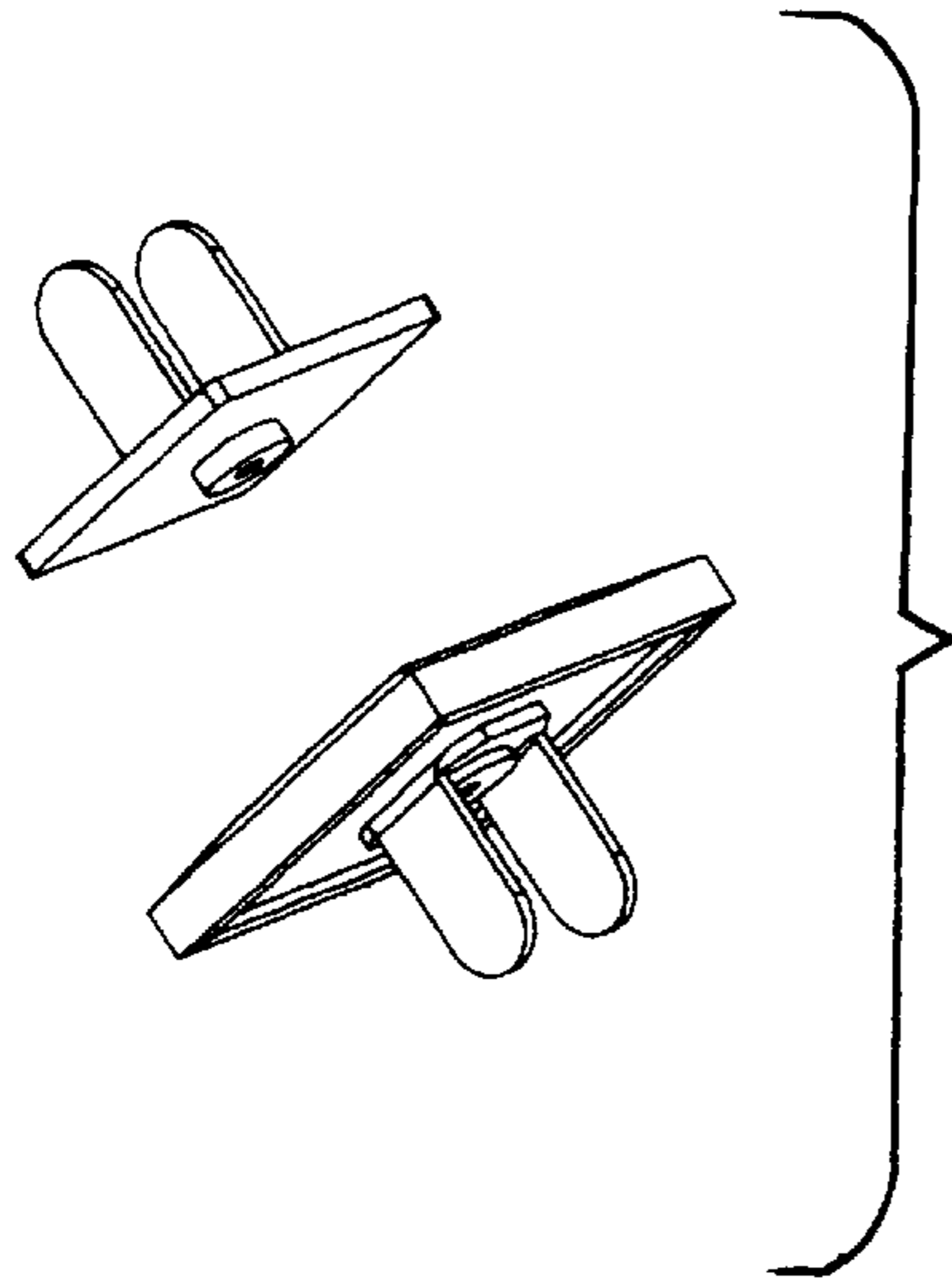


FIGURE 2

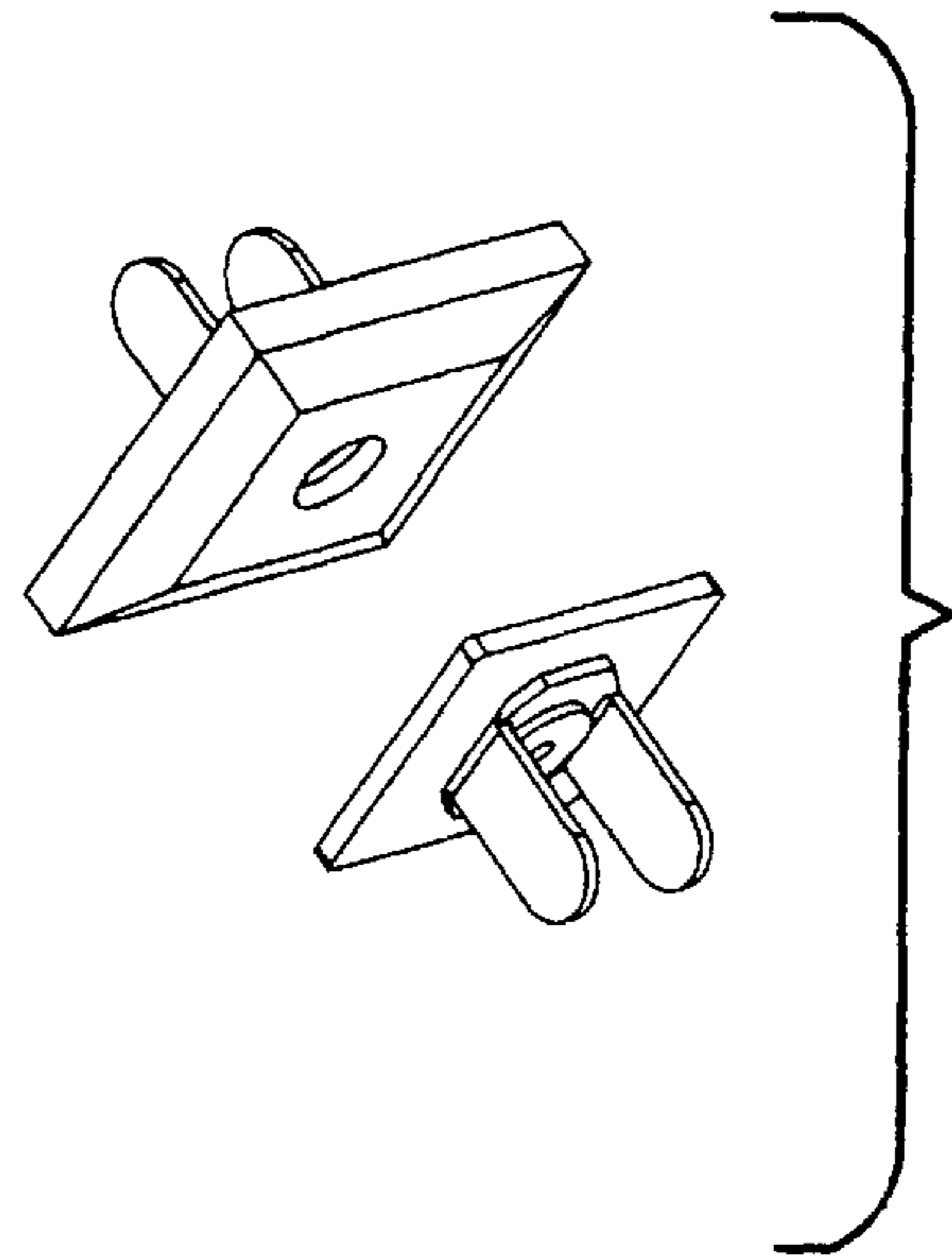


FIGURE 3

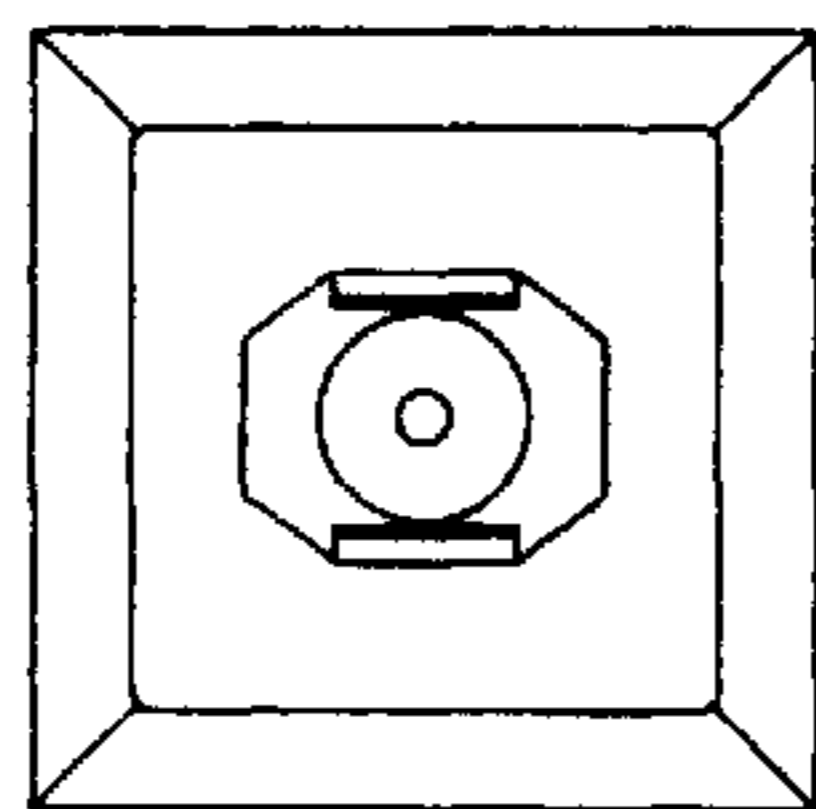


FIGURE 4

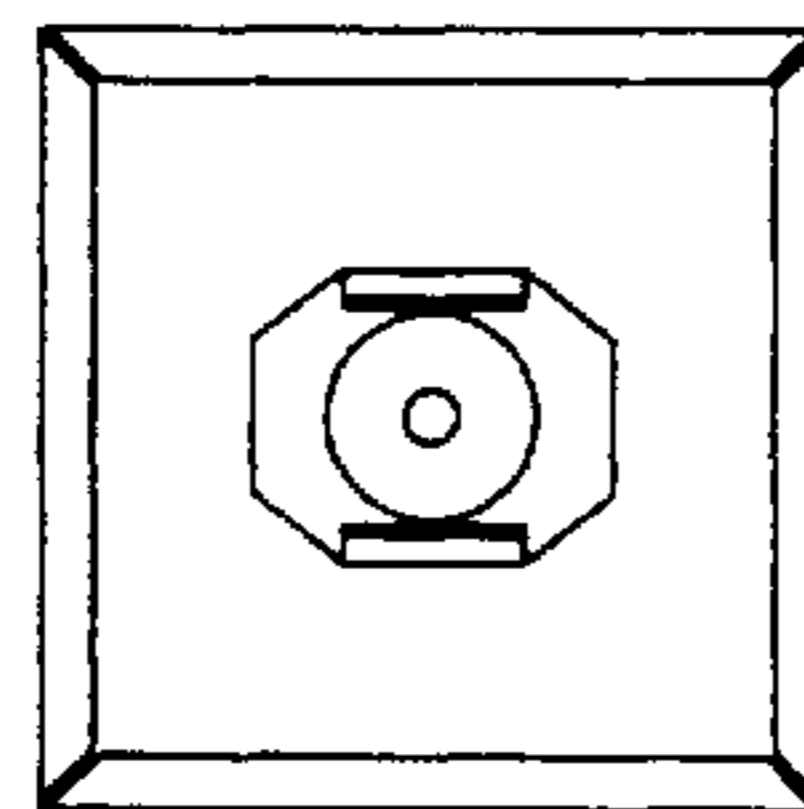


FIGURE 5

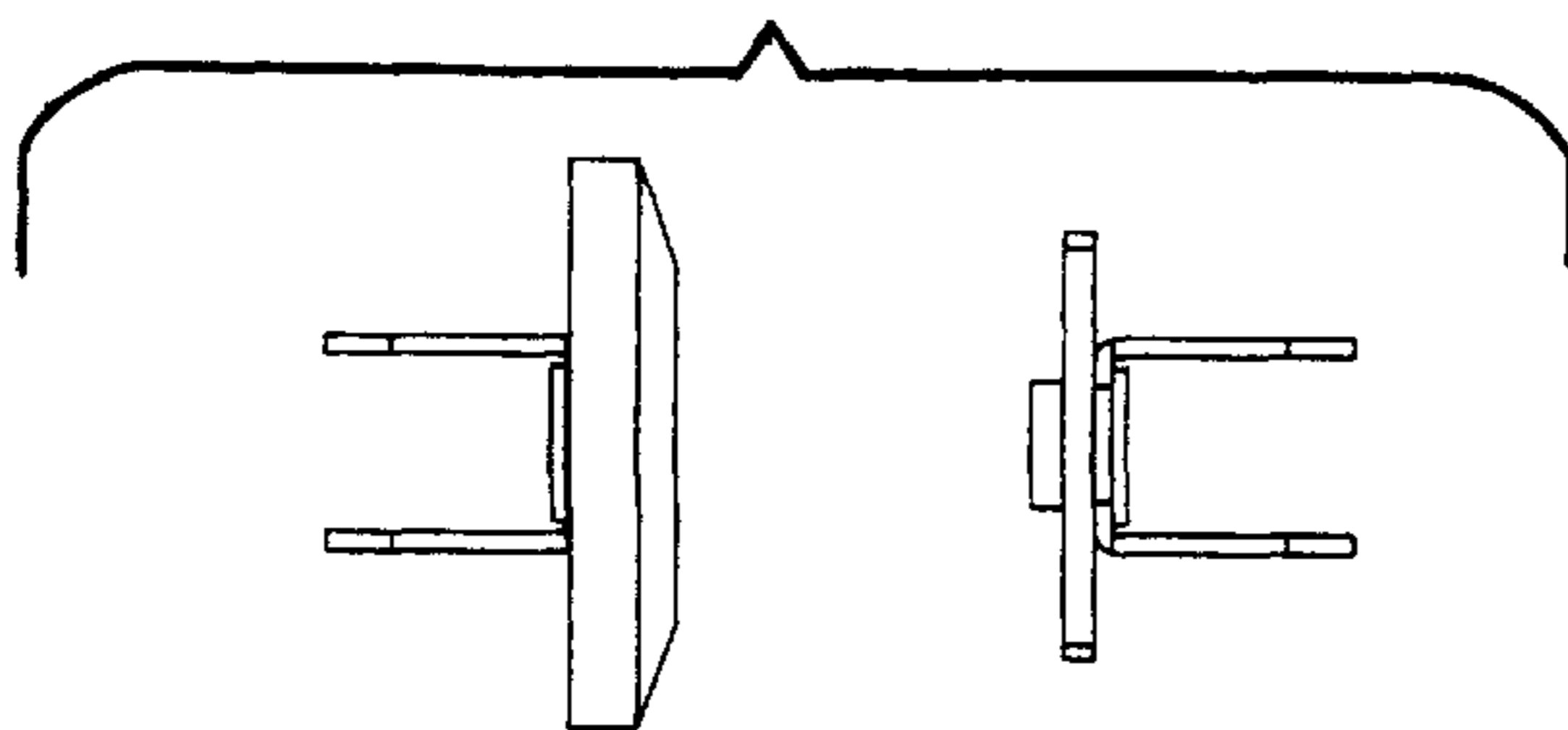


FIGURE 6

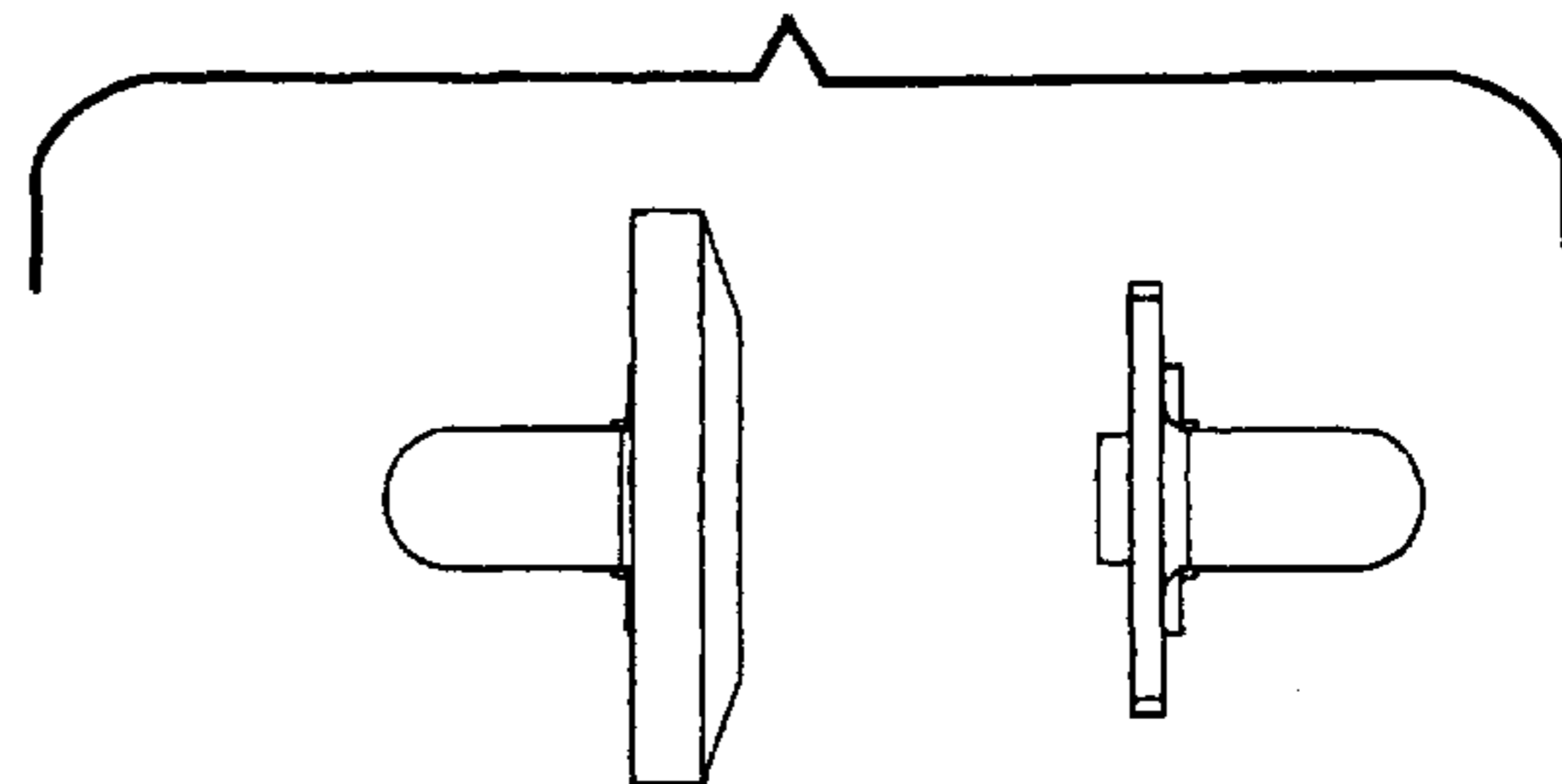


FIGURE 7

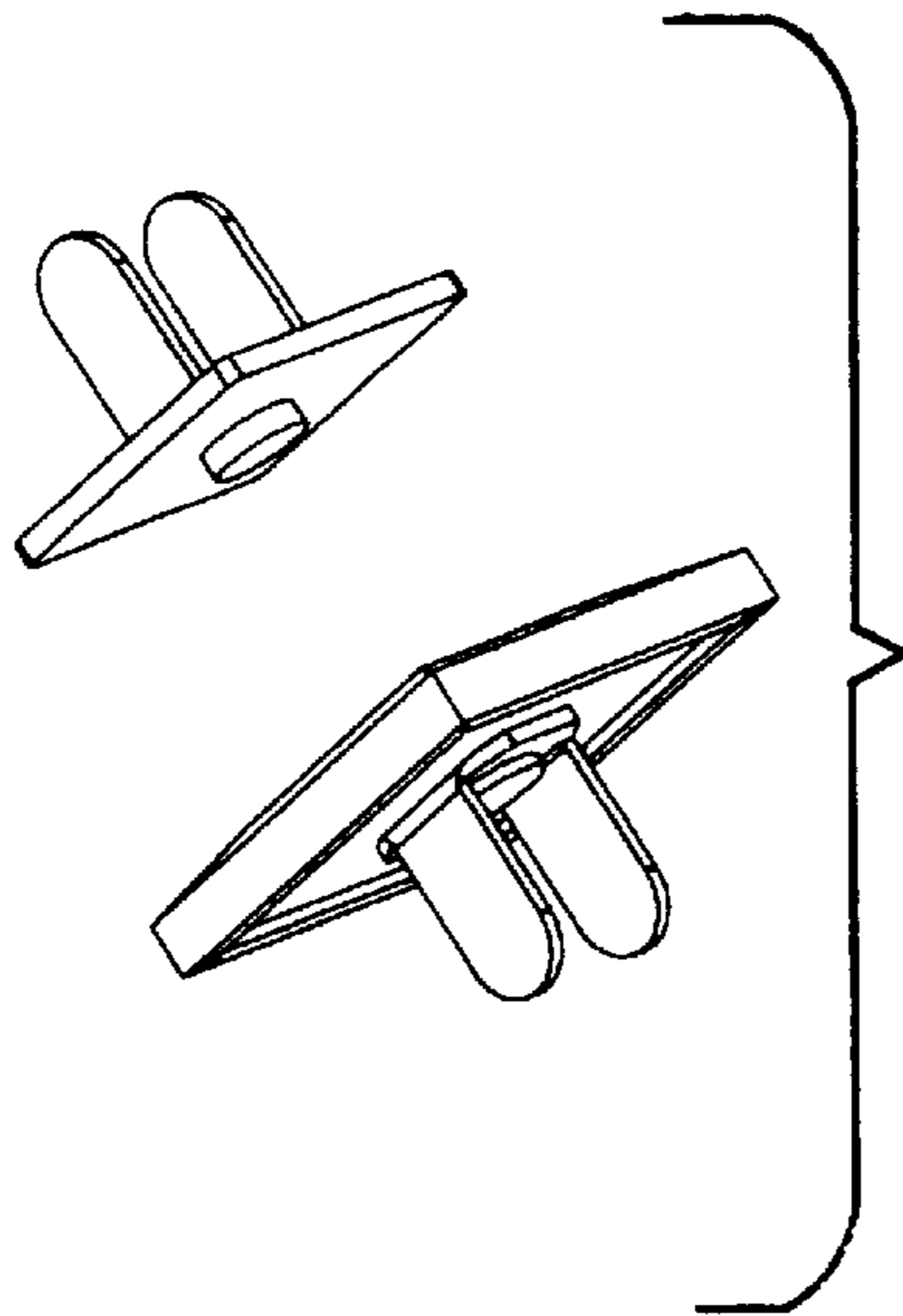


FIGURE 8

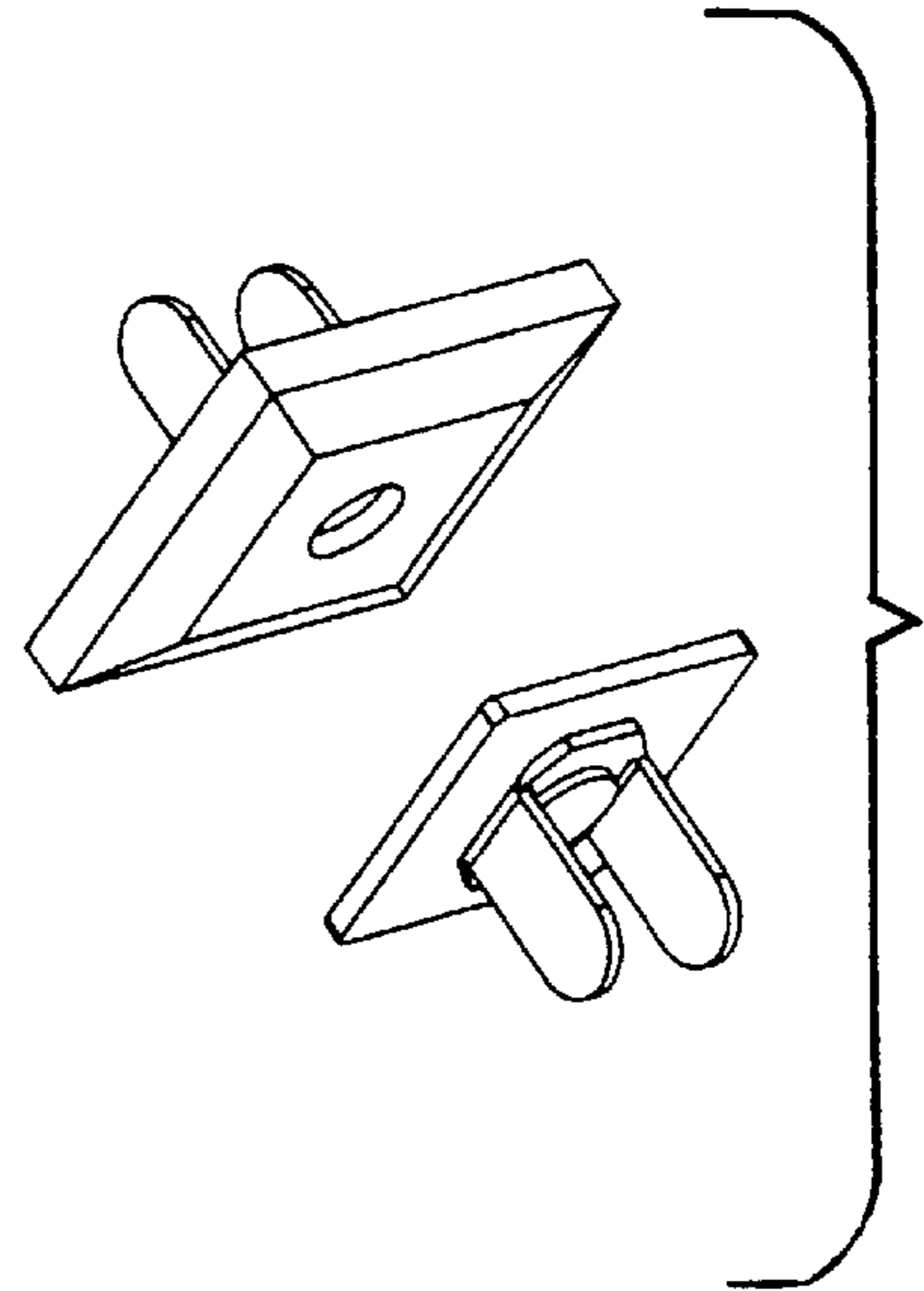


FIGURE 9

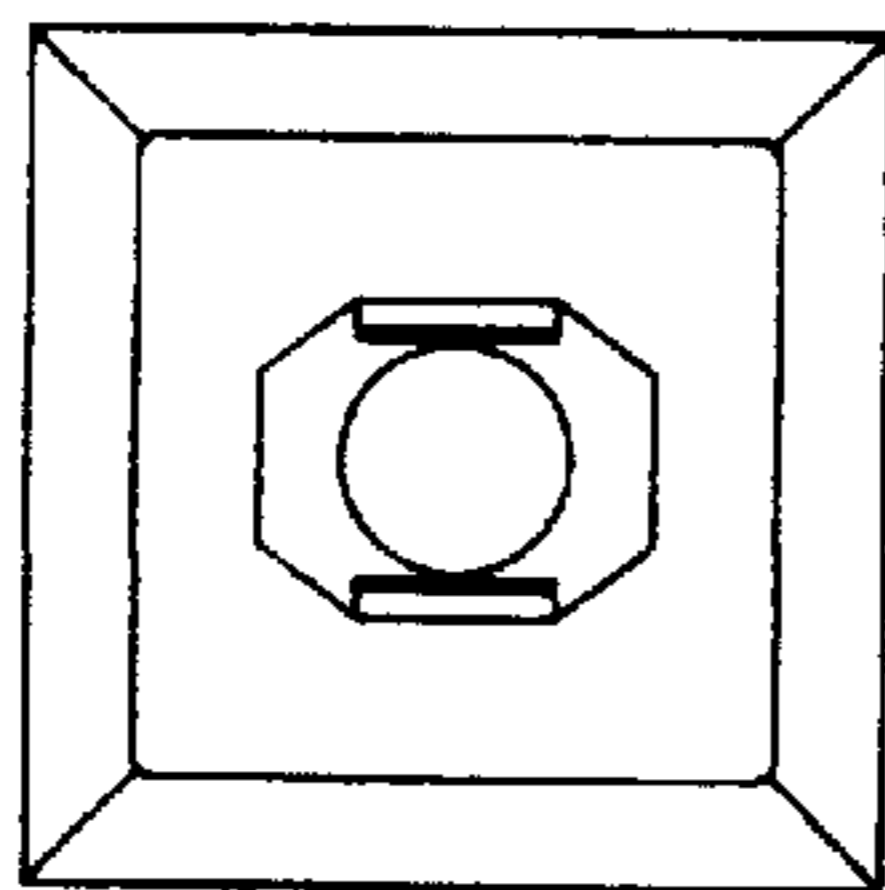


FIGURE 10

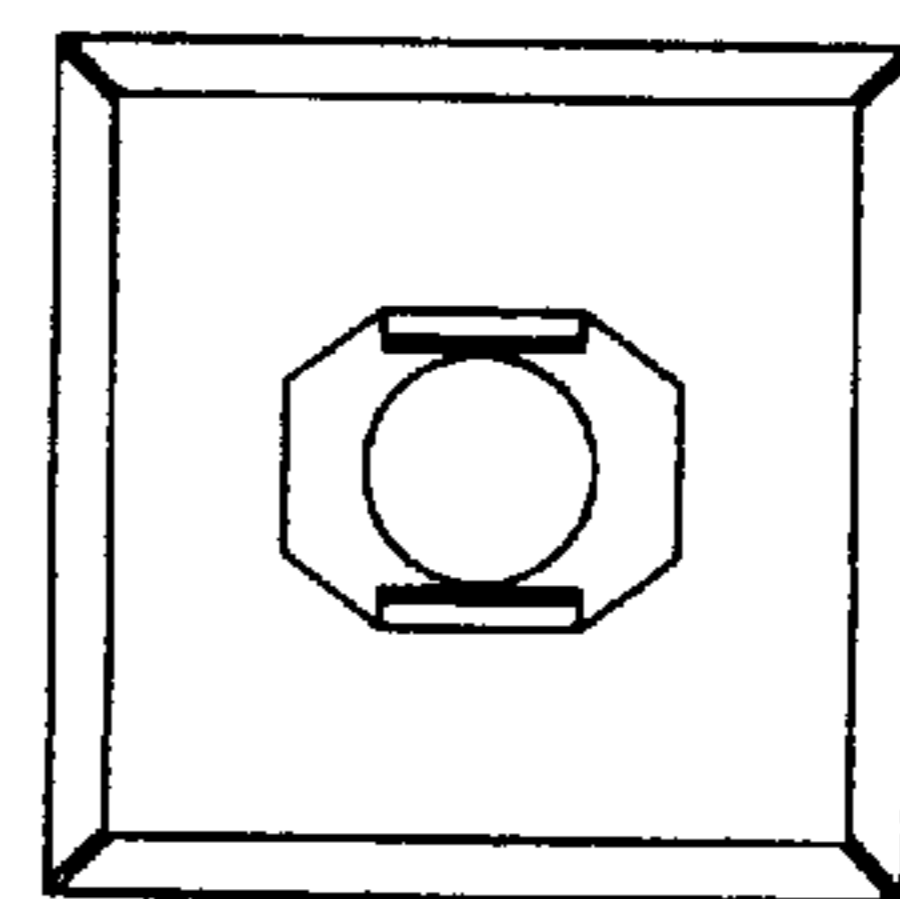


FIGURE 11

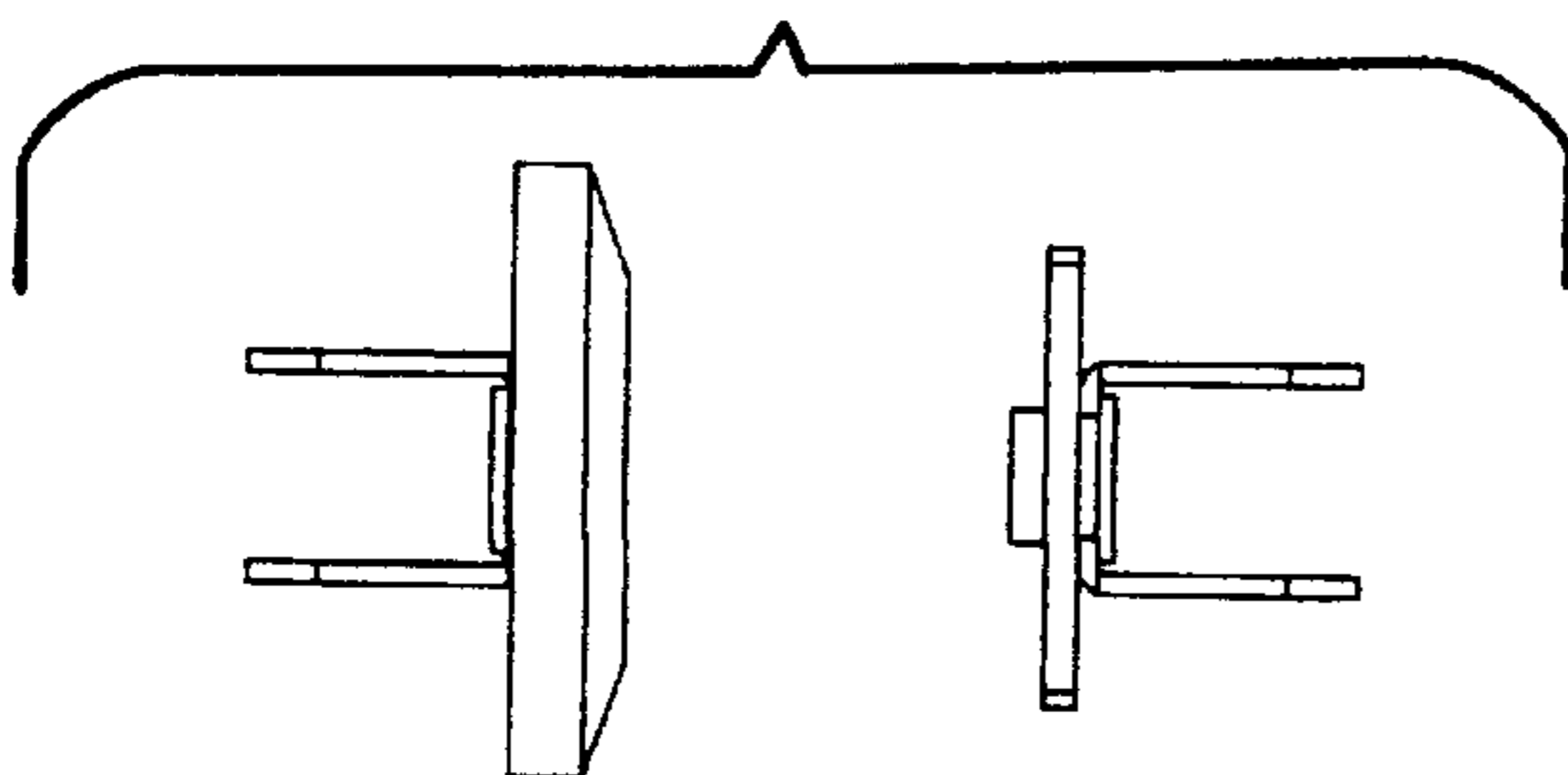


FIGURE 12

