



US00D438450S

(12) **United States Design Patent**
Jones

(10) **Patent No.:** **US D438,450 S**
(45) **Date of Patent:** **** Mar. 6, 2001**

(54) **GARMENT HANGER**

FOREIGN PATENT DOCUMENTS

(76) Inventor: **Rosswell Bruce Jones**, 10 Stacey St.,
Dowerin, Western Australia (AU), 6461

7979 7/1922 (AU) .
7226 5/1927 (AU) .
B509990 9/1979 (AU) .

(**) Term: **14 Years**

* cited by examiner

(21) Appl. No.: **29/076,299**

Primary Examiner—Holly Baynham

(22) Filed: **Sep. 5, 1997**

(74) *Attorney, Agent, or Firm*—Fredrikson & Byron, PA

Related U.S. Application Data

(57) **CLAIM**

(63) Continuation-in-part of application No. 29/058,610, filed on
Aug. 13, 1996, now abandoned.

I claim the ornamental design for a garment hanger, as
shown.

(30) **Foreign Application Priority Data**

DESCRIPTION

Feb. 14, 1996 (AU) 392/96
Jun. 28, 1996 (AU) 2075/96
May 20, 1997 (AU) 1580/1997

FIG. 1 is a perspective view of a garment hanger of the
design;

(51) **LOC (7) Cl.** **08-05**
(52) **U.S. Cl.** **D8/376**
(58) **Field of Search** D8/376; 211/123,
211/89, 105.3; 248/261-263

FIG. 2 is a top plan view thereof;

FIG. 3 is an end view thereof with the opposite end being a
mirror image;

(56) **References Cited**

U.S. PATENT DOCUMENTS

D. 317,399 6/1991 Varley et al. .
2,868,389 * 1/1959 Friend 211/123
4,415,093 11/1983 Livingston .
4,577,766 * 3/1986 Miller 211/123
4,729,482 3/1988 Nicholson .
4,760,929 8/1988 Fedorchak .
4,805,786 2/1989 Miller .
4,971,210 11/1990 Blumenkranz et al. .

FIG. 4 is an upper perspective view of a second embodiment
of my invention;

FIG. 5 is a lower perspective view of a second embodiment
of my invention;

FIG. 6 is a top plan view of a second embodiment of my
invention;

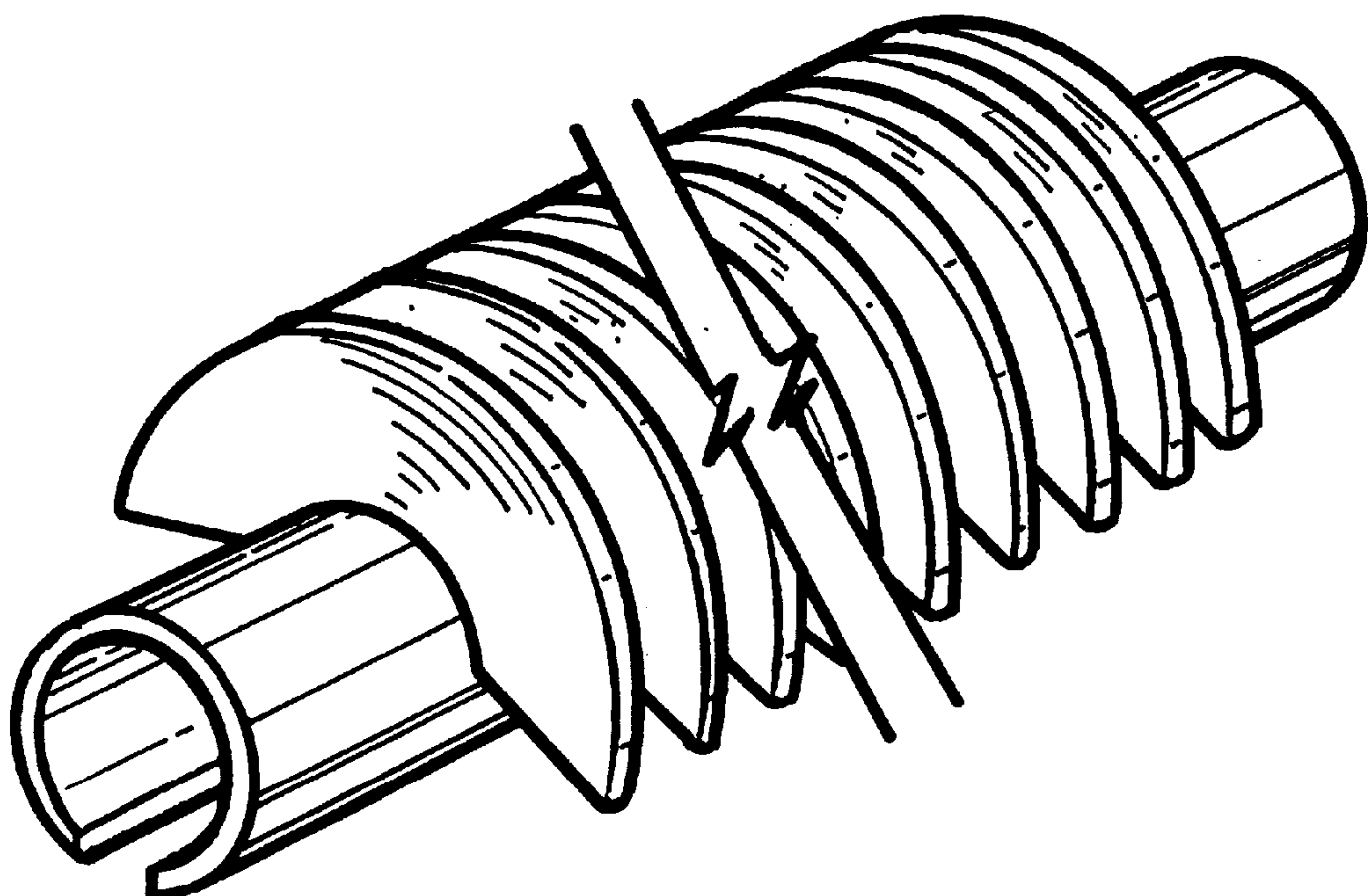
FIG. 7 is a side plan view of a second embodiment of my
invention with the opposite side being a mirror image;

FIG. 8 is a bottom plan view of a second embodiment of my
invention; and,

FIG. 9 is an end view of a second embodiment of my
invention with the opposite end being a mirror image.

The claimed design is shown broken away to show indeter-
minate length.

1 Claim, 5 Drawing Sheets



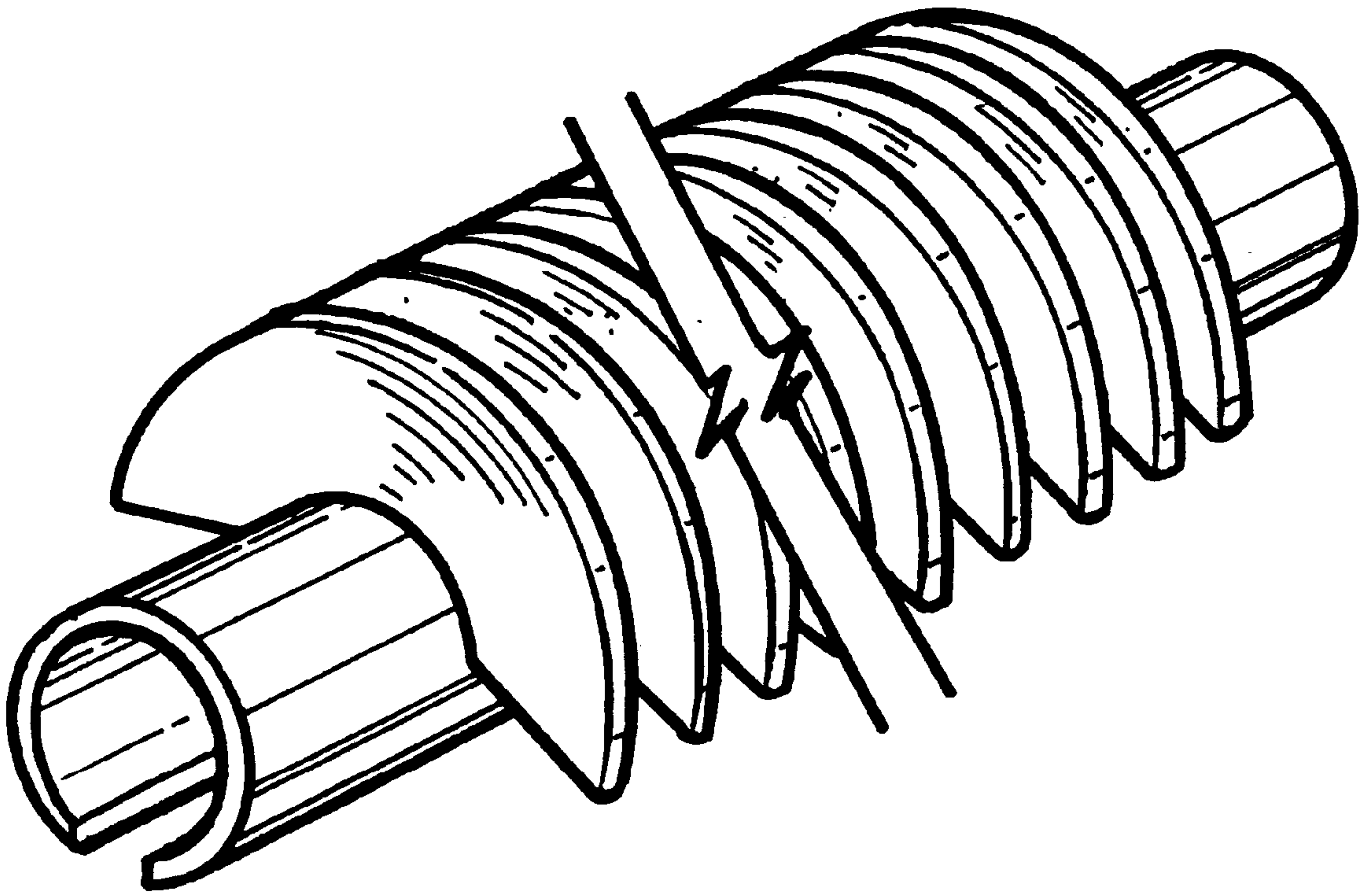


FIG 1

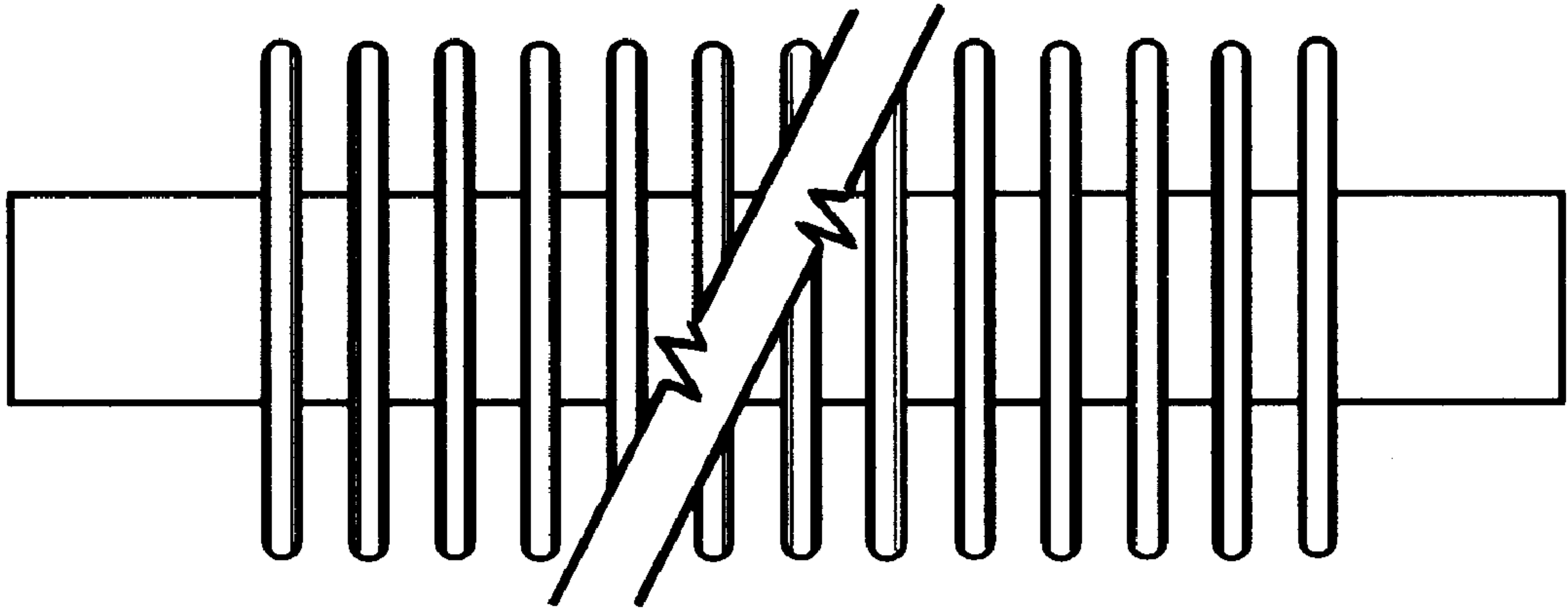


FIG 2

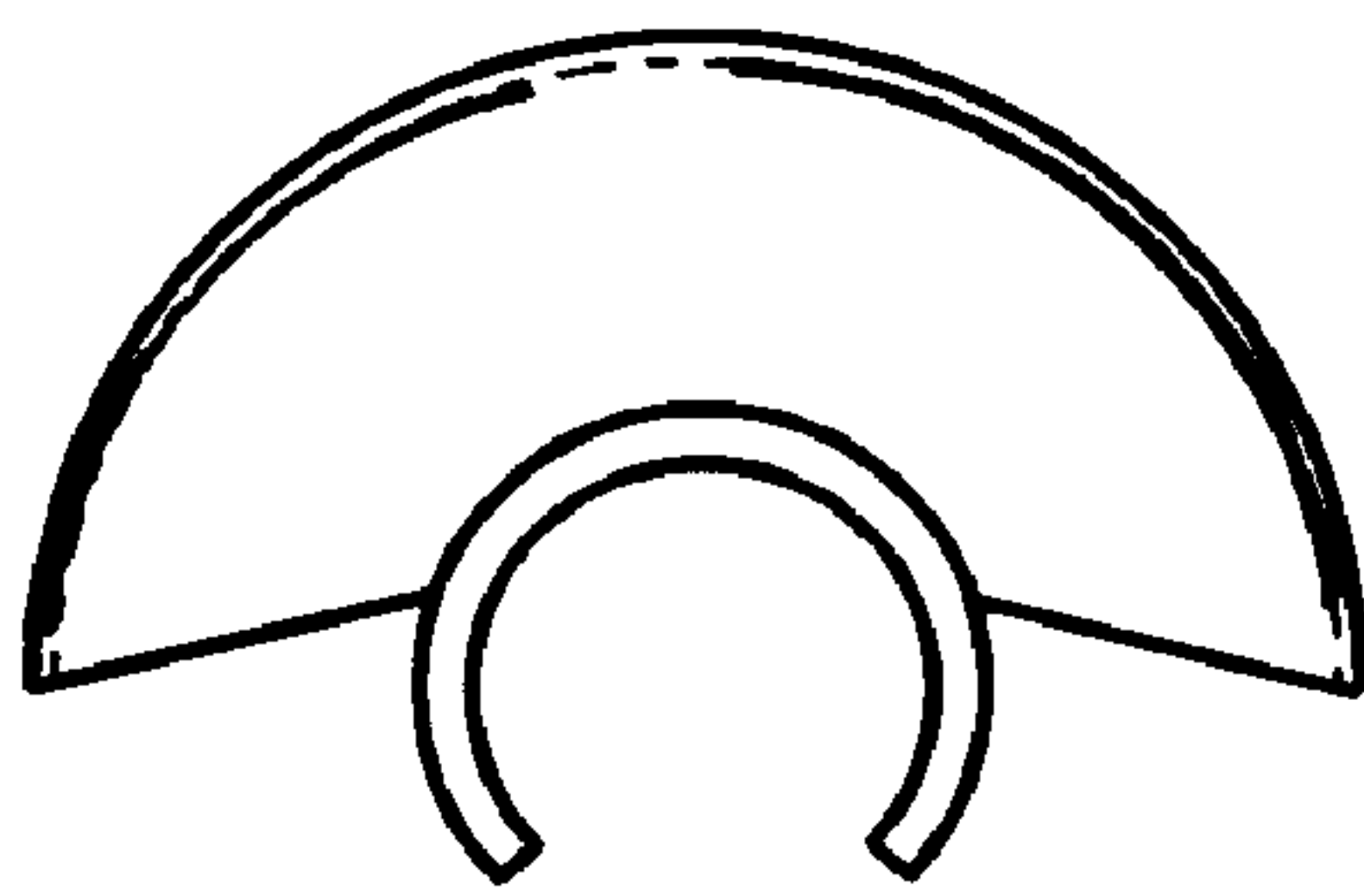
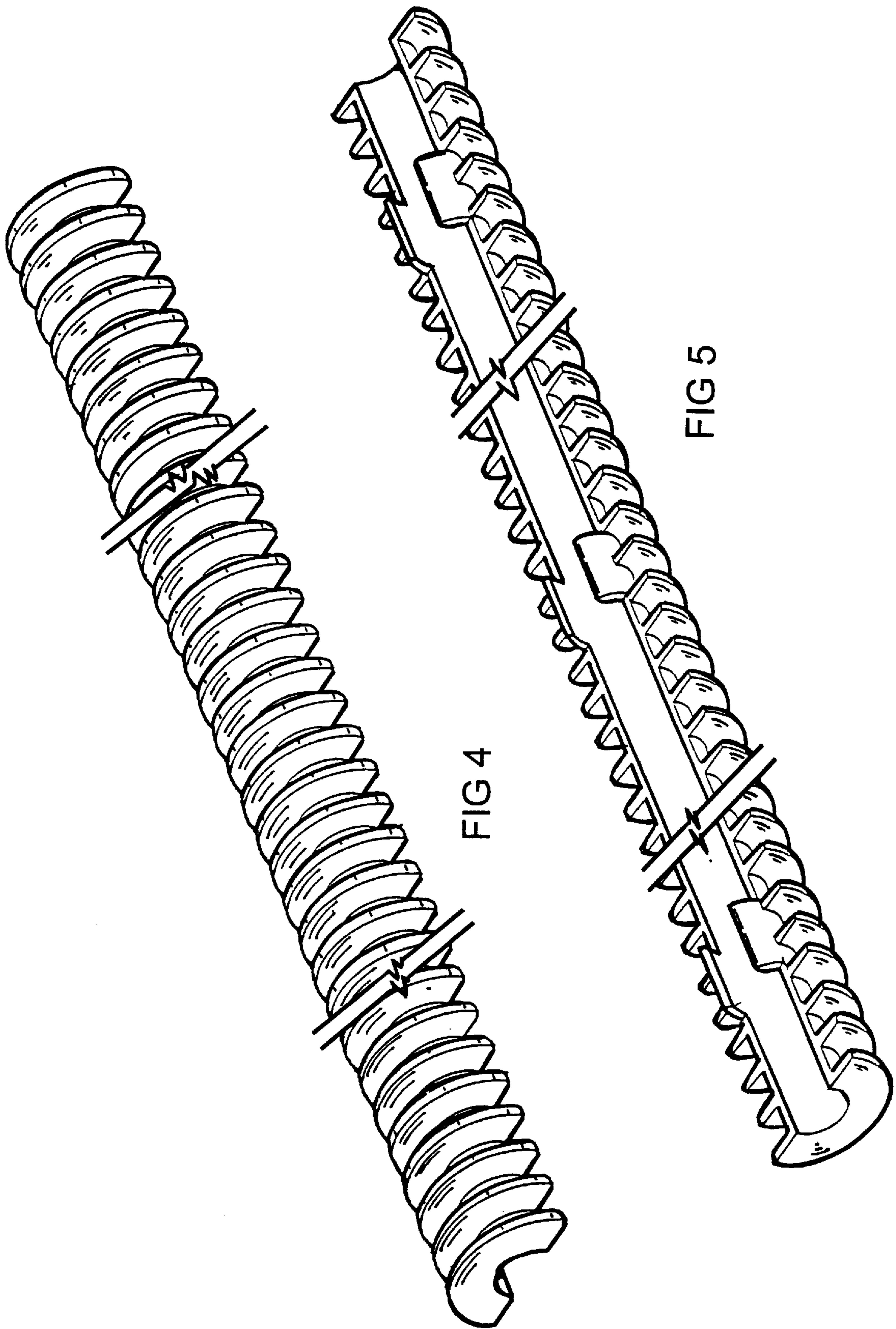


FIG 3



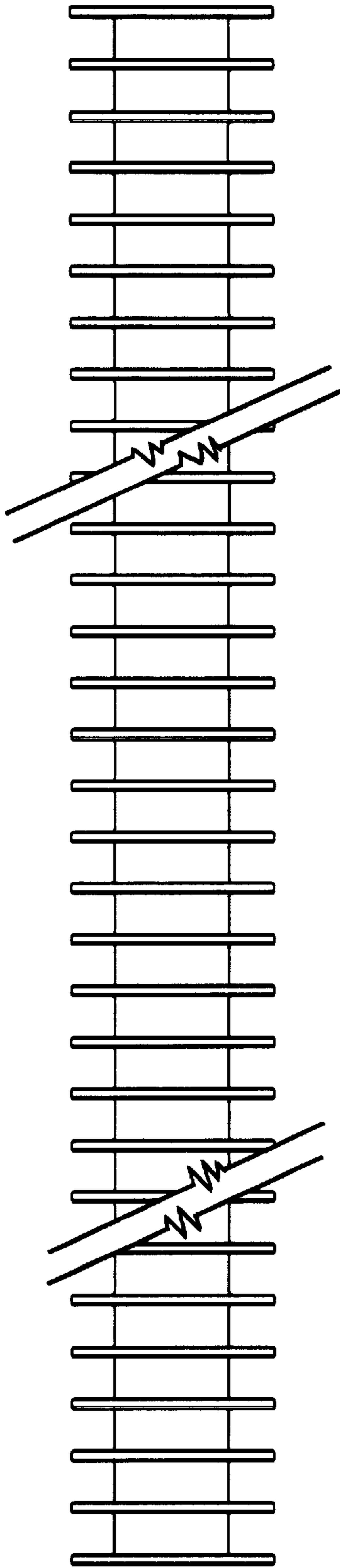


FIG 6

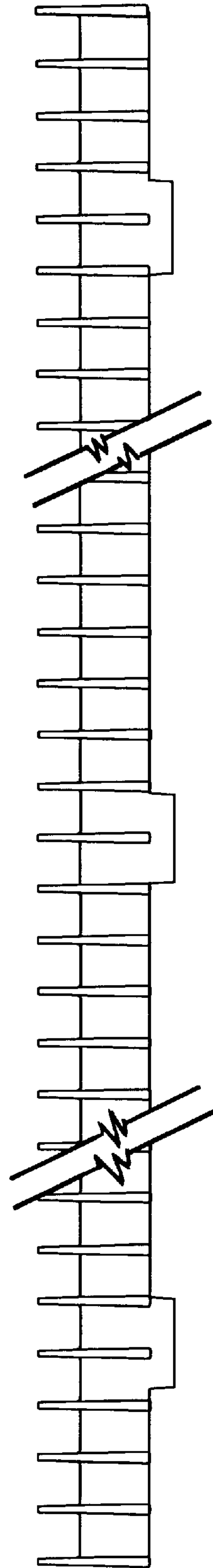


FIG 7

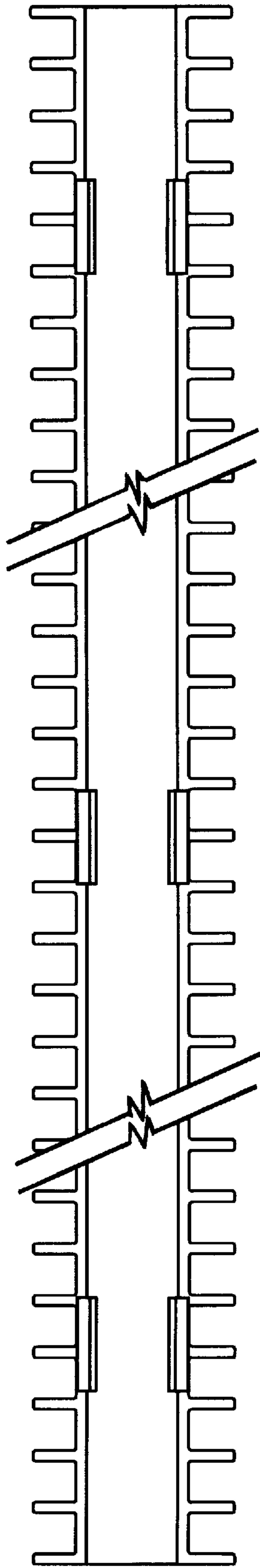


FIG 8

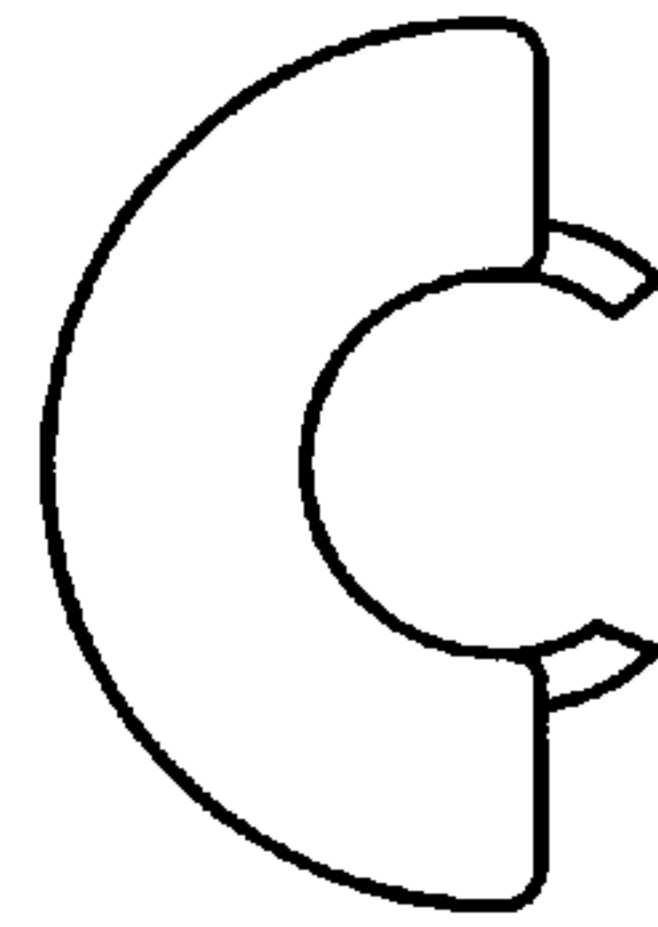


FIG 9