



US00D438448S

(12) **United States Design Patent**  
**Batting et al.**

(10) **Patent No.:** **US D438,448 S**

(45) **Date of Patent:** **\*\* Mar. 6, 2001**

(54) **RAIL SUPPORT FOR STORAGE HOOKS**

*Primary Examiner*—Holly Baynham  
(74) *Attorney, Agent, or Firm*—Robert J. Doherty

(75) Inventors: **Robert D. Batting**, Barrington, RI (US); **Keith M. G. Bibby**, Mansfield, MA (US); **Robert H. Hesford**, Wakefield, RI (US)

(57) **CLAIM**

The ornamental design for a rail support for storage hooks, as shown and described.

(73) Assignee: **Kenney Manufacturing Co.**, Warwick, RI (US)

**DESCRIPTION**

(\*\*) Term: **14 Years**

FIG. 1 is a front perspective view of a rail support for storage hooks with a portion removed to show that the rail may be of increased length showing our new design; FIG. 2 is a front elevational view of FIG. 1; FIG. 3 is a rear elevational view of FIG. 1; FIG. 4 is a top plan view of FIG. 1; FIG. 5 is a bottom plan view of FIG. 1; FIG. 6 is a left side elevational view of FIG. 1, the right side elevational view being the mirror image thereof; FIG. 7 is a front perspective view of a modified form of a rail support for storage hooks from that shown in FIG. 1; FIG. 8 is a front elevational view of FIG. 7; FIG. 9 is a rear elevational view of FIG. 7; FIG. 10 is a top plan view of FIG. 7; FIG. 11 is a bottom plan view of FIG. 7; and, FIG. 12 is a left side elevational view of FIG. 7, the right side elevational view being the mirror image thereof. The broken line showing of a storage hook in FIGS. 1 and 7 are for illustrative purposes and form no part of the claimed design.

(21) Appl. No.: **29/127,968**

(22) Filed: **Aug. 16, 2000**

(51) **LOC (7) Cl.** ..... **08-05**

(52) **U.S. Cl.** ..... **D8/354**

(58) **Field of Search** ..... D8/380, 373; D6/572, D6/567, 574; 248/220.31, 220.41; 211/87.01, 94.01, 94.02, 70.1, 105.1

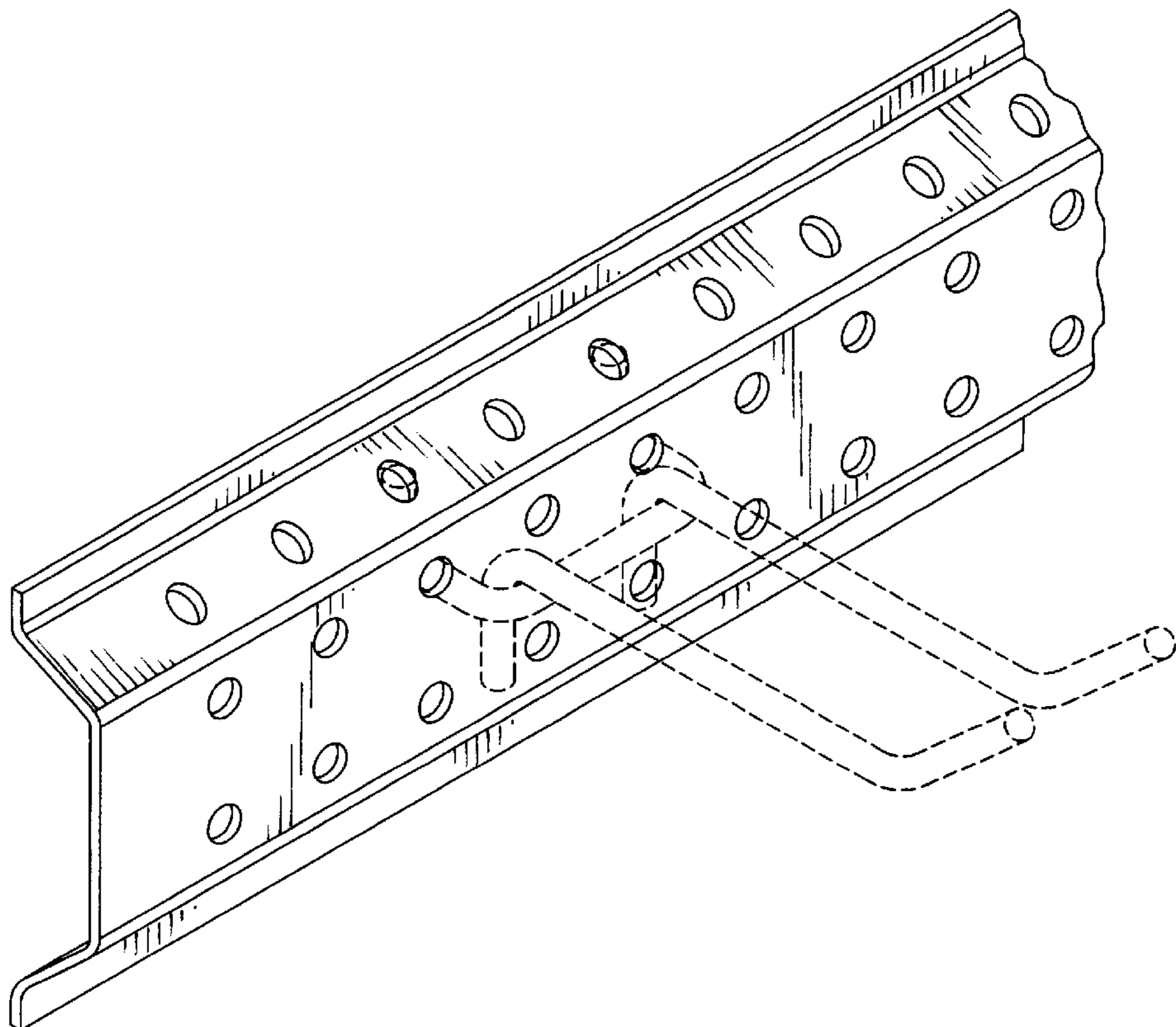
(56) **References Cited**

**U.S. PATENT DOCUMENTS**

D. 188,221	*	6/1960	Maro	.....	D6/574
2,400,807	*	5/1946	Burkhard	.....	248/221.41
2,805,777	*	9/1957	Larson	.....	211/70.1
4,071,212	*	1/1978	Burrows et al.	.....	D6/574 X
4,264,013	*	4/1981	Vollmer	.....	211/85.2
5,407,170	*	4/1995	Slivon et al.	.....	248/552

\* cited by examiner

**1 Claim, 4 Drawing Sheets**



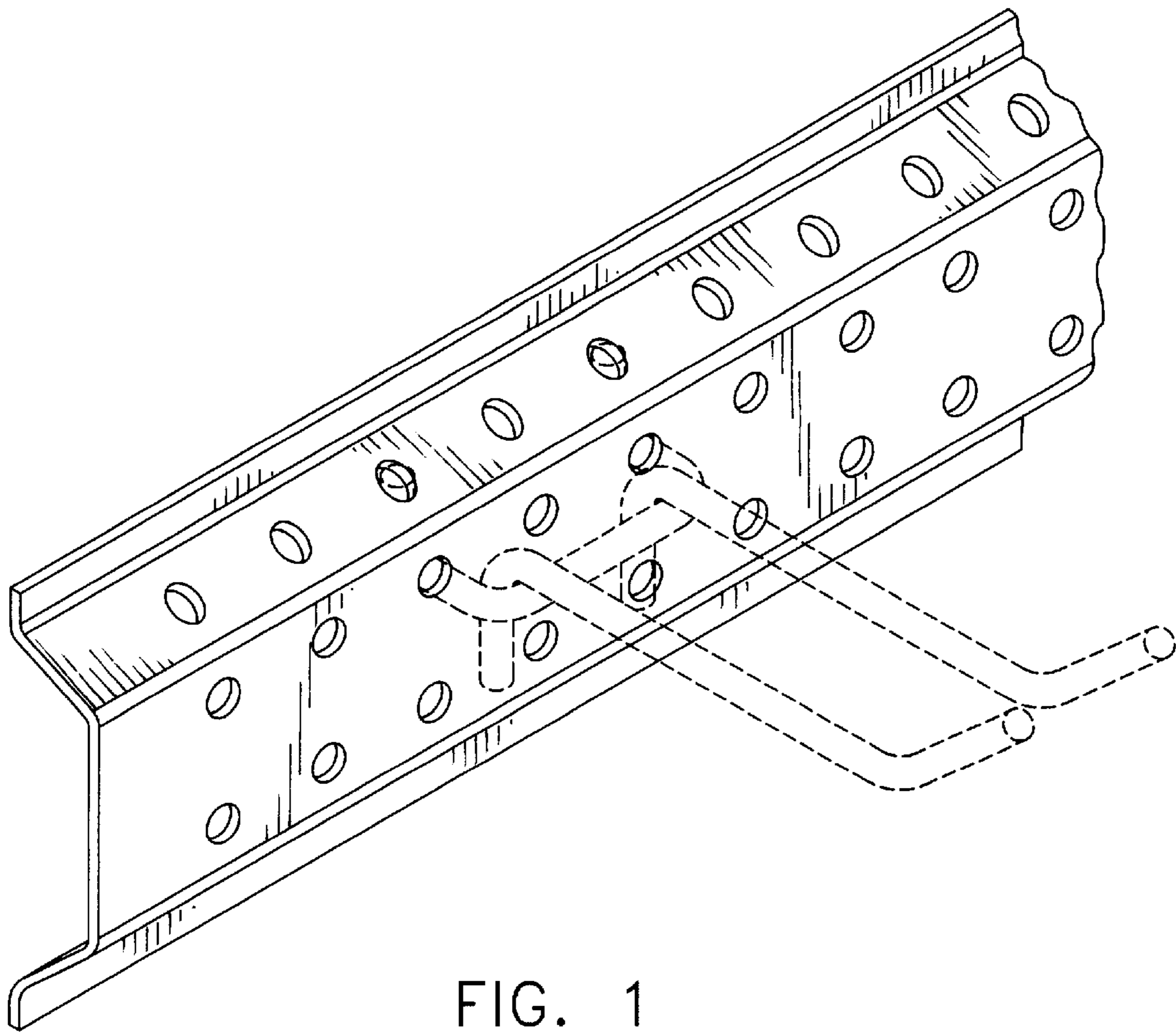


FIG. 1

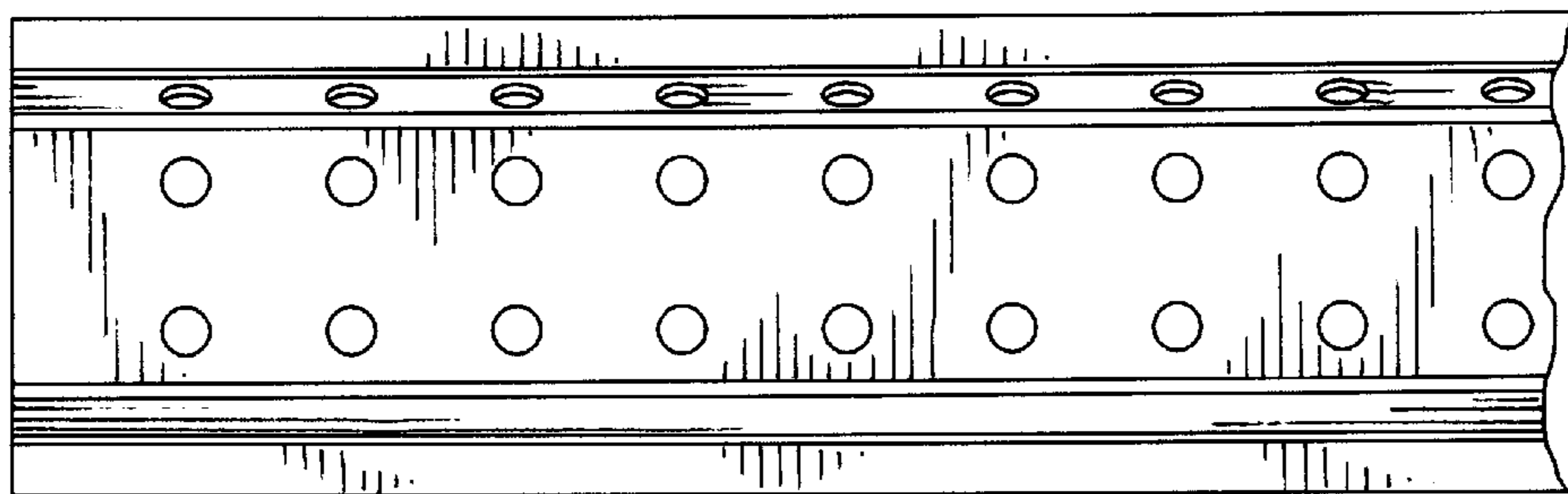


FIG. 2

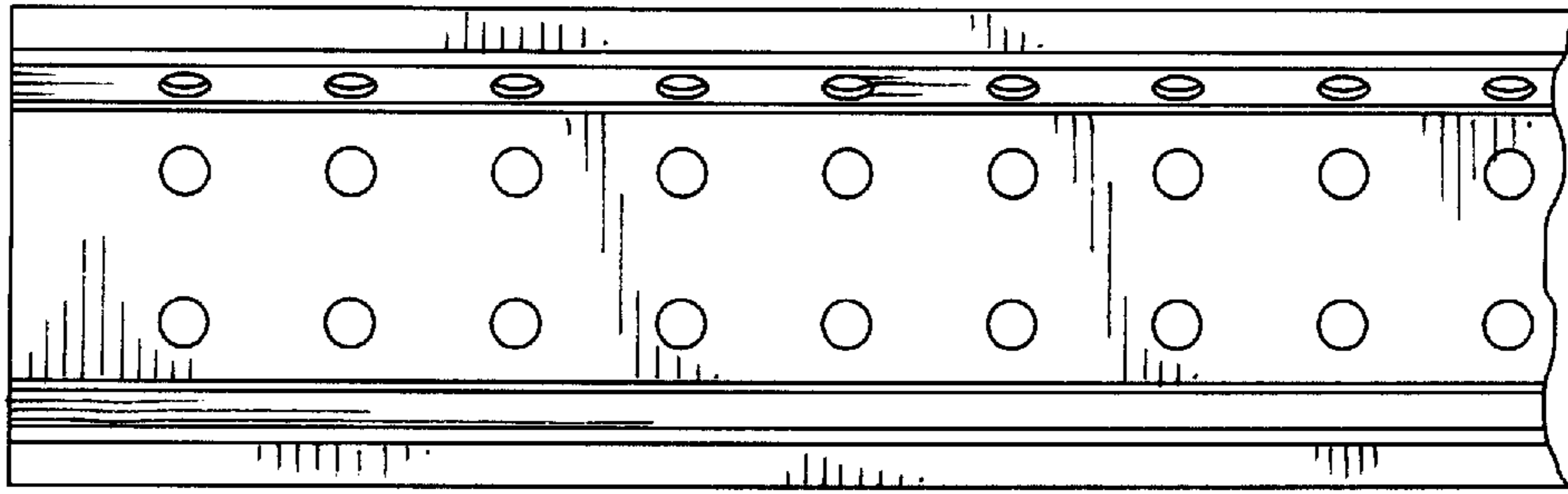


FIG. 3



FIG. 4

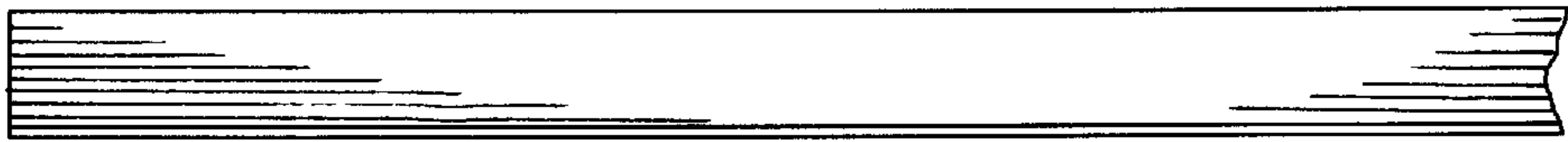


FIG. 5



FIG. 6

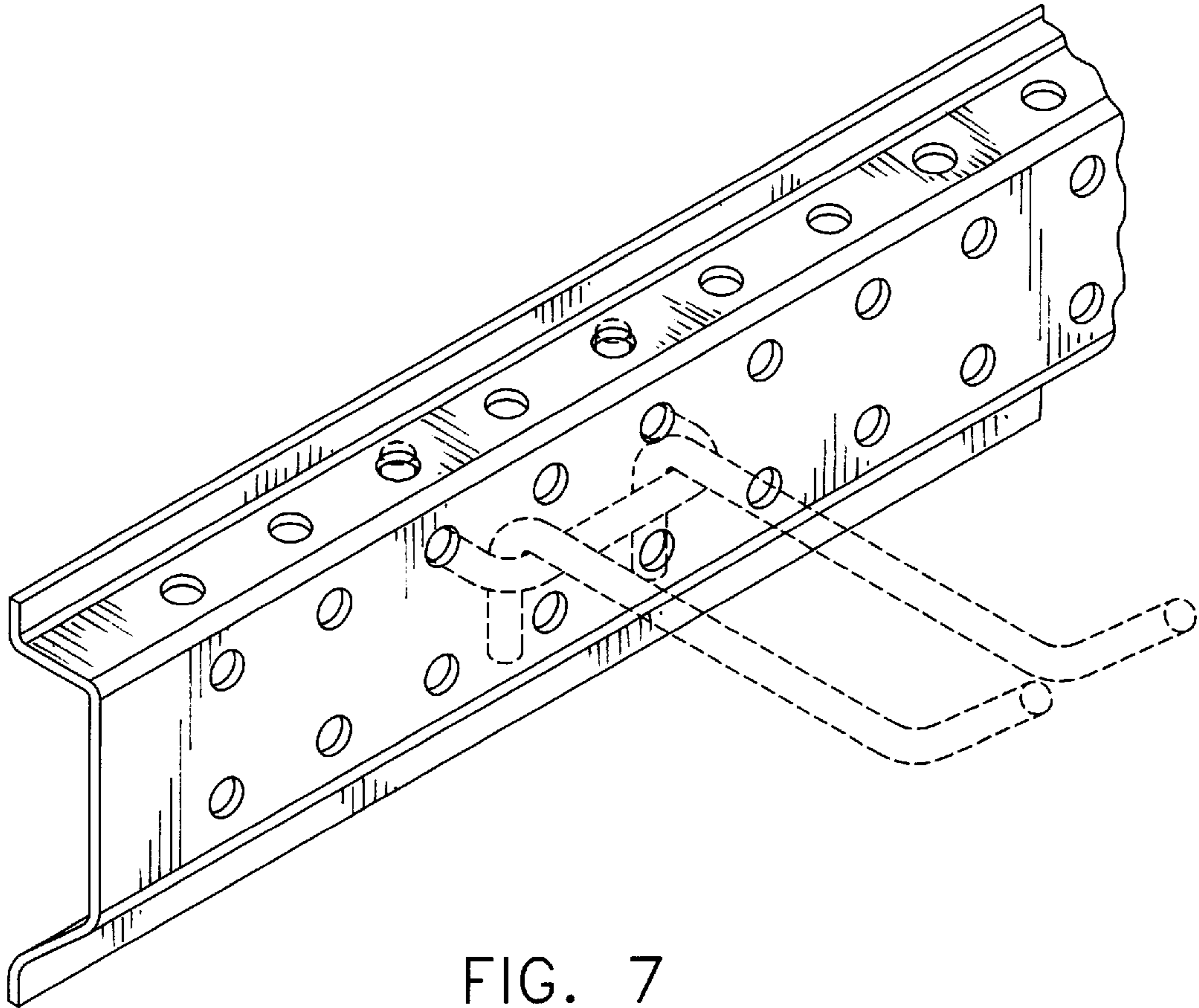


FIG. 7

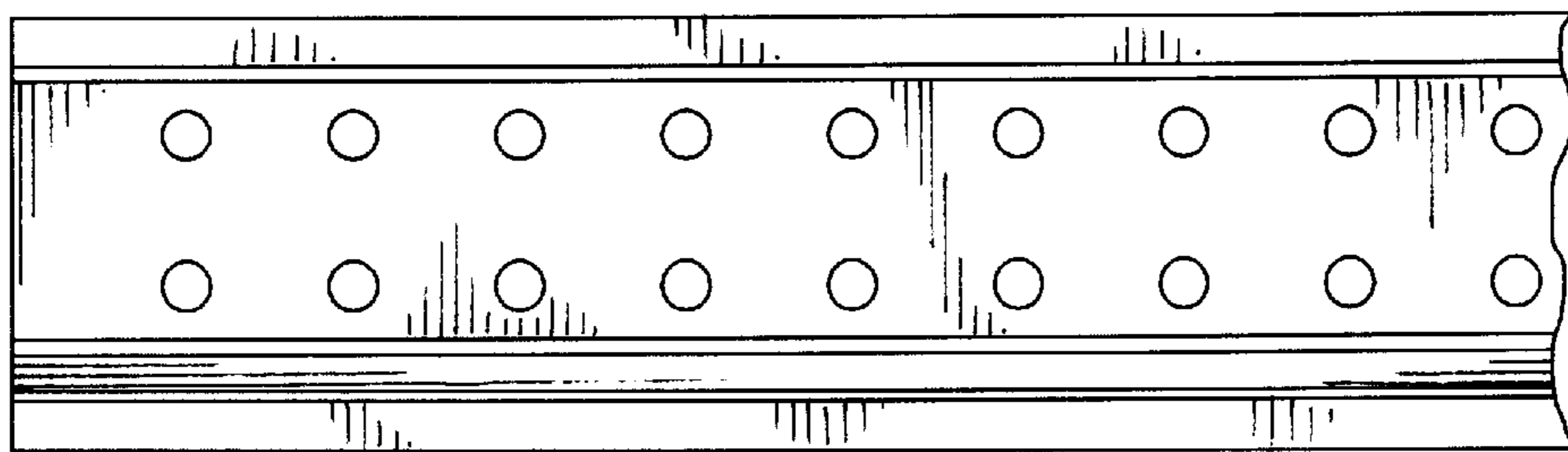


FIG. 8

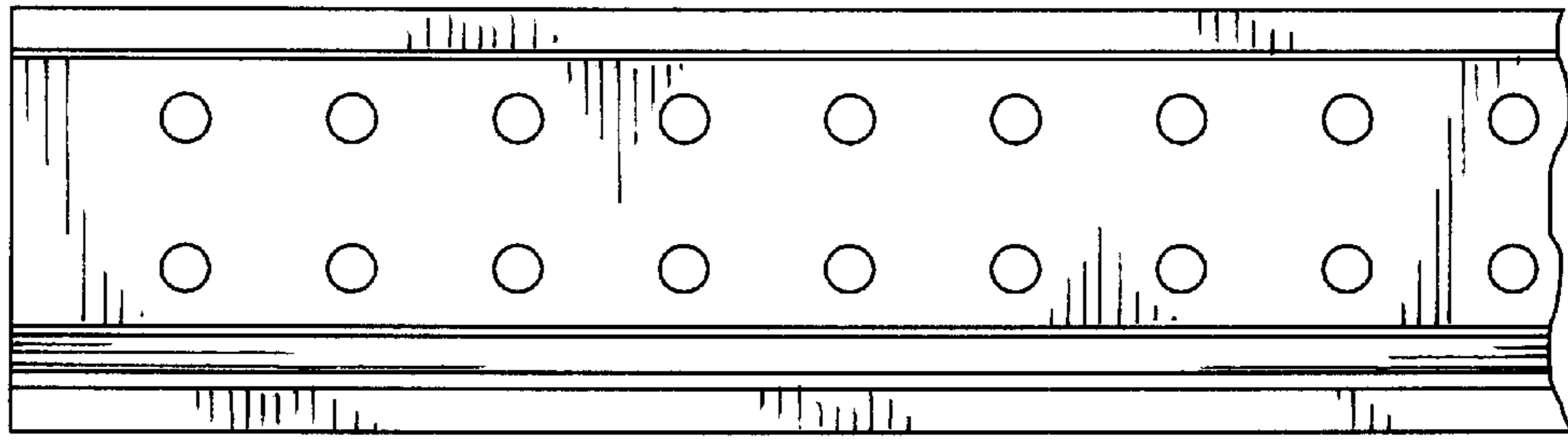


FIG. 9

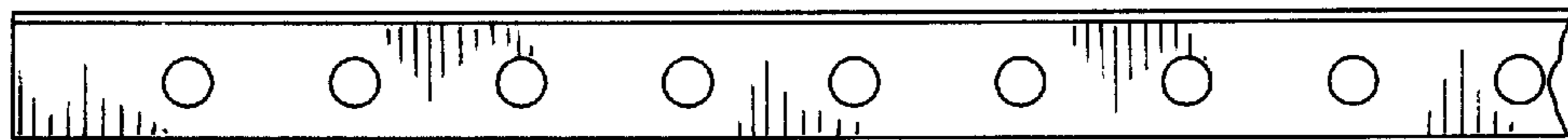


FIG. 10

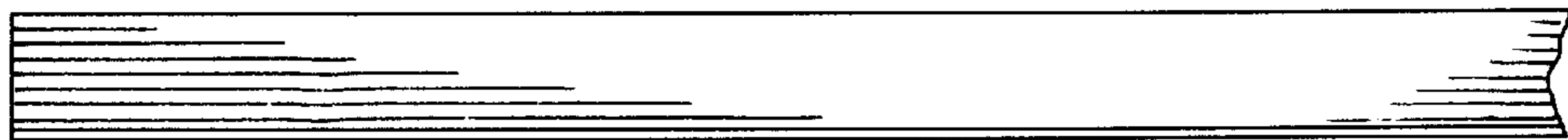


FIG. 11

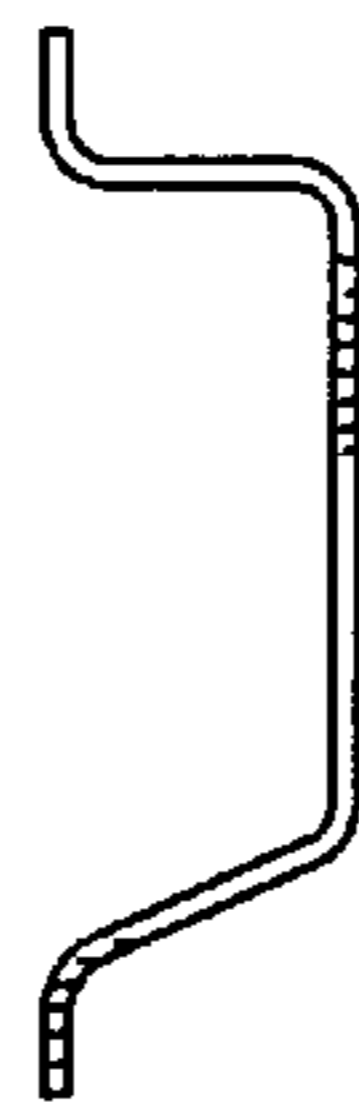


FIG. 12