



US00D438447S

(12) **United States Design Patent** (10) **Patent No.:** **US D438,447 S**
Gartner (45) **Date of Patent:** **** Mar. 6, 2001**

(54) **LOCK KEYPAD**

(75) Inventor: **Klaus W. Gartner**, Torrance, CA (US)

(73) Assignee: **Masco Corporation**, Taylor, MI (US)

(**) Term: **14 Years**

(21) Appl. No.: **29/121,455**

(22) Filed: **Apr. 6, 2000**

(51) **LOC (7) Cl.** **08-07**

(52) **U.S. Cl.** **D8/331**

(58) **Field of Search** D8/343, 331; D14/247;
70/278.1, 278.4, 51, 52, 443, 416, 278.7

(56) **References Cited**

U.S. PATENT DOCUMENTS

D. 272,823	*	2/1984	Fukunaga	D14/247
D. 391,834	*	3/1998	Phillips	D8/343
5,609,051	*	3/1997	Donaldson	70/278.7
5,887,467	*	3/1999	Butterweck et al.	70/278.7
6,016,677	*	1/2000	Clark	70/416

* cited by examiner

Primary Examiner—Susan J. Lucas

Assistant Examiner—Jennifer Rivard

(74) *Attorney, Agent, or Firm*—Edgar A. Zarins; Lloyd D. Doigan

(57) **CLAIM**

The ornamental design for a lock keypad, as shown and described.

DESCRIPTION

FIG. 1 is a perspective view of a lock keypad showing my new design;

FIG. 2 is a right side view thereof, the opposite side being a mirror image of the side shown;

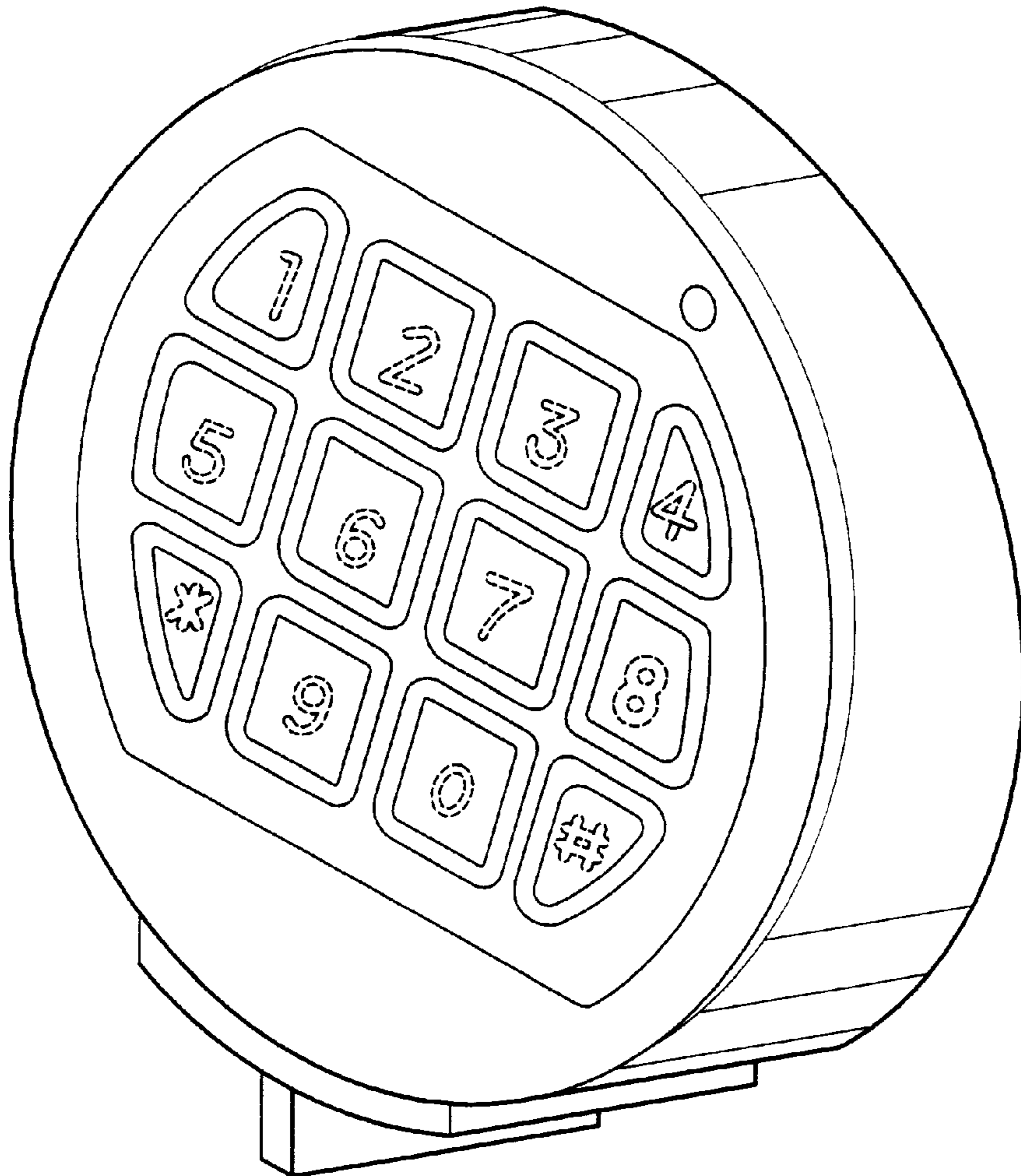
FIG. 3 is a front elevational view thereof;

FIG. 4 is a top plan view thereof; and,

FIG. 5 is a bottom plan view thereof.

The broken lines are shown for illustrative purposes only and form no part of the claimed design.

1 Claim, 2 Drawing Sheets



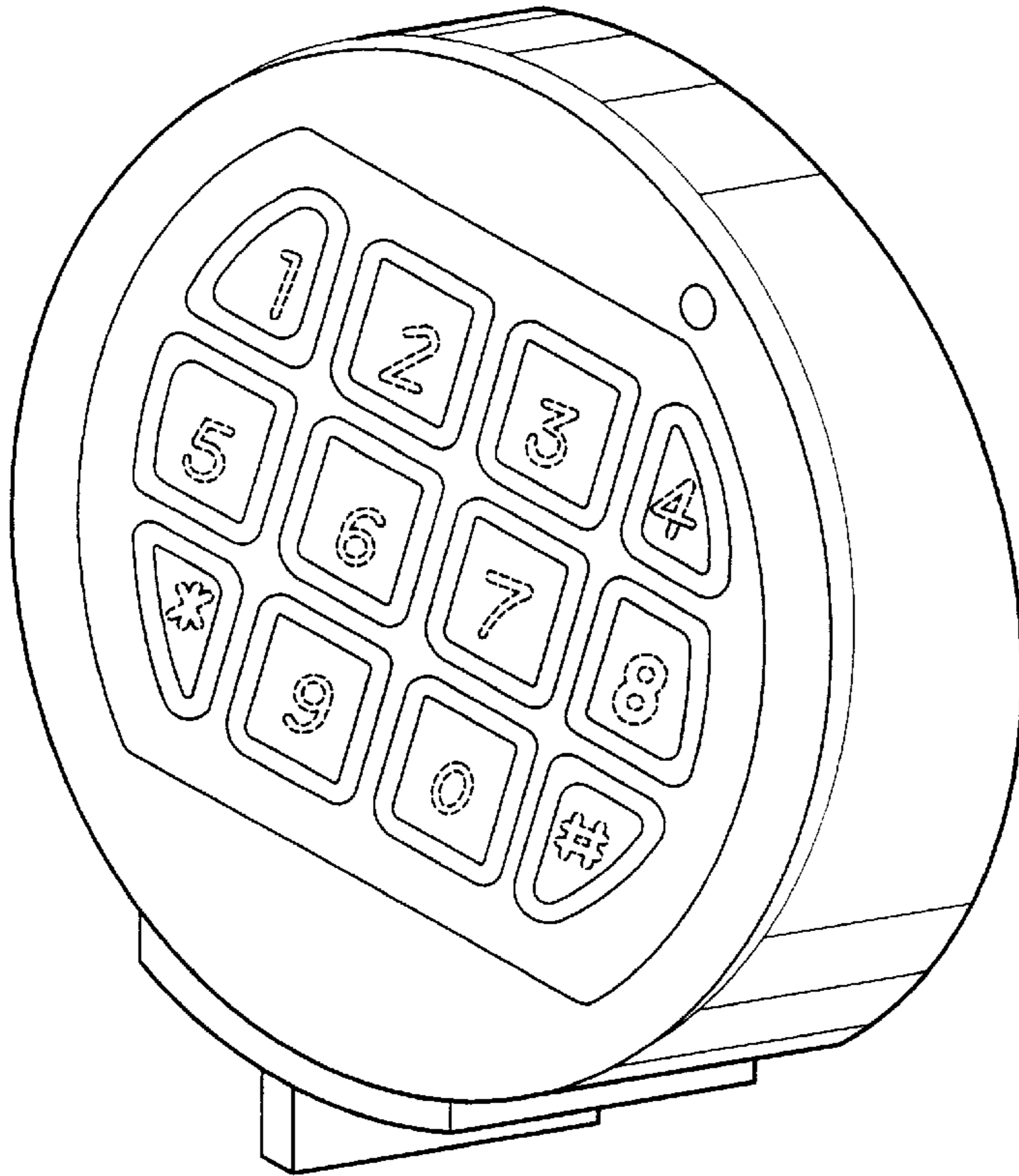


Fig-1

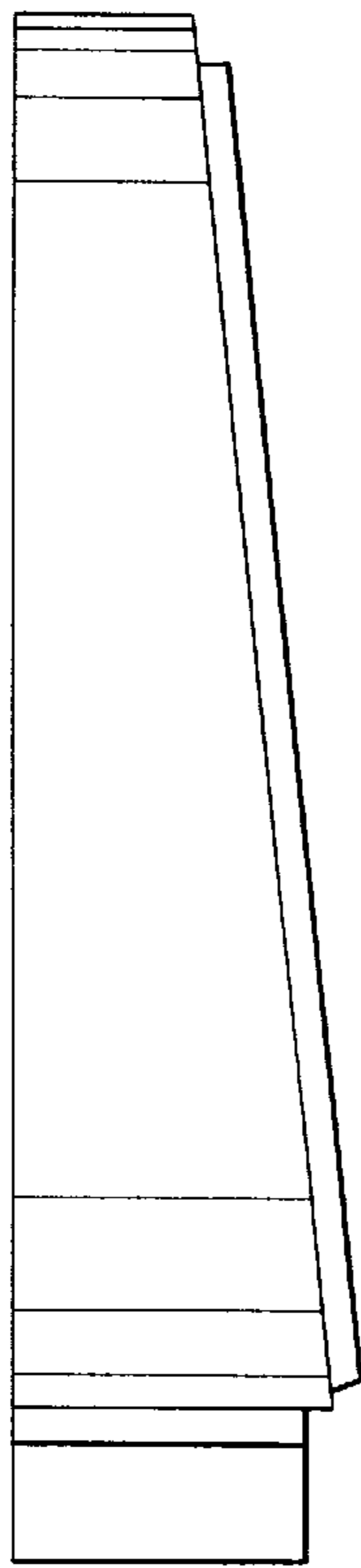


Fig-2

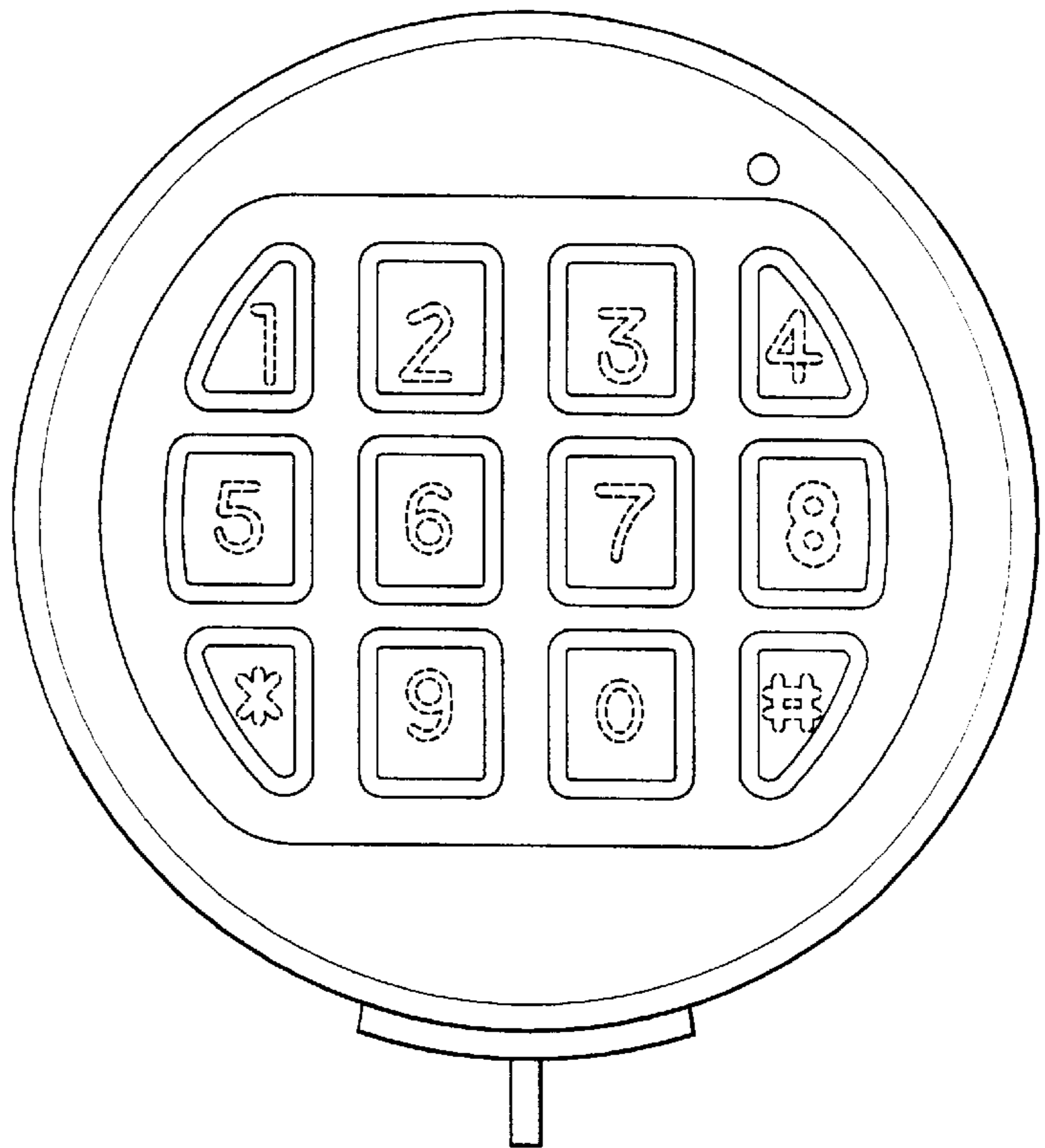


Fig-3

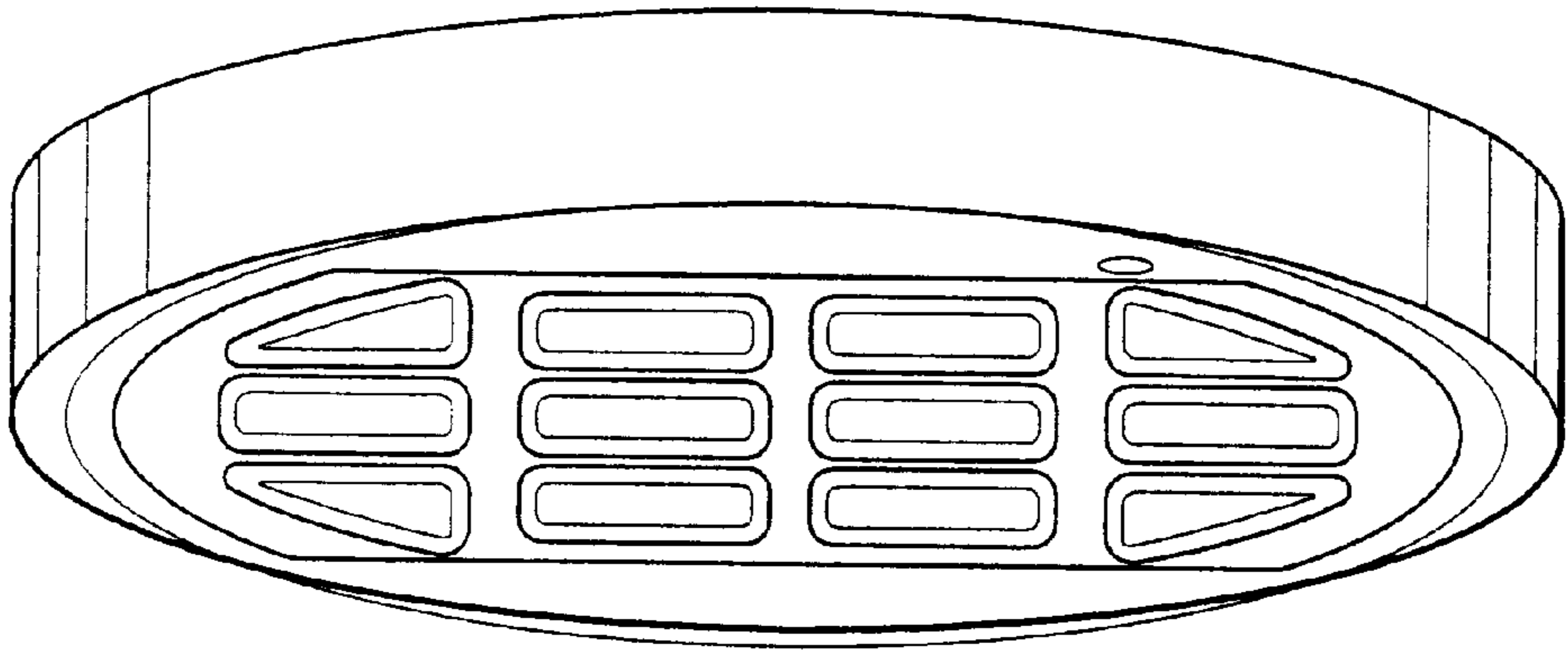


Fig-4

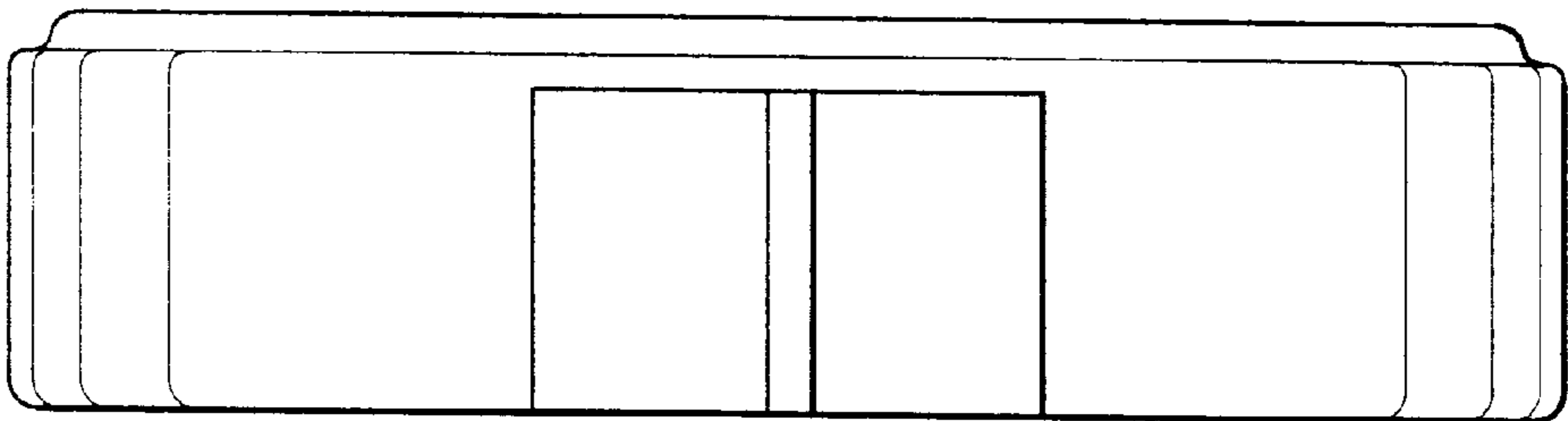


Fig-5