



US00D438444S

(12) **United States Design Patent**  
**Tor**

(10) **Patent No.:** **US D438,444 S**

(45) **Date of Patent:** **\*\* Mar. 6, 2001**

(54) **TWIST ACTIVATED HANDLE FOR A NAIL GUN**

(75) **Inventor:** **Sam Kao Tor**, West Covina, CA (US)

(73) **Assignee:** **Jamerco, Inc.**, City of Industry, CA (US)

(\*\*) **Term:** **14 Years**

(21) **Appl. No.:** **29/121,957**

(22) **Filed:** **Apr. 18, 2000**

(51) **LOC (7) Cl.** ..... **08-05**

(52) **U.S. Cl.** ..... **D8/107**

(58) **Field of Search** ..... D8/14, 51, 75,  
D8/83, 300, 307, 107; 227/113, 147, 156,  
140; 81/44

(56) **References Cited**

**U.S. PATENT DOCUMENTS**

- D. 374,158 \* 10/1996 Harris, Jr. .... D8/51
- D. 378,981 \* 4/1997 Alexander ..... D8/51
- 5,123,584 \* 6/1992 Harrison ..... 227/147

- 5,365,648 \* 11/1994 Fuga ..... 29/254
- 5,605,271 \* 2/1997 Russell ..... 227/147
- 5,875,950 \* 3/1999 Nuss et al. .... 227/113
- 5,921,456 \* 7/1999 Kirsch et al. .... 227/147
- 6,036,073 \* 3/2000 Newhouse ..... 227/147

\* cited by examiner

*Primary Examiner*—Philip S. Hyder

(74) *Attorney, Agent, or Firm*—Edgar W. Averill, Jr.

(57) **CLAIM**

The ornamental design for a twist activated handle for a nail gun, as shown.

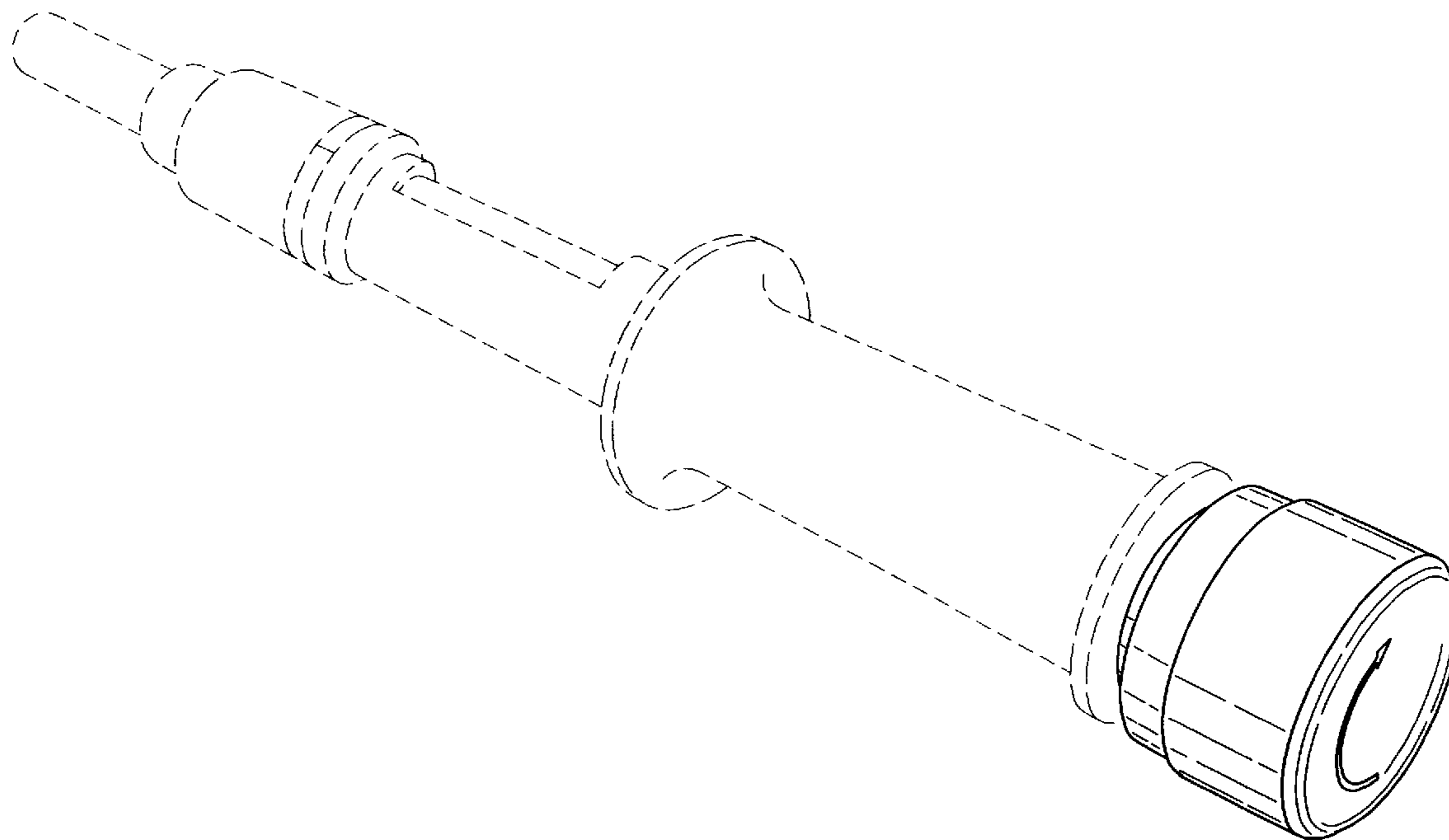
**DESCRIPTION**

FIG. 1 perspective view of the top and left side of a twist activated handle for a nail gun, showing my new design, wherein the broken line showing of the nail gun is for illustrative purposes only and forms no part of the claimed design.

FIG. 2 is a right side view thereof; and,

FIG. 3 is a top view thereof.

**1 Claim, 1 Drawing Sheet**



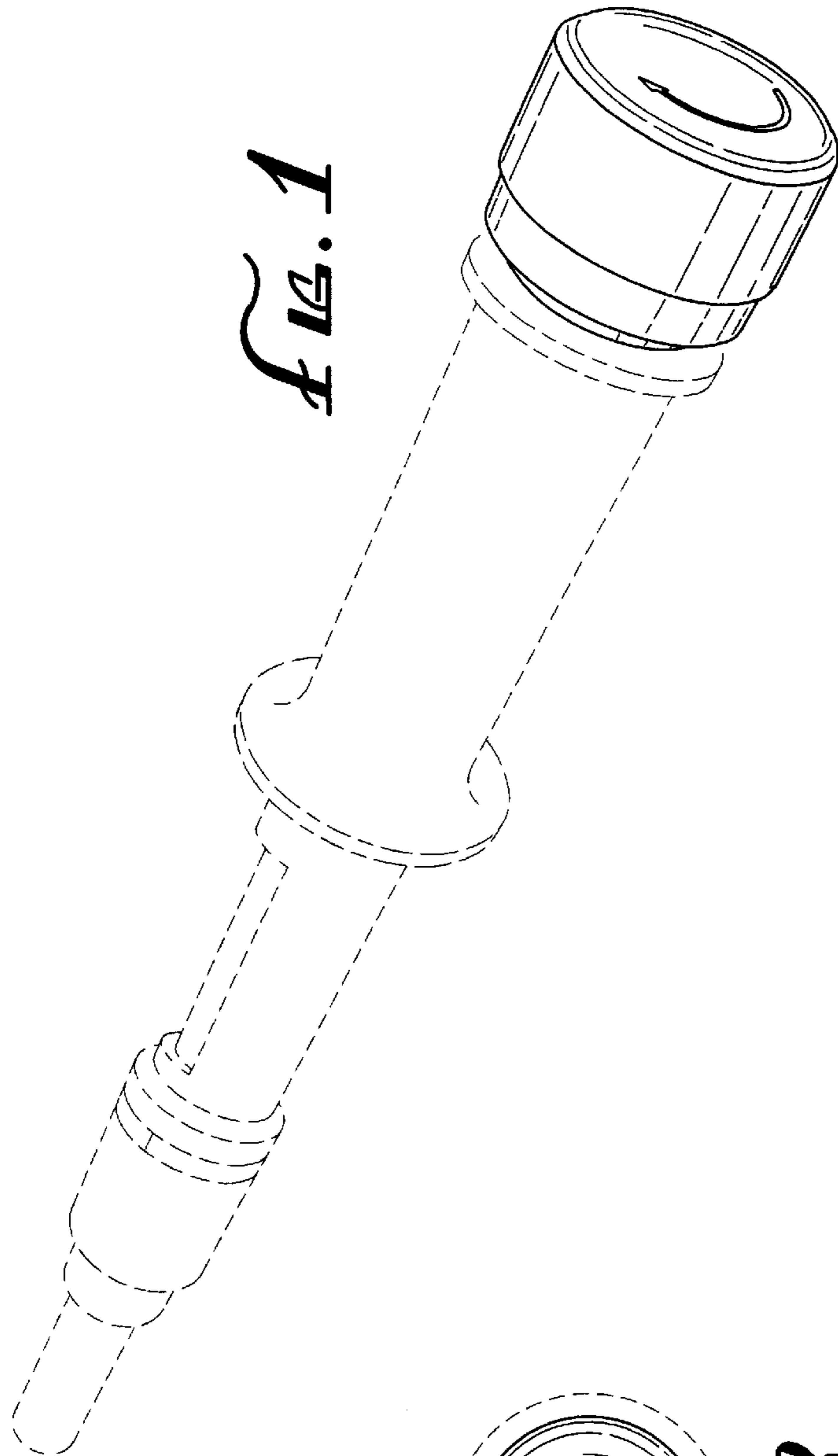


FIG. 1

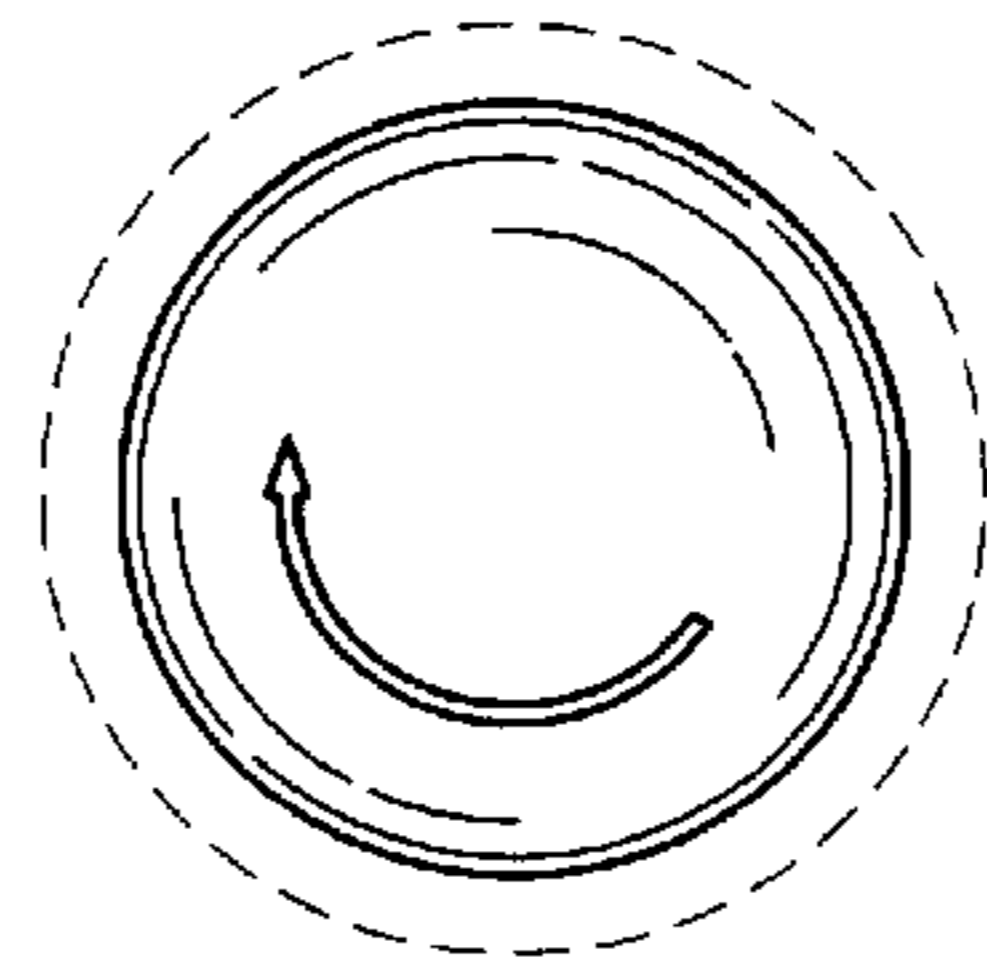


FIG. 2

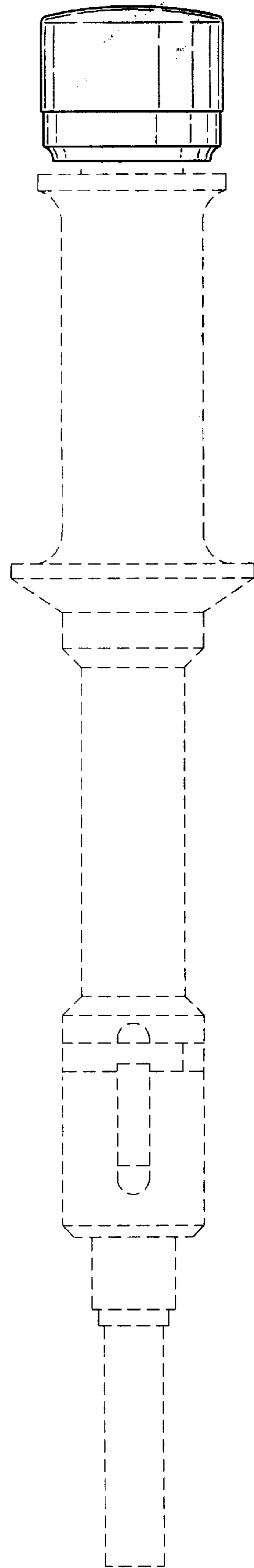


FIG. 3