



US00D438442S

(12) **United States Design Patent**
Osborne

(10) **Patent No.:** **US D438,442 S**

(45) **Date of Patent:** **** Mar. 6, 2001**

- (54) **KNIFE BLADE**
- (75) Inventor: **Warren Osborne**, Waxahachie, TX (US)
- (73) Assignee: **Mentor Group LLC**, West Linn, OR (US)
- (**) Term: **14 Years**
- (21) Appl. No.: **29/127,645**
- (22) Filed: **Aug. 9, 2000**
- (51) **LOC (7) Cl.** **08-03**
- (52) **U.S. Cl.** **D8/98; D8/20; D8/99**
- (58) **Field of Search** D8/98, 99, 100, D8/20; D22/118; 30/151, 152, 153, 154, 155, 156, 157, 158, 159, 160, 161, 162

| | | | | |
|-----------|---------|-----------------|-------|--------|
| 4,451,982 | 6/1984 | Collins | | 30/161 |
| 5,060,379 | 10/1991 | Neely | | 30/161 |
| 5,400,509 | 3/1995 | Collins | | 30/161 |
| 5,461,786 | 10/1995 | Miller | | 30/161 |
| 5,495,673 | 3/1996 | Gardiner et al. | | 30/155 |

OTHER PUBLICATIONS

Tactical Knives magazine, Jan. 1998, p. 45 (Outdoor Edge and Emerson Knives, Inc. ads) and p. 57 (Elishewitz ad).
 Japanese Knife magazine, circa 1996.
 Survival Knives and Survival, Second Edition, 1985, pp. 3, 4.
 A.G. Russel Knife Catalog, 1996, pp. 12, 24, 28 and 29, S.O.G., Gerber and Benchmade knives.
 Benchmade Knife Company 1996–1997 Catalog with Benchmade Automatic Knives insert.
 Brigade Quartermasters Catalog, pp. 59 and 61, Benchmade and Spyderco Knives, 1996.
 Elishewitz ad from Blade magazine, 1992.

* cited by examiner

Primary Examiner—Philip S. Hyder
 (74) *Attorney, Agent, or Firm*—Ipsolon LLP

(56) **References Cited**

U.S. PATENT DOCUMENTS

| | | | | |
|--------------|---------|-----------------|-------|---------|
| D. 224,389 | 7/1972 | Wood | | D8/99 |
| D. 303,210 | 9/1989 | Thompson | | D8/99 |
| D. 333,251 | 2/1993 | Glesser | | D8/99 |
| D. 333,859 | 3/1993 | Meyer | | D22/118 |
| D. 366,408 | 1/1996 | Sessions et al. | | D8/99 |
| D. 367,599 | 3/1996 | Sakai | | D8/99 |
| D. 377,443 | 1/1997 | Seber et al. | | D8/107 |
| D. 379,294 * | 5/1997 | Lum | | D8/99 |
| D. 382,189 | 8/1997 | Viele | | D8/99 |
| D. 384,871 | 10/1997 | McWillis | | D8/99 |
| D. 385,173 | 10/1997 | McWillis | | D8/99 |
| D. 404,633 | 1/1999 | Rivera | | D8/99 |
| D. 407,002 * | 3/1999 | Morton et al. | | D8/99 |
| D. 408,257 | 4/1999 | Elishewitz | | D8/99 |
| D. 408,705 | 4/1999 | Elishewitz | | D8/99 |
| D. 409,070 | 5/1999 | Elishewitz | | D8/98 |
| D. 411,790 * | 7/1999 | Glesser | | D8/99 |
| D. 422,476 * | 4/2000 | McHenry et al. | | D8/99 |
| D. 426,132 * | 6/2000 | Pardue | | D8/98 |
| 2,304,601 | 12/1942 | Schrade | . | |
| 4,240,201 | 12/1980 | Sawby et al. | | 30/161 |
| 4,274,200 | 6/1981 | Coder | | 30/161 |

(57) **CLAIM**

The ornamental design for a knife blade, as shown and described.

DESCRIPTION

FIG. 1 is a right side elevational view of a knife blade, showing my new design, the left side elevational view being a mirror image thereof;
 FIG. 2 is a bottom plan view showing the bottom edge thereof;
 FIG. 3 is a top plan view showing the top edge thereof;
 FIG. 4 is an end view showing the tang end thereof;
 FIG. 5 is an end view showing the point end thereof; and,
 FIG. 6 is a top perspective view thereof.
 The broken lines shown in the Figures are for illustrative purposes only and form no part of the claimed design.

1 Claim, 2 Drawing Sheets

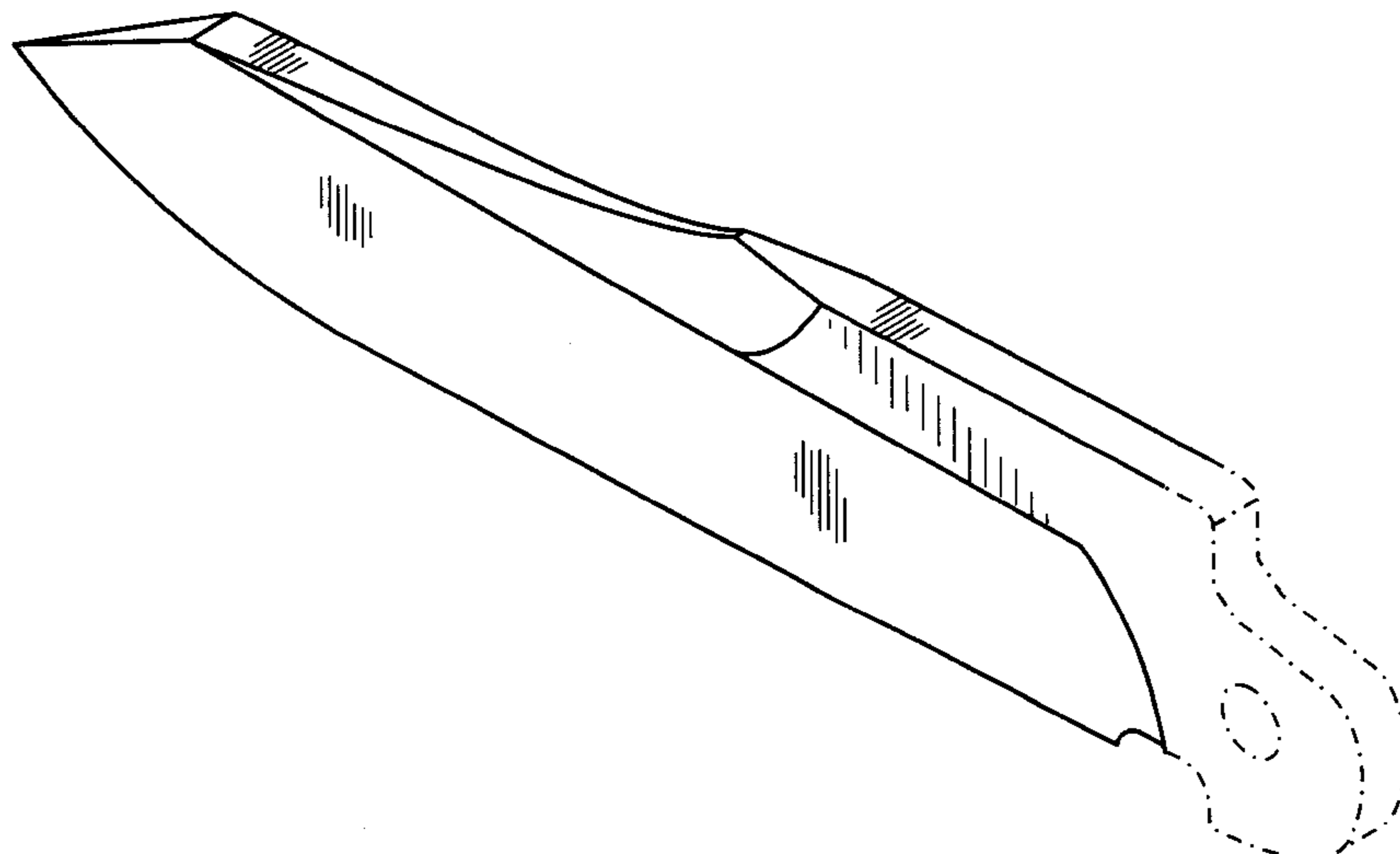


Fig. 1

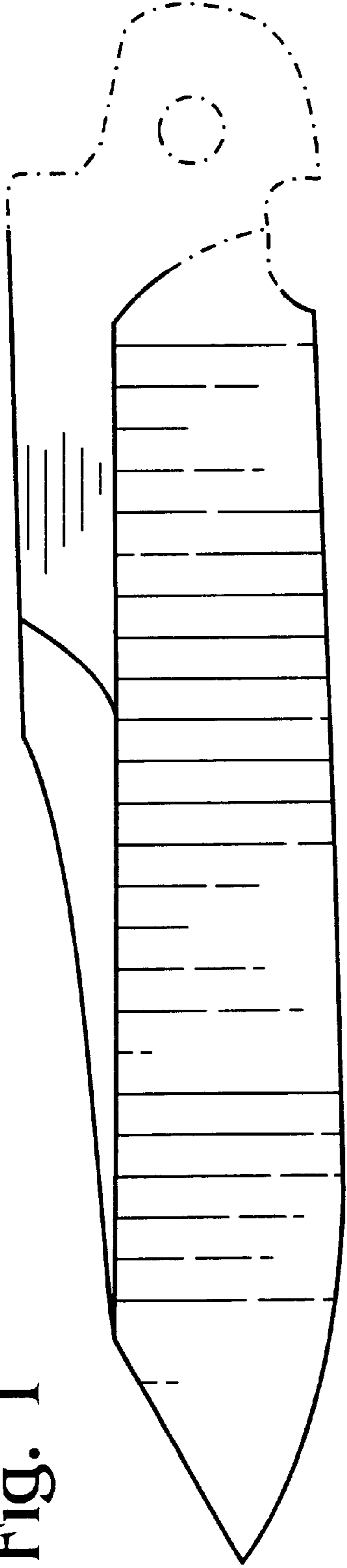


Fig. 2



Fig. 3



Fig. 4

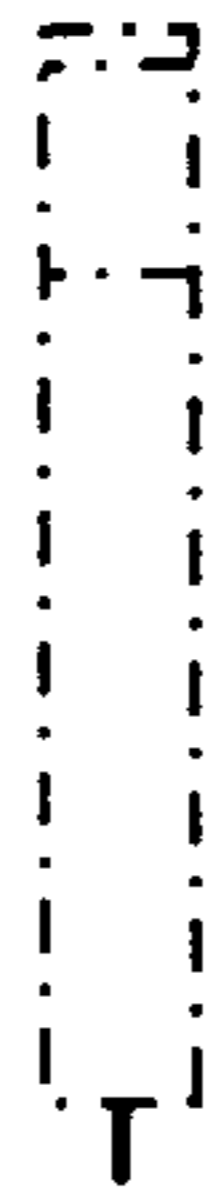


Fig. 5



Fig. 6

