



US00D438441S

(12) **United States Design Patent**
Nagai et al.

(10) **Patent No.:** **US D438,441 S**

(45) **Date of Patent:** **** Mar. 6, 2001**

(54) **ELECTRIC CLAMPING DEVICE**
(75) Inventors: **Shigekazu Nagai**, Tokyo; **Akio Saitoh**,
Kawaguchi; **Hiroshi Yumiba**,
Ibaraki-ken, all of (JP)

5,118,088 * 6/1992 Sawdon 269/32
5,253,554 * 10/1993 Riera et al. 81/9.3
5,628,235 * 5/1997 Kambara 81/90.2
5,938,259 * 8/1999 Sawdon et al. 294/116
6,115,898 * 9/2000 Sawdon 269/32

(73) Assignee: **SMC Kabushiki Kaisha**, Tokyo (JP)
(**) Term: **14 Years**

* cited by examiner

Primary Examiner—Philip S. Hyder
(74) *Attorney, Agent, or Firm*—Frishauf, Holtz, Goodman,
Langer & Chick, P.C.

(21) Appl. No.: **29/121,686**
(22) Filed: **Apr. 12, 2000**

(57) **CLAIM**

The ornamental design for an electric clamping device, as shown.

(30) **Foreign Application Priority Data**
Oct. 18, 1999 (JP) 11-28532
(51) **LOC (7) Cl.** **08-05**
(52) **U.S. Cl.** **D8/72; D8/61**
(58) **Field of Search** D8/61, 71, 72,
D8/73, 74; 269/31, 32, 33, 34, 237, 239,
233; 81/9.3, 345

DESCRIPTION

FIG. 1 is a top, front and left-side perspective view of a electric clamping device showing our new design;
FIG. 2 is a front view thereof, the rear view being a mirror image;
FIG. 3 is a right side view thereof;
FIG. 4 is a left side view thereof;
FIG. 5 is a top plan view thereof; and,
FIG. 6 is a bottom plan view thereof.

(56) **References Cited**
U.S. PATENT DOCUMENTS
3,737,157 * 6/1973 Kiwalle 269/31

1 Claim, 3 Drawing Sheets

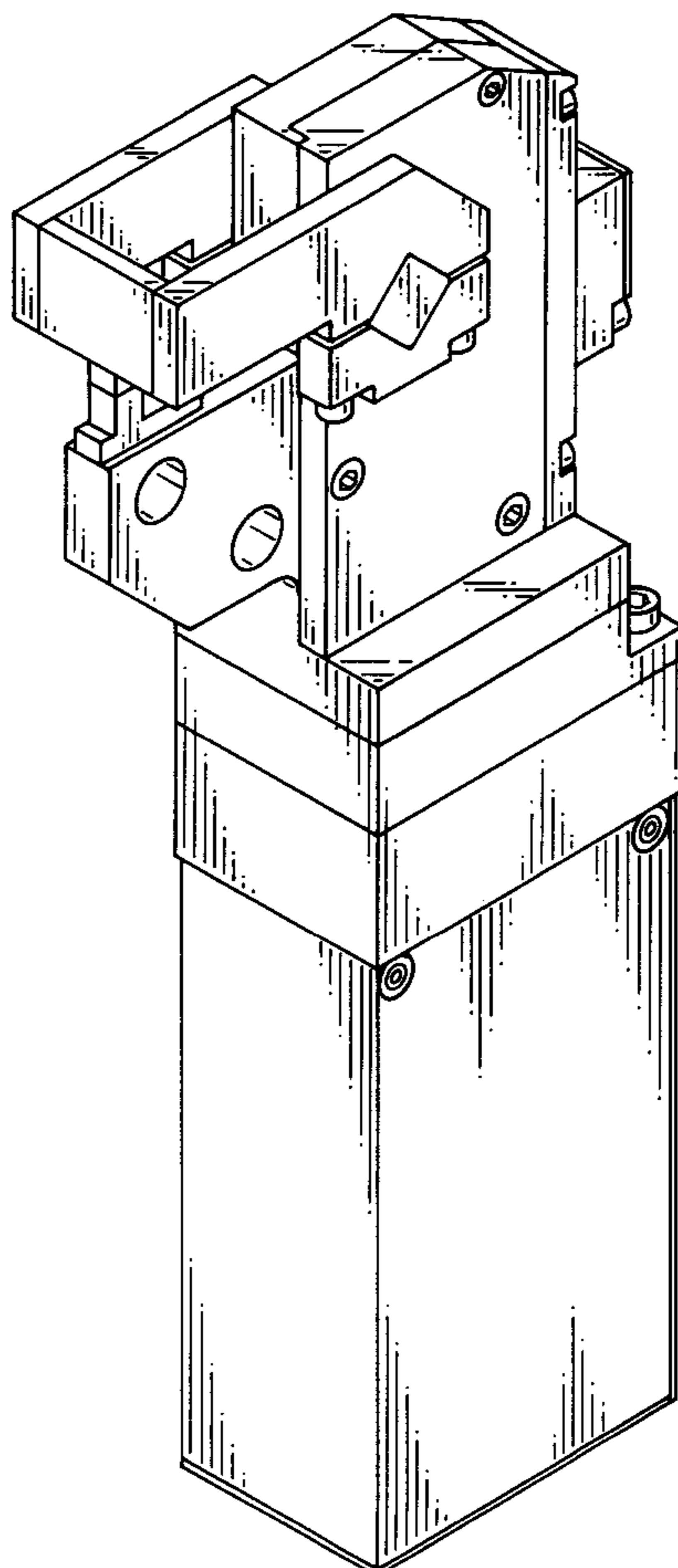


FIG. 1

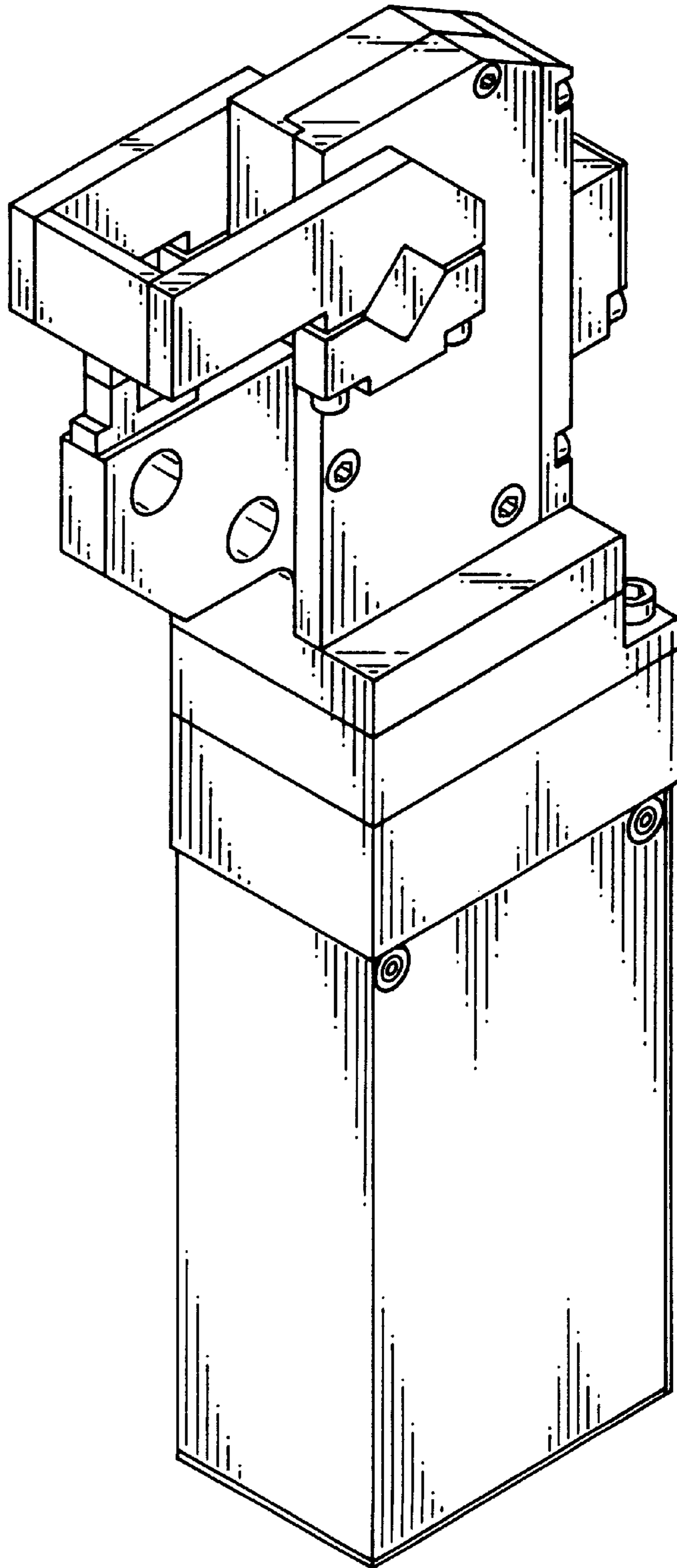


FIG. 2

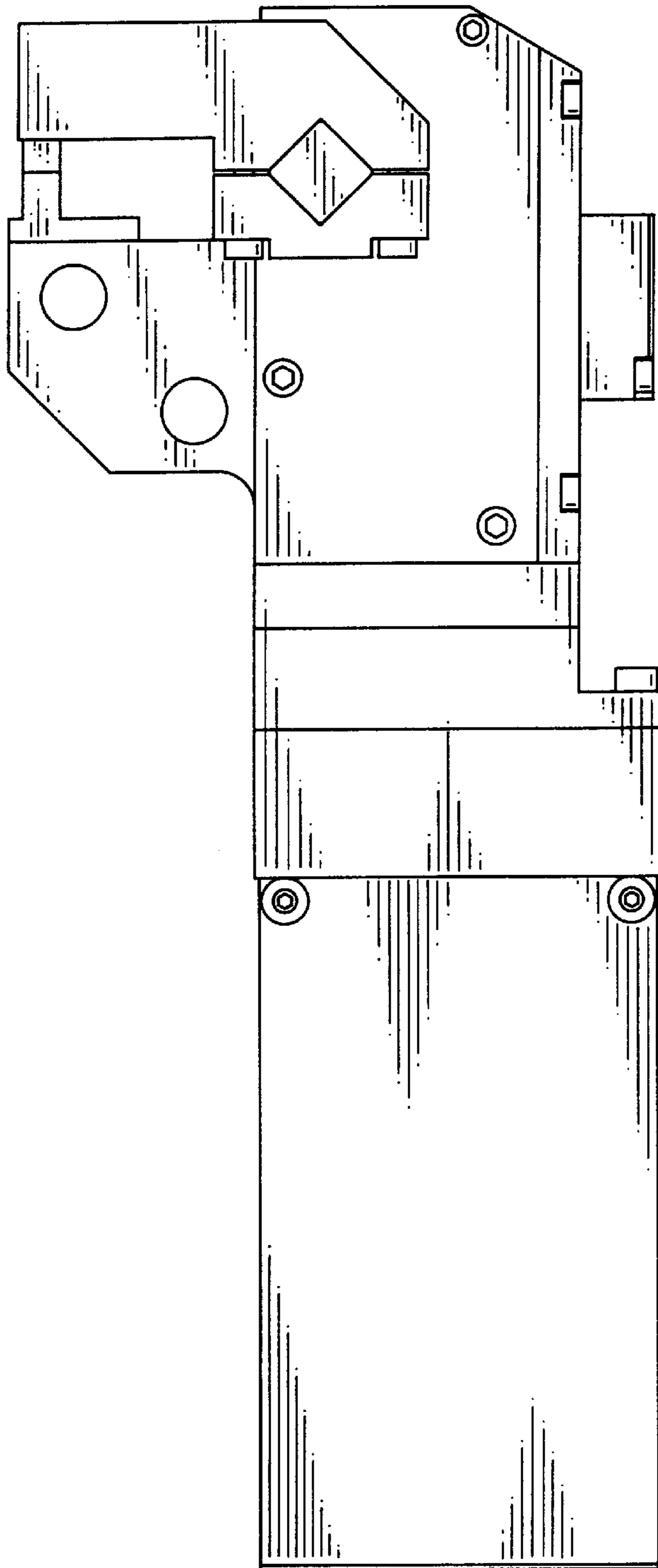


FIG. 3

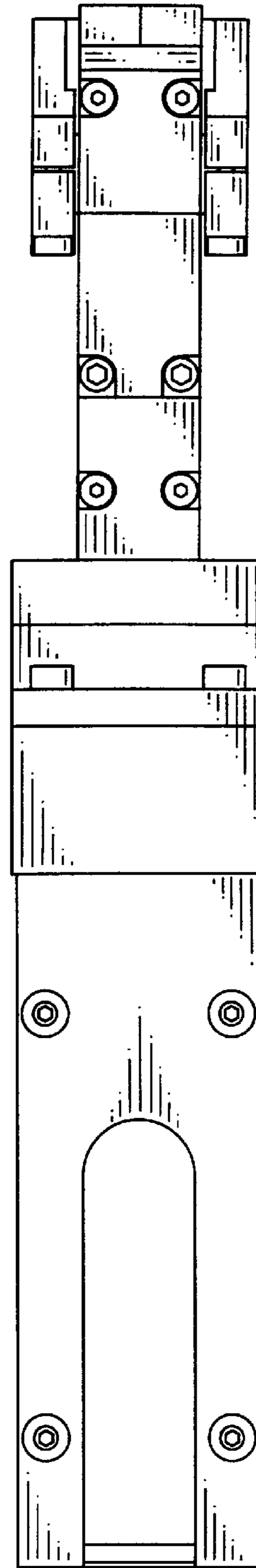


FIG. 4

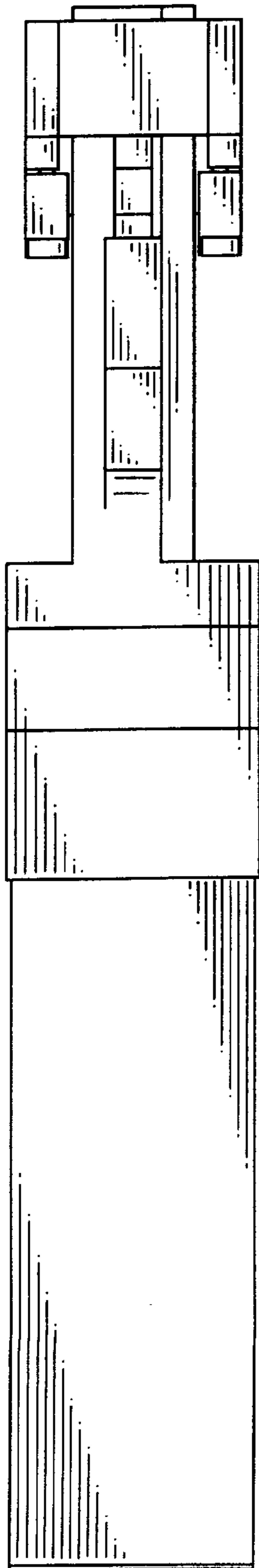


FIG. 5

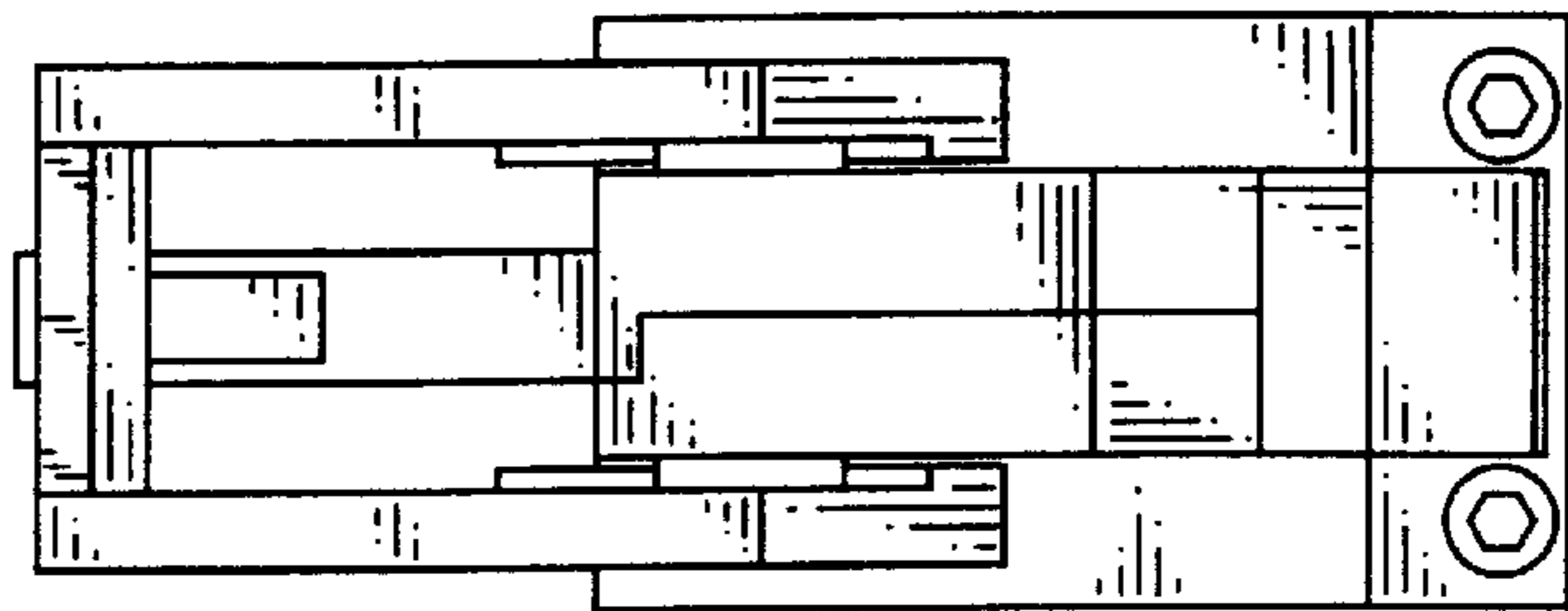


FIG. 6

