



US00D438435S

(12) **United States Design Patent**
Whyte

(10) **Patent No.:** **US D438,435 S**

(45) **Date of Patent:** **** Mar. 6, 2001**

(54) **STAKE**

(76) Inventor: **Robert B. Whyte**, 1829 Arden Way,
Jacksonville Beach, FL (US) 32250

(**) Term: **14 Years**

(21) Appl. No.: **29/098,034**

(22) Filed: **Dec. 21, 1998**

(51) **LOC (7) Cl.** **08-01**

(52) **U.S. Cl.** **D8/1**

(58) **Field of Search** D8/1; 47/47, 43;
D21/840; D26/138; 135/118

(56) **References Cited**

U.S. PATENT DOCUMENTS

D. 208,013	*	6/1967	Carr-Harris	D21/840
D. 218,582	*	9/1970	Kiester	D21/840
484,998	*	10/1892	Comstock	D21/840 X
4,870,781	*	10/1989	Jones	47/43
5,608,994	*	3/1997	Carter	135/118

* cited by examiner

Primary Examiner—Holly Baynham

(74) *Attorney, Agent, or Firm*—Arthur G. Yeager

(57) **CLAIM**

The ornamental design of a stake, as shown and described.

DESCRIPTION

FIG. 1 is a right side elevational view of an embodiment of a stake according to my new design, the left side being the mirror image thereof;

FIG. 2 is a rear elevational view thereof;

FIG. 3 is a front elevational view thereof;

FIG. 4 is a top plan view thereof;

FIG. 5 is a bottom plan view thereof;

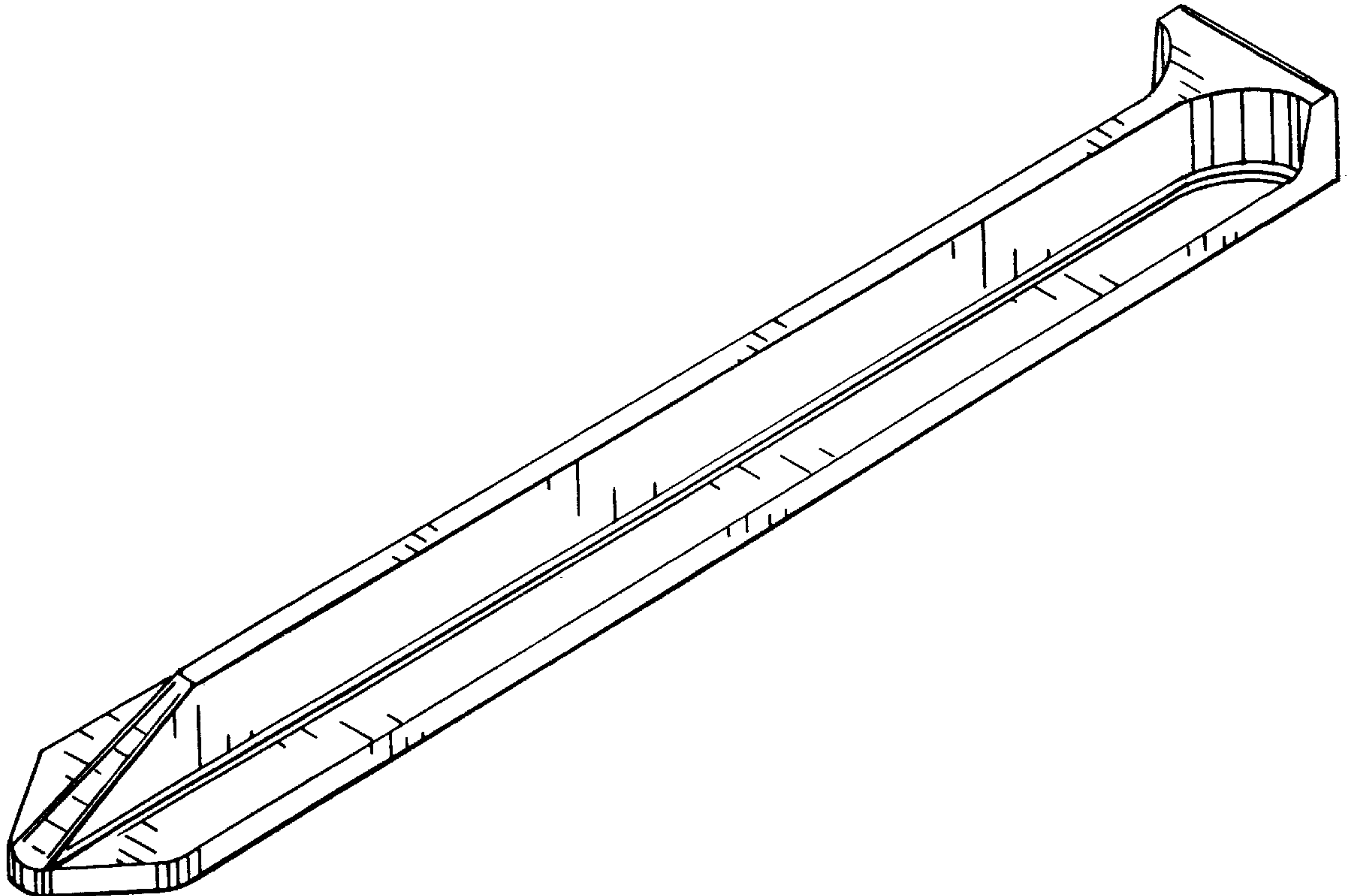
FIG. 6 is a rear perspective view thereof; and,

FIG. 7 is a partial front elevational view of another embodiment of a stake according to my new design, the other views of this embodiment being identical to FIGS. 1, 2 and 4–6 except of indeterminate length.

The diagonal lines and spaced horizontal lines are indicative of small ridges as shown in FIGS. 1, 4 and 5.

The stake shown in the second embodiment is shown broken away to indicate indeterminate length.

1 Claim, 2 Drawing Sheets



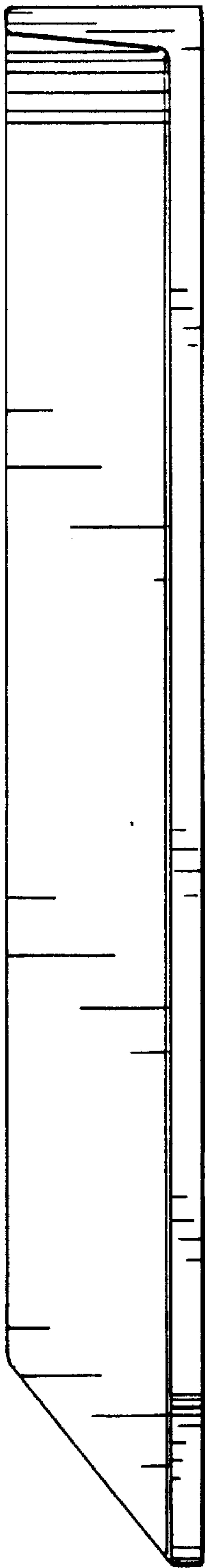


FIG. 1

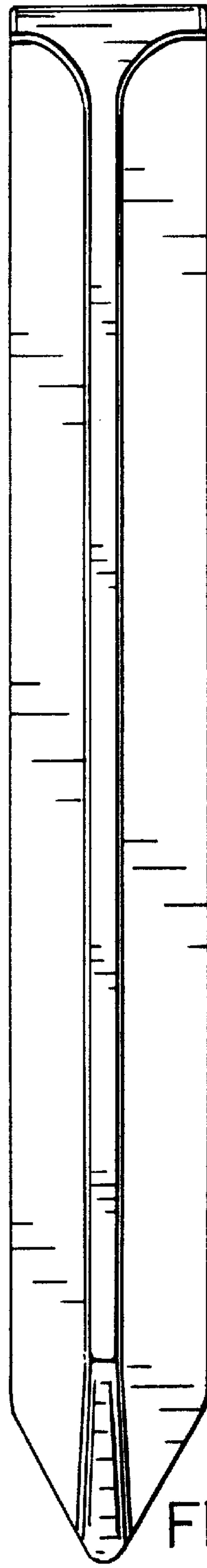


FIG. 2

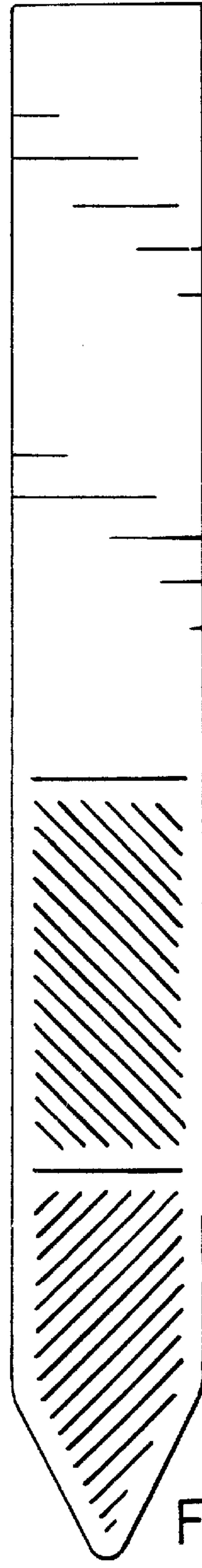
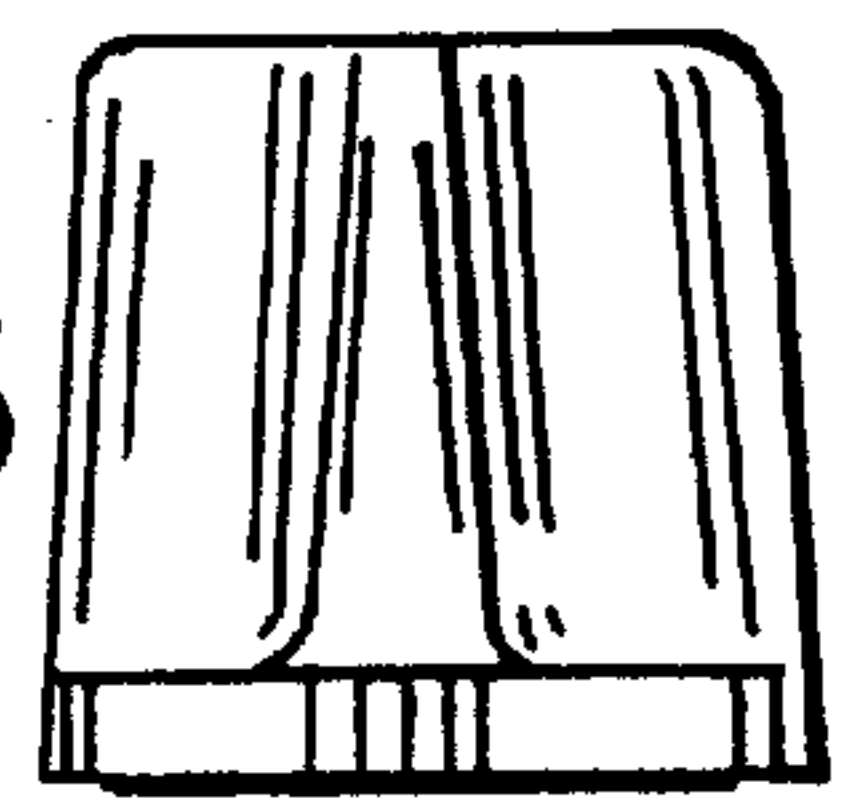


FIG. 3

FIG. 4



FIG. 5



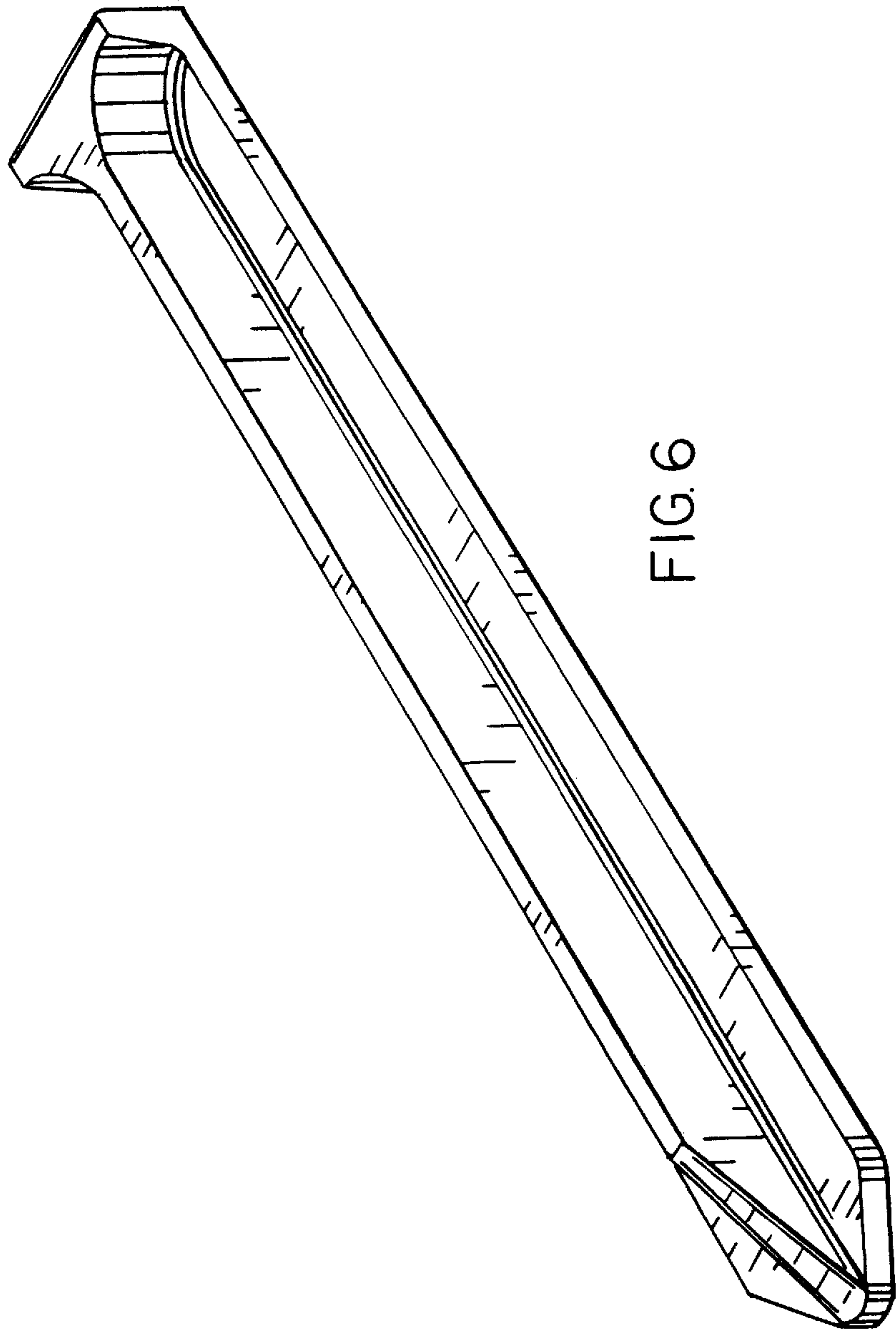


FIG. 6

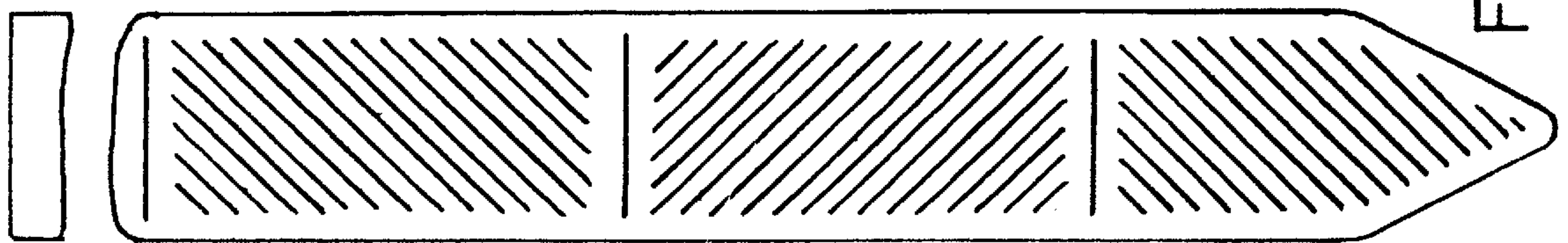


FIG. 7