



US00D438422S

(12) **United States Design Patent**  
**Choi**

(10) **Patent No.:** **US D438,422 S**

(45) **Date of Patent:** **\*\* Mar. 6, 2001**

(54) **WOK**

(75) **Inventor:** **Lung Wai Choi, Kowloon (HK)**

(73) **Assignee:** **Goodway Electrical Co. Ltd.,  
Kowloon (HK)**

(\*\*) **Term:** **14 Years**

(21) **Appl. No.:** **29/119,877**

(22) **Filed:** **Mar. 7, 2000**

(30) **Foreign Application Priority Data**

Sep. 8, 1999 (GB) ..... 2086473

(51) **LOC (7) Cl.** ..... **07-02**

(52) **U.S. Cl.** ..... **D7/360; D7/355**

(58) **Field of Search** ..... **D7/323, 354-361;  
219/620-622; 99/324, 325, 339**

(56) **References Cited**

**U.S. PATENT DOCUMENTS**

- D. 42,341 \* 3/1912 Swan ..... D7/360
- D. 47,384 \* 5/1915 Kuhn et al. .... D7/360
- D. 268,471 \* 4/1983 Gremonprez ..... D7/355
- D. 269,319 \* 6/1983 Fox ..... D7/360

- D. 276,493 \* 11/1984 Cesaroni ..... D7/355
- D. 276,689 \* 12/1984 Spoeth, Jr. .... D7/355
- D. 278,403 \* 4/1985 Cesaroni ..... D7/360
- D. 369,272 \* 4/1996 Mendelson et al. .... D7/360

\* cited by examiner

*Primary Examiner*—Caron D. Veynar

(74) *Attorney, Agent, or Firm*—Christensen O'Connor Johnson Kindness PLLC

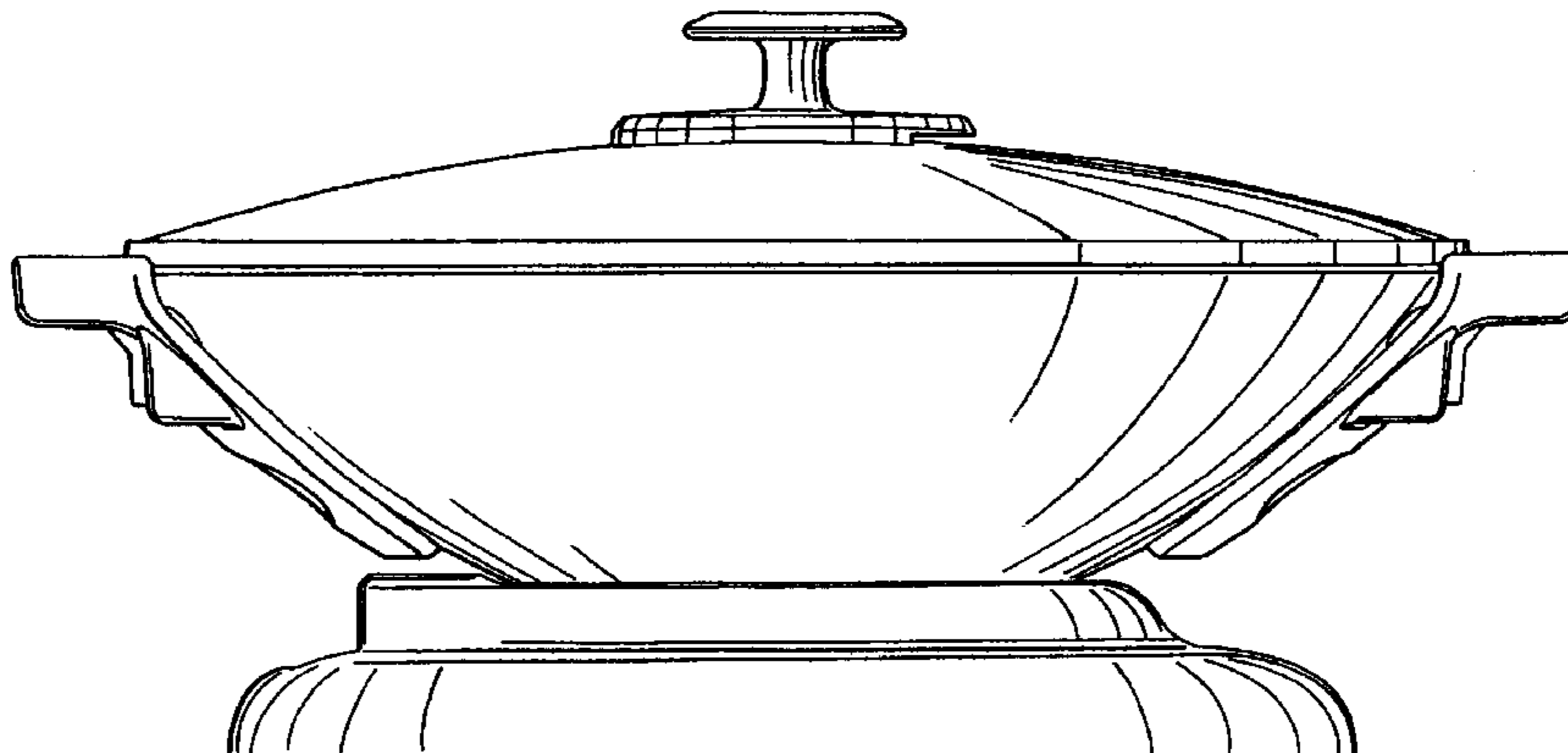
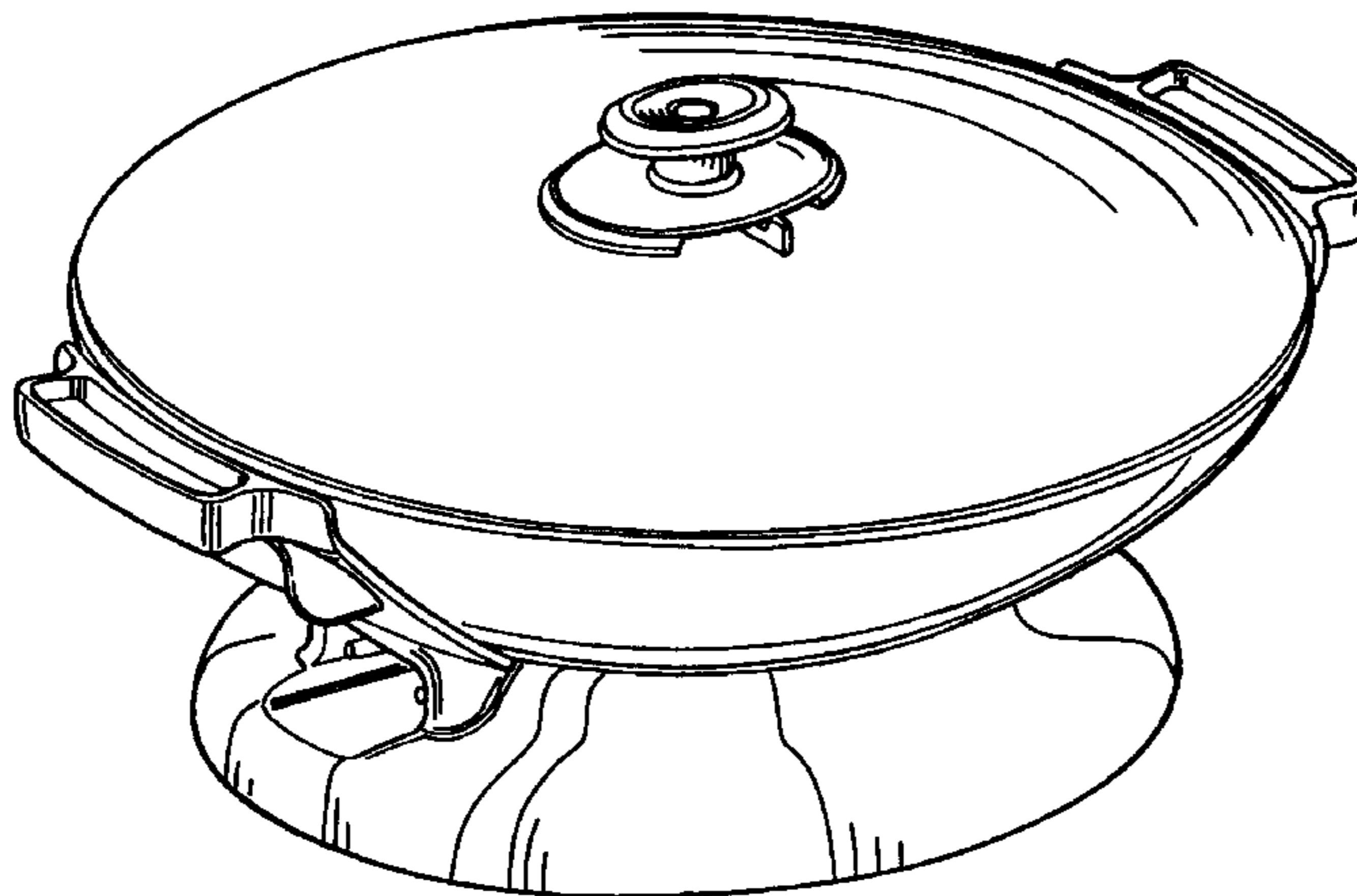
(57) **CLAIM**

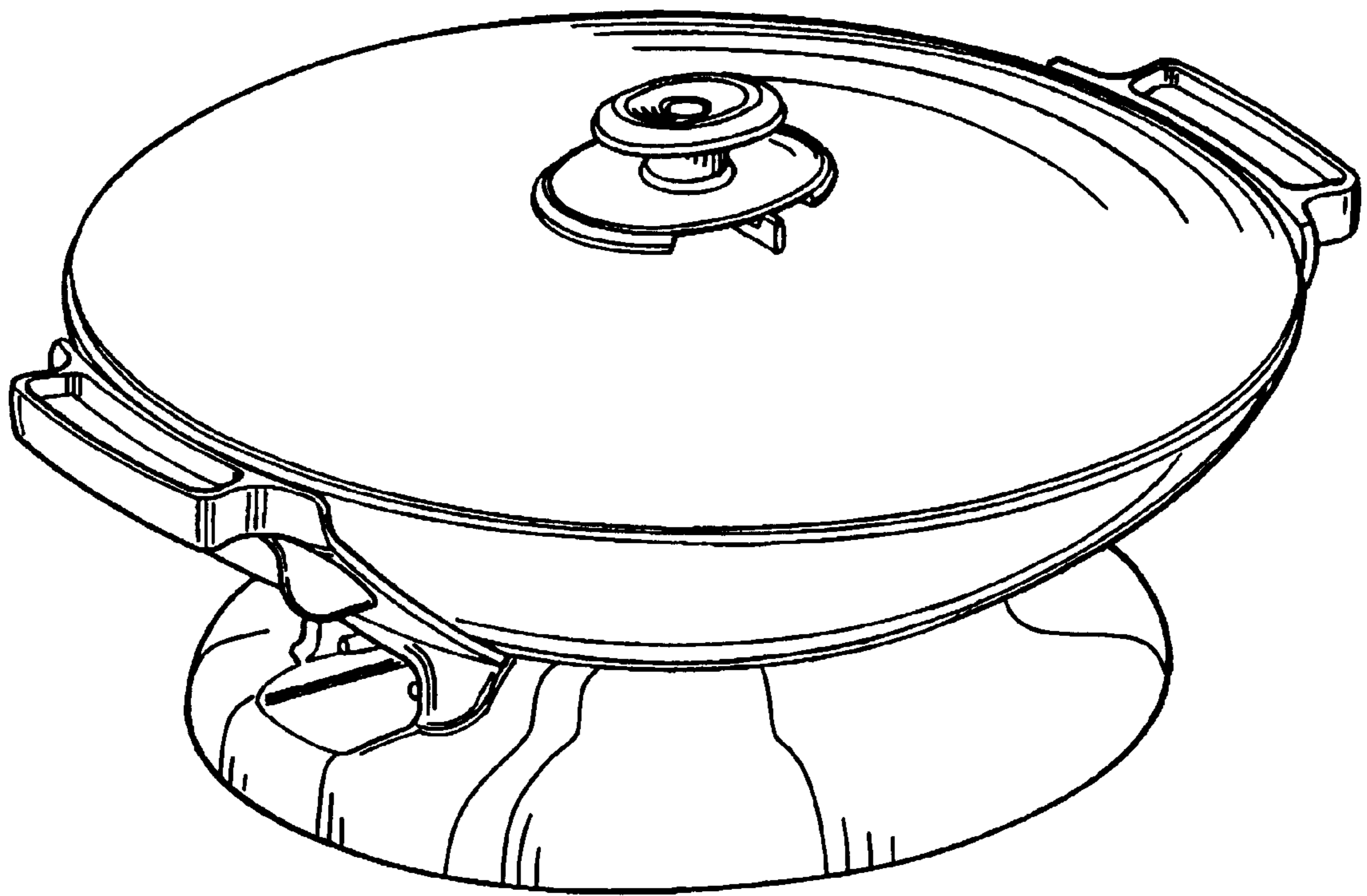
The ornamental design for a wok, as shown and described.

**DESCRIPTION**

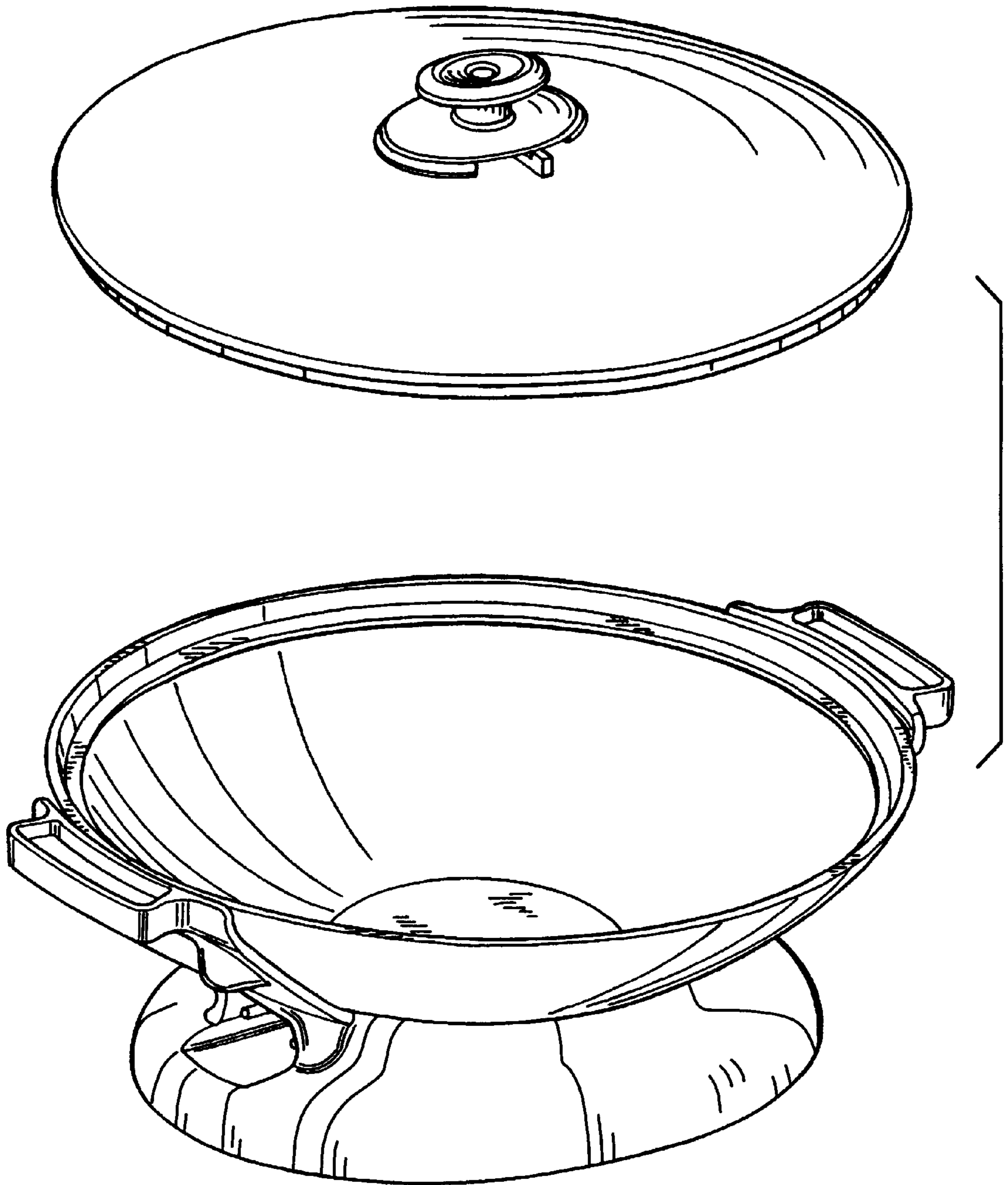
FIG. 1 is a perspective view of my new wok;  
 FIG. 2 is an exploded perspective view thereof;  
 FIG. 3 is a bottom view thereof;  
 FIG. 4 is a top view thereof, with the lid removed for ease of illustration;  
 FIG. 5 is a top view thereof;  
 FIG. 6 is a view of one side;  
 FIG. 7 is a view of the other side;  
 FIG. 8 is a front view thereof; and,  
 FIG. 9 is a rear view thereof.

**1 Claim, 7 Drawing Sheets**

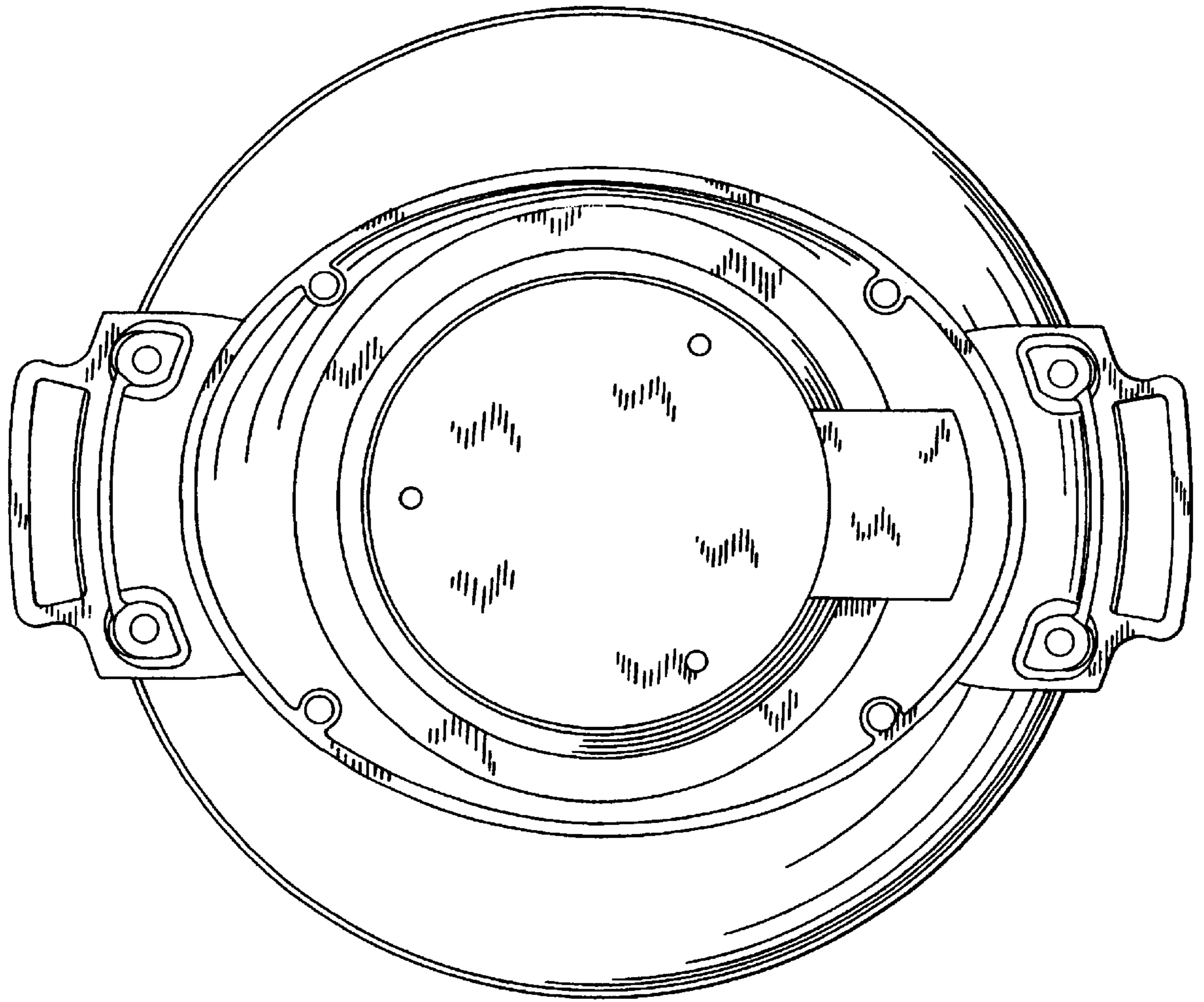




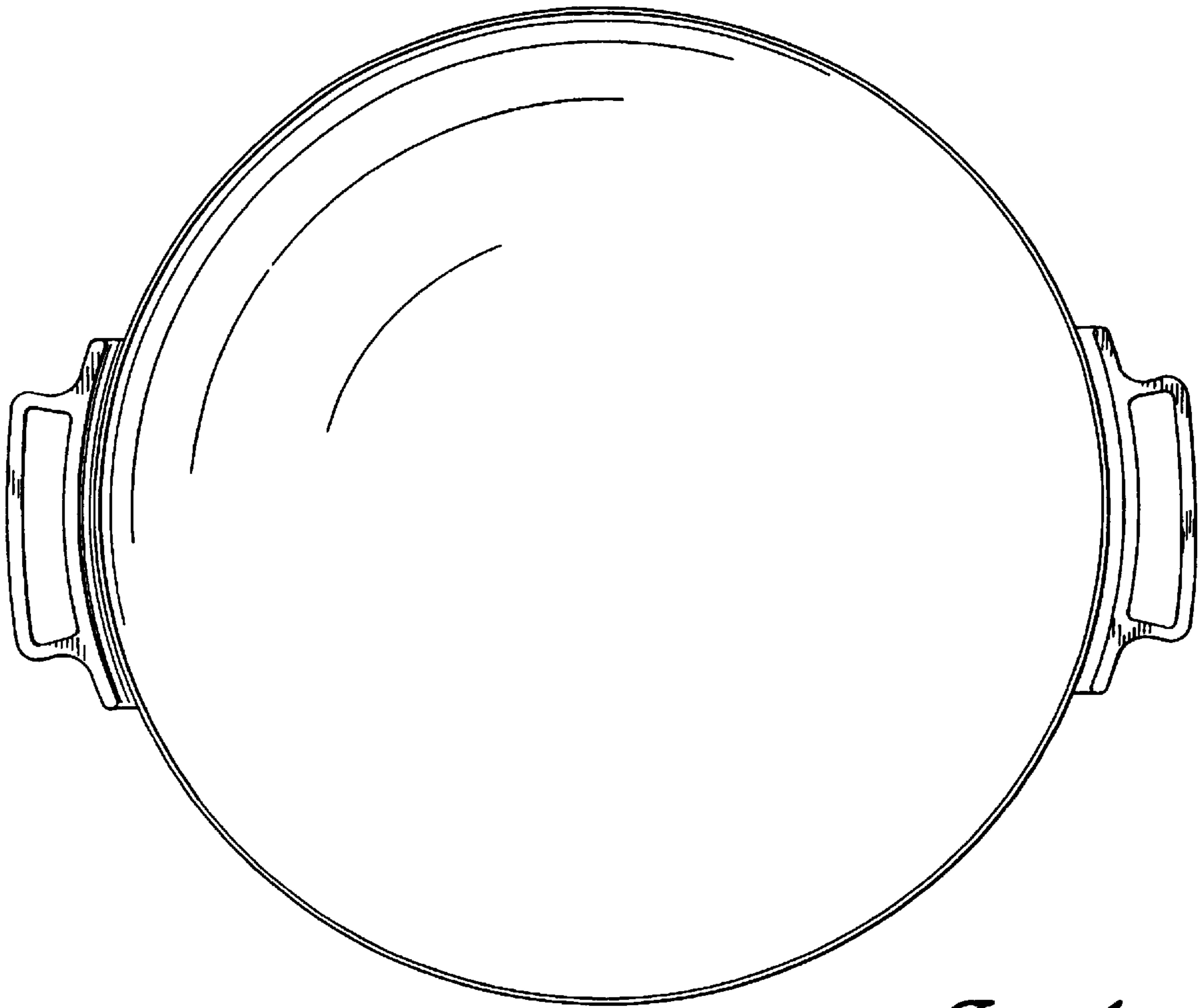
*Fig. 1.*



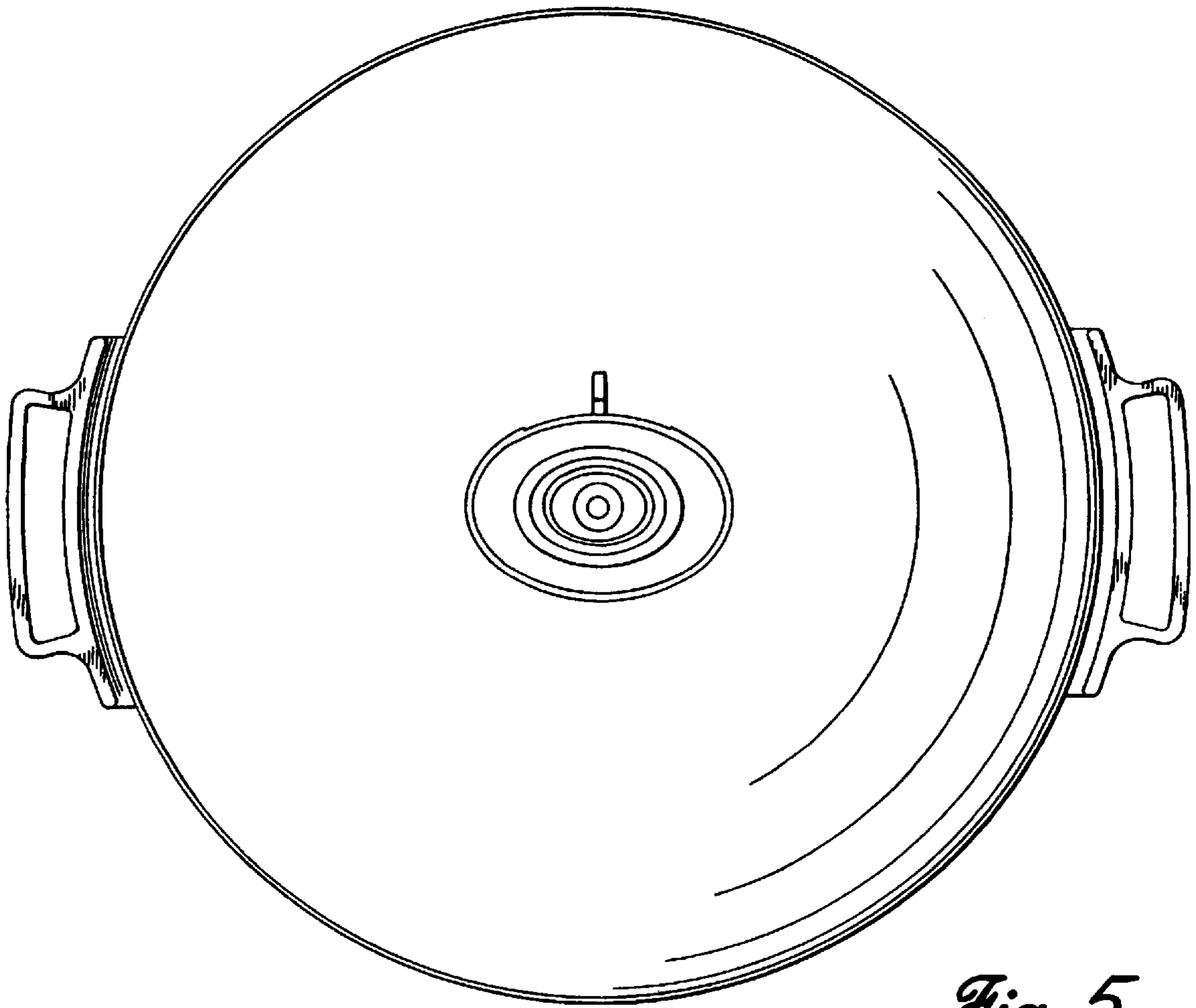
*Fig. 2.*



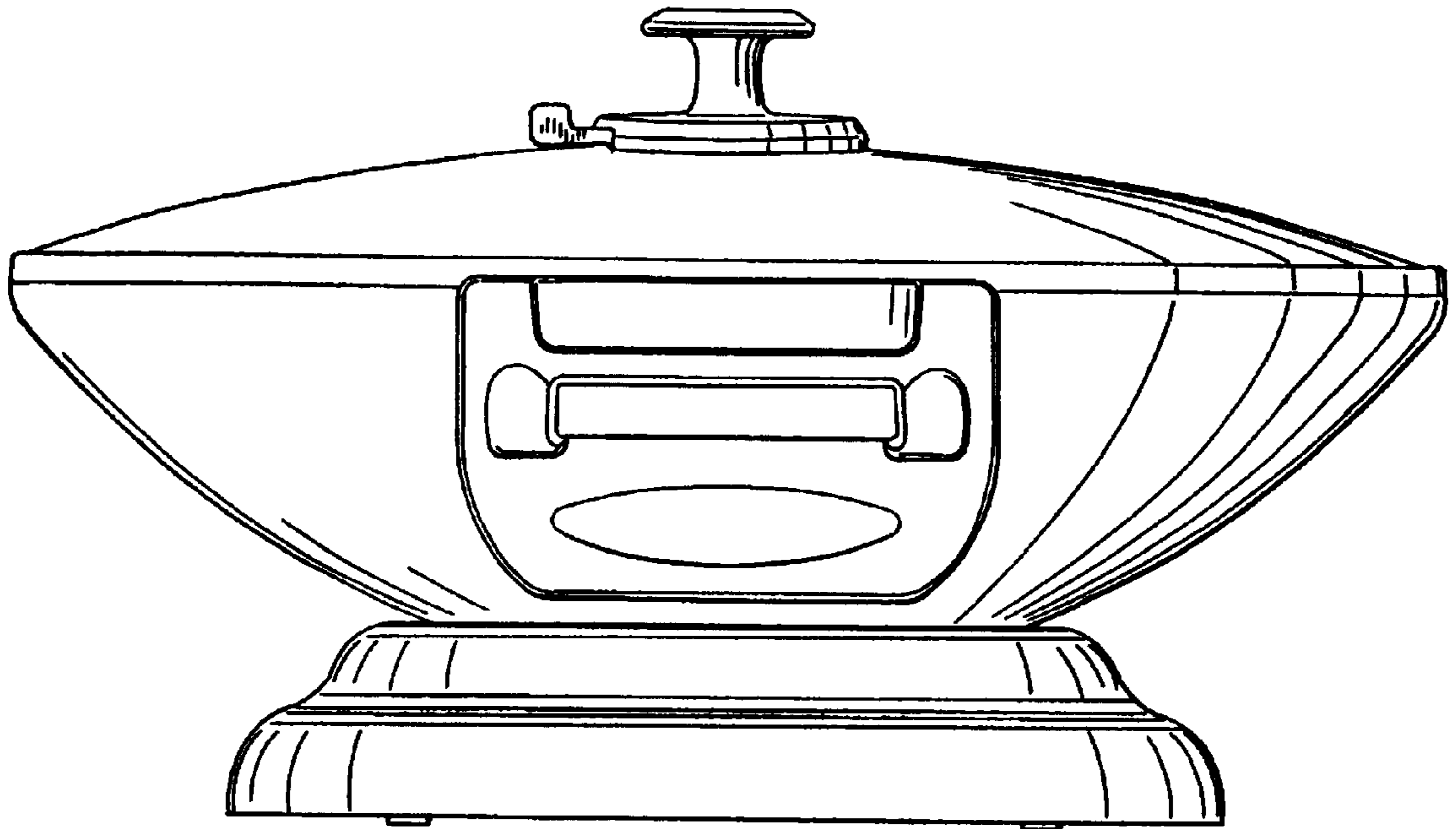
*Fig. 3.*



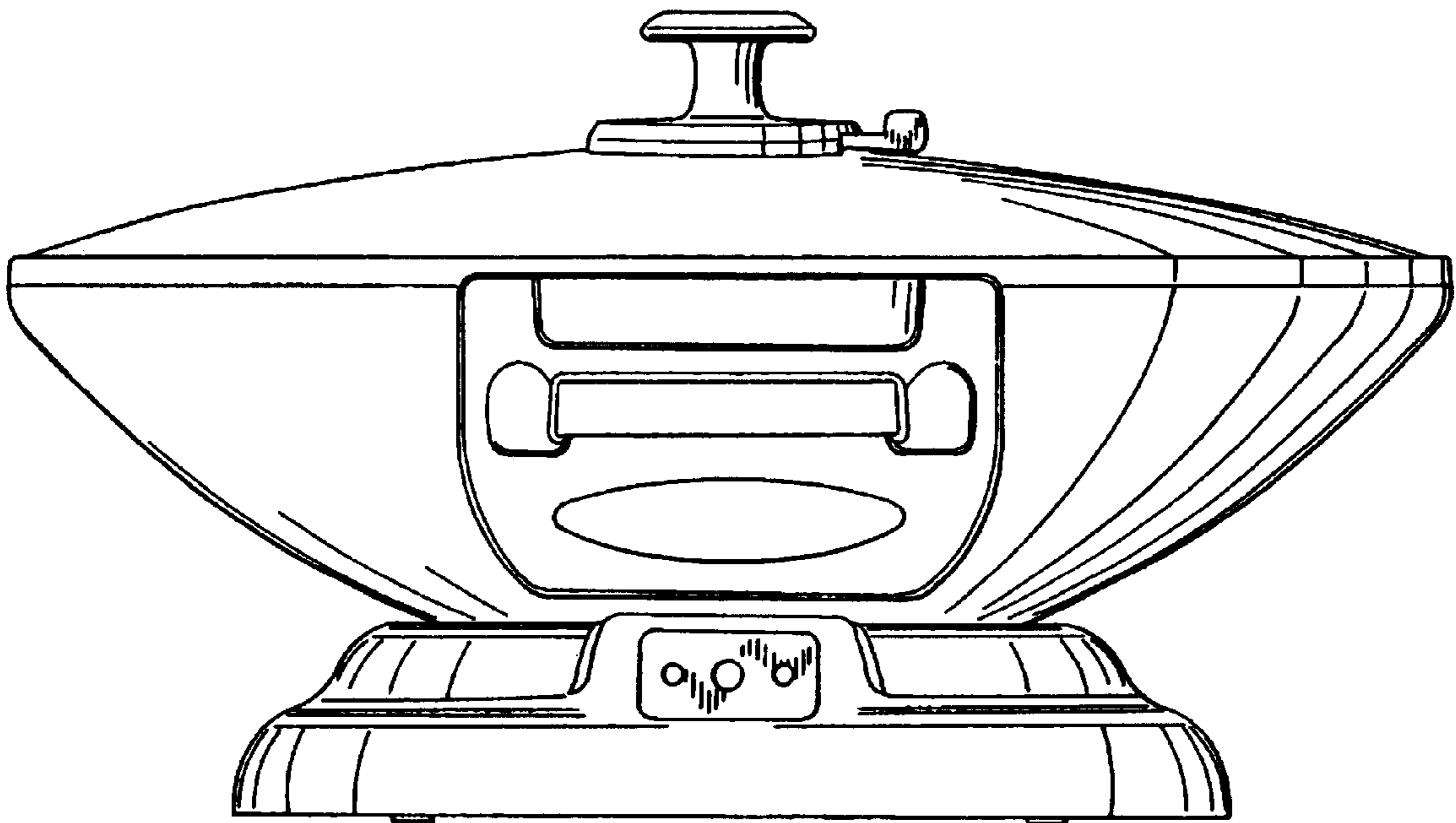
*Fig. 4.*



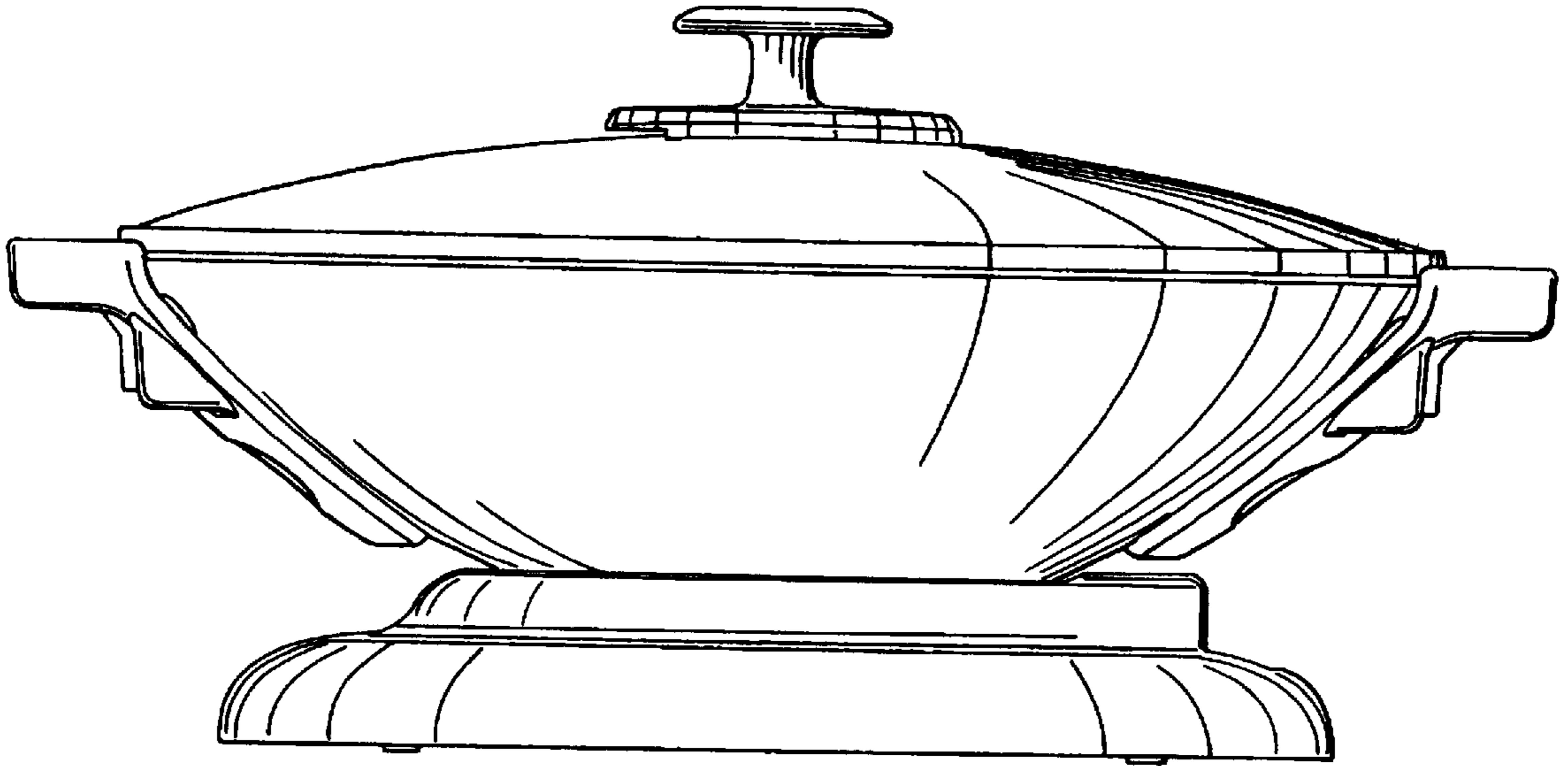
*Fig. 5.*



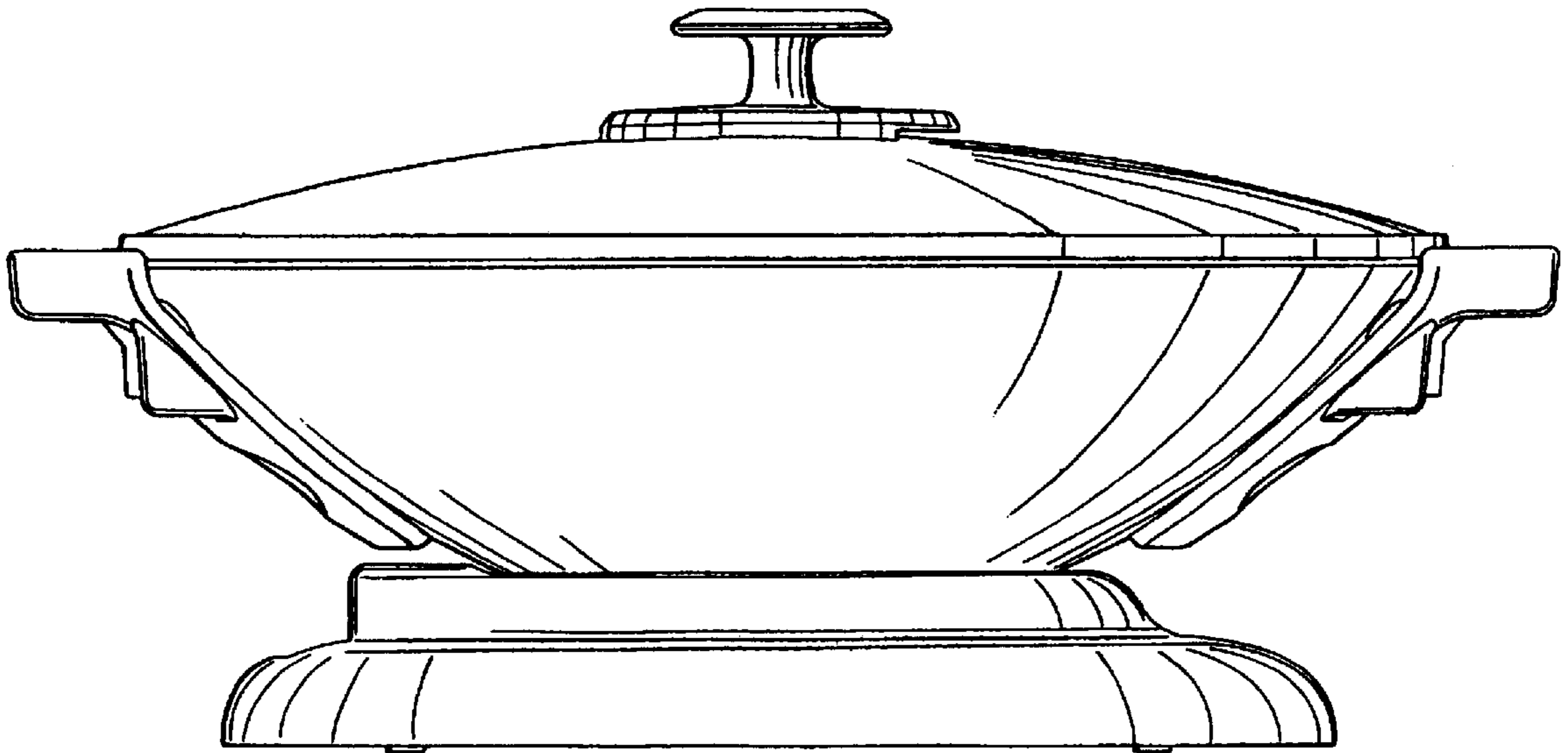
*Fig. 6.*



*Fig. 7.*



*Fig. 8.*



*Fig. 9.*