



US00D438421S

(12) **United States Design Patent**
Su

(10) **Patent No.:** **US D438,421 S**

(45) **Date of Patent:** **** Mar. 6, 2001**

(54) **OVEN**

(76) Inventor: **Yung-Sen Su**, P.O. Box 82-144, Taipei (TW)

(**) Term: **14 Years**

(21) Appl. No.: **29/097,672**

(22) Filed: **Dec. 11, 1998**

(51) **LOC (7) Cl.** **07-02**

(52) **U.S. Cl.** **D7/350**

(58) **Field of Search** D7/332-338, 402-404, D7/362, 363, 365; 126/275 R, 275 E, 19 M, 19 R, 21 A, 25 R, 25 A, 25 AA, 29-30, 9 R, 9 A, 9 B, 39 R, 41 R, 40; 219/10.55 R, 10.55 A, 10.55 B, 10.55 C, 403, 401, 386; 99/340-341, 419, 421 R, 421 H, 446, 450, 372

(56) **References Cited**

U.S. PATENT DOCUMENTS

- Re. 31,833 * 2/1985 Loeffler et al. 99/332
- D. 323,952 * 2/1992 Wagner et al. D7/332
- D. 364,070 * 11/1995 Klein et al. D7/350

- D. 367,397 * 2/1996 Dornbush et al. D7/350
- D. 380,338 * 7/1997 Carbone et al. D7/328
- D. 394,582 * 5/1998 Micoley et al. D7/350
- D. 411,782 * 7/1999 Husted D7/402
- D. 413,040 * 8/1999 Lawrence et al. D7/328
- 4,869,163 * 9/1989 Haskins 99/482

* cited by examiner

Primary Examiner—Ruth McInroy
(74) *Attorney, Agent, or Firm*—A & J

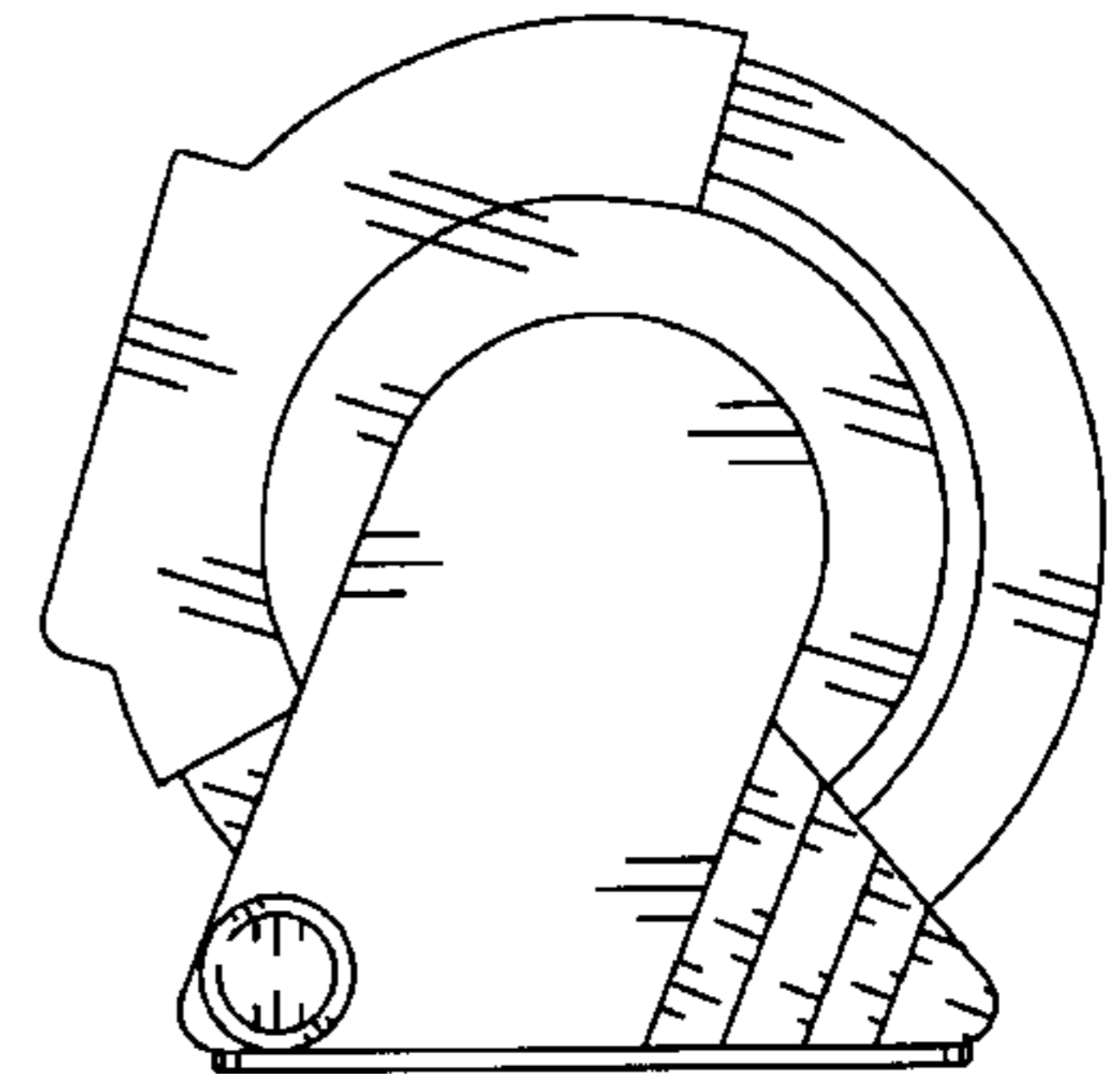
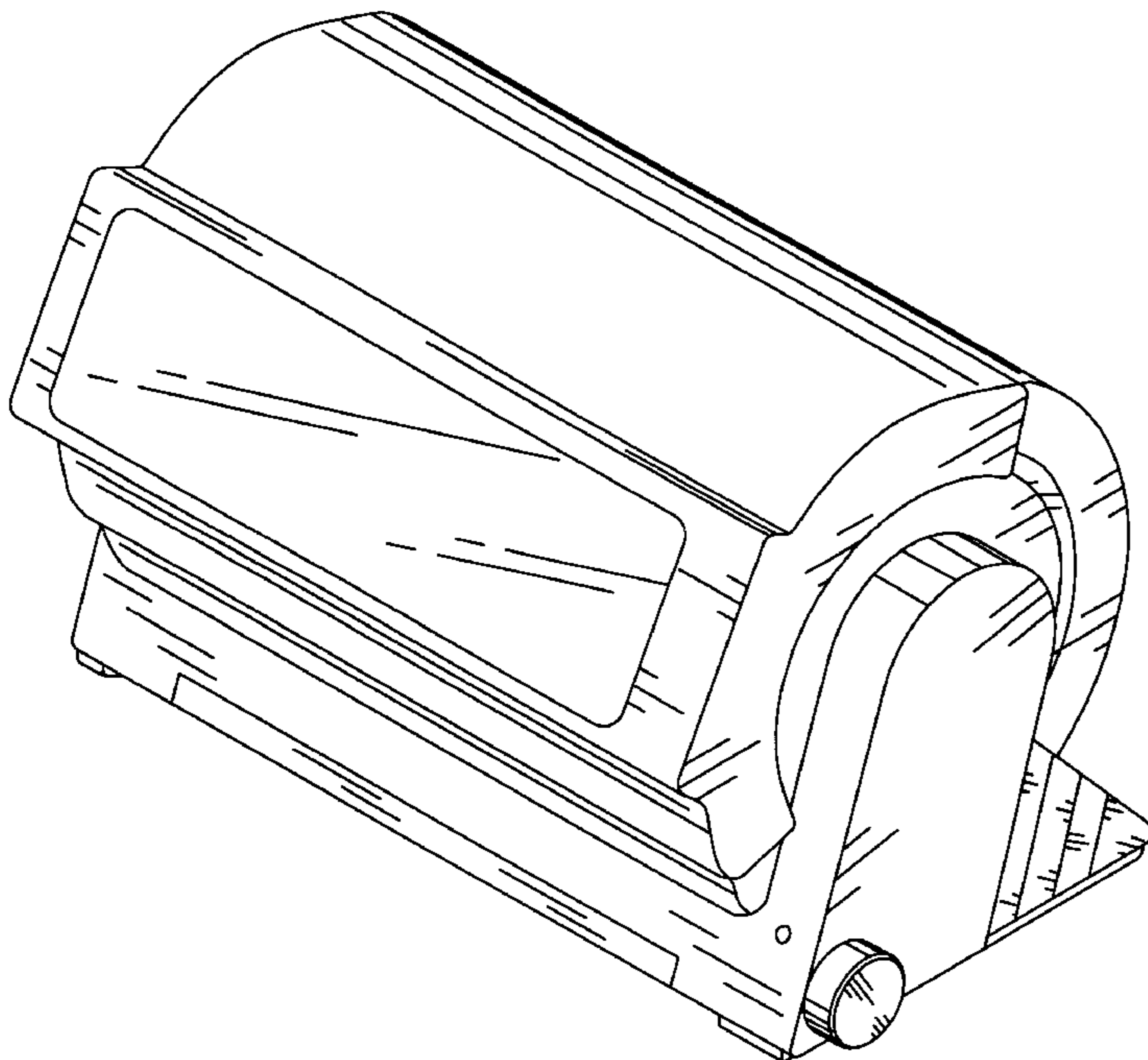
(57) **CLAIM**

The ornamental design for an oven, as shown and described.

DESCRIPTION

- FIG. 1 is a perspective view of an oven showing my new design;
- FIG. 2 is a front view thereof;
- FIG. 3 is a rear view thereof;
- FIG. 4 is a left side elevational view thereof;
- FIG. 5 is a right side elevational view thereof;
- FIG. 6 is a top plan view thereof; and,
- FIG. 7 is a bottom plan view thereof.

1 Claim, 4 Drawing Sheets



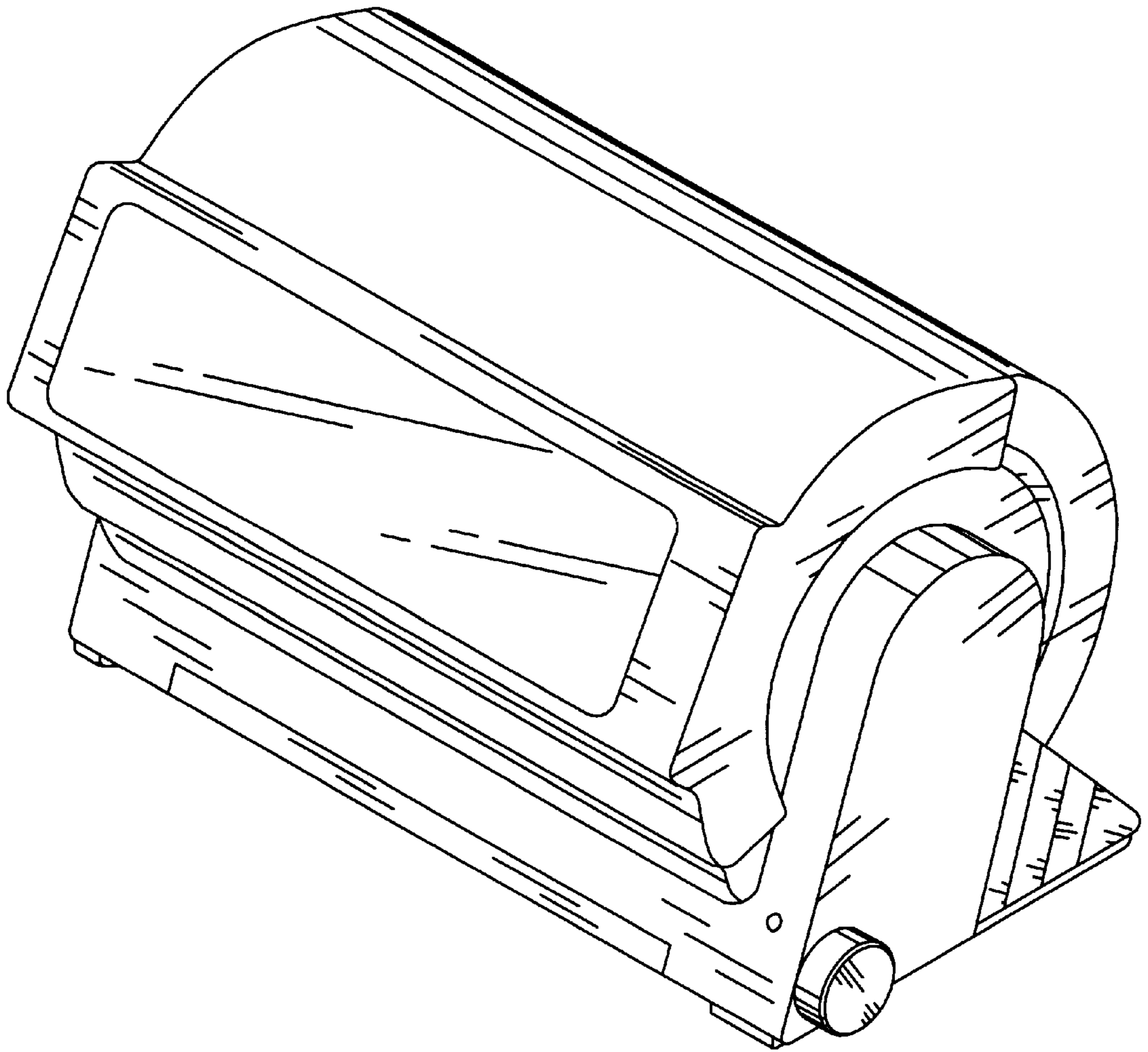


FIG. 1

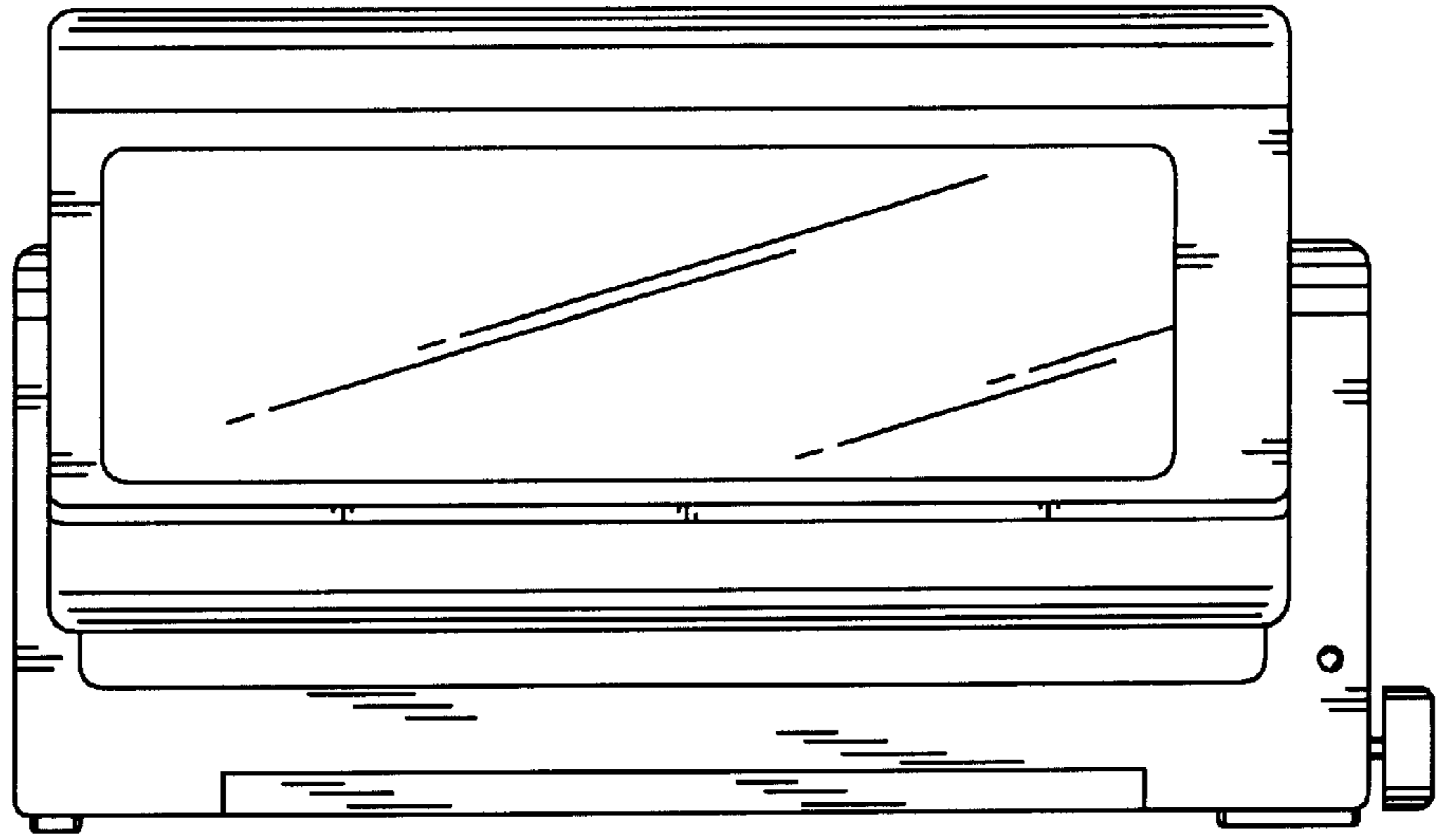


FIG. 2

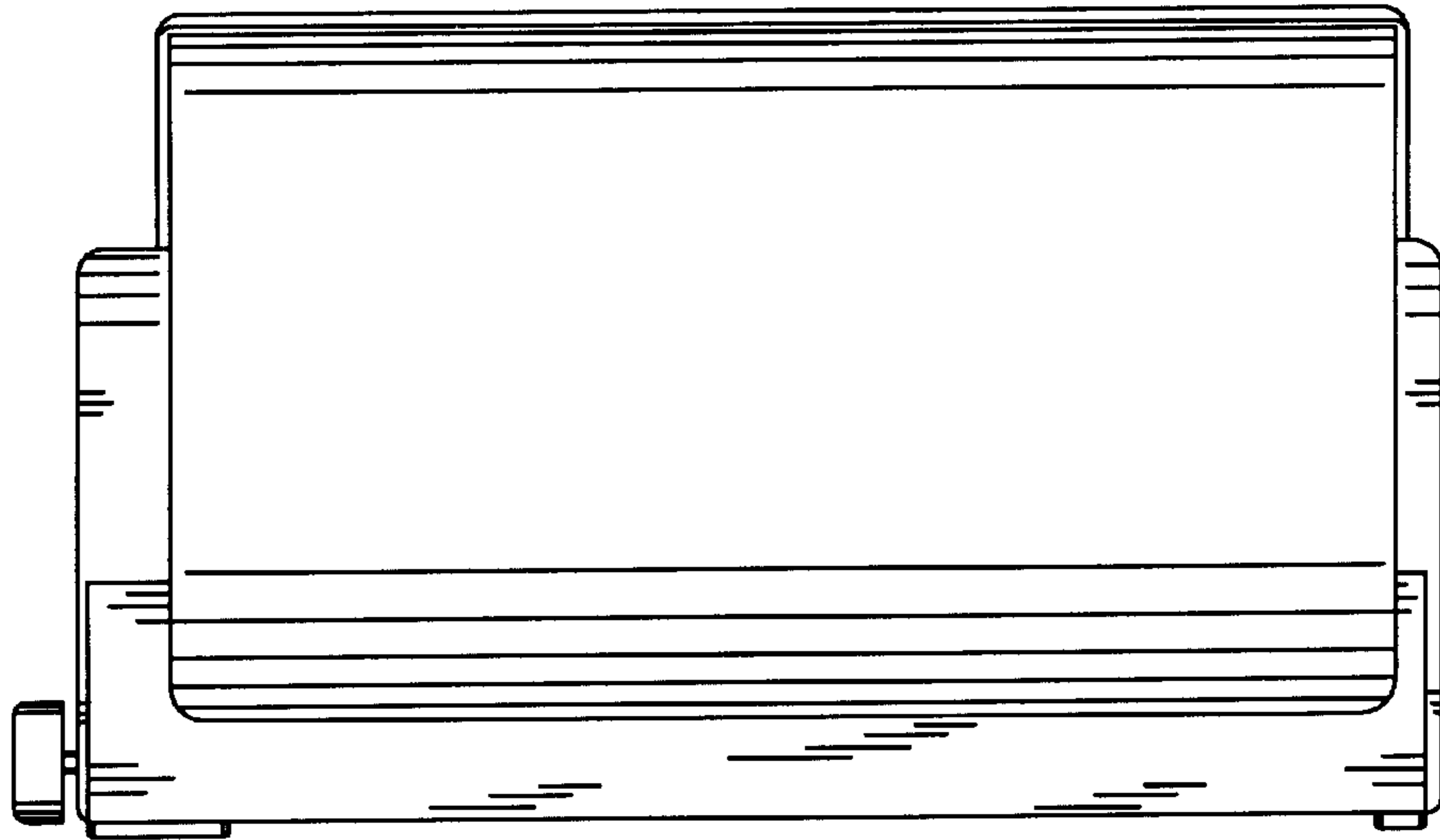


FIG. 3

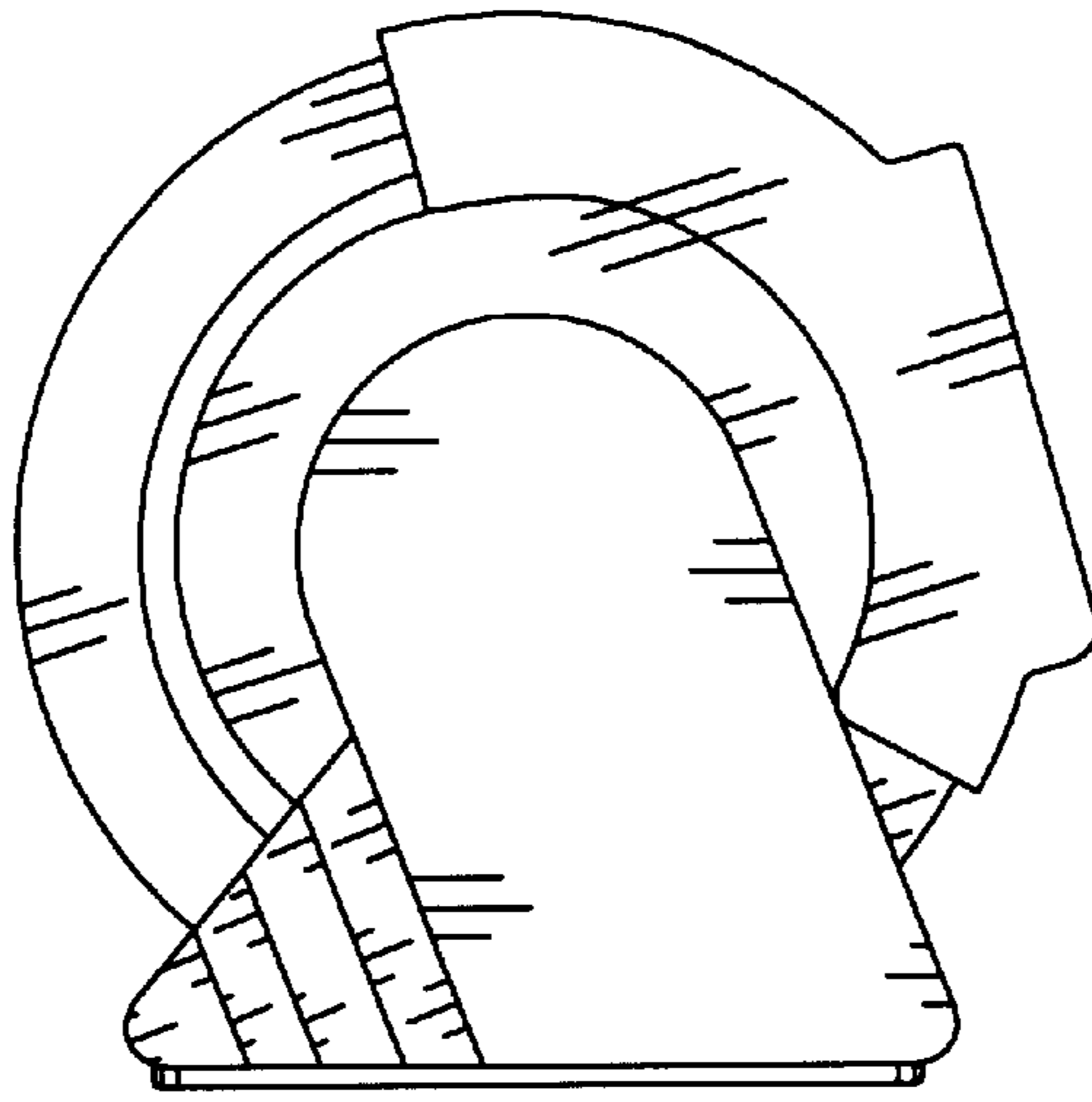


FIG. 4

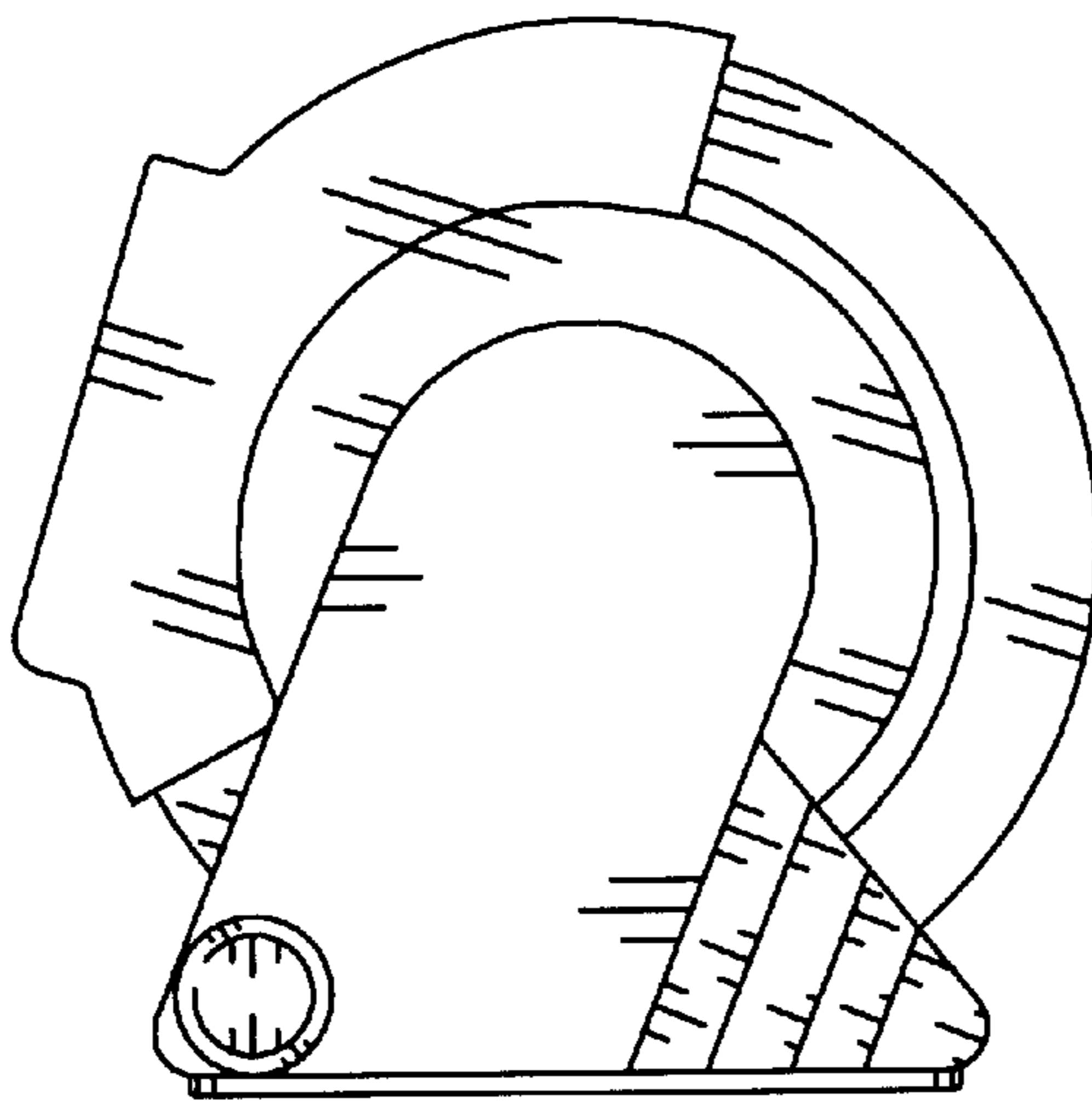


FIG. 5

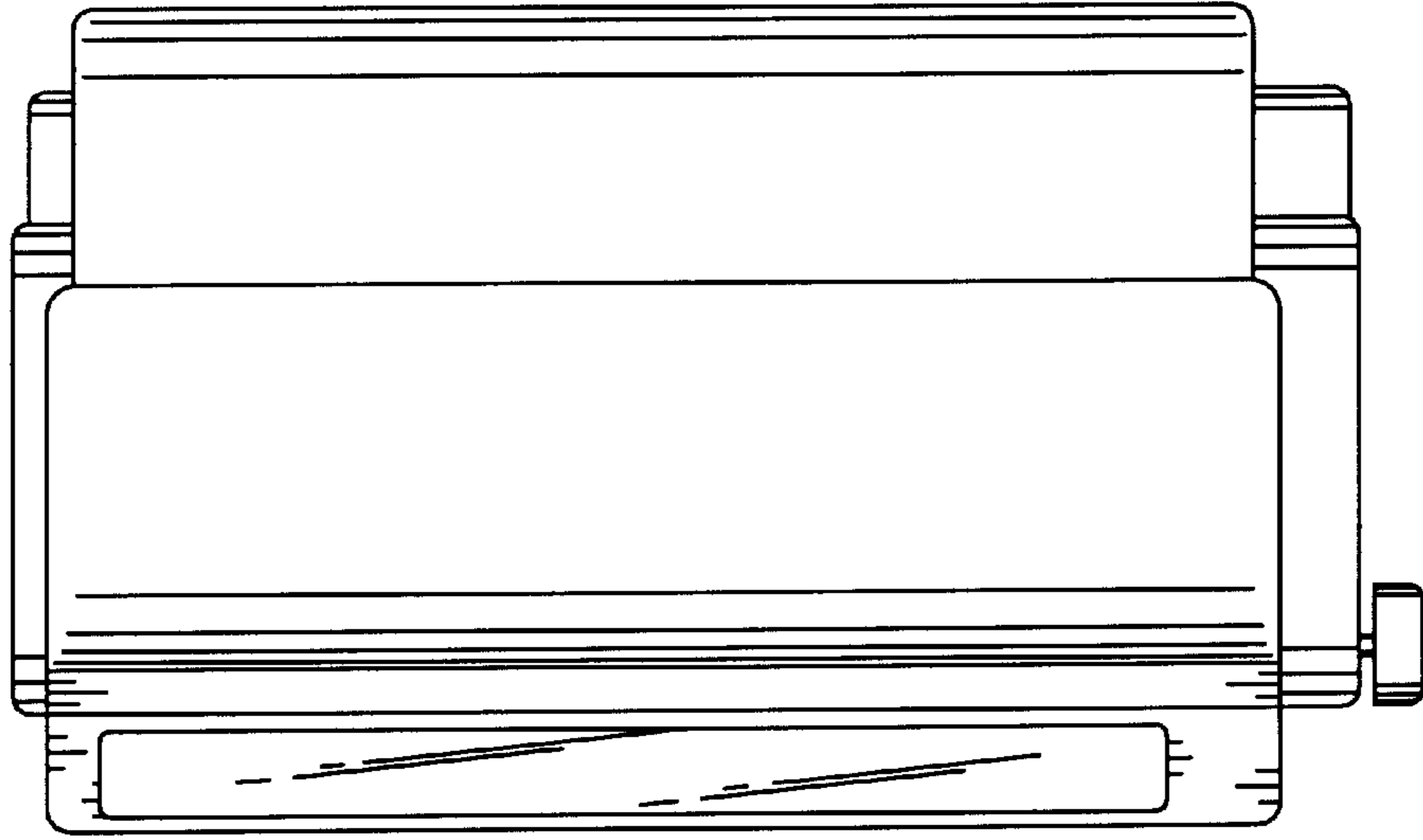


FIG. 6

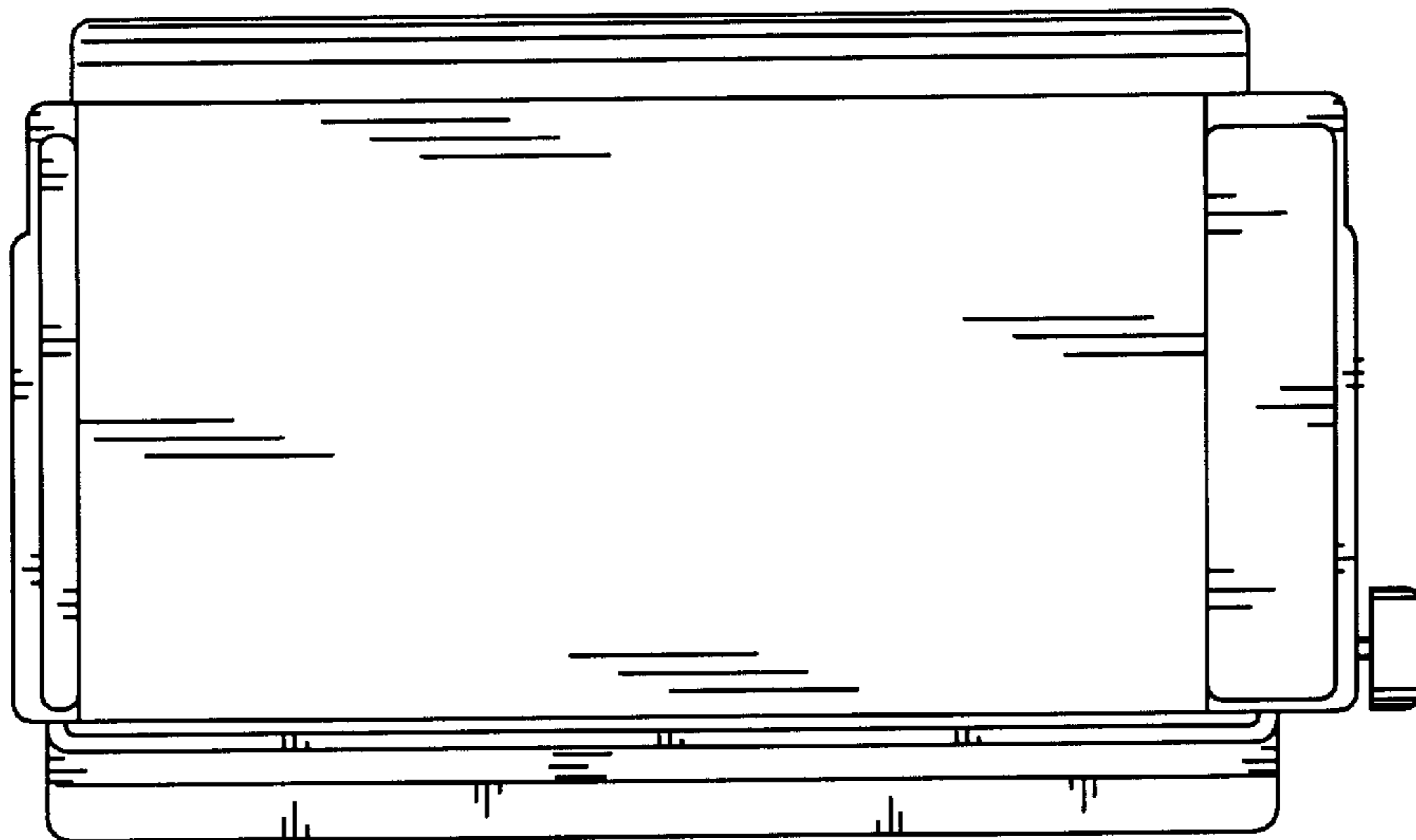


FIG. 7