



US00D438419S

(12) **United States Design Patent**  
**Murphy**

(10) **Patent No.:** **US D438,419 S**

(45) **Date of Patent:** **\*\* Mar. 6, 2001**

(54) **STIRRING PITCHER**

(75) **Inventor:** **David J. Murphy**, Chicago, IL (US)

(73) **Assignee:** **Sierra Housewares, Inc.**, Chicago, IL (US)

(\*\*) **Term:** **14 Years**

(21) **Appl. No.:** **29/104,142**

(22) **Filed:** **Apr. 29, 1999**

(51) **LOC (7) Cl.** ..... **07-01**

(52) **U.S. Cl.** ..... **D7/319; D7/317; D7/376**

(58) **Field of Search** ..... D7/316, 317, 318,  
D7/319, 300, 688, 376, 312; D23/209;  
222/465.1, 472, 470; 210/237; 269/248,  
319, 318

(56) **References Cited**

**U.S. PATENT DOCUMENTS**

- D. 252,068 \* 6/1979 Lovely ..... D7/688
- D. 285,892 \* 9/1986 Doyel ..... D7/376
- D. 305,089 \* 12/1989 Thompson ..... D7/376
- D. 350,255 \* 9/1994 Daenen et al. .... D7/317

- D. 384,237 \* 9/1997 Hess ..... D7/319
- D. 401,466 \* 11/1998 Joergensen ..... D7/318
- 2,749,098 \* 6/1956 Johnson ..... D7/376 X
- 4,359,283 \* 11/1982 McClellan ..... 366/318 X

\* cited by examiner

*Primary Examiner*—M. N. Pandozzi

(74) *Attorney, Agent, or Firm*—Dorn, McEachran, Jambor & Keating; Vangelis Economou

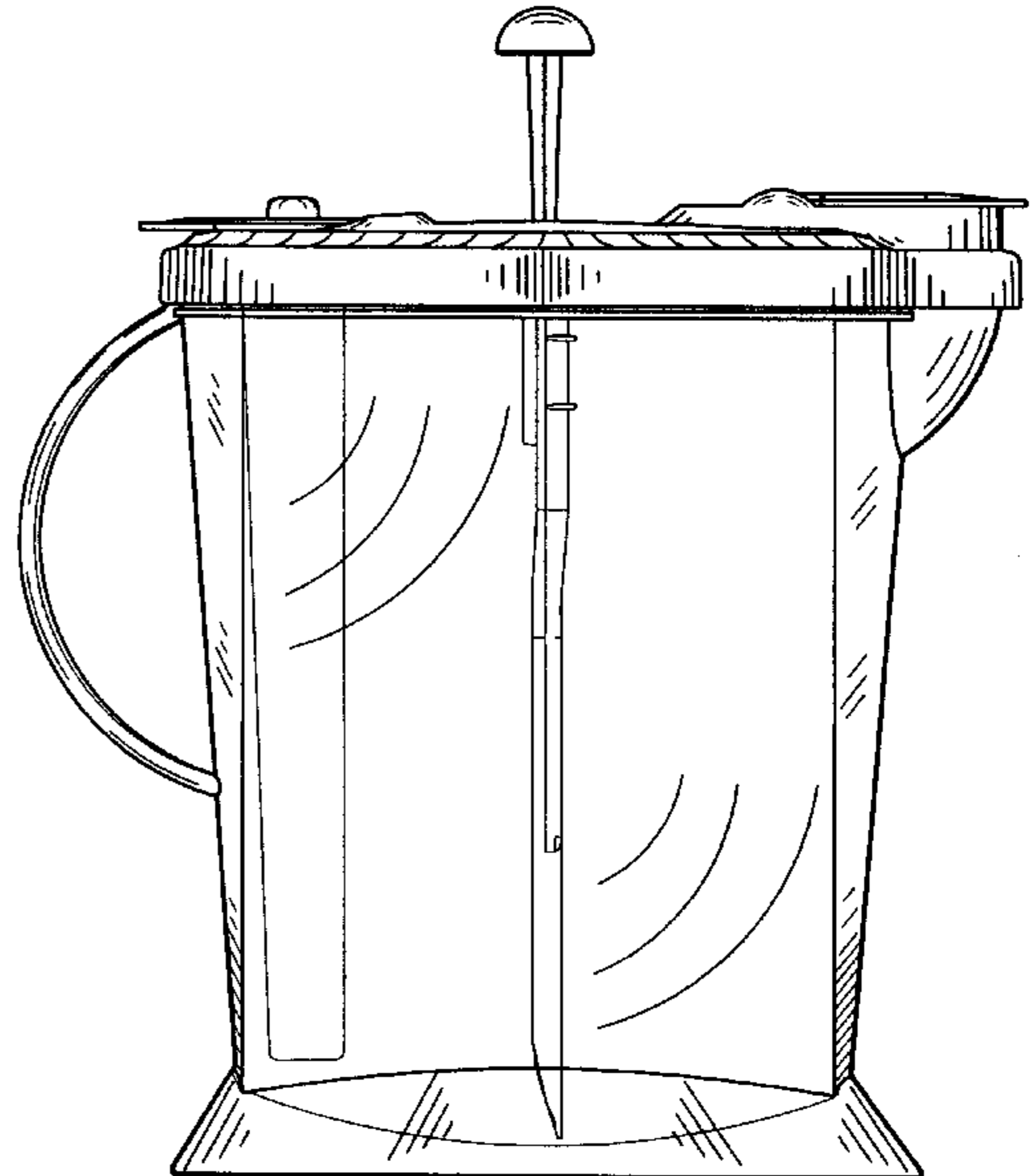
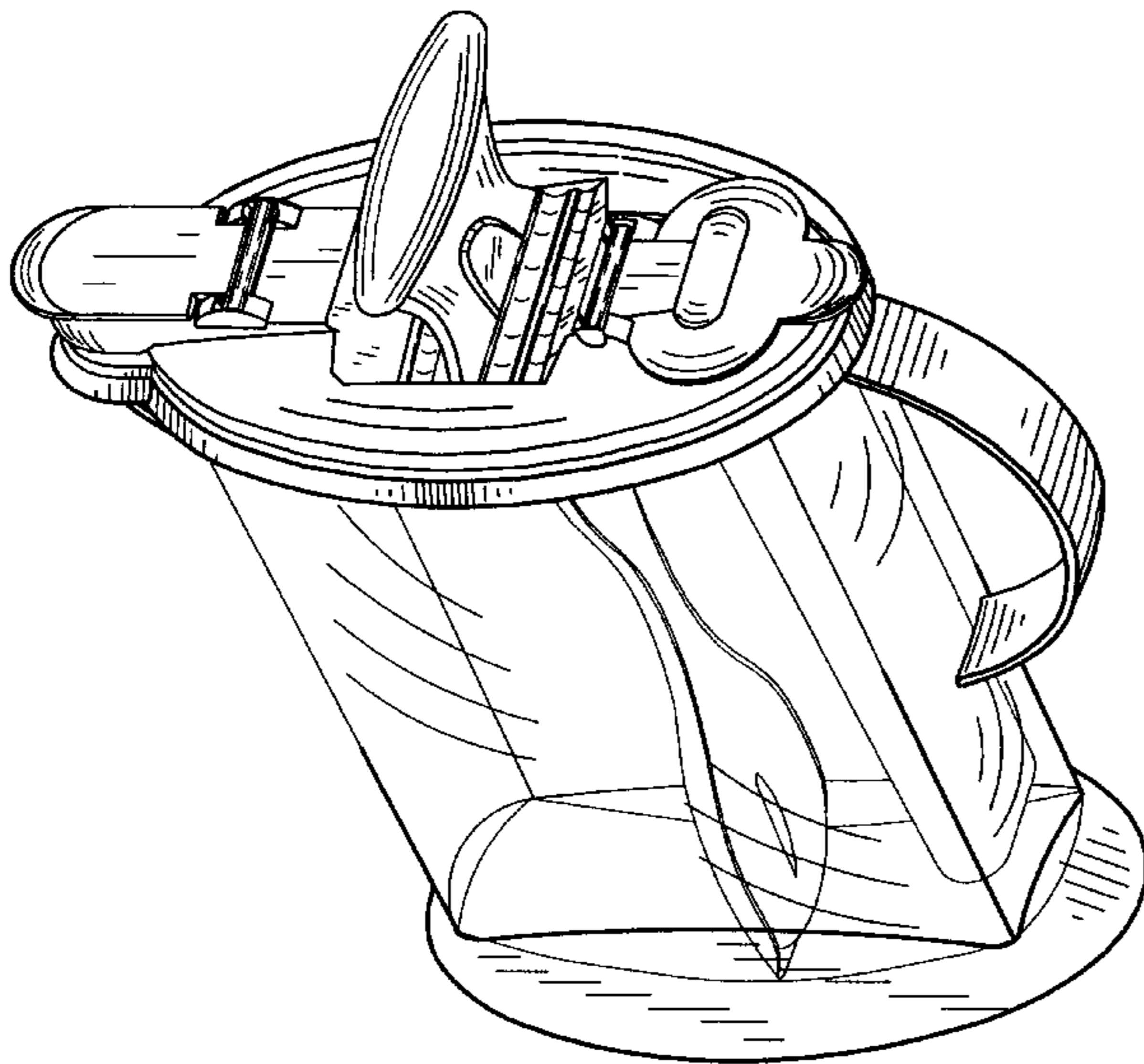
(57) **CLAIM**

The ornamental design for a stirring pitcher, as shown and described.

**DESCRIPTION**

FIG. 1 is a perspective view of the stirring pitcher according to the present invention;  
 FIG. 2 is an elevational view of a stirring pitcher showing the new design, the left side being the same as the right side;  
 FIG. 3 is a front view thereof;  
 FIG. 4 is a rear view thereof;  
 FIG. 5 is a top view thereof; and,  
 FIG. 6 is a bottom view thereof.

**1 Claim, 5 Drawing Sheets**



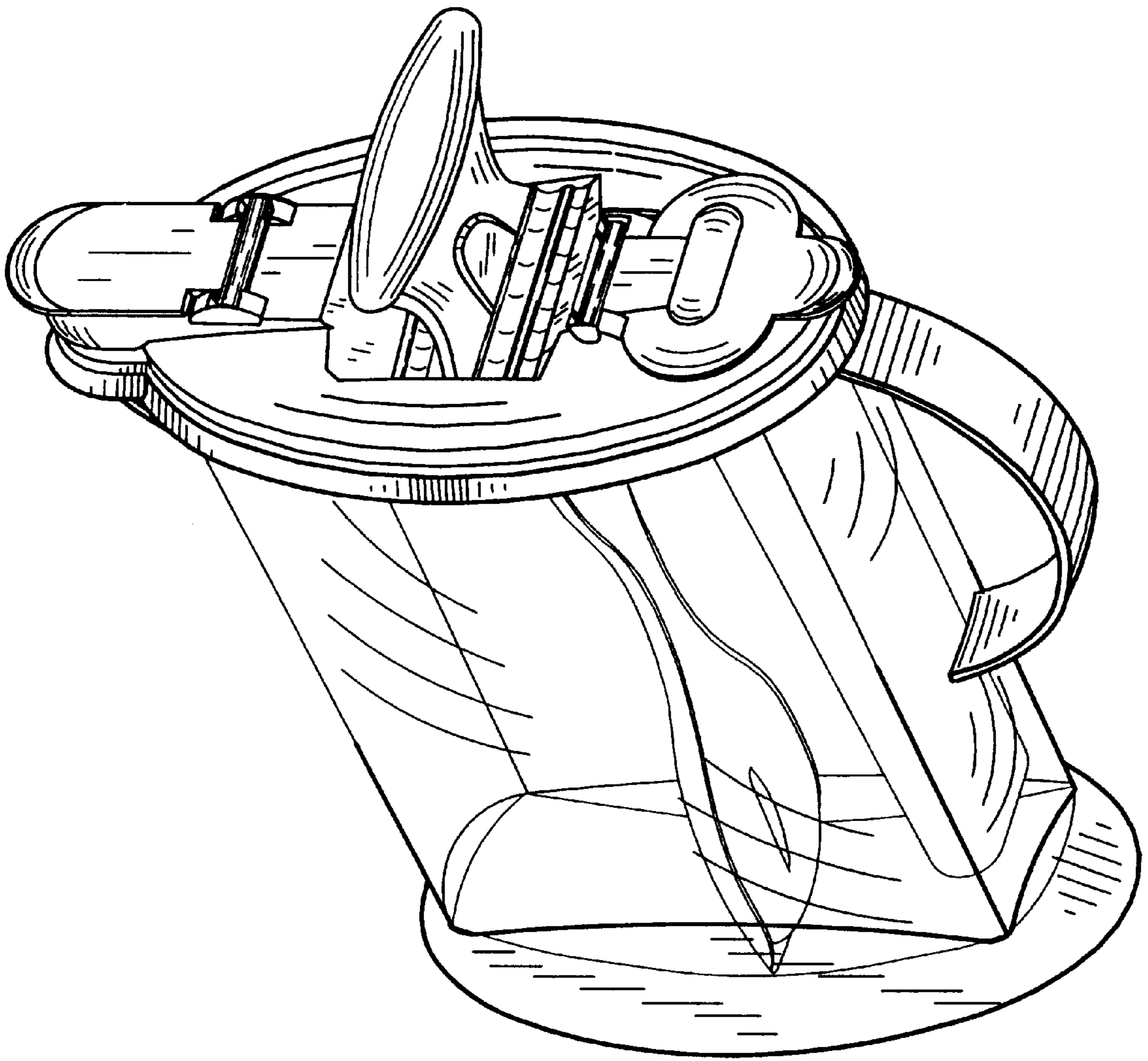


FIG. 1

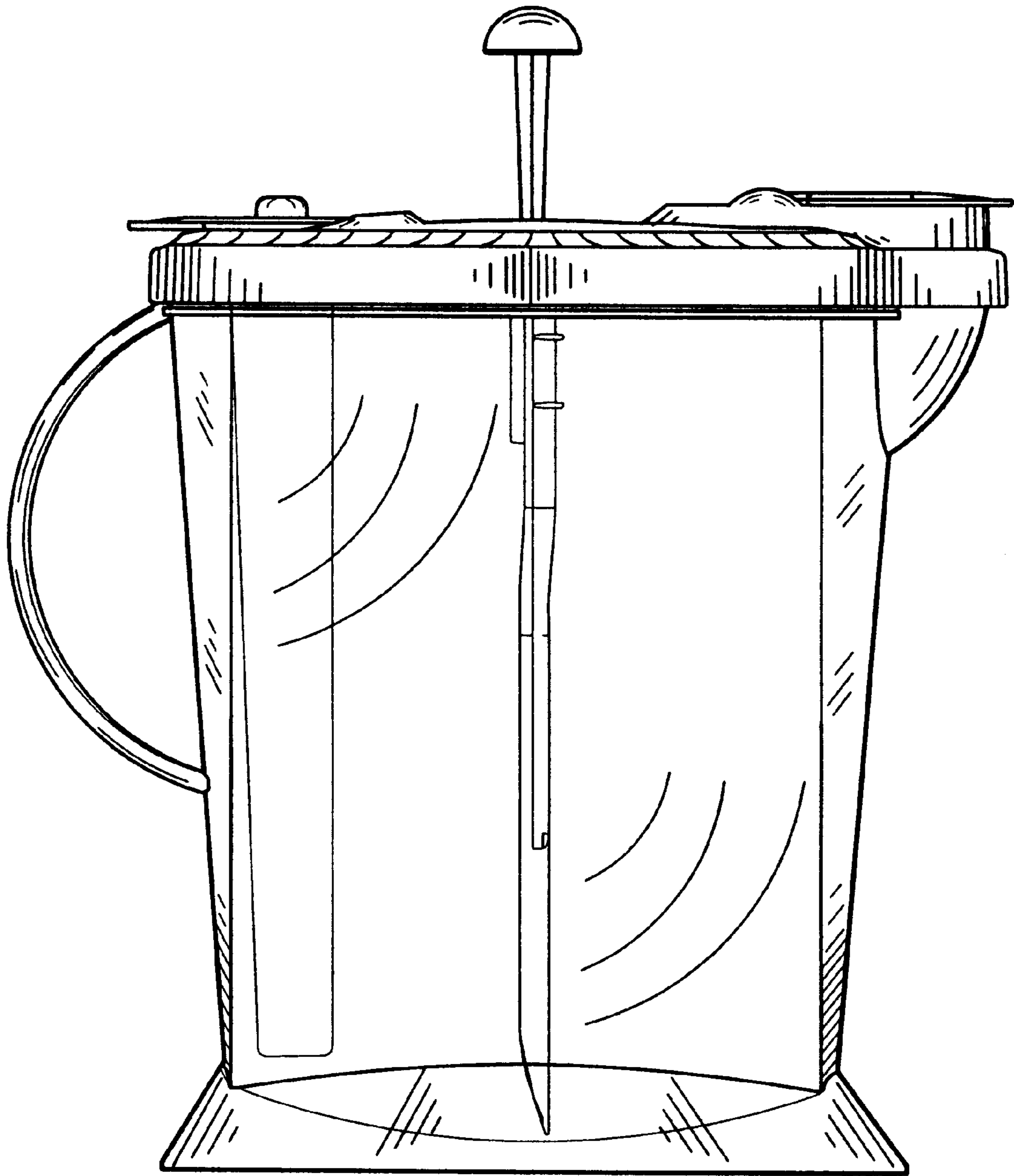


FIG. 2

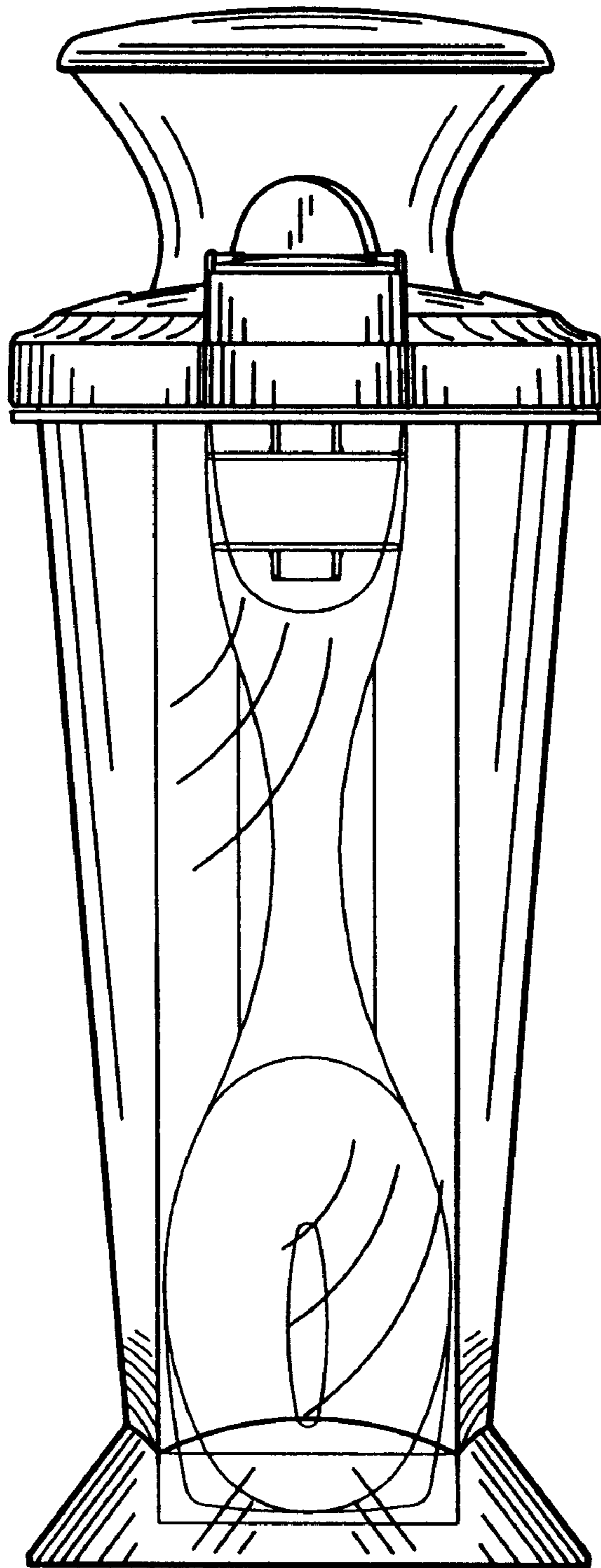


FIG. 3

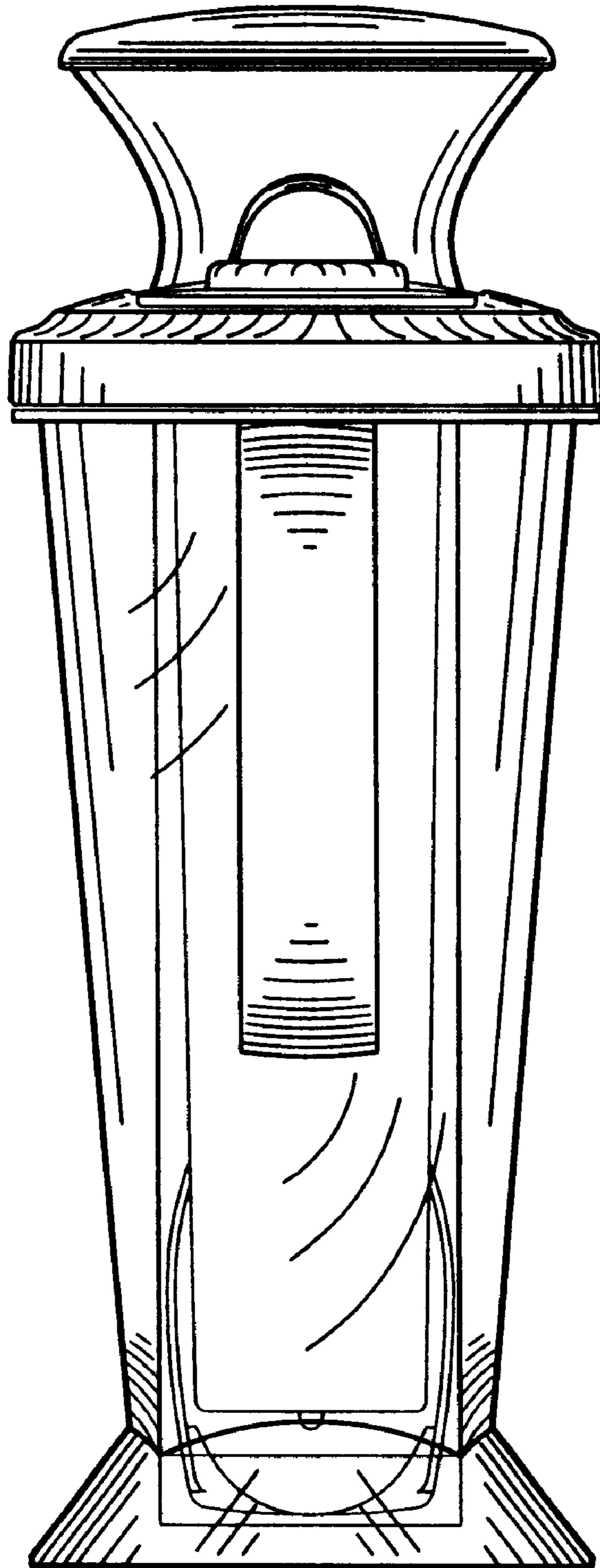


FIG. 4

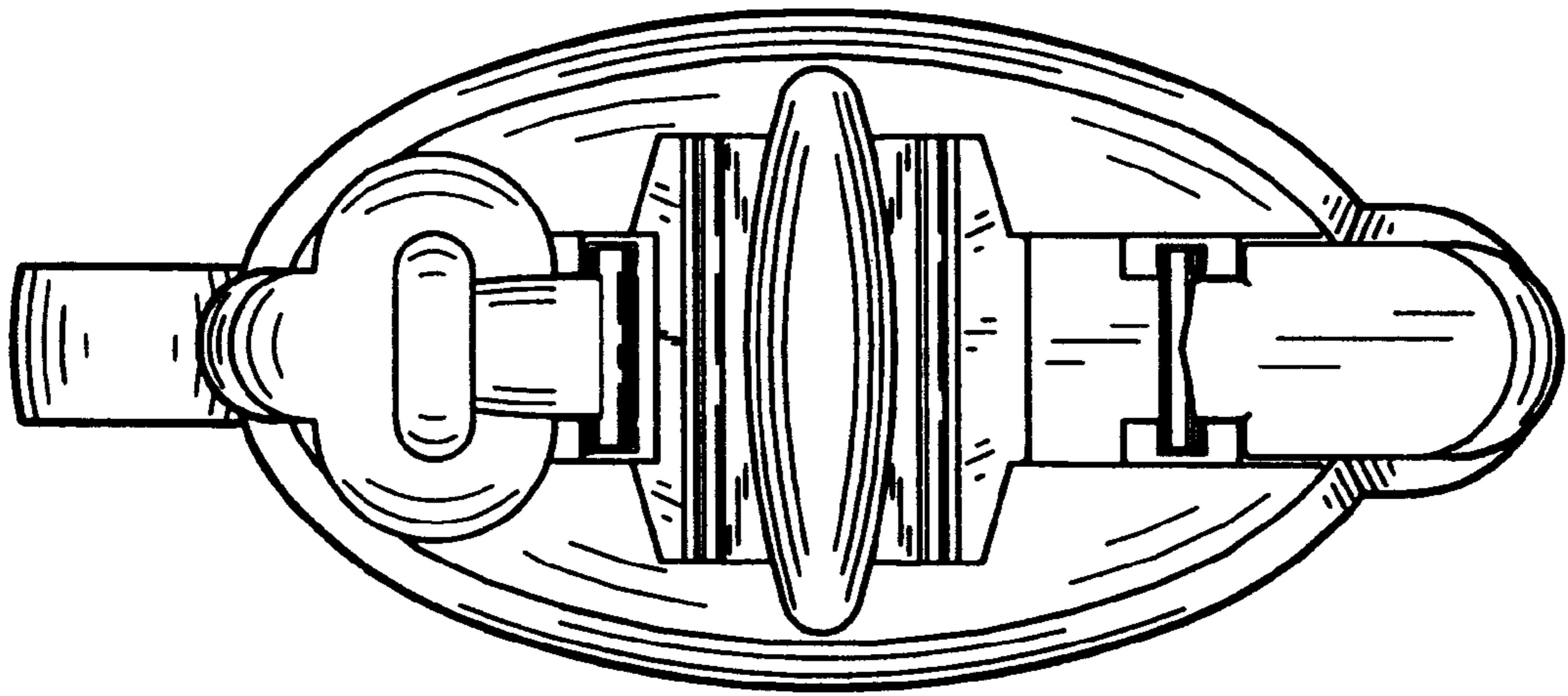


FIG. 5

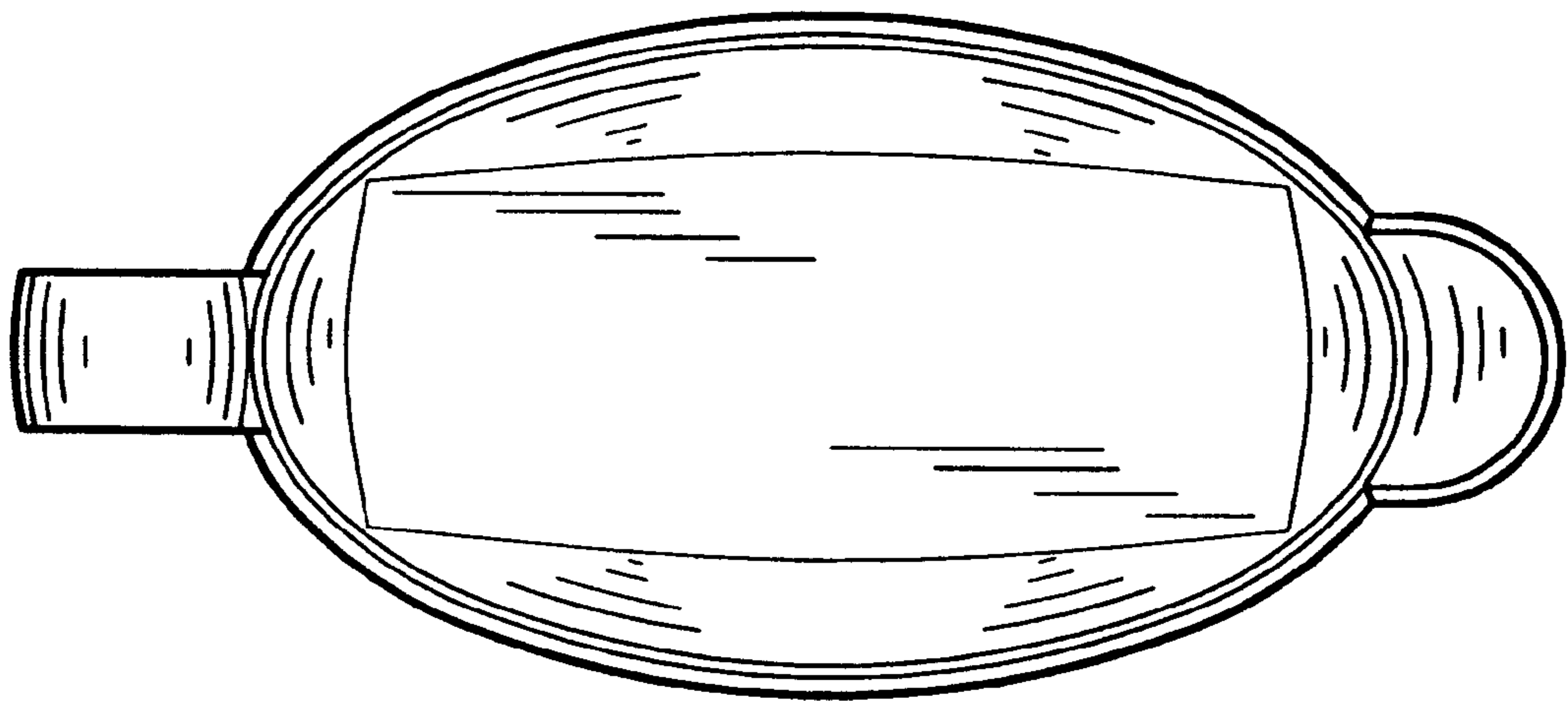


FIG. 6