



US00D438416S

(12) **United States Design Patent**
DeBlock et al.

(10) **Patent No.:** **US D438,416 S**

(45) **Date of Patent:** **** Mar. 6, 2001**

(54) **ROLLER SHADE HOUSING**

D. 334,683 * 4/1993 Byrne D6/579

(75) Inventors: **David A. DeBlock**, Holland; **Thomas M. Edwards**, Spring Lake, both of MI (US)

* cited by examiner

Primary Examiner—Mitchell Siegel

(73) Assignee: **ODL, Incorporated**, Zeeland, MI (US)

(74) *Attorney, Agent, or Firm*—Warner Norcross & Judd LLP

(**) Term: **14 Years**

(57) **CLAIM**

(21) Appl. No.: **29/109,022**

The ornamental design for a roller shade housing, as shown and described.

(22) Filed: **Aug. 9, 1999**

DESCRIPTION

(51) **LOC (7) Cl.** **06-10**

FIG. 1 is a perspective view of the roller shade housing embodying the new design;

(52) **U.S. Cl.** **D6/580**

FIG. 2 is a right side elevational view thereof; the left side elevational view being a mirror image;

(58) **Field of Search** D6/575, 579, 580; D25/55, 121-125; 160/19, 23.1, 24-31

FIG. 3 is a front elevational view thereof;

(56) **References Cited**

FIG. 4 is a rear elevational view thereof;

U.S. PATENT DOCUMENTS

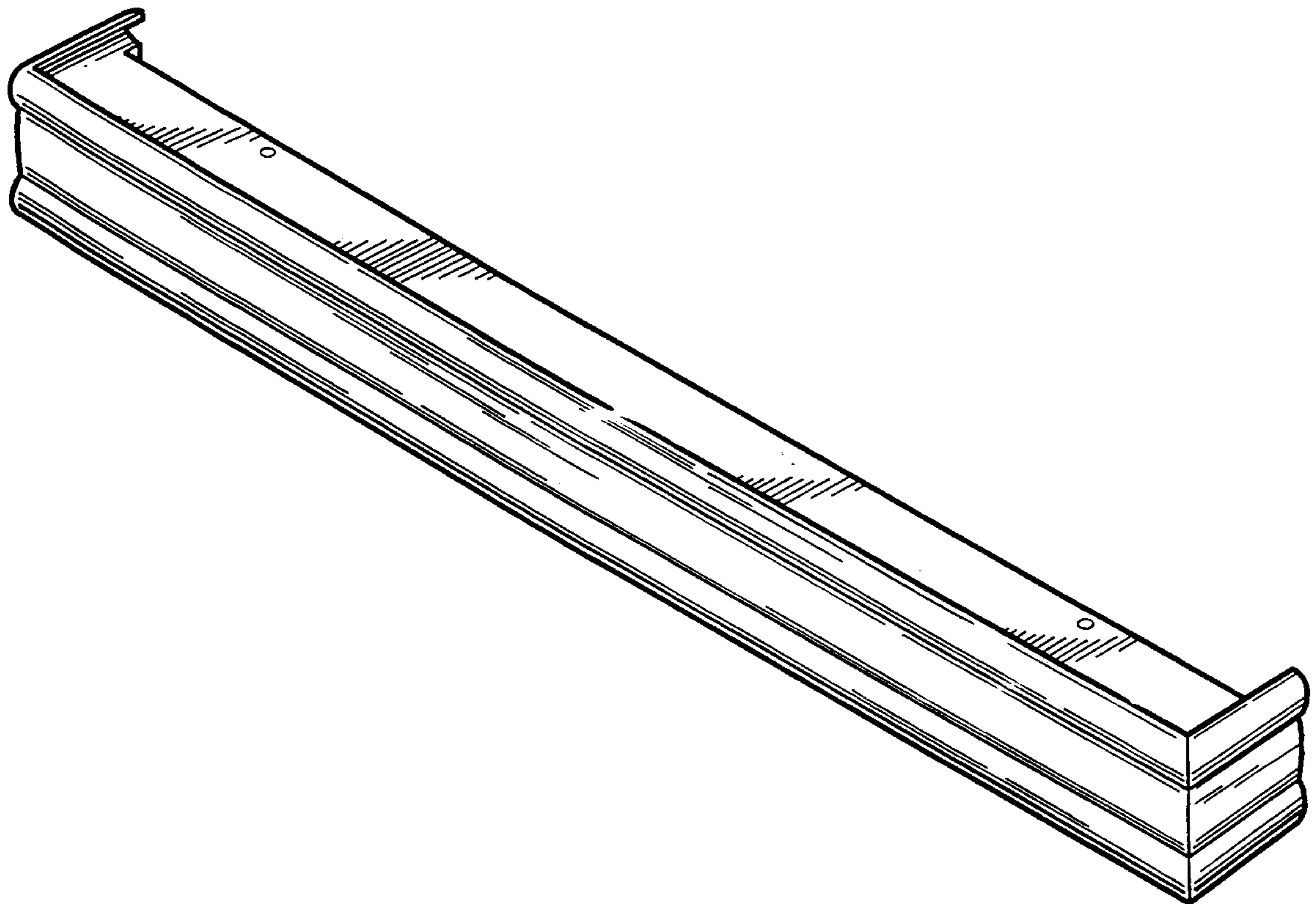
FIG. 5 is a top plan view thereof; and,

D. 165,515 * 12/1951 Eckert D25/55

FIG. 6 is a bottom plan view thereof.

D. 318,592 * 7/1991 Byrne D6/579

1 Claim, 3 Drawing Sheets



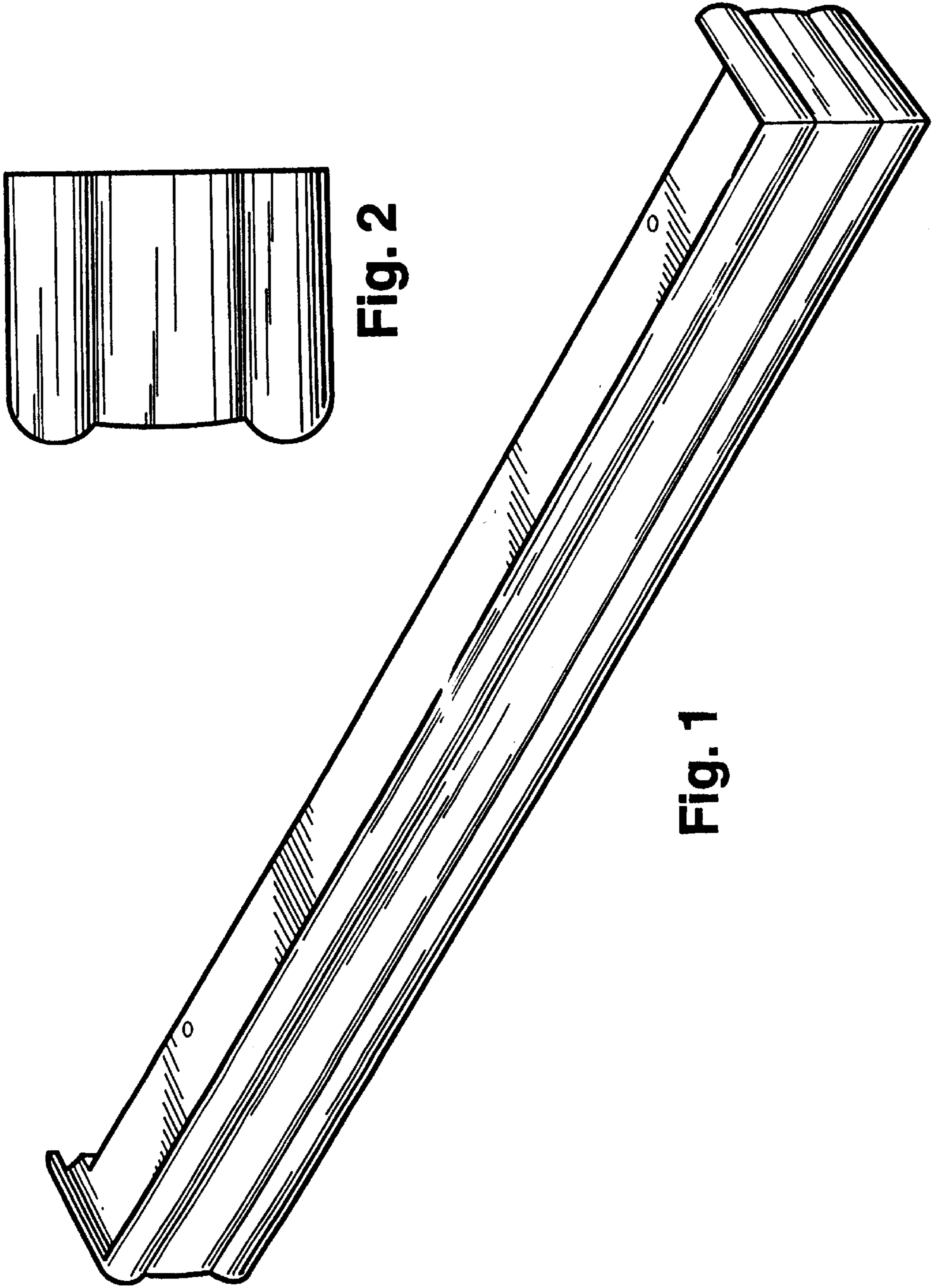


Fig. 2

Fig. 1

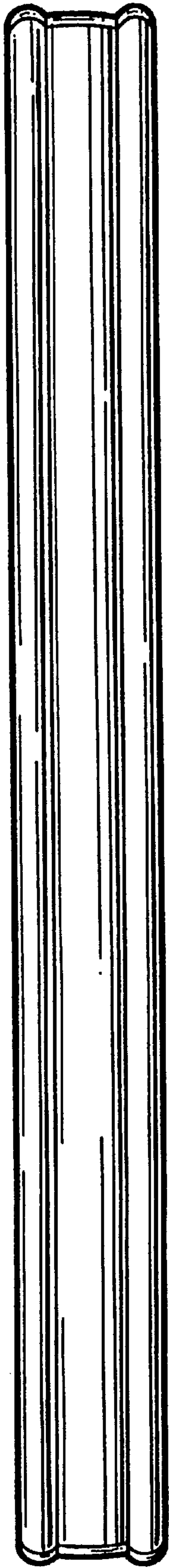


Fig. 3

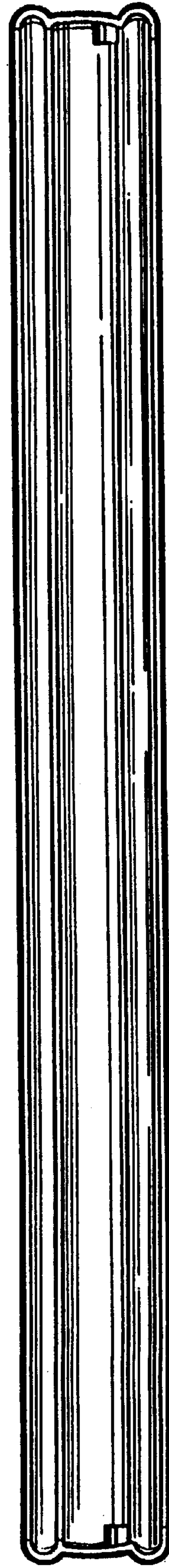


Fig. 4



Fig. 5

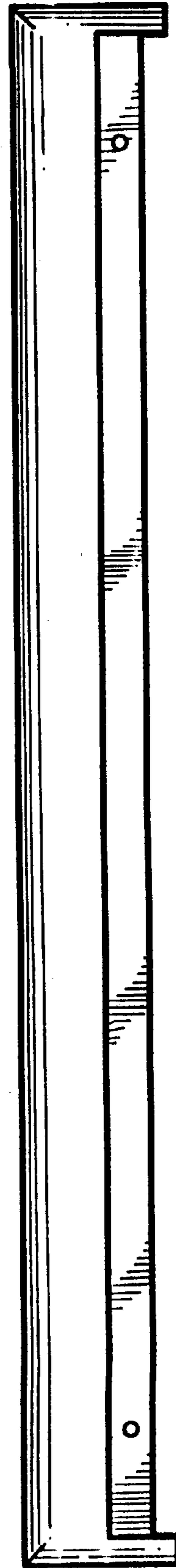


Fig. 6