



US00D438415S

(12) **United States Design Patent**
Pohl

(10) **Patent No.:** **US D438,415 S**

(45) **Date of Patent:** **** Mar. 6, 2001**

(54) **PEGABLE SPINNER BRACKET**

4 pages (Date Unknown).

(75) Inventor: **Karl H. Pohl**, Plymouth, MN (US)

* cited by examiner

(73) Assignee: **Allied Plastics, Inc.**, Forest Lake, MN (US)

Primary Examiner—Brian N. Vinson

(74) *Attorney, Agent, or Firm*—Merchant & Gould P.C.

(**) Term: **14 Years**

(57) **CLAIM**

(21) Appl. No.: **29/106,657**

The ornamental design for a pegable spinner bracket, as shown and described.

(22) Filed: **Jun. 18, 1999**

(51) **LOC (7) Cl.** **06-04**

(52) **U.S. Cl.** **D6/567**

(58) **Field of Search** D6/553, 566, 567,
D6/512-514; 206/376; 211/70.6, 62.1; 248/200,
220.21, 220.31, 309.1, 309.2, 902

DESCRIPTION

FIG. 1 is a front and top right perspective view of the invention.

FIG. 2 is a bottom plan view of the pegable spinner bracket of FIG. 1.

FIG. 3 is a top plan view of the pegable spinner bracket of FIG. 1.

FIG. 4 is a right side elevation view of the pegable spinner bracket of FIG. 1.

FIG. 5 is a left side elevation view of the pegable spinner bracket of FIG. 1.

FIG. 6 is a front elevation view of the pegable spinner bracket of FIG. 1; and,

FIG. 7 is a rear elevation view of the pegable spinner bracket of FIG. 1.

(56) **References Cited**

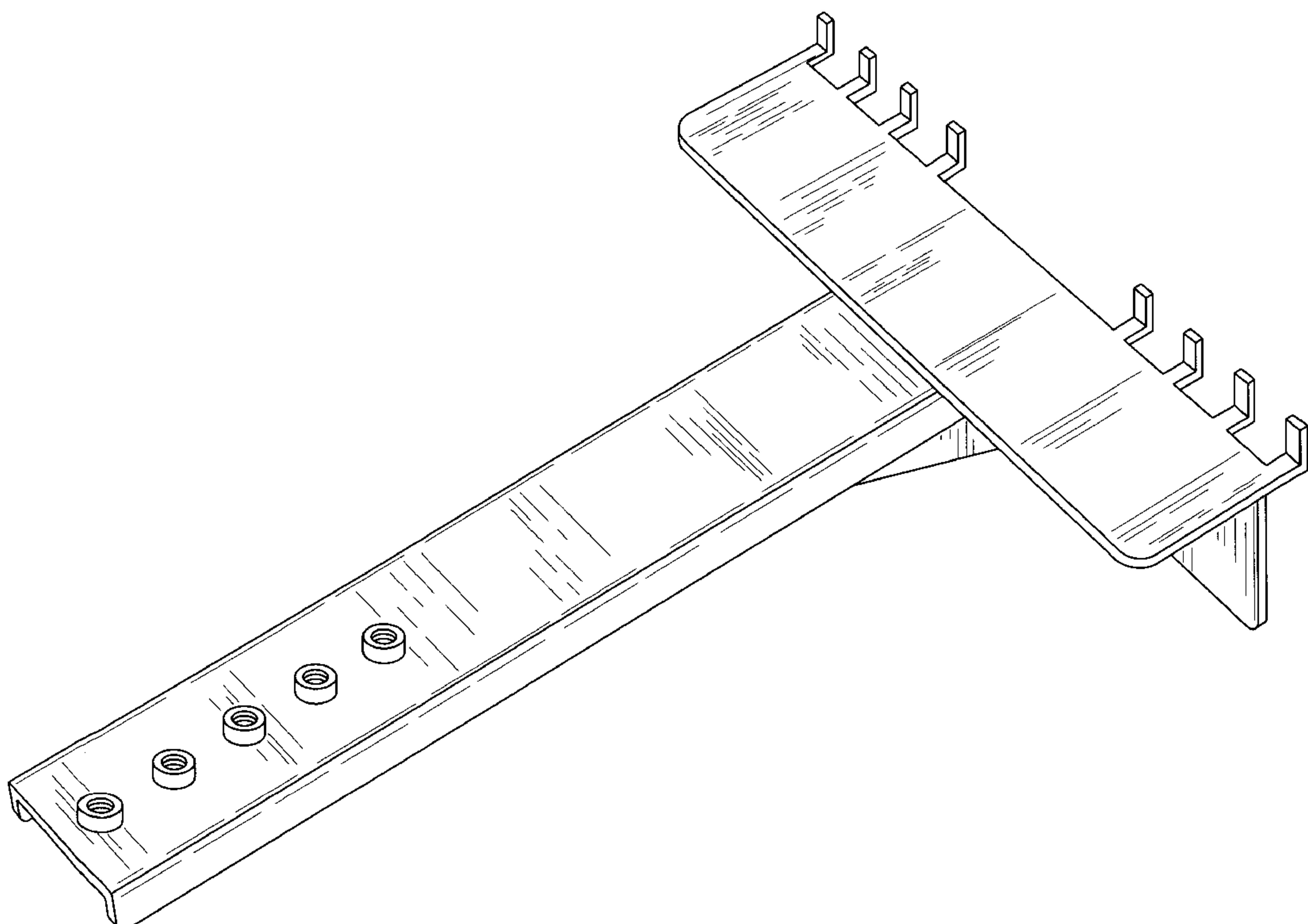
U.S. PATENT DOCUMENTS

D. 320,719	10/1991	Kolsrud et al. .	
D. 327,187	6/1992	Swon .	
D. 384,534	* 10/1997	Kiggins	D6/567
D. 391,107	* 2/1998	Zimmer	D6/567
D. 418,349	* 1/2000	Schumacher	D6/566
D. 423,269	* 4/2000	Laga et al.	D6/566
5,088,606	* 2/1992	Boas	248/220.31 X

OTHER PUBLICATIONS

“Now you can display more product where it belongs . . . in front of your customers on a Glynco® PGS® Display System.”, Glynco® Plastics Inc. of Minnetonka, Minnesota,

1 Claim, 5 Drawing Sheets



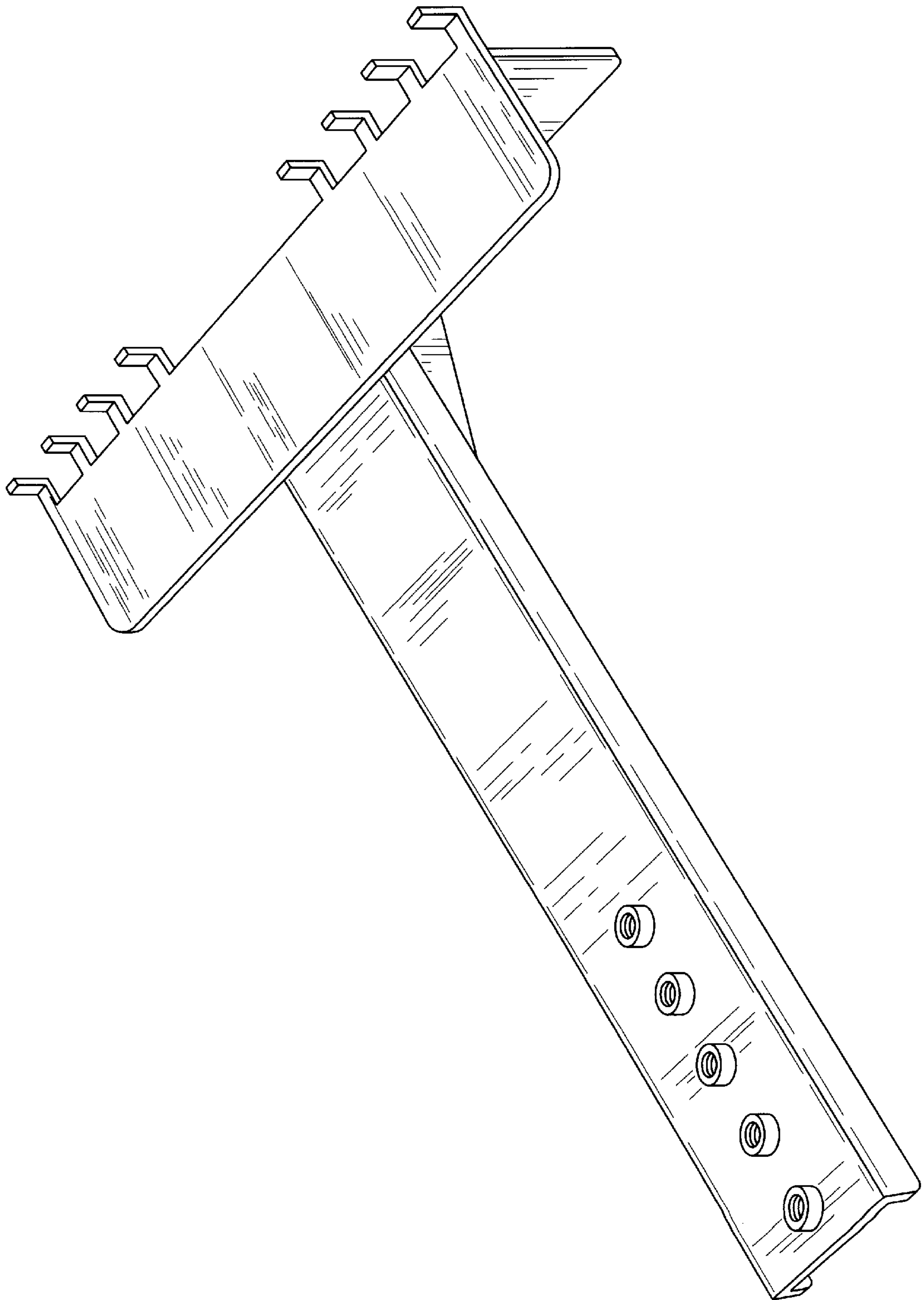


FIG. 1

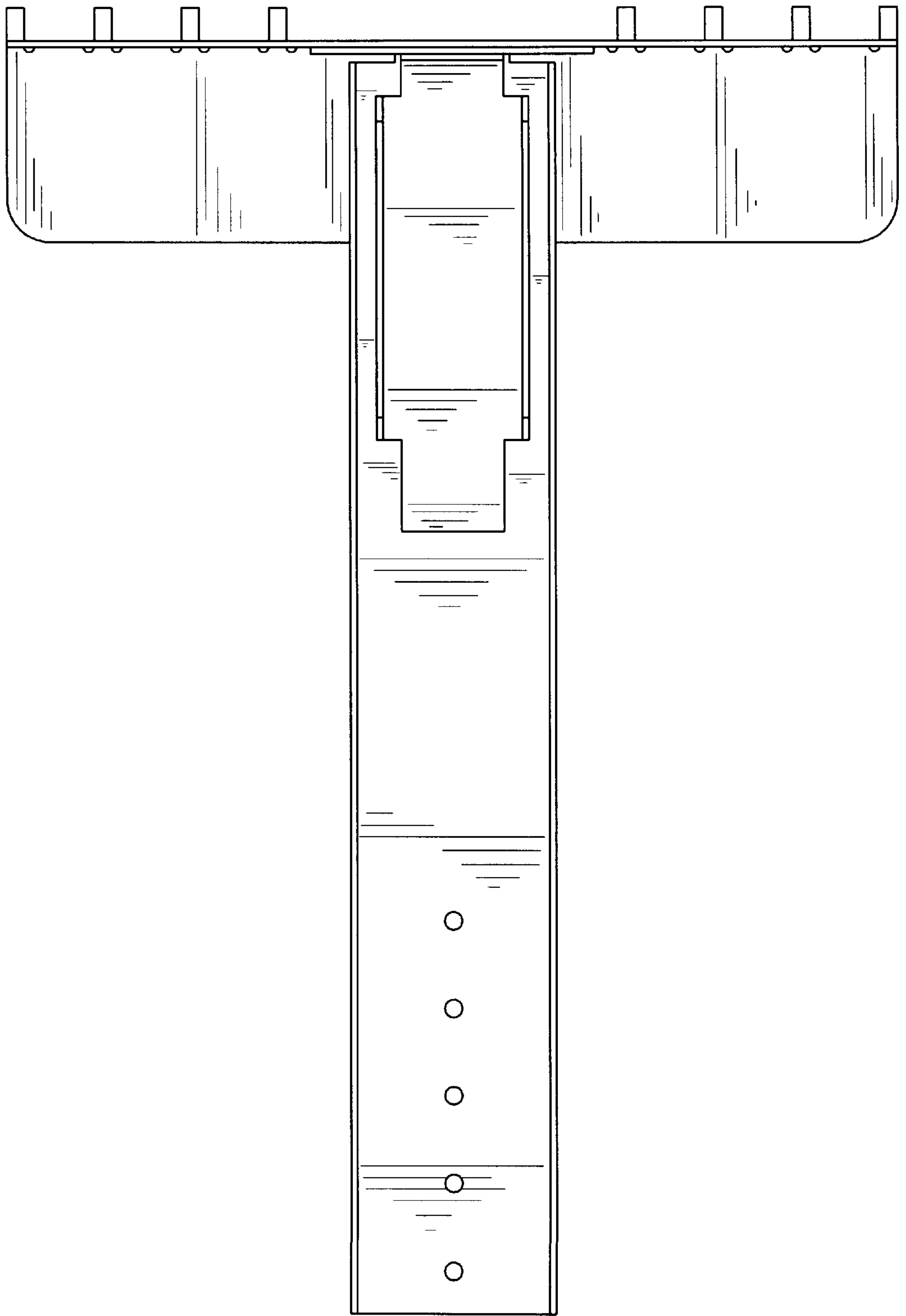


FIG. 2

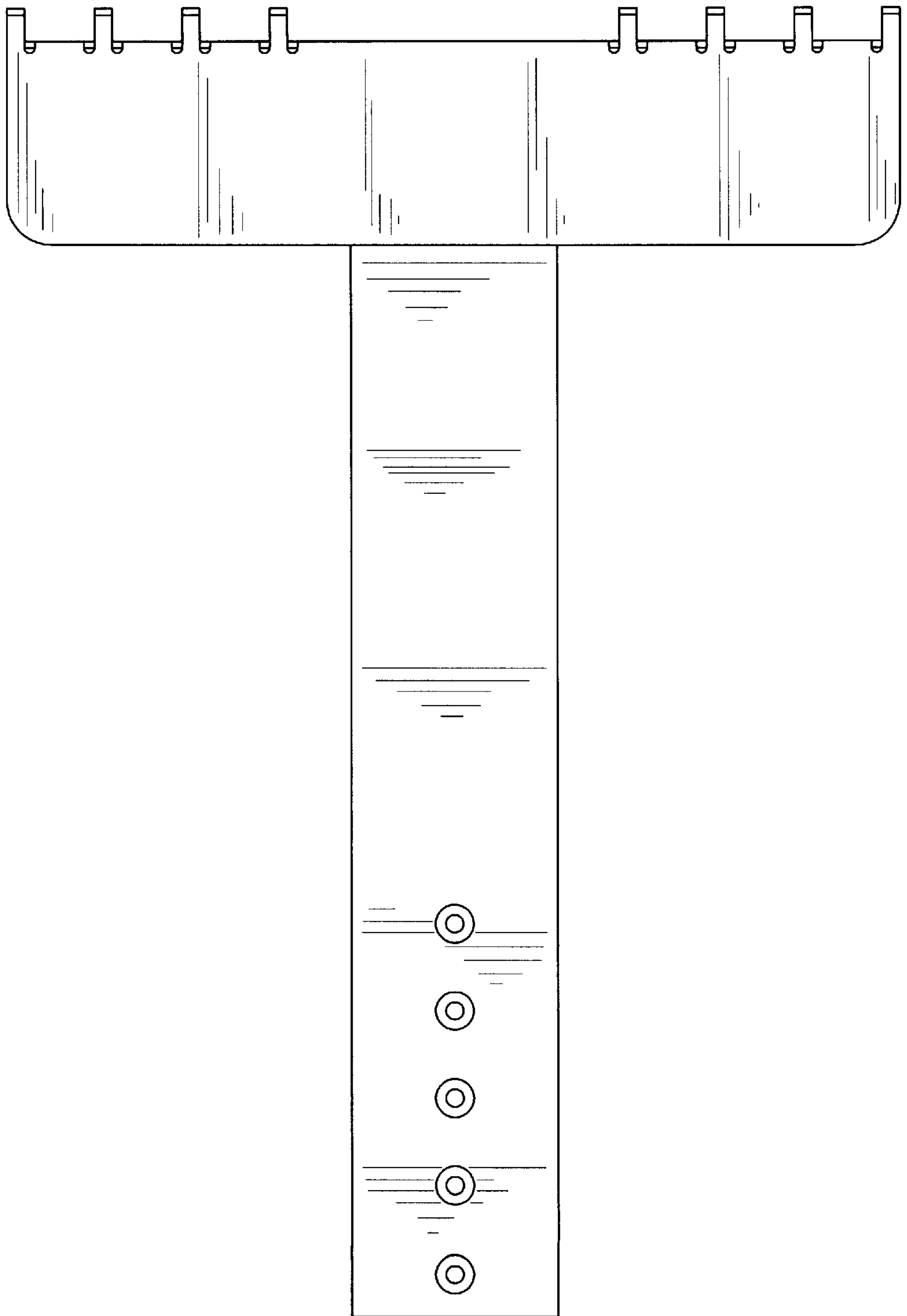


FIG. 3

FIG. 4

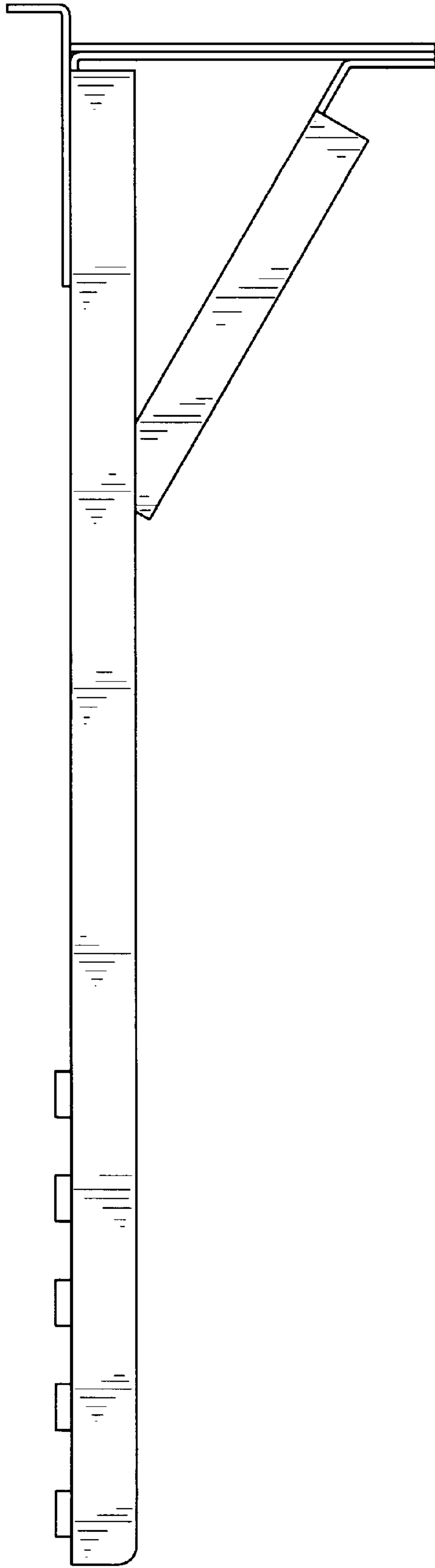


FIG. 5

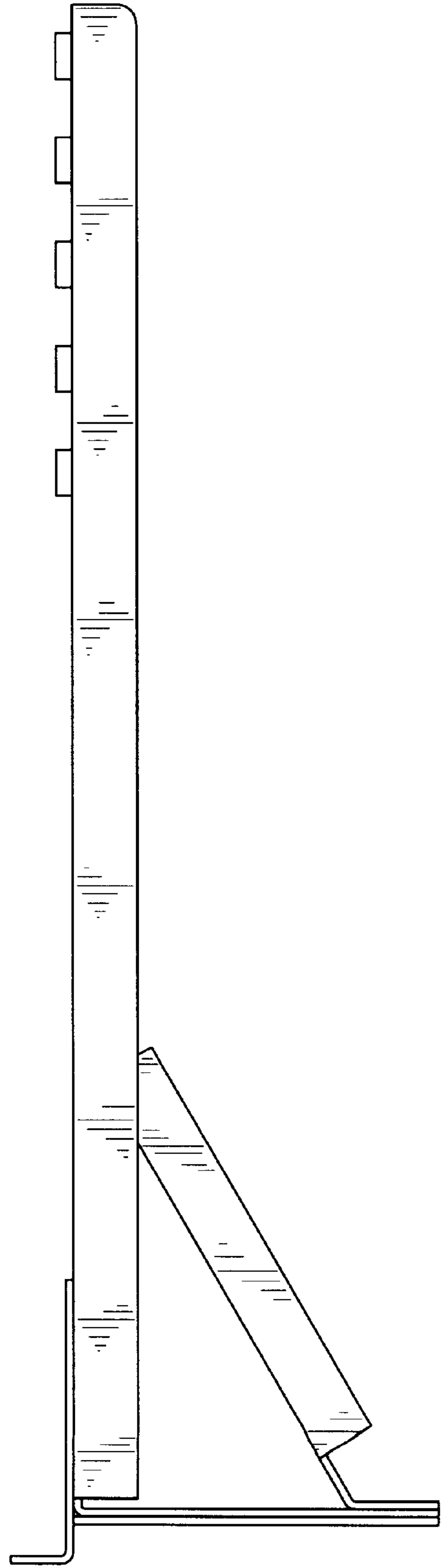


FIG. 6

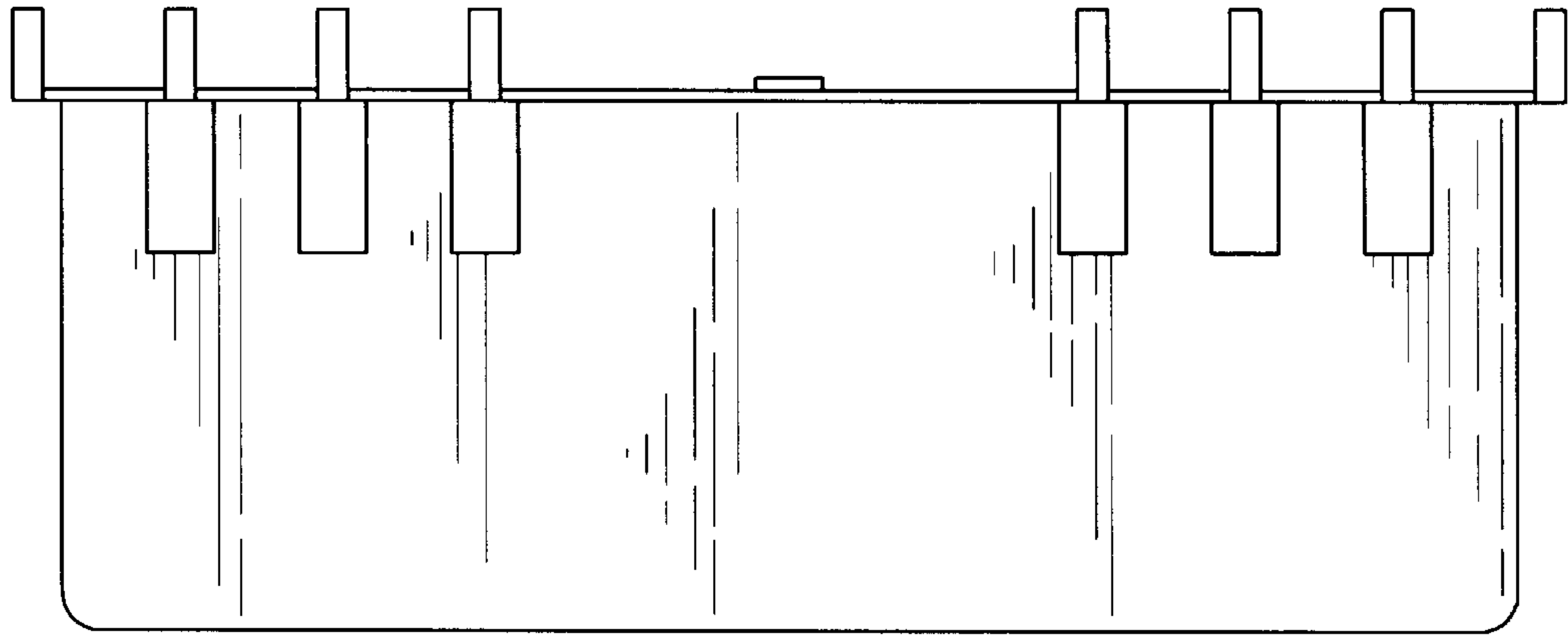


FIG. 7

