



US00D438414S

(12) **United States Design Patent**
Miller

(10) **Patent No.:** **US D438,414 S**

(45) **Date of Patent:** **** Mar. 6, 2001**

(54) **BATHROOM TISSUE COVER**

(76) Inventor: **Charles L. Miller**, 5363 W. Adams Blvd., Los Angeles, CA (US) 90016

(**) Term: **14 Years**

(21) Appl. No.: **29/121,761**

(22) Filed: **Apr. 12, 2000**

(51) **LOC (7) Cl.** **23-02**

(52) **U.S. Cl.** **D6/523**

(58) **Field of Search** D6/518, 523; 206/389, 206/398; 242/590, 598.6, 601; 312/34.8

(56) **References Cited**

U.S. PATENT DOCUMENTS

D. 261,452	*	10/1981	Chandler	D6/523
D. 303,890	*	10/1989	Pilot	D6/523
D. 393,770	*	4/1998	Daly	D6/523
3,467,456	*	9/1969	Chmela	242/598.6 X
4,427,159	*	1/1984	Miller et al.	242/598.6 X

* cited by examiner

Primary Examiner—Brian N. Vinson

(74) *Attorney, Agent, or Firm*—John D. Gugliotta

(57) **CLAIM**

The ornamental design for a bathroom tissue cover, as shown and described.

DESCRIPTION

FIG. 1 is a perspective view of a bathroom tissue cover, shown with a bathroom tissue roll and bathroom tissue roll dispenser, showing my new design;

FIG. 2 is a left side elevational view thereof, the opposite side being a mirror image;

FIG. 3 is a top plan view thereof;

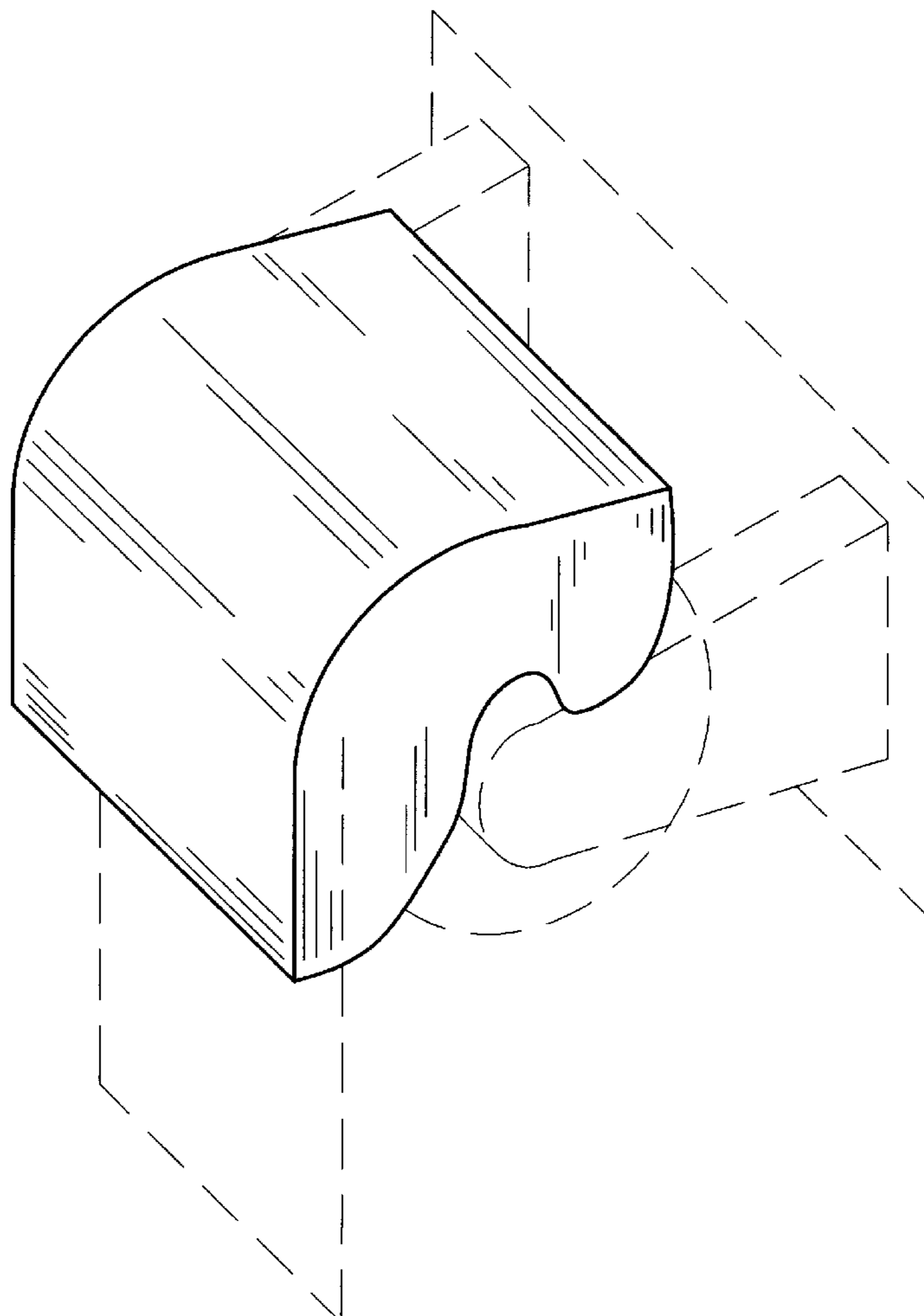
FIG. 4 is a bottom plan view thereof;

FIG. 5 is a rear view thereof; and,

FIG. 6 is a left side view thereof, shown with a bathroom tissue roll and bathroom tissue roll dispenser, the right side view being a mirror image thereof.

The dashed lines represent a bathroom tissue roll dispenser and bathroom tissue roll for use with the present design, and form no part of the claimed invention.

1 Claim, 3 Drawing Sheets



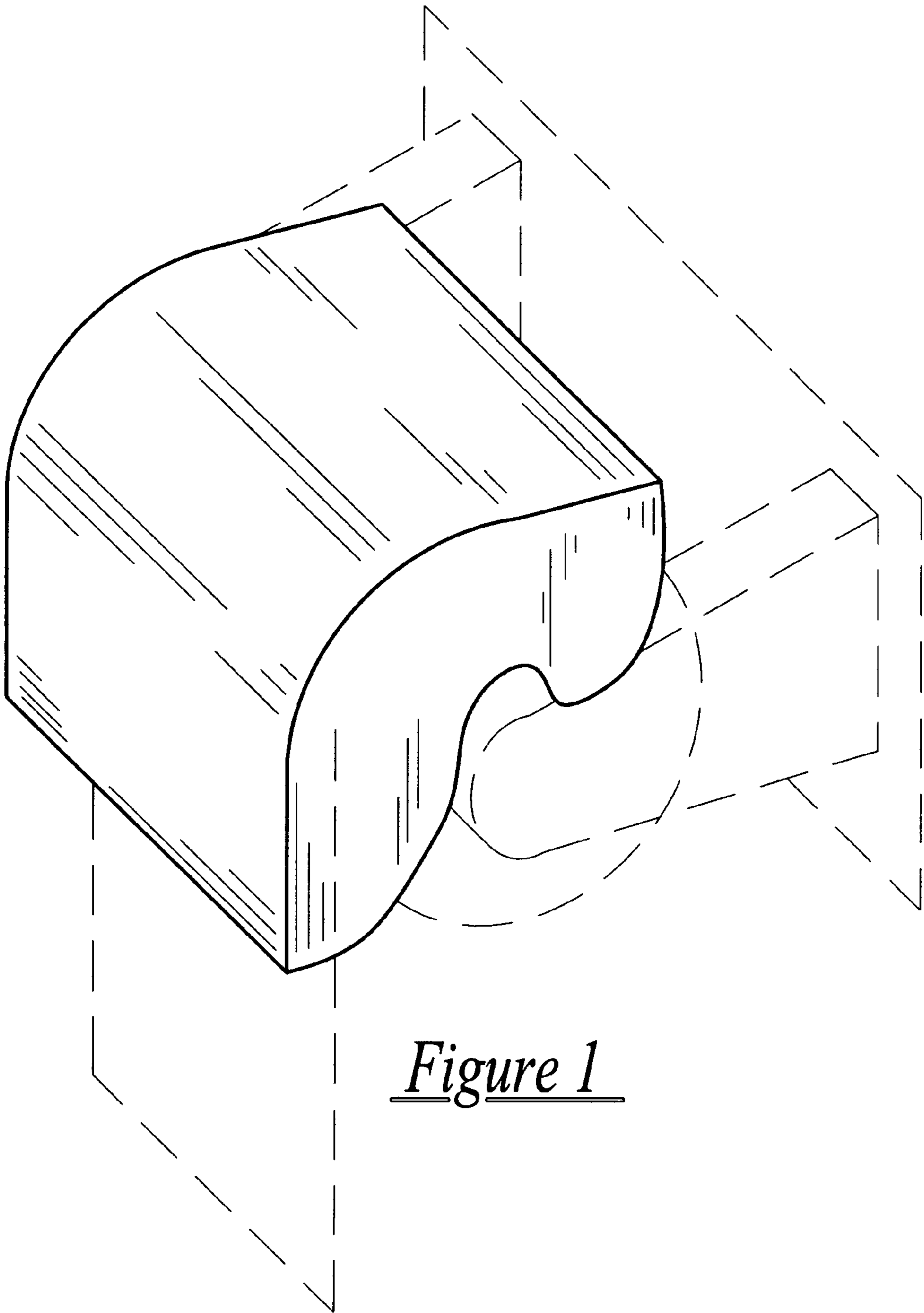


Figure 1

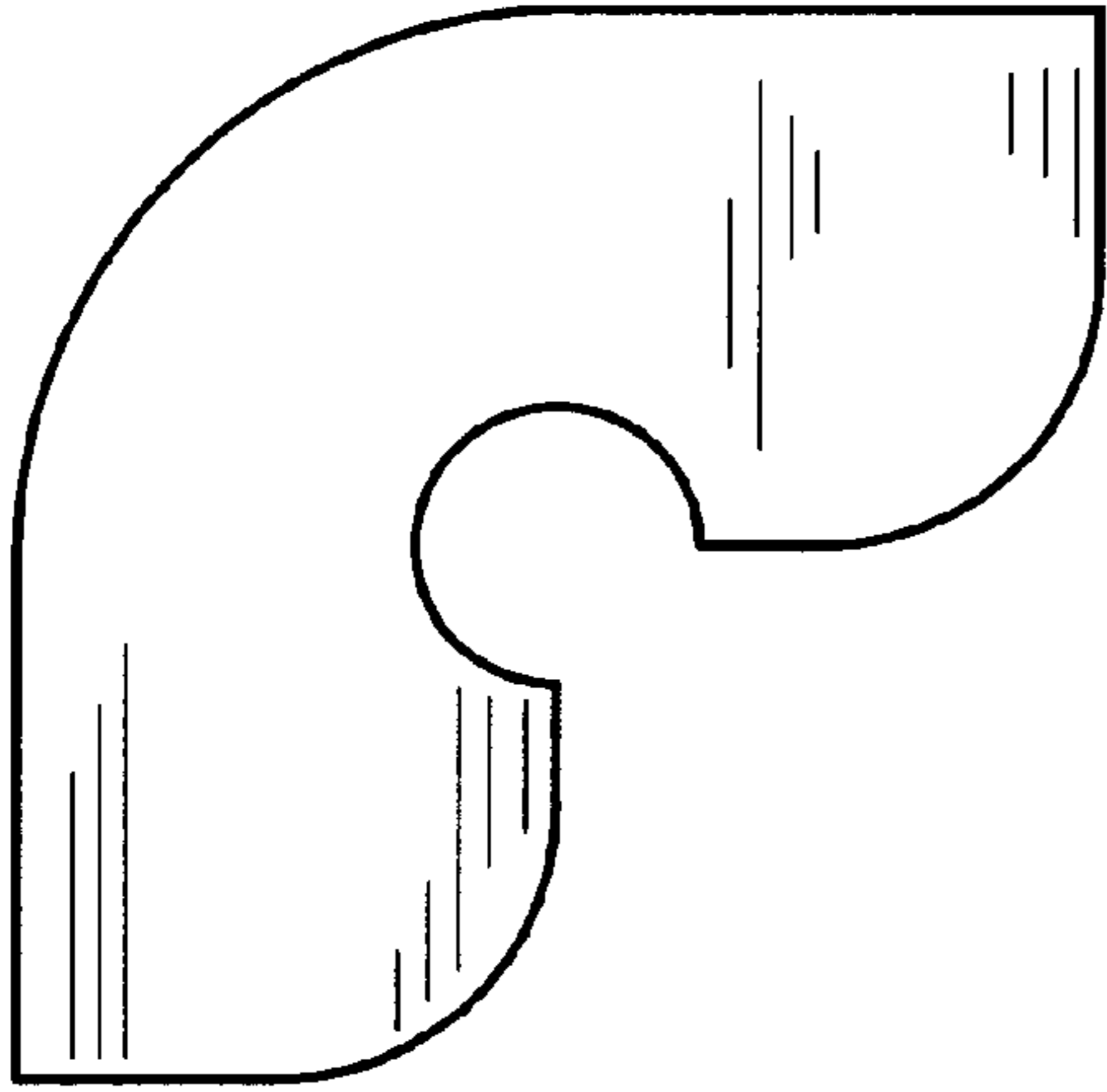


Figure 2

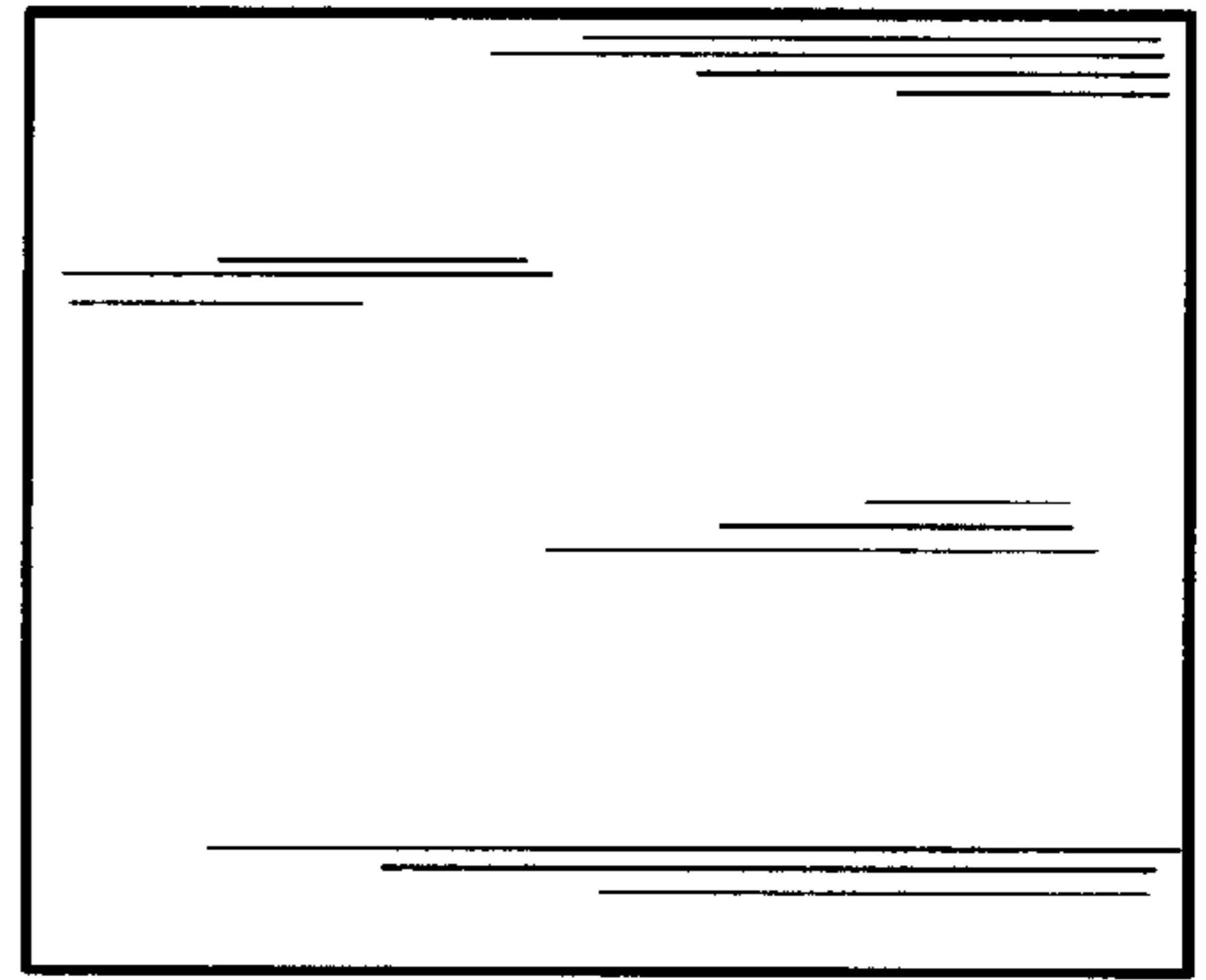


Figure 3

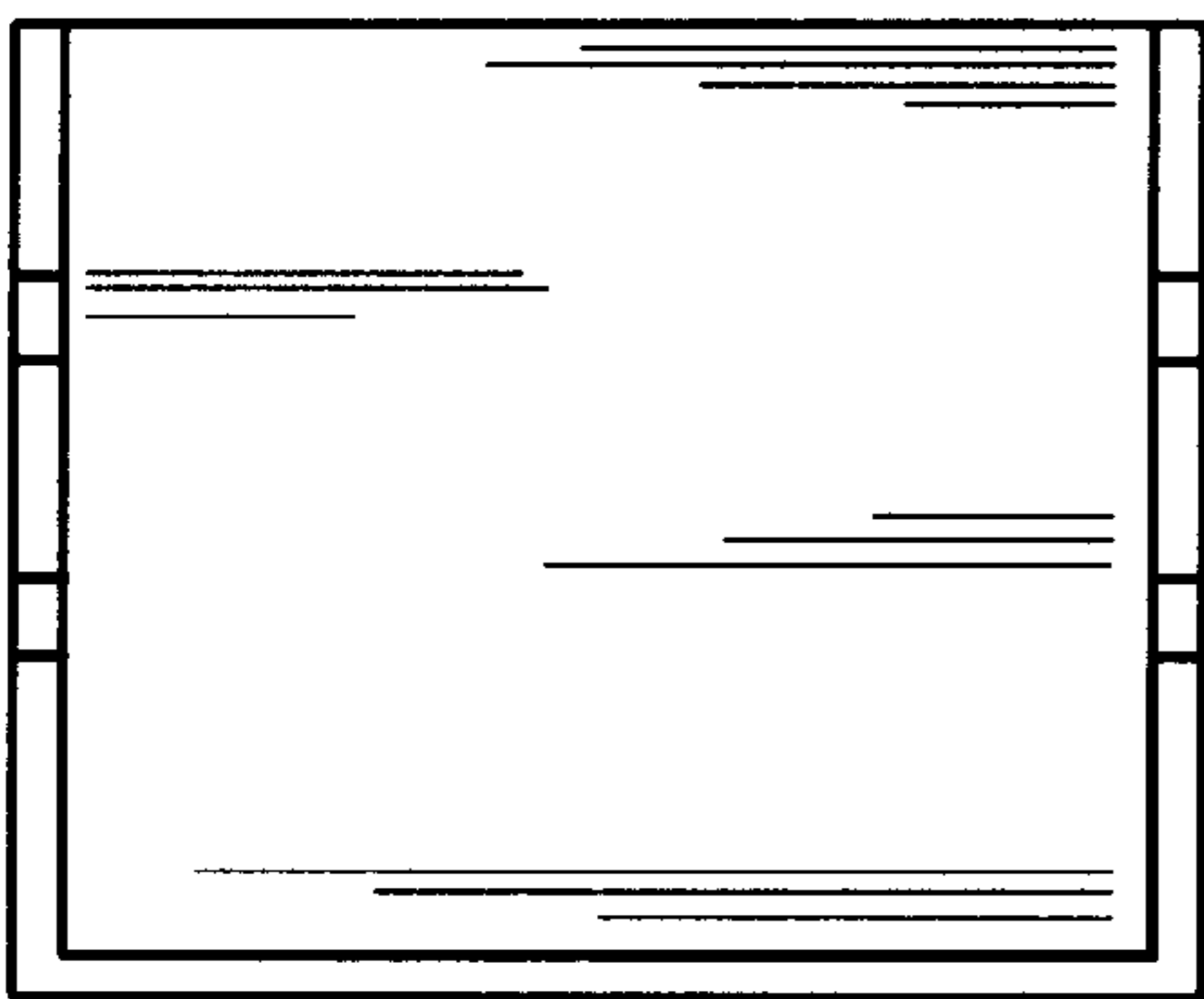


Figure 4

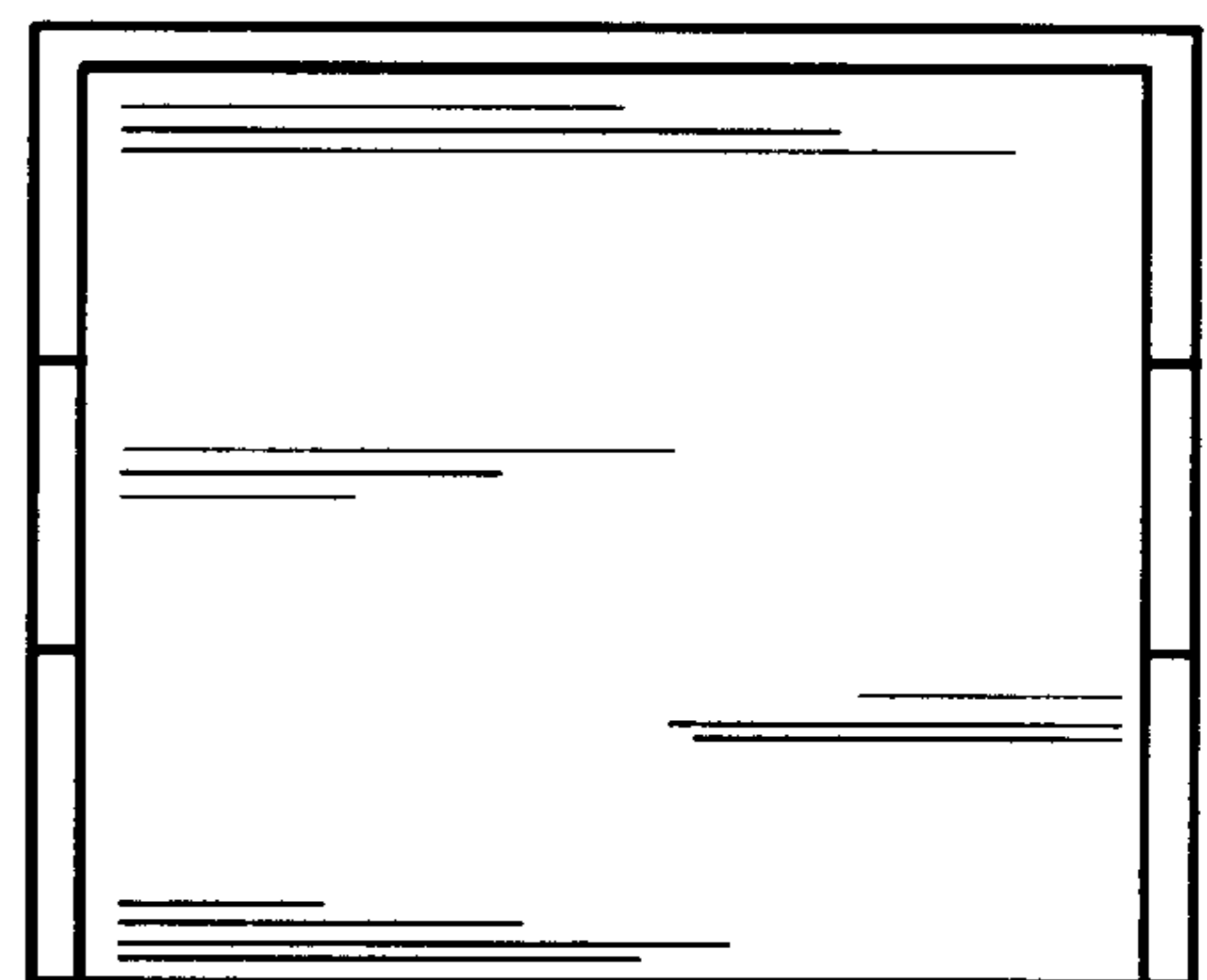


Figure 5

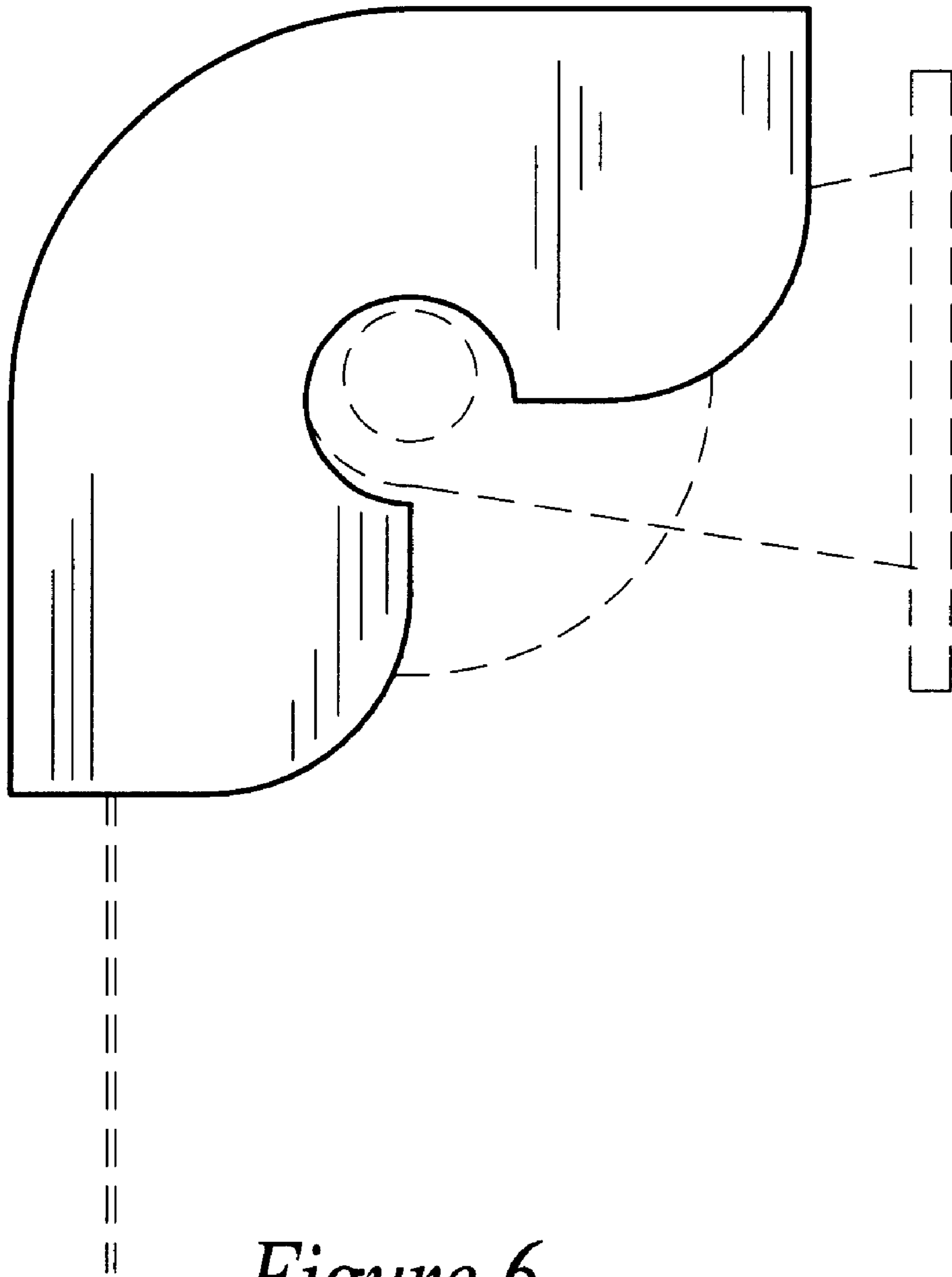


Figure 6