



US00D438413S

(12) **United States Design Patent**
Hawkins

(10) **Patent No.:** **US D438,413 S**

(45) **Date of Patent:** **** Mar. 6, 2001**

(54) **EXTENSIBLE RACK SYSTEM**

(76) Inventor: **Michael D. Hawkins**, 920 N. Amelia Ave., San Dimas, CA (US) 91773

(**) Term: **14 Years**

(21) Appl. No.: **29/120,391**

(22) Filed: **Mar. 20, 2000**

(51) **LOC (7) Cl.** **06-06**

(52) **U.S. Cl.** **D6/513**

(58) **Field of Search** D6/553, 567, 513;
211/85.31, 113; 248/304, 205.1, 215

(56) **References Cited**

U.S. PATENT DOCUMENTS

D. 273,645	*	5/1984	McEvers	D6/513
D. 320,713	*	10/1991	Greenhut et al.	D6/513
D. 416,733		11/1999	Reeves	.	
3,897,122	*	7/1975	McEvers	211/85.3 X

* cited by examiner

Primary Examiner—Brian N. Vinson

(74) *Attorney, Agent, or Firm*—Boniard I. Brown

(57) **CLAIM**

The ornamental design for an extensible rack system, as shown and described.

DESCRIPTION

FIG. 1 is a perspective view of an extensible rack system according to my new design;

FIG. 2 is a perspective view opposite from the perspective view of FIG. 1, showing in broken lines a cooperating member in a different position;

FIG. 3 is a front elevational view of the extensible rack system of FIG. 1;

FIG. 4 is a rear elevational view of the extensible rack system of FIG. 1;

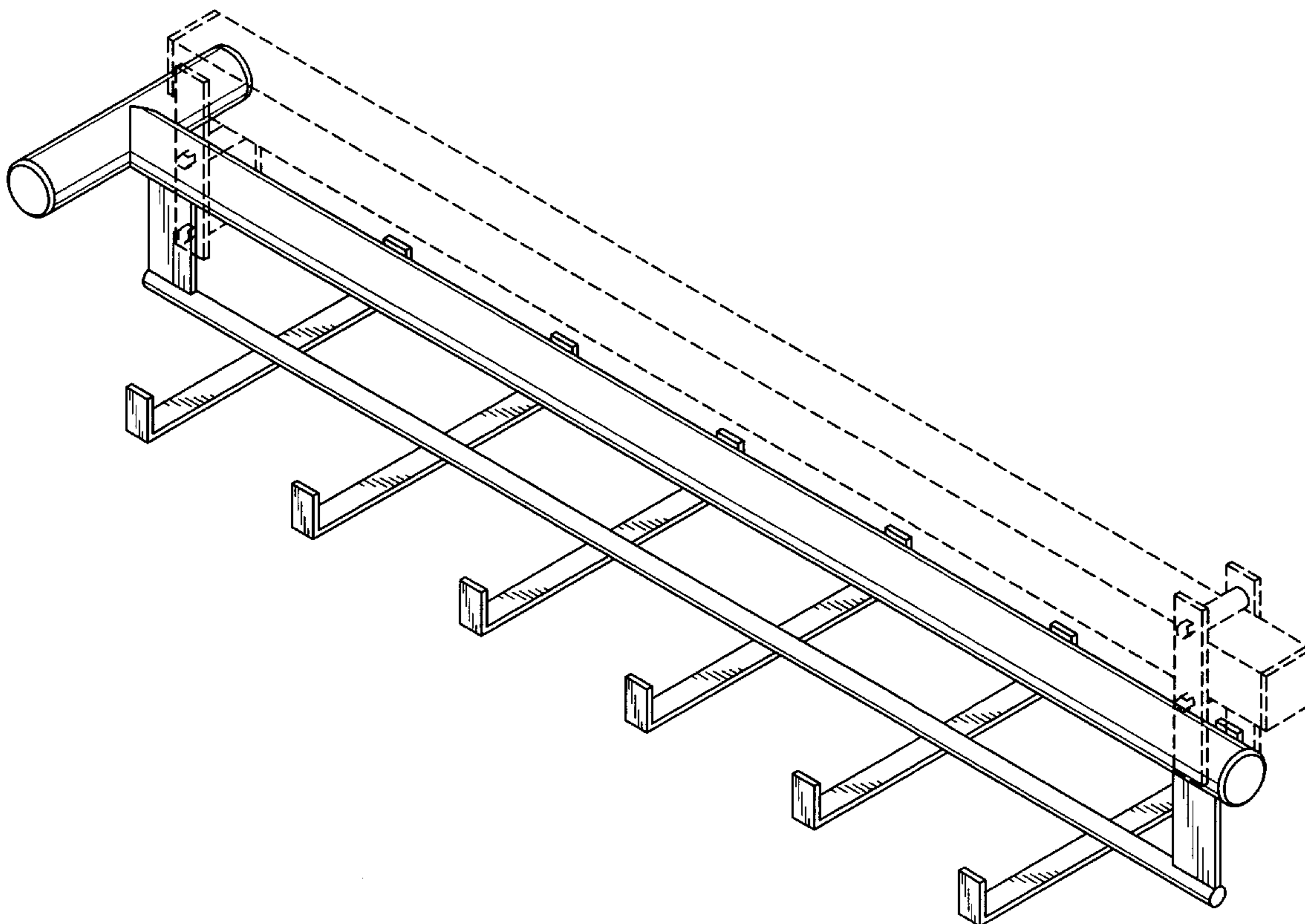
FIG. 5 is a bottom view thereof;

FIG. 6 is an end view thereof; and,

FIG. 7 is an end view opposite from that of FIG. 6.

The broken line showing in FIGS. 1 and 2 is for illustrative purposes only and forms no part of the claimed design.

1 Claim, 4 Drawing Sheets



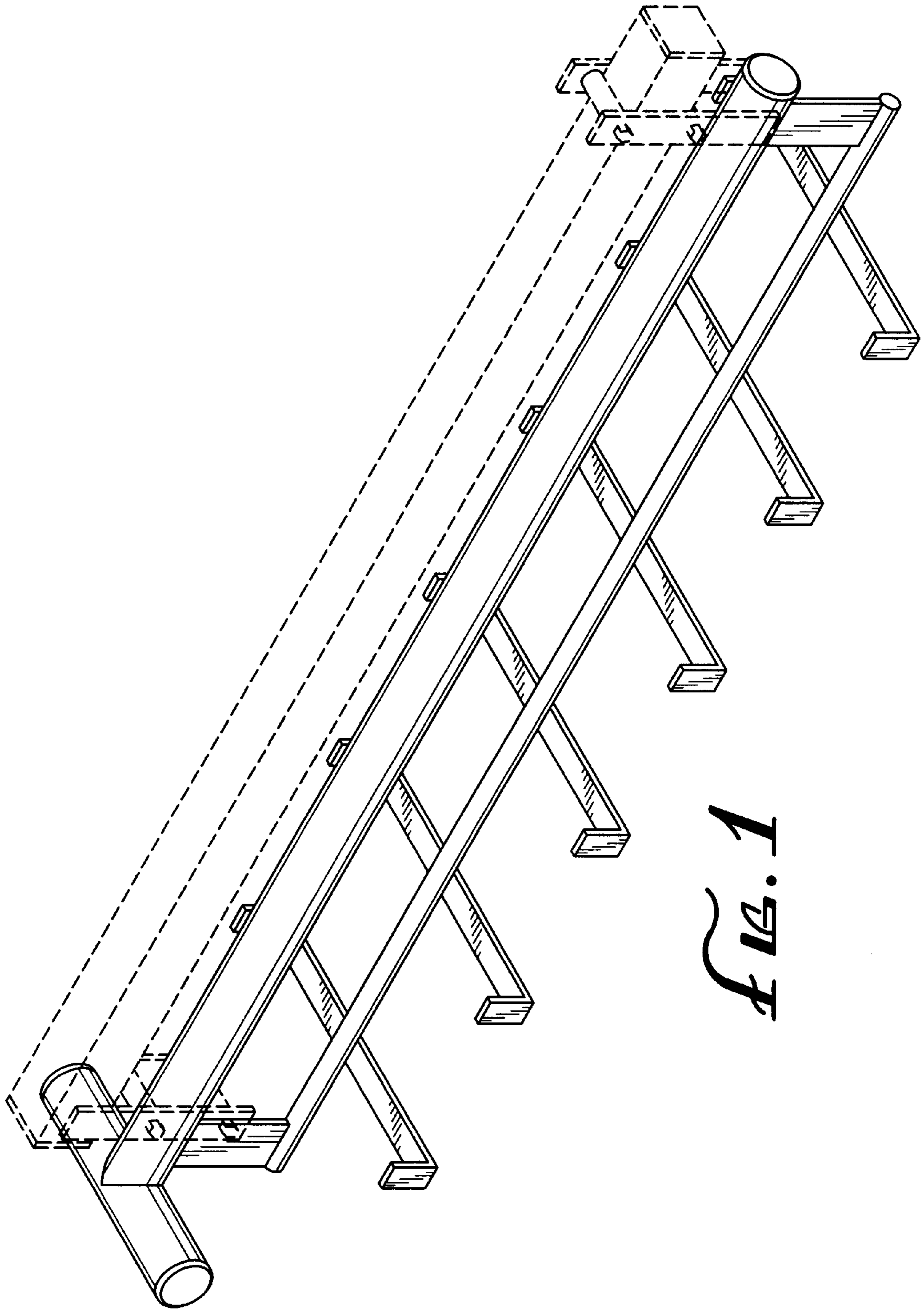


FIG. 1

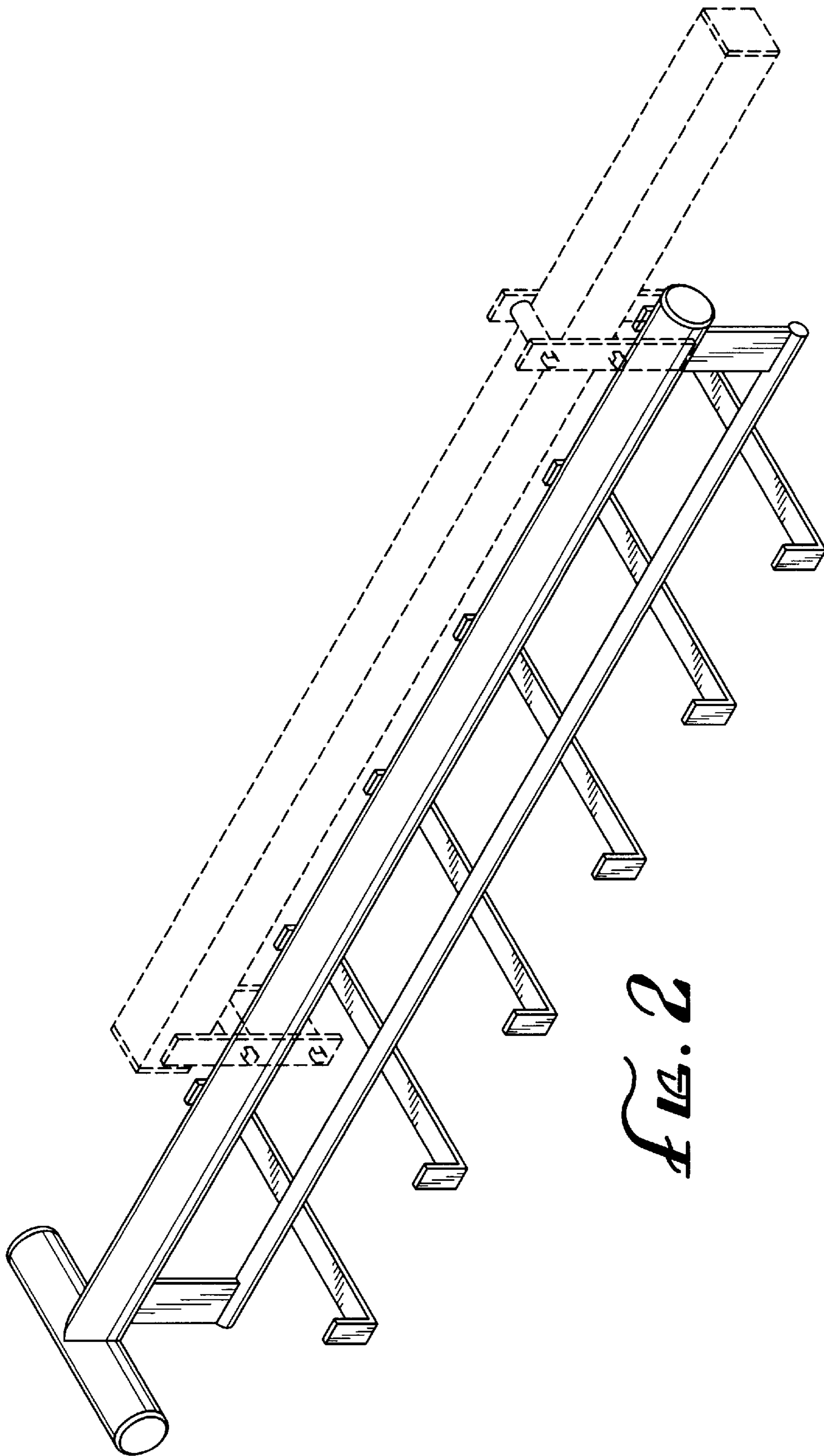


Fig. 2

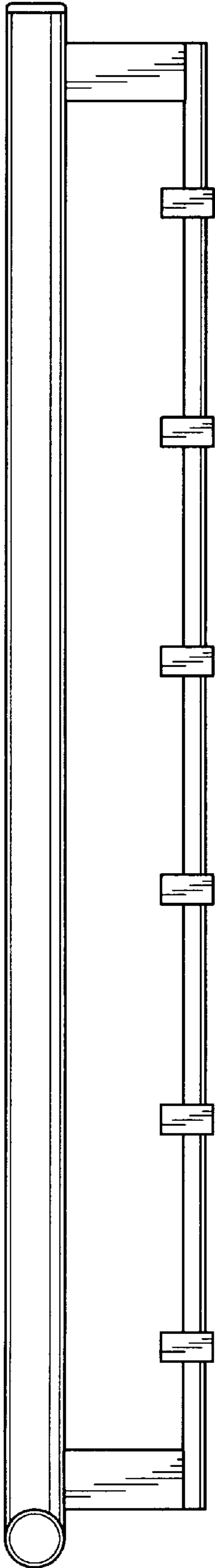


FIG. 3

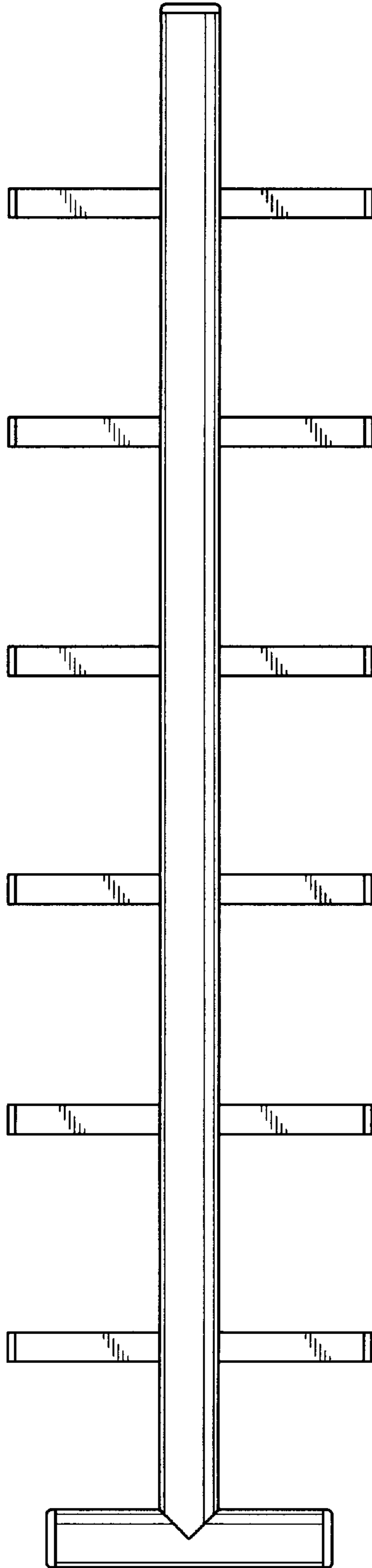


FIG. 4

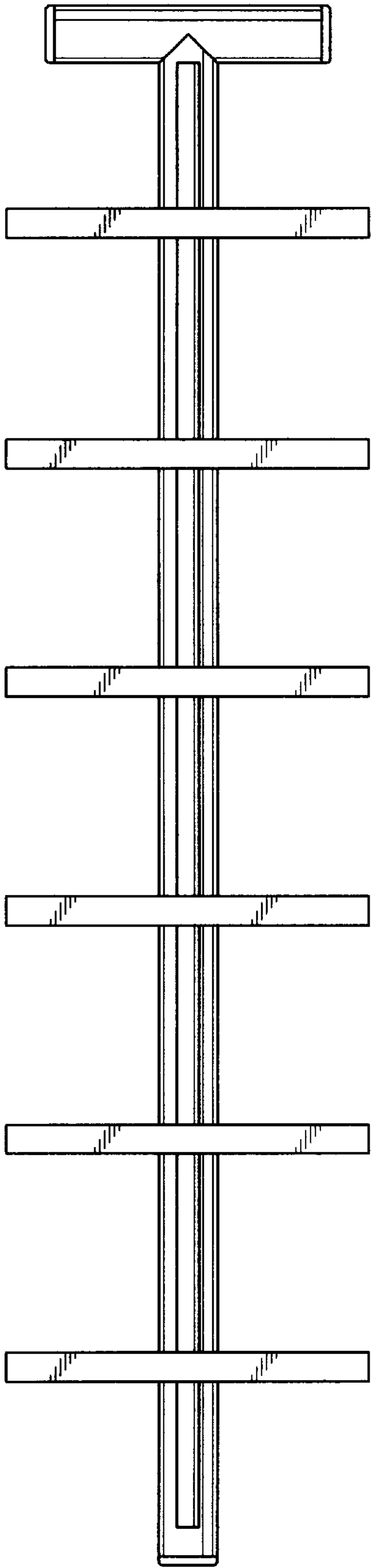


Fig. 5

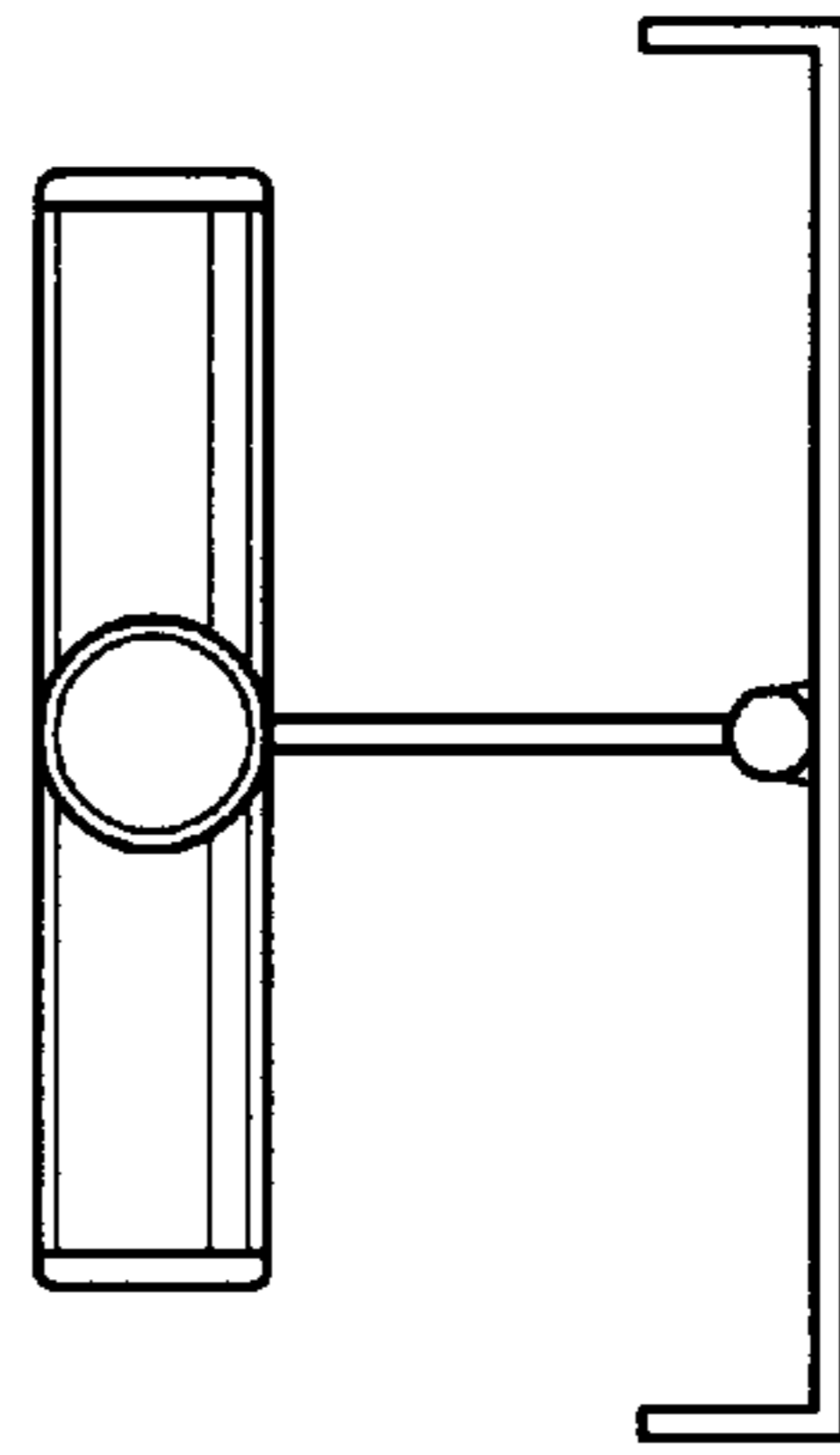


Fig. 7

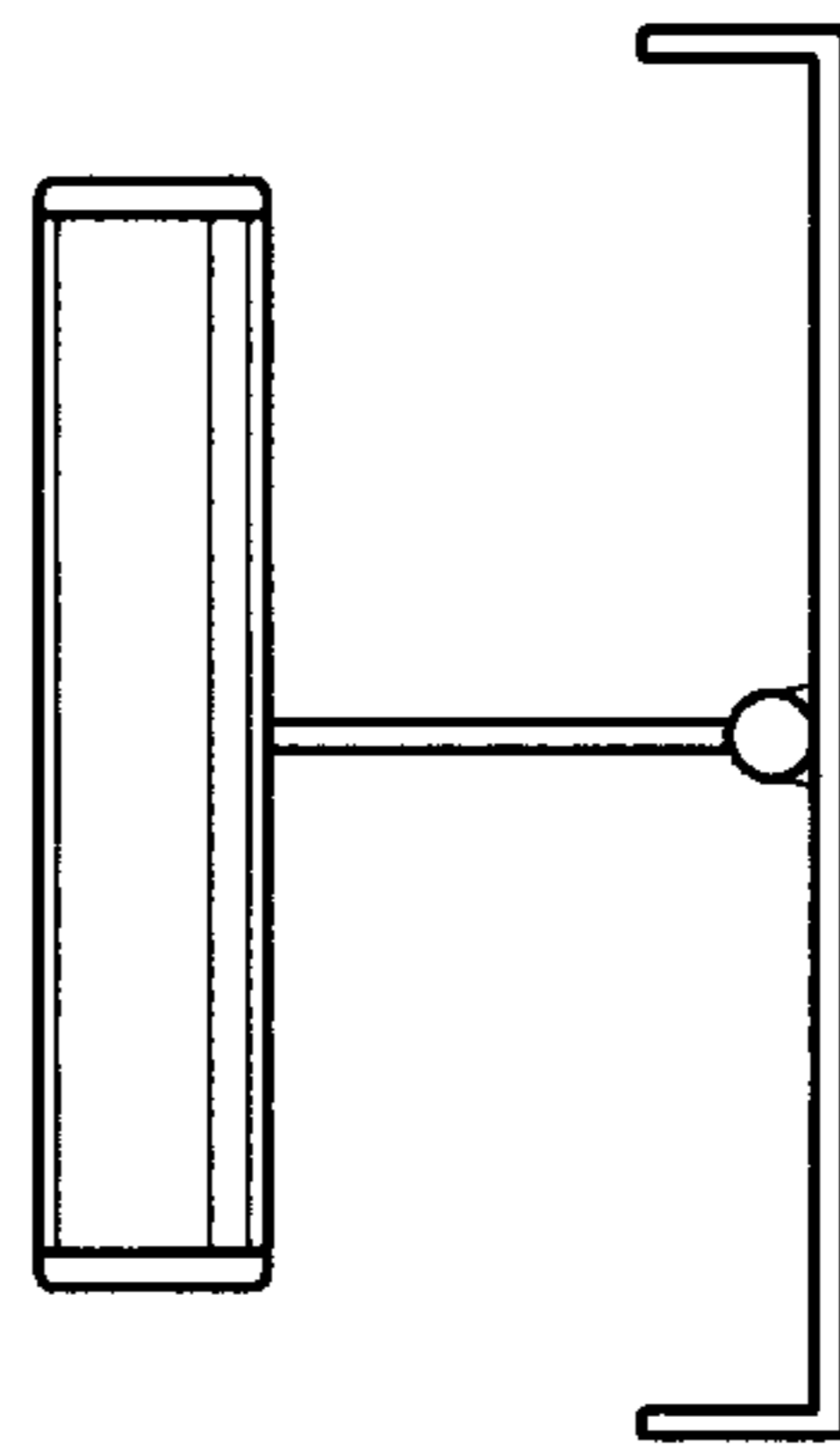


Fig. 8