



US00D438412S

(12) **United States Design Patent**
Dolan

(10) **Patent No.:** **US D438,412 S**

(45) **Date of Patent:** **** Mar. 6, 2001**

(54) **LOCKER ACCESSORY BAG**

(75) Inventor: **Vincent J. Dolan**, Morristown, NJ (US)

(73) Assignee: **The Locker Dog Co., Inc.**,
Morristown, NJ (US)

(**) Term: **14 Years**

(21) Appl. No.: **29/117,993**

(22) Filed: **Feb. 2, 2000**

(51) **LOC (7) Cl.** **06-06**

(52) **U.S. Cl.** **D6/513**

(58) **Field of Search** D6/512-514, 553,
D6/567; 211/86, 87, 113, 118; 206/6.1,
278, 286

(56) **References Cited**

U.S. PATENT DOCUMENTS

D. 300,398	*	3/1989	Krugman	D6/514
D. 321,789	*	11/1991	Martorella	D6/514 X
D. 332,697	*	1/1993	Schildkraut	D6/514 X
4,296,876	*	10/1981	Lefebvre	D6/513 X

* cited by examiner

Primary Examiner—Brian N. Vinson

(74) *Attorney, Agent, or Firm*—Gibbons, Del Deo, Dolan,
Griffinger & Vecchione

(57) **CLAIM**

The ornamental design for a locker accessory bag, as shown.

DESCRIPTION

FIG. 1 is a right front and top perspective view of a locker accessory bag when the locker accessory bag is folded up.

FIG. 2 is a right front and top perspective view of the locker accessory bag when it is open and fully extended.

FIG. 3 is a front elevational view of the locker accessory bag open and fully extended.

FIG. 4 is a rear elevational view of the locker accessory bag open and fully extended.

FIG. 5 is a right side elevational view of the locker accessory bag open and fully extended.

FIG. 6 is a left side elevational view of the locker accessory bag open and fully extended.

FIG. 7 is a top plan view of the locker accessory bag open and fully extended; and,

FIG. 8 is a bottom plan view of the locker accessory bag open and fully extended.

1 Claim, 4 Drawing Sheets

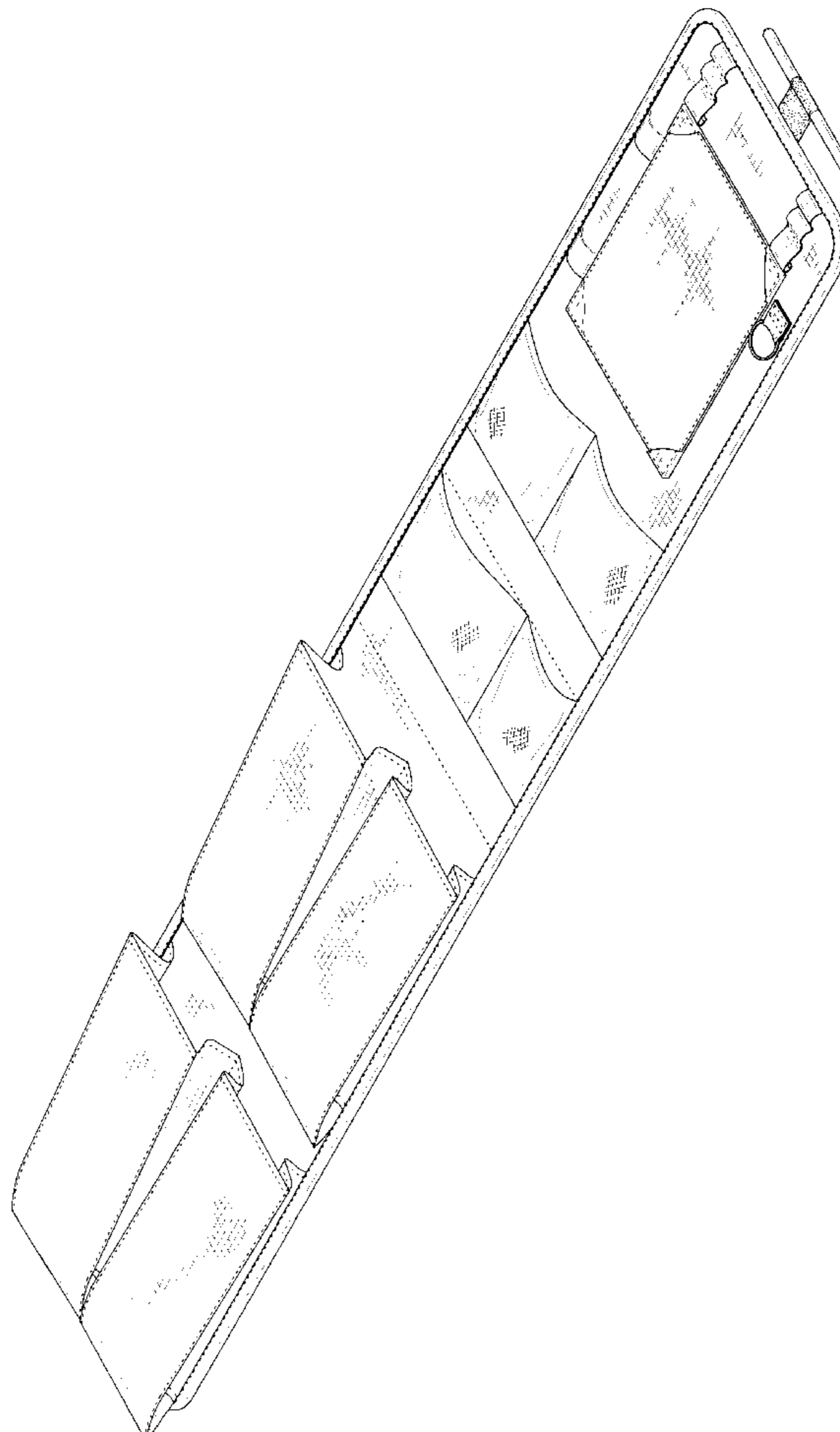


FIG. 1

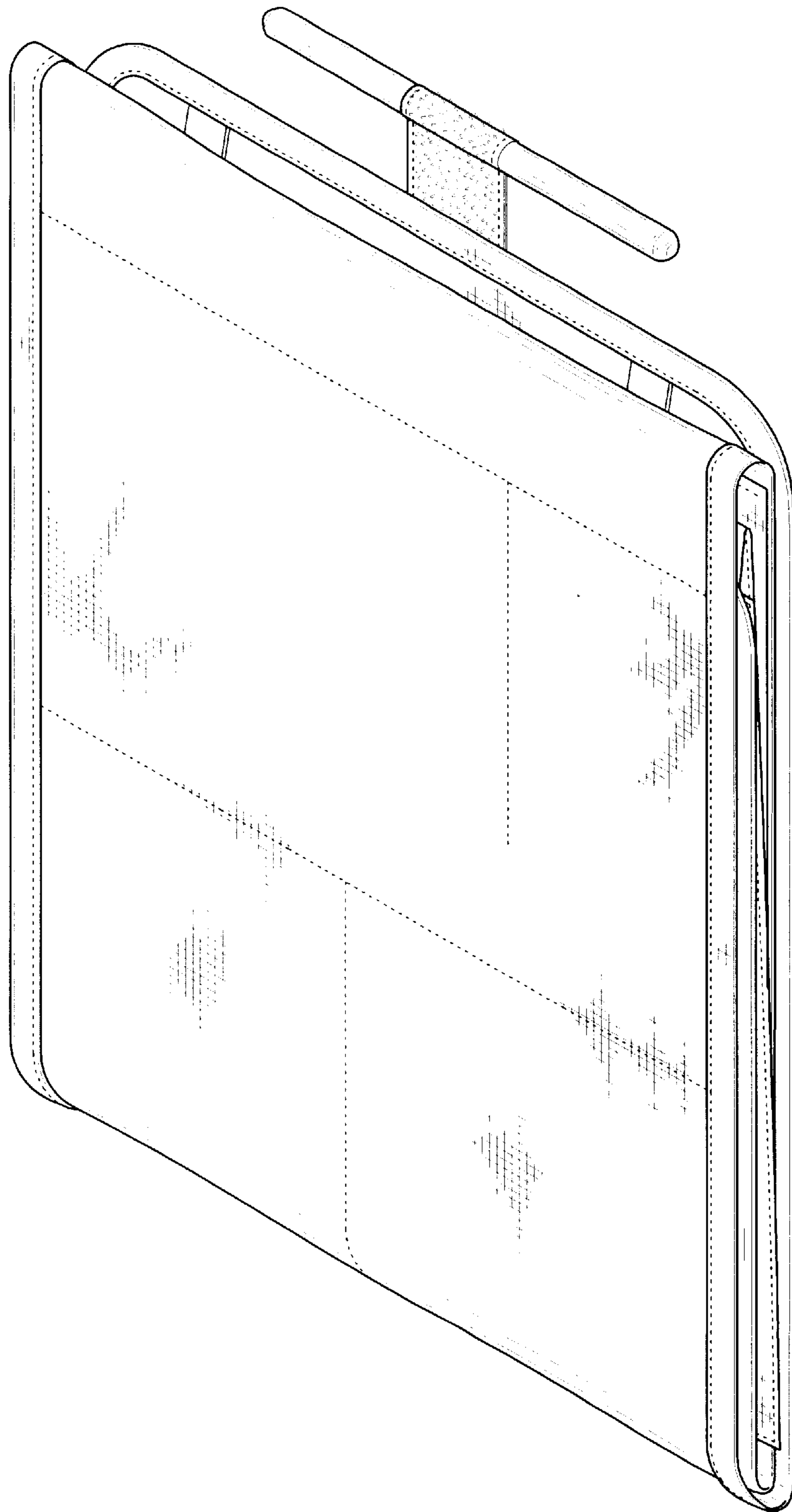


FIG. 2

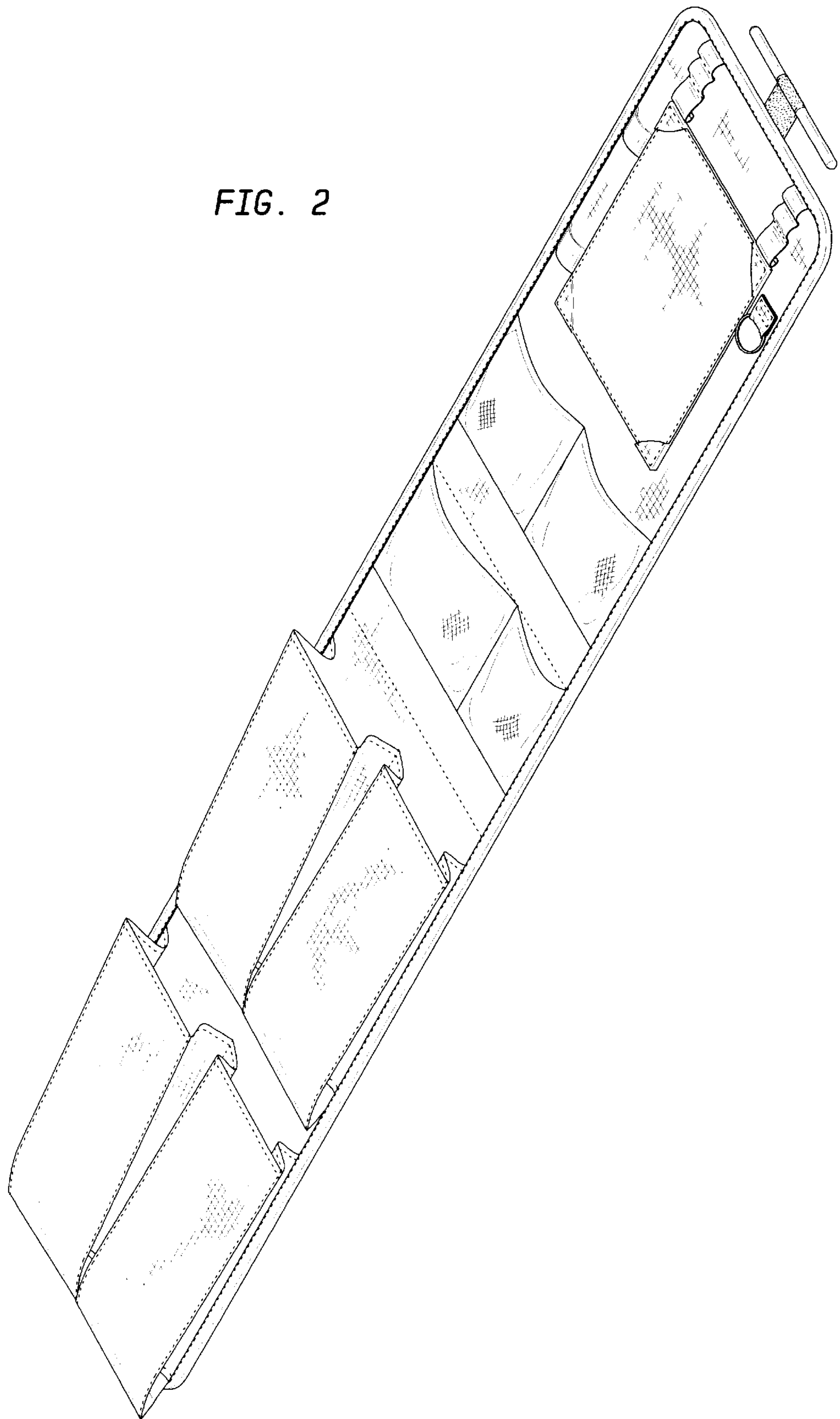


FIG. 3

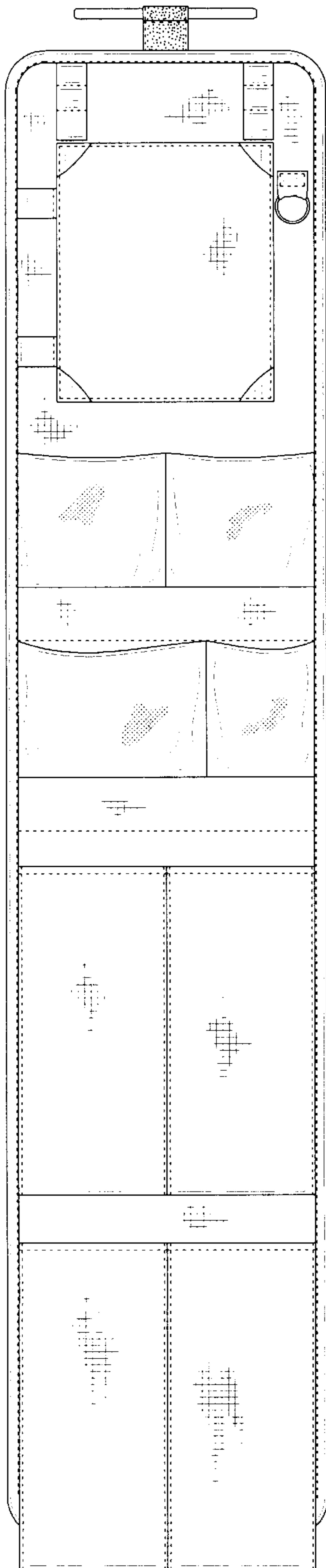


FIG. 4

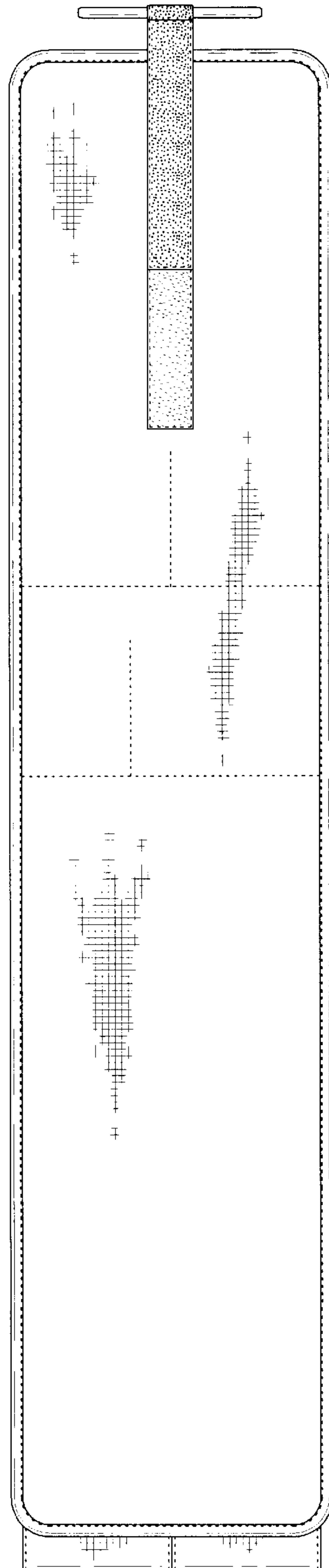


FIG. 5



FIG. 6

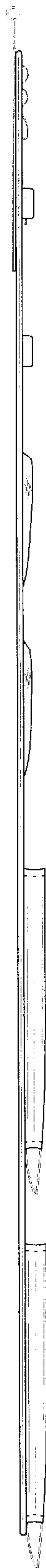


FIG. 7



FIG. 8

