



US00D438410S

(12) **United States Design Patent**
Mancini

(10) **Patent No.:** **US D438,410 S**

(45) **Date of Patent:** **** Mar. 6, 2001**

(54) **TABLE PEDESTAL**

(75) **Inventor:** **Massimo Mancini, Jesi (IT)**

(73) **Assignee:** **Bemis Manufacturing Company,**
Sheboygan Falls, WI (US)

(**) **Term:** **14 Years**

(21) **Appl. No.:** **29/116,209**

(22) **Filed:** **Dec. 29, 1999**

(51) **LOC (7) Cl.** **06-06**

(52) **U.S. Cl.** **D6/498**

(58) **Field of Search** D6/480-489, 495-499;
108/150, 151, 153.1, 156, 157.1, 161; 248/188,
188.1, 188.7

1,952,665 3/1934 Failey .
2,570,634 10/1951 Bartschy .
4,941,413 7/1990 Vanderminde .

OTHER PUBLICATIONS

Grosfillex Contract, p. 33, pedestal base at top right.
Brown Jordan c1986, p. 57, #1735-4800 at lower right.
Brown Jordan, table #1525-2901 at top right.

* cited by examiner

Primary Examiner—Janice E. Seeger

(74) *Attorney, Agent, or Firm*—Michael Best & Friedrich
LLP

(57) **CLAIM**

The ornamental design for a table pedestal, as shown and
described.

(56) **References Cited**

U.S. PATENT DOCUMENTS

D. 279,634	7/1985	Platner .	
D. 299,196	1/1989	Frinier .	
D. 334,313	3/1993	Grosfillex .	
D. 337,010	7/1993	Bennett .	
D. 346,080	4/1994	Weis .	
D. 368,193	3/1996	Walters .	
D. 386,332	* 11/1997	Grosfillex	D6/498
D. 393,764	4/1998	Hundertmark .	
D. 394,568	5/1998	Westerburgen .	
D. 399,681	* 10/1998	Grosfillex	D6/480
D. 399,687	* 10/1998	Grosfillex	D6/498
D. 406,206	* 3/1999	Grosfillex	D6/480

DESCRIPTION

FIG. 1 is a perspective view of a table pedestal showing my
new design.

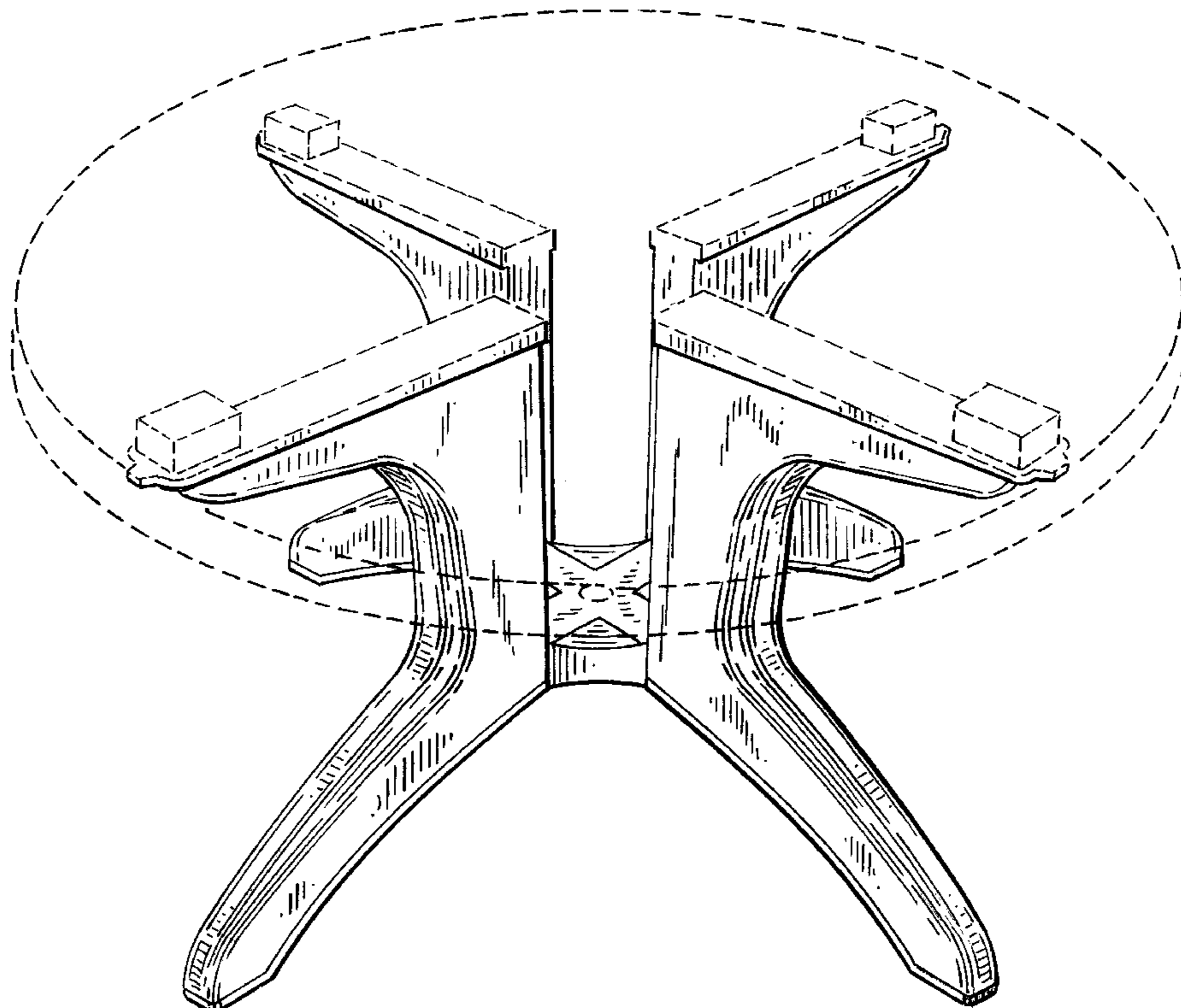
FIG. 2 is a top plan view thereof.

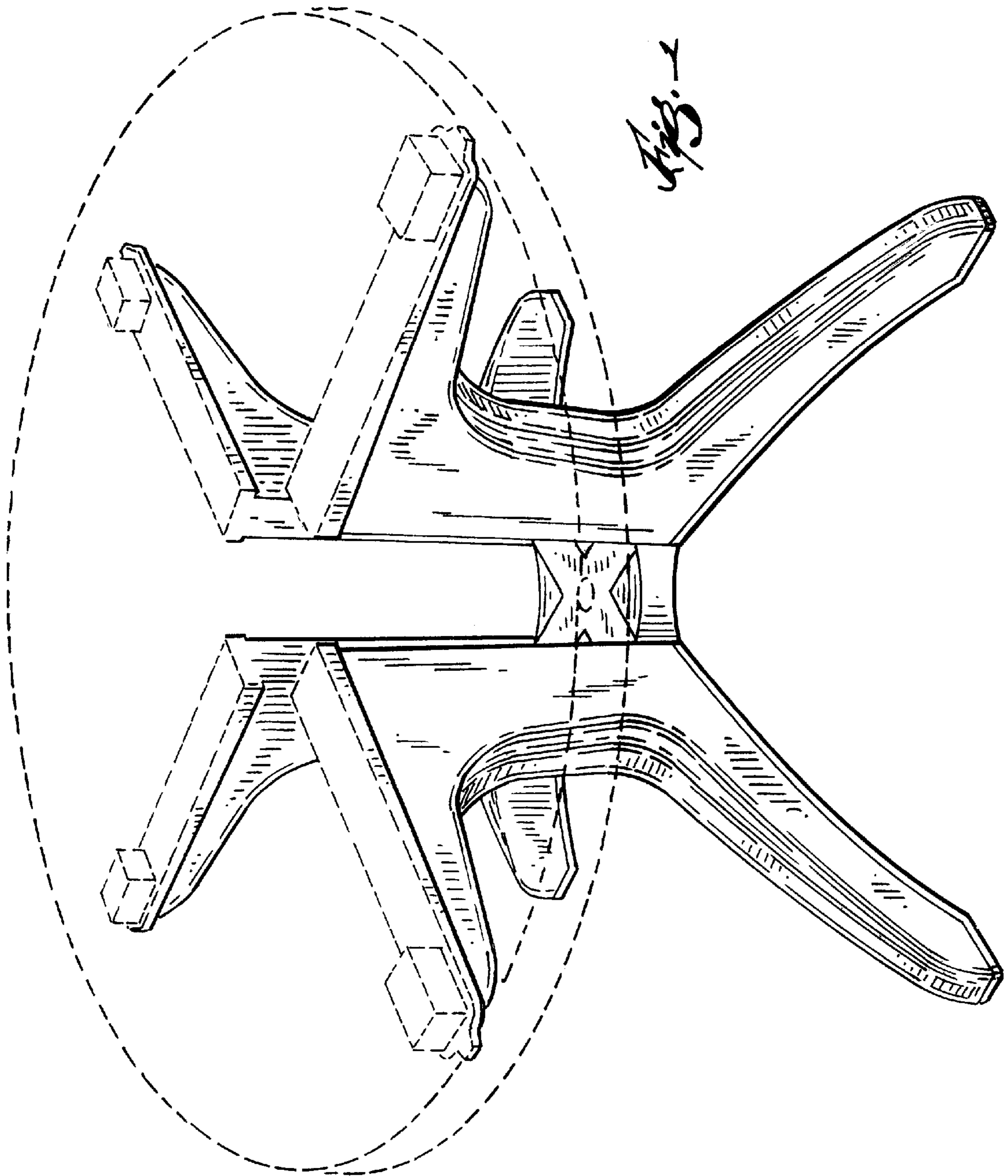
FIG. 3 is a front elevational view thereof, the rear, right and
left side views being identical to that shown.

FIG. 4 is a view taken along line 4-4 in FIG. 3; and,
FIG. 5 is a view taken along line 5-5 in FIG. 3.

The bottom surfaces of the table pedestals are not part of the
design sought to be patented and are therefore not shown.
The portions of the table pedestals shown in broken lines are
not part of the design sought to be patented.

1 Claim, 4 Drawing Sheets





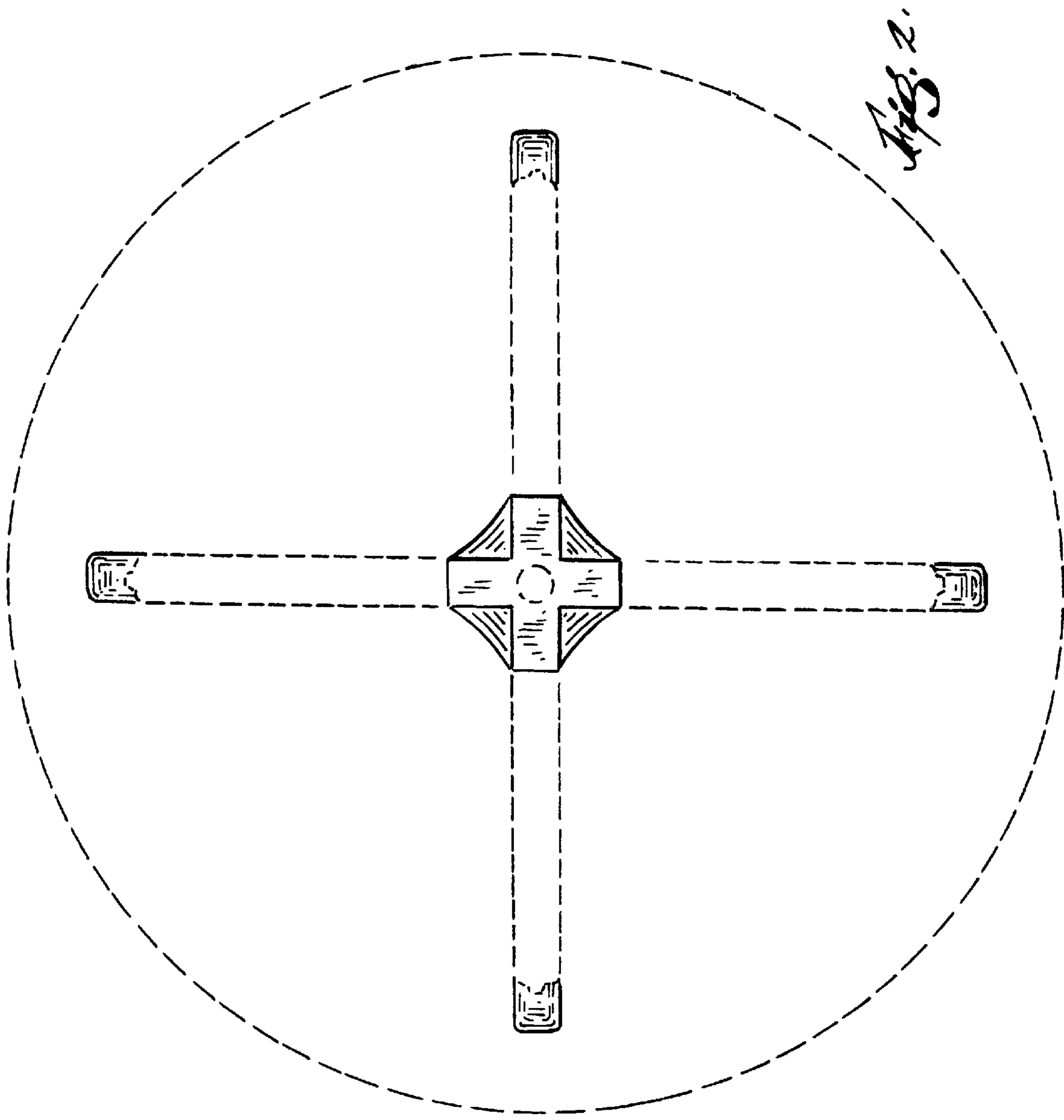
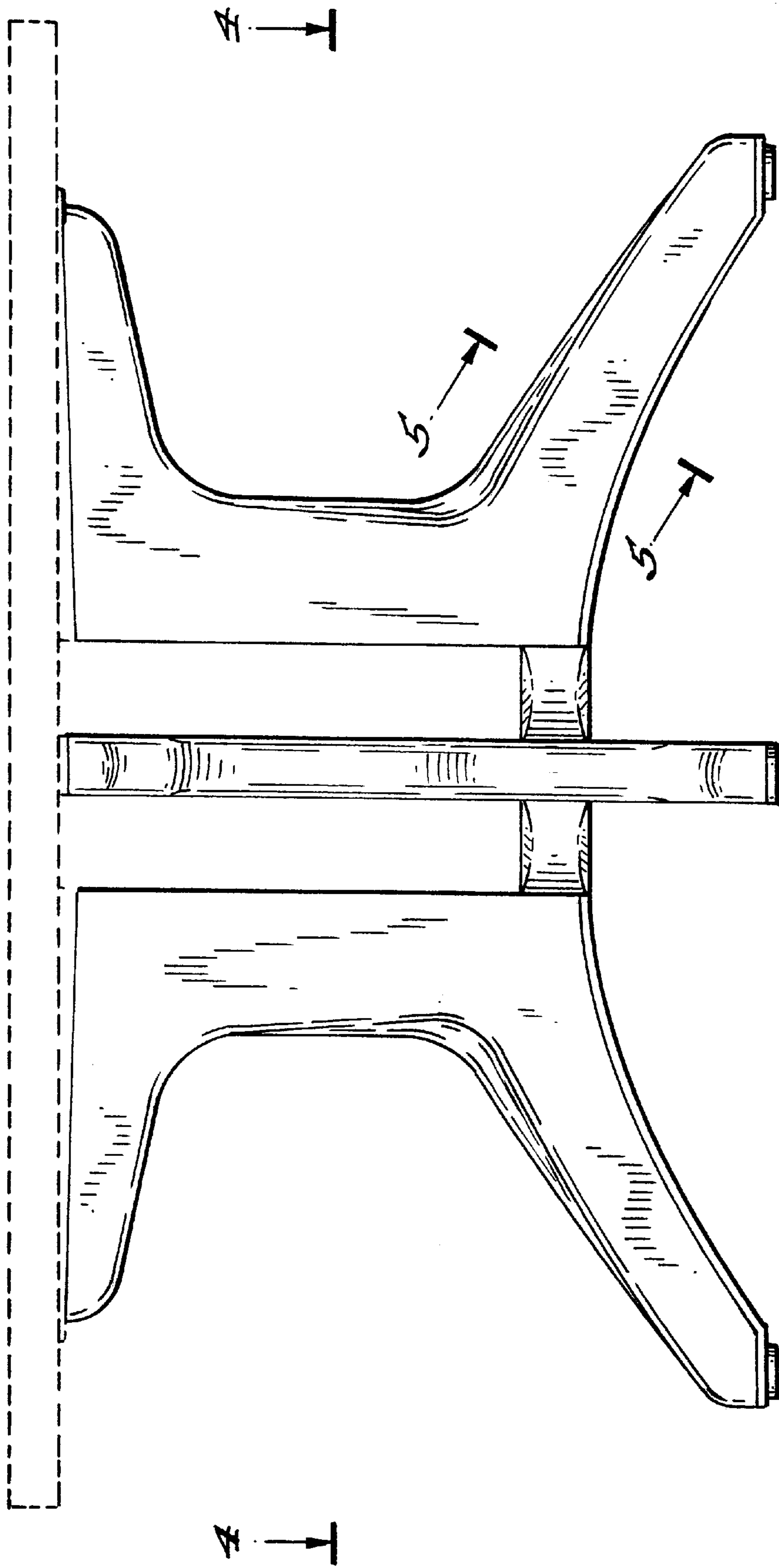


Fig. 2.

Fig. 3



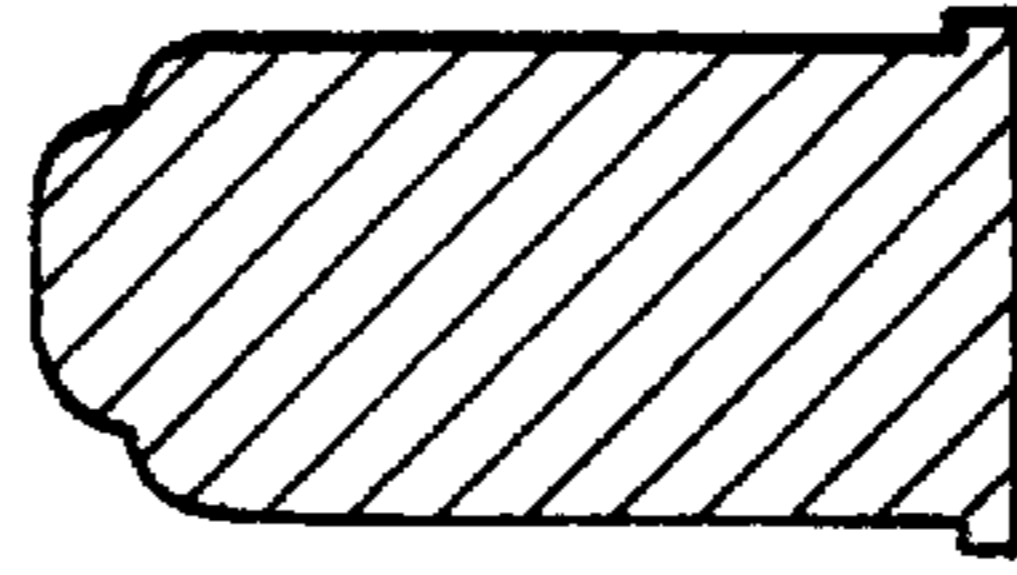


Fig. 5

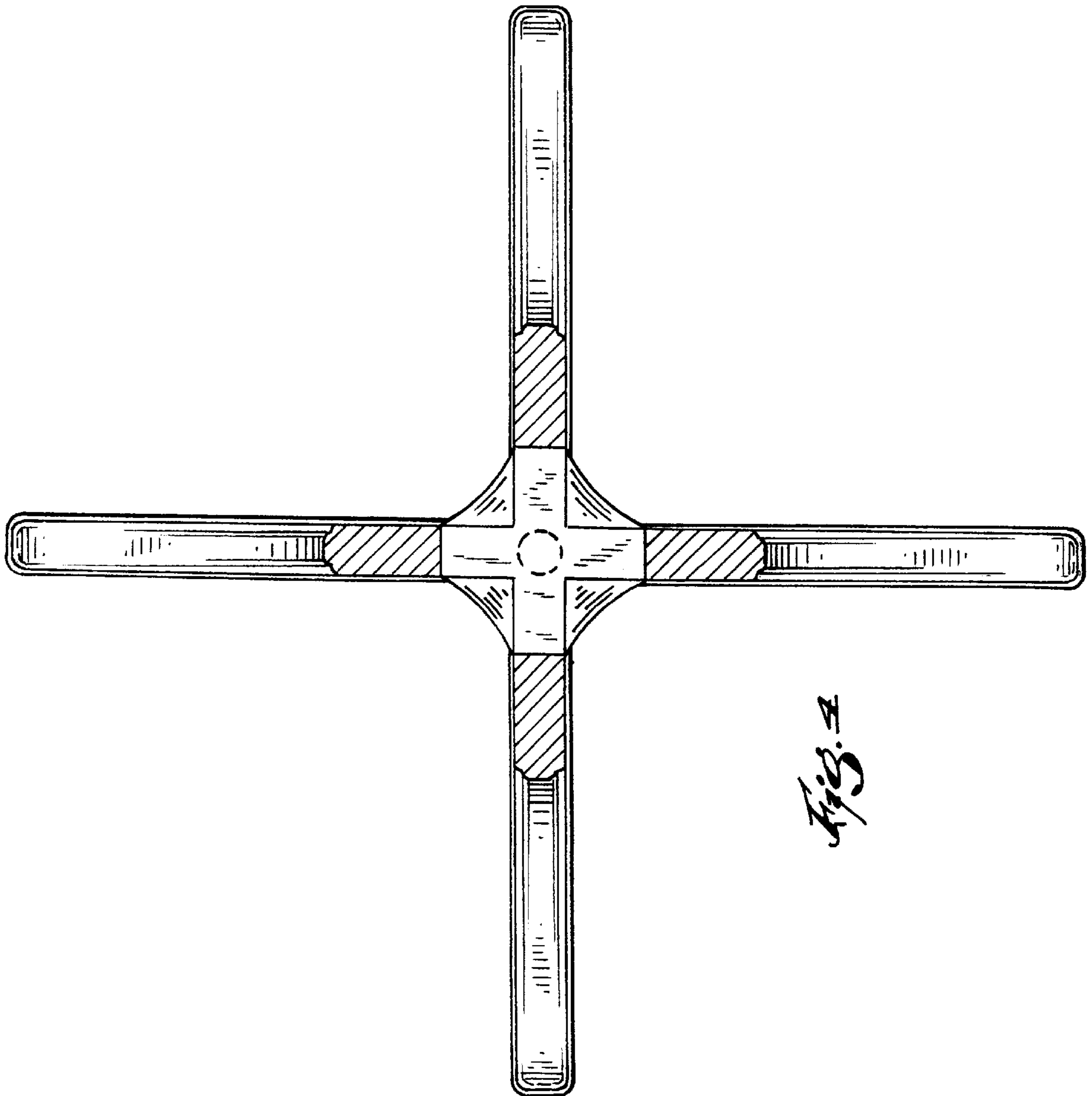


Fig. 4