



US00D438408S

(12) **United States Design Patent**
Hannappel

(10) **Patent No.:** **US D438,408 S**

(45) **Date of Patent:** **** Mar. 6, 2001**

(54) **CHAIR SUPPORTED END TABLE**

(76) Inventor: **Gerald Hannappel**, 708 W. Solano Dr.,
Phoenix, AZ (US) 85013

(**) Term: **14 Years**

(21) Appl. No.: **29/115,843**

(22) Filed: **Dec. 20, 1999**

(51) **LOC (7) Cl.** **06-03**

(52) **U.S. Cl.** **D6/487**

(58) **Field of Search** D6/480, 482, 484,
D6/487, 511, 555, 574, 418; 108/150; 297/160-162,
173

(56) **References Cited**

U.S. PATENT DOCUMENTS

D. 323,560	*	1/1992	Boyce et al.	D24/184
2,994,366	*	8/1961	Hoch	297/162
3,095,835	*	7/1963	Smith	D6/574
3,717,375	*	2/1973	Slobodan	297/162
5,573,301	*	11/1996	Scott	297/173

* cited by examiner

Primary Examiner—Janice E. Seeger

(74) *Attorney, Agent, or Firm*—Cahill Sutton & Thomas
P.L.C.

(57) **CLAIM**

The ornamental design for a chair supported end table, as shown and described.

DESCRIPTION

FIG 1 is a front perspective view of a chair supported end table showing the end table of my new design, the reclining chair, cup holders, walking stick and clamp, and support plate are shown in dashed lines to illustrate the environment of my invention;

FIG. 2 is a top view thereof and showing the support plate in dashed lines as not being a part of my design;

FIG. 3 is a right side view thereof and showing the support plate in dashed lines as not being a part of my design;

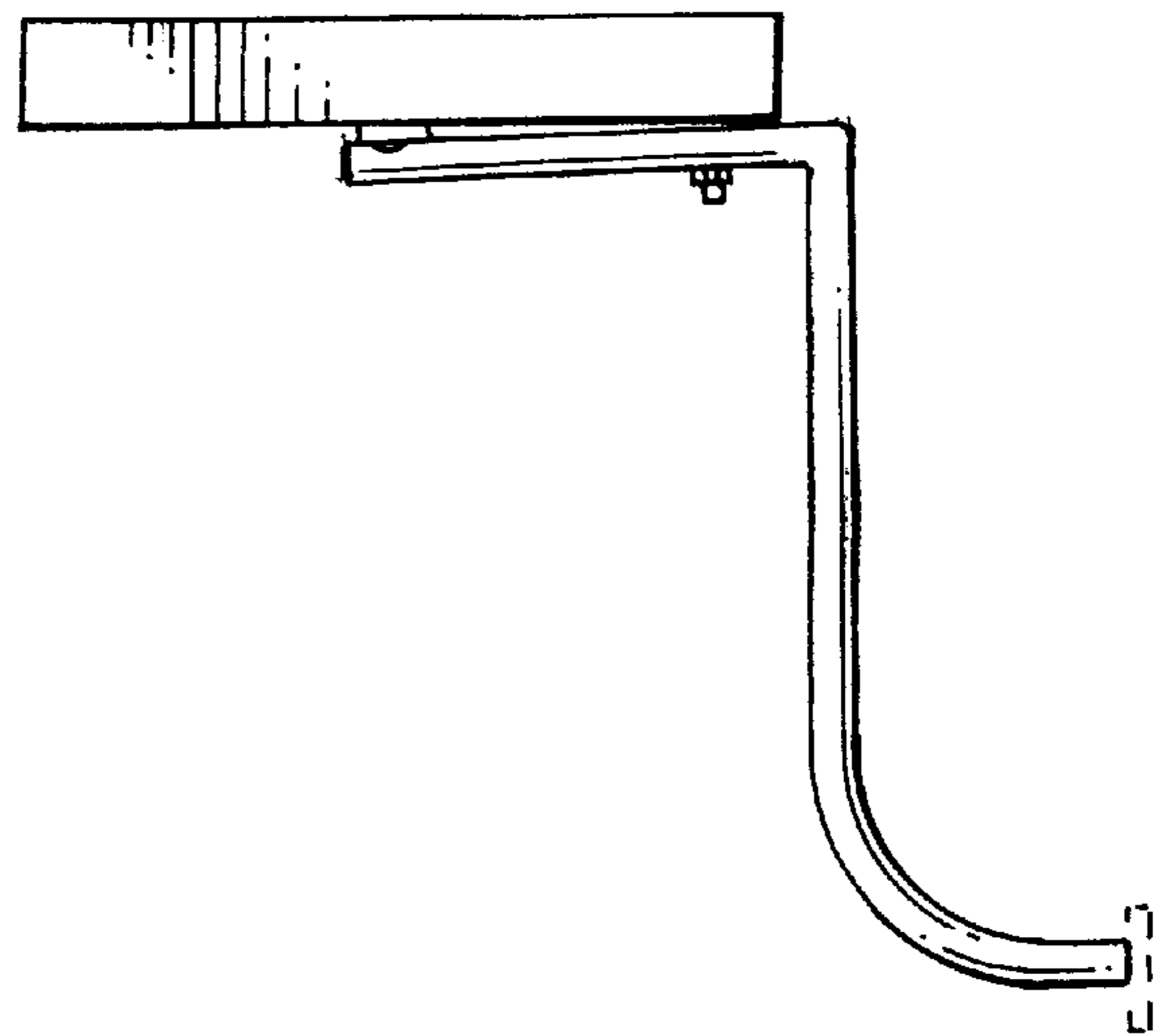
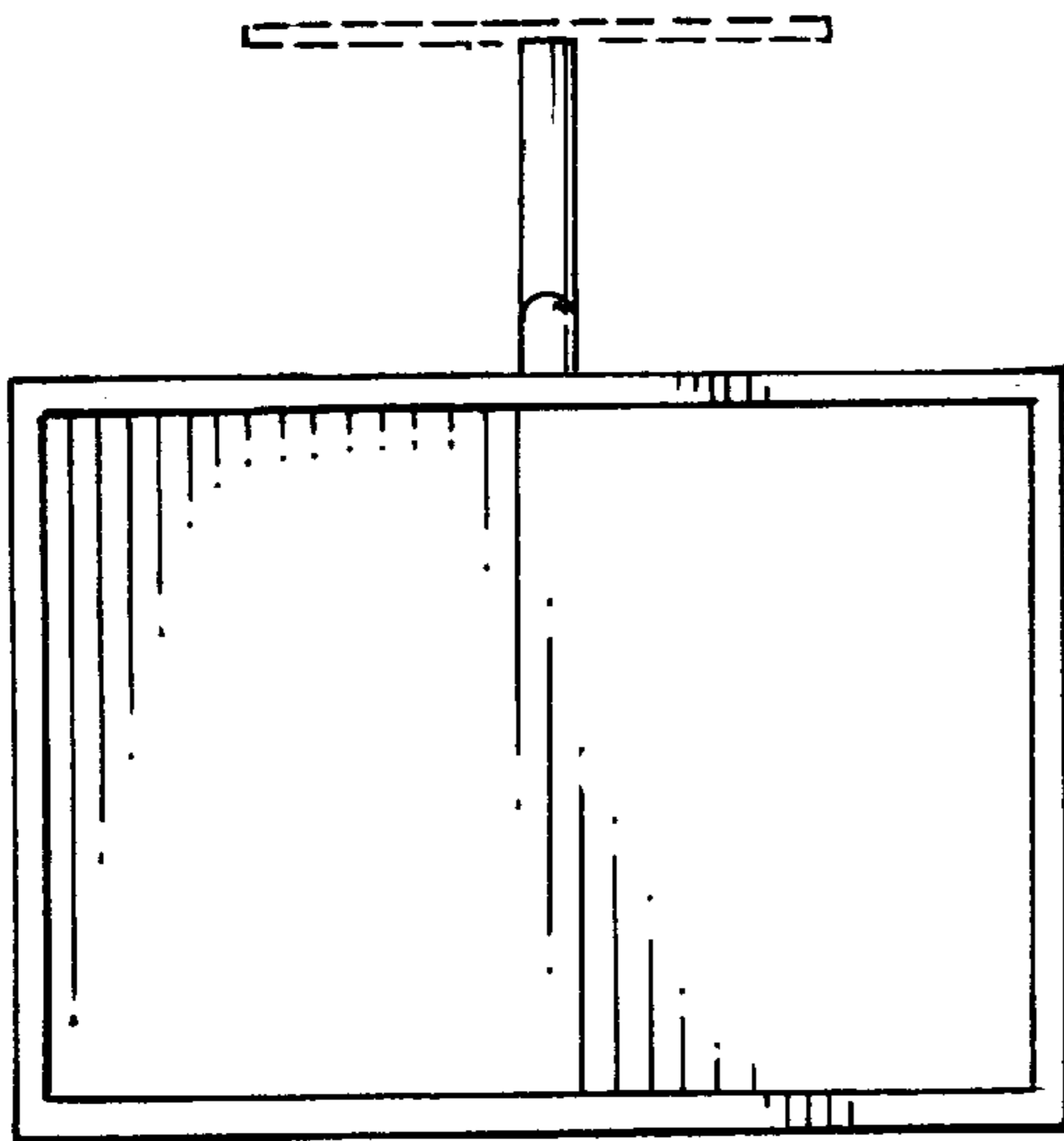
FIG. 4 is a rear side view thereof and showing the support plate in dashed lines as not being a part of my design;

FIG. 5 is a left side view thereof and showing the support plate in dashed lines as not being a part of my design;

FIG. 6 is a front side view thereof and showing the support plate in dashed lines as not being a part of my design; and,

FIG. 7 is a bottom view thereof and showing the support plate in dashed lines as not being a part of my design.

1 Claim, 2 Drawing Sheets



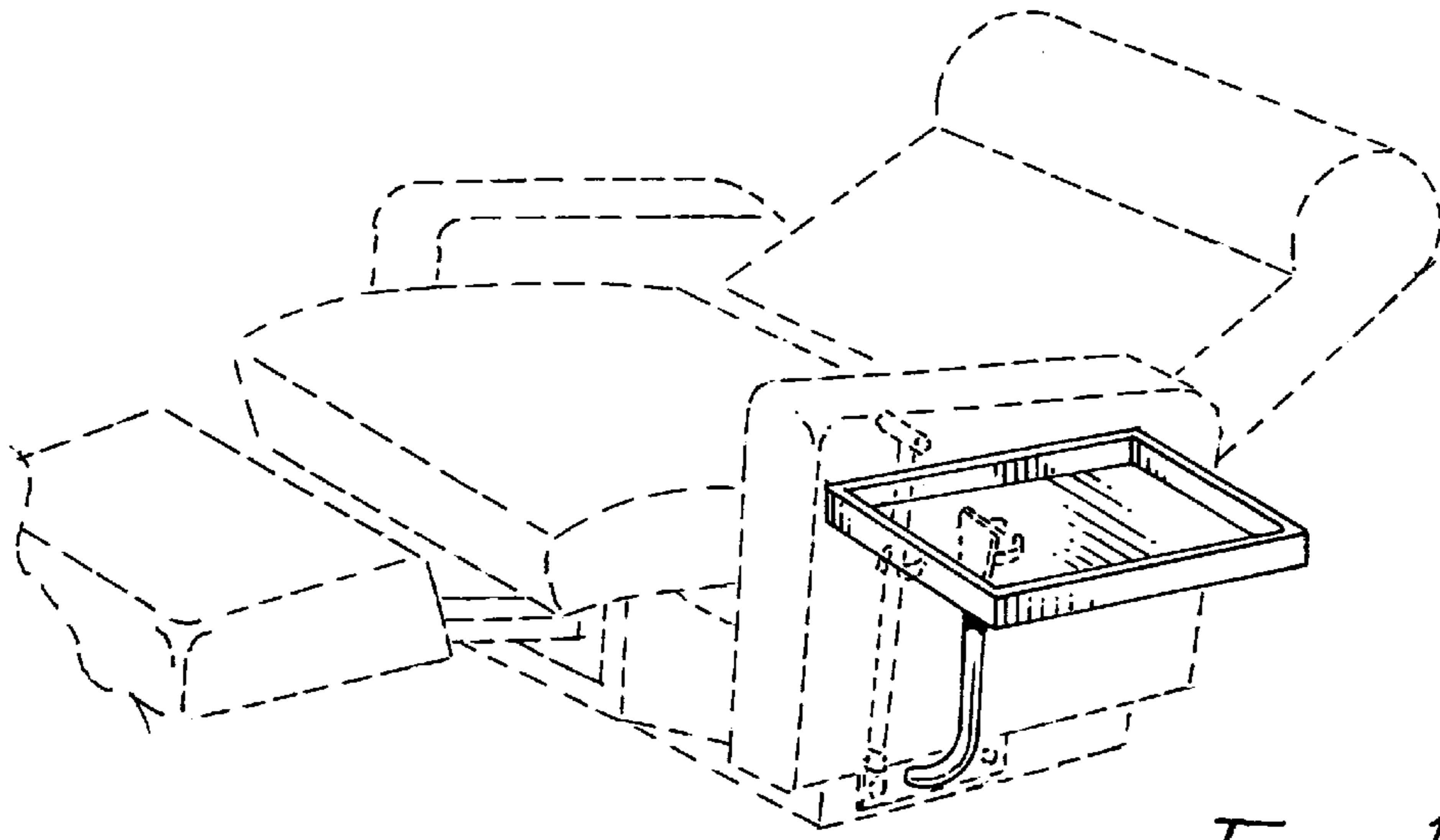


FIG. 1

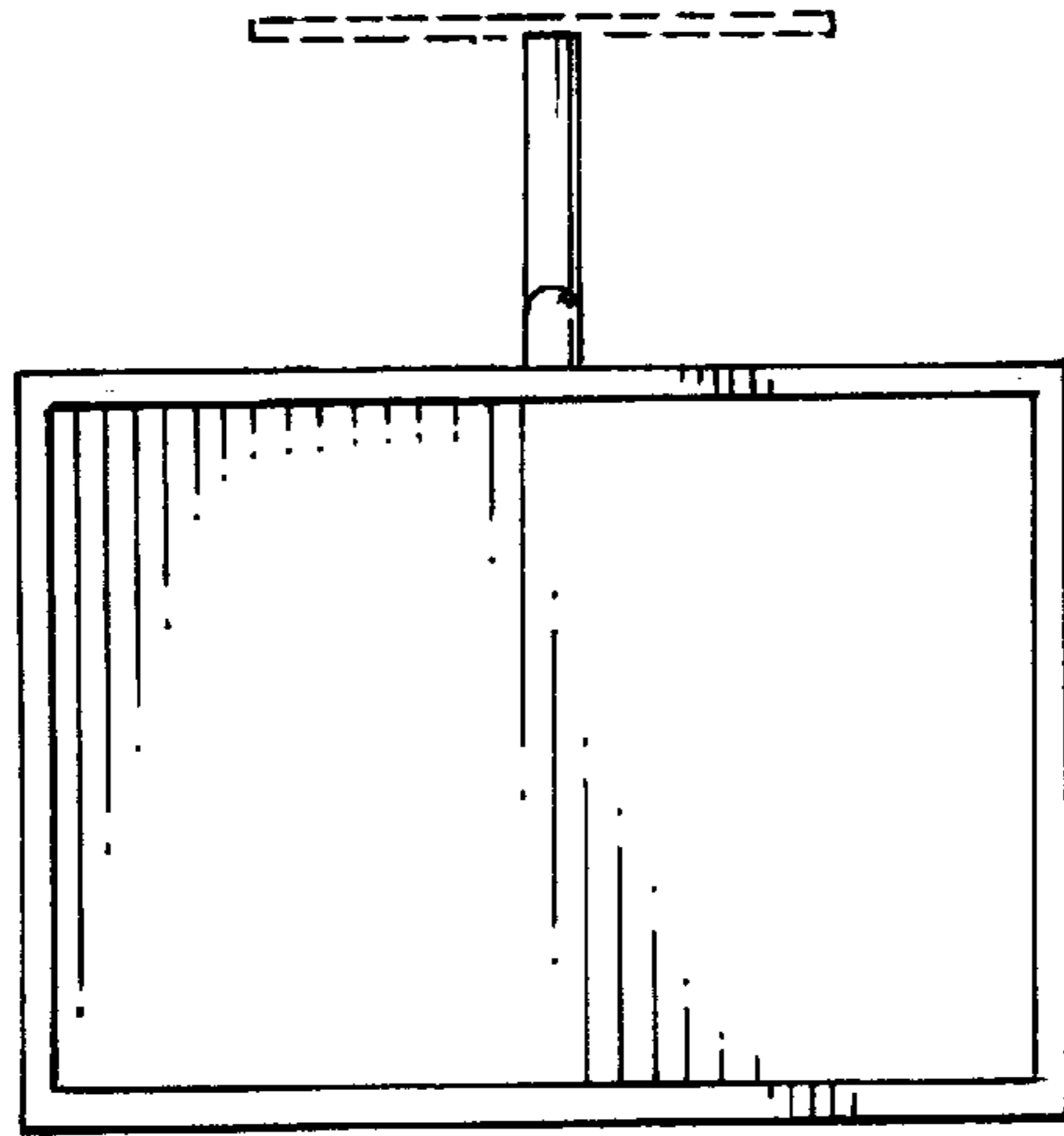


FIG. 2

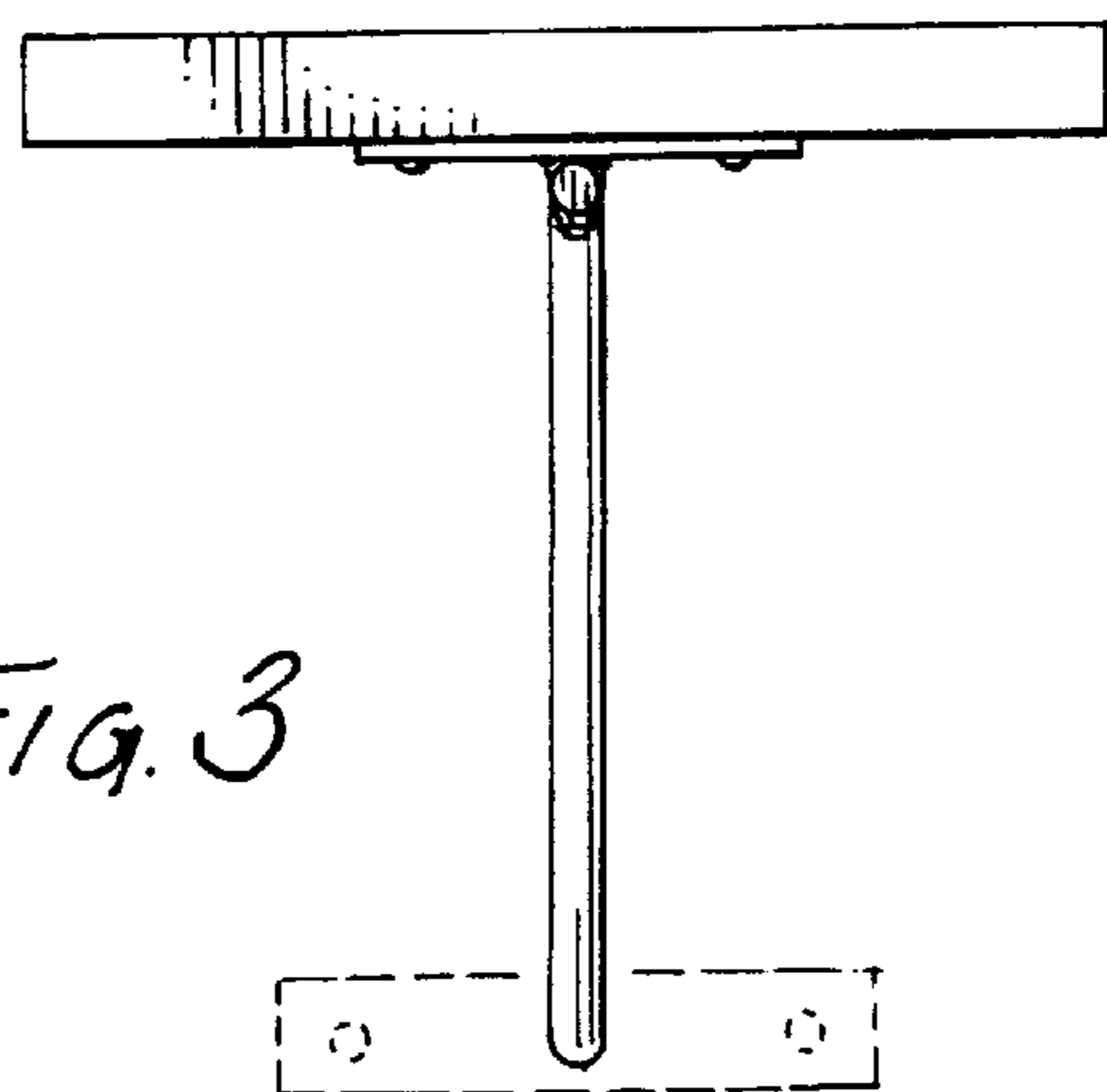


FIG. 3

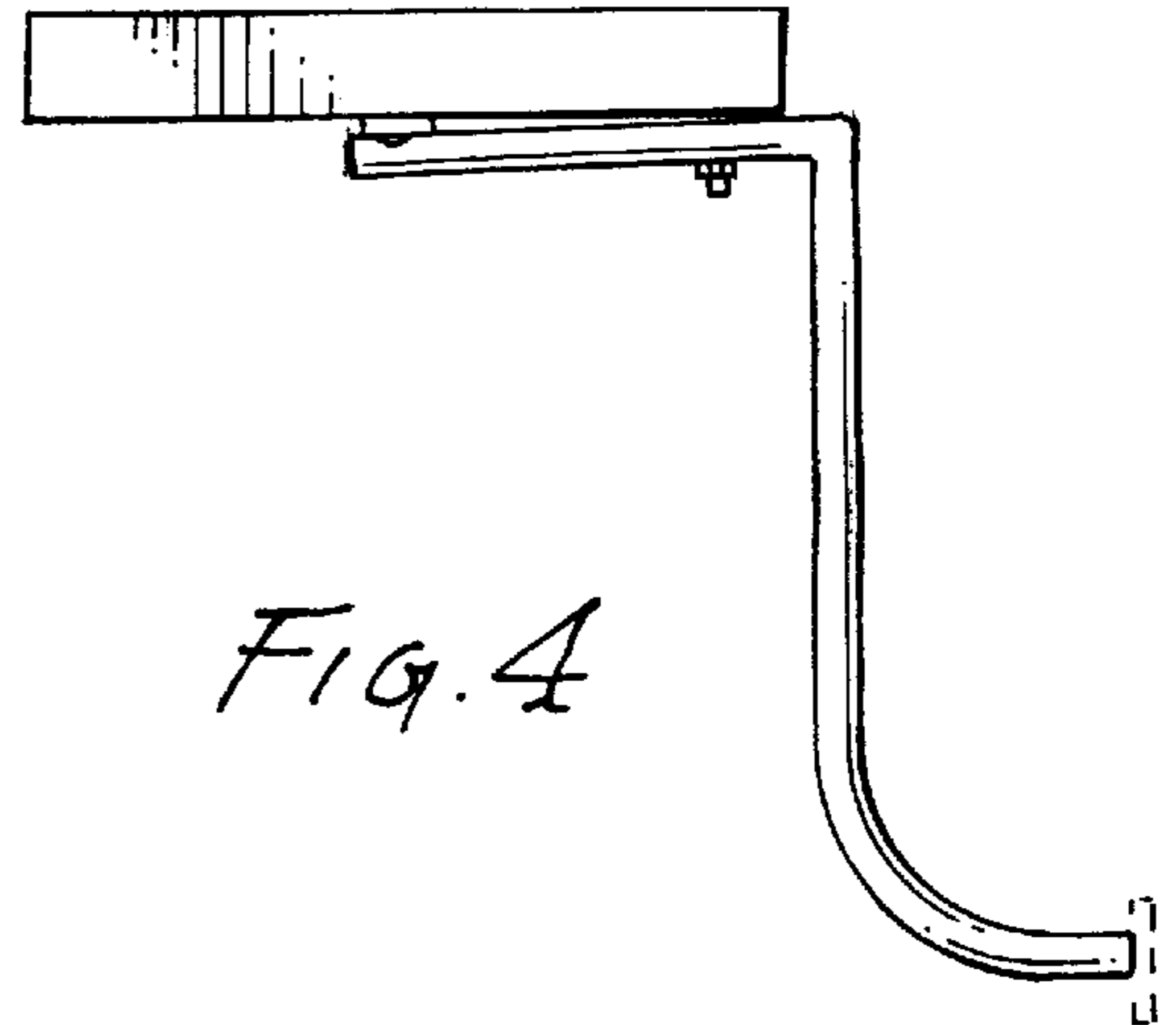


FIG. 4

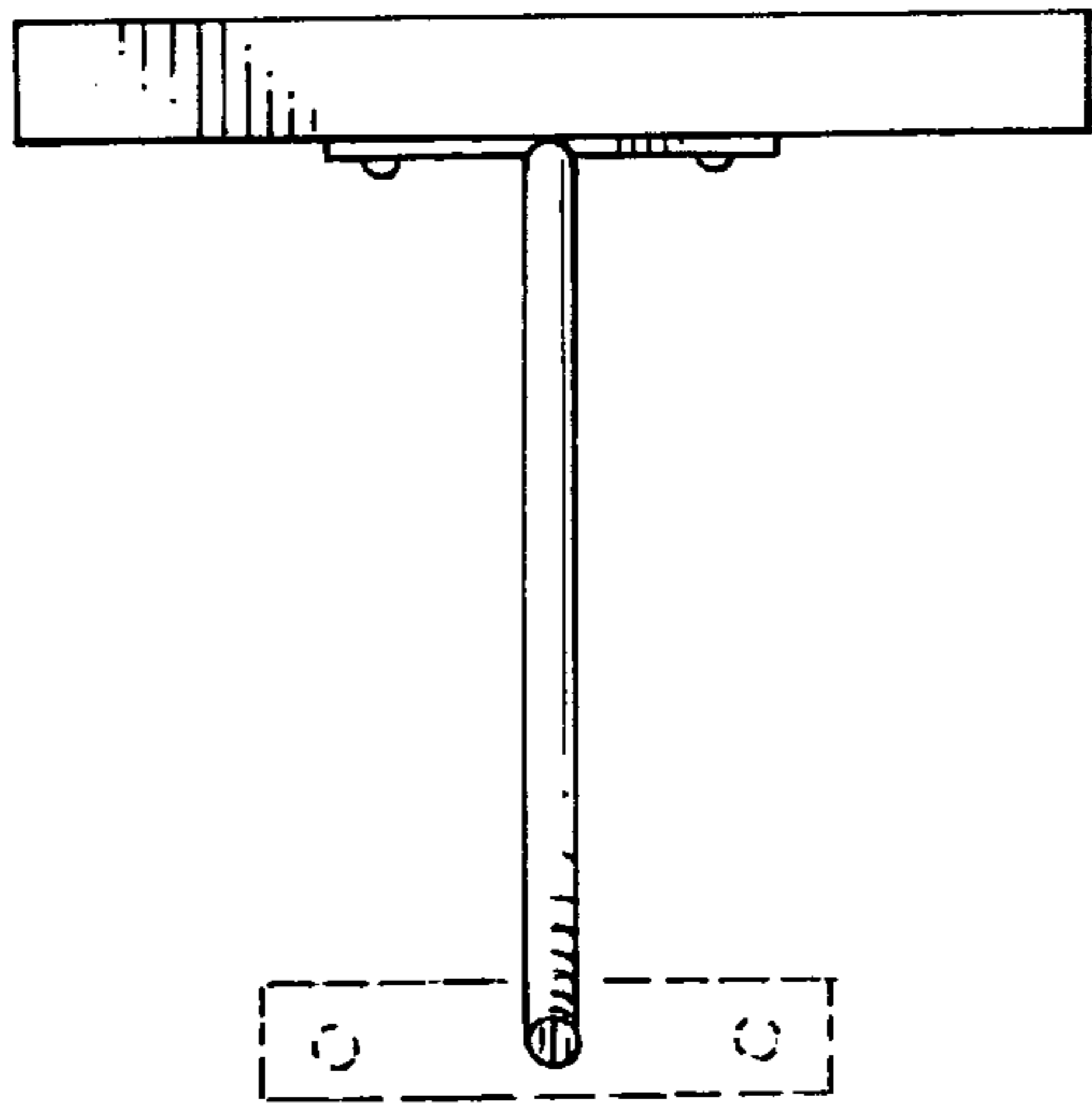


FIG. 5

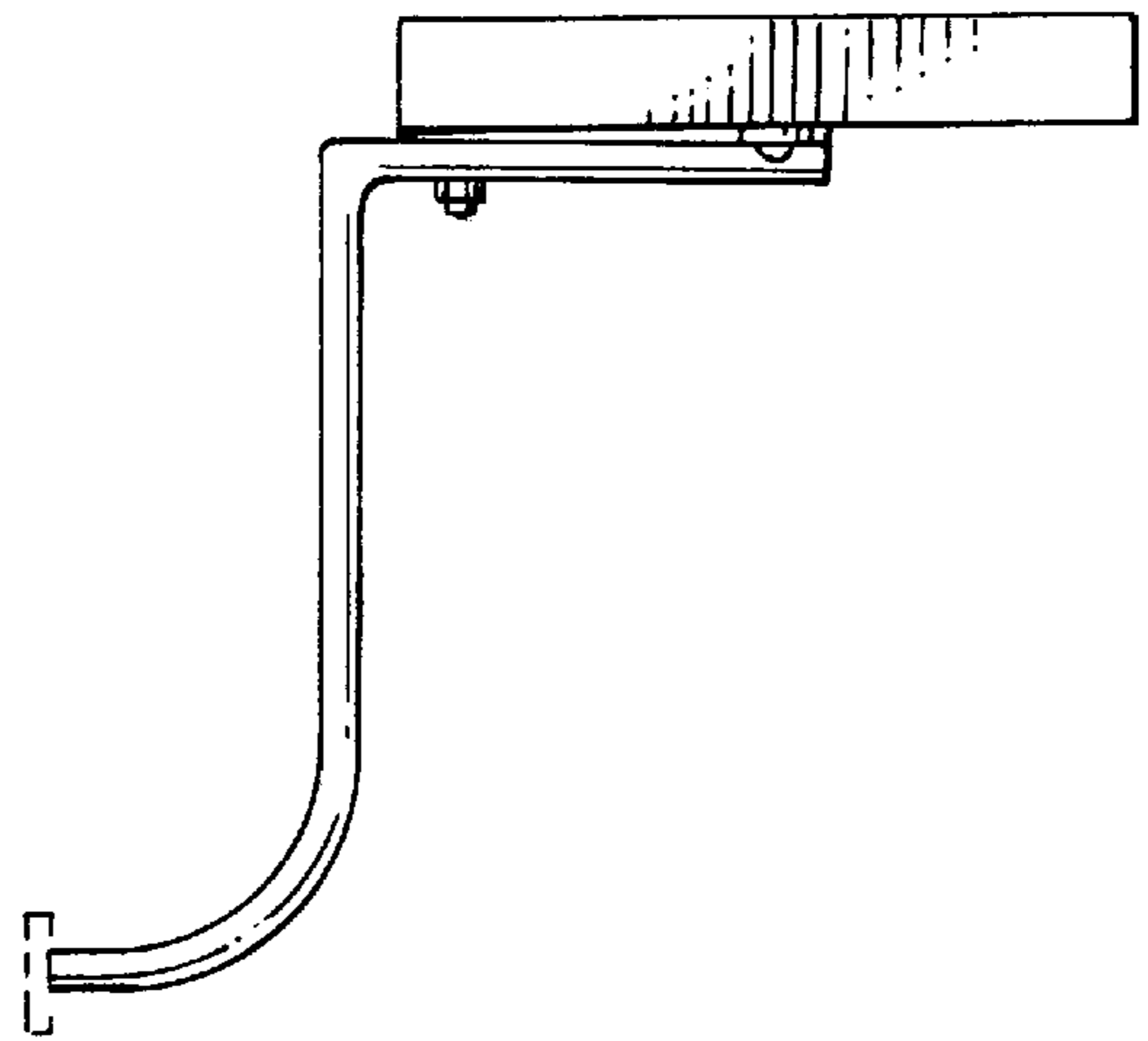


FIG. 6

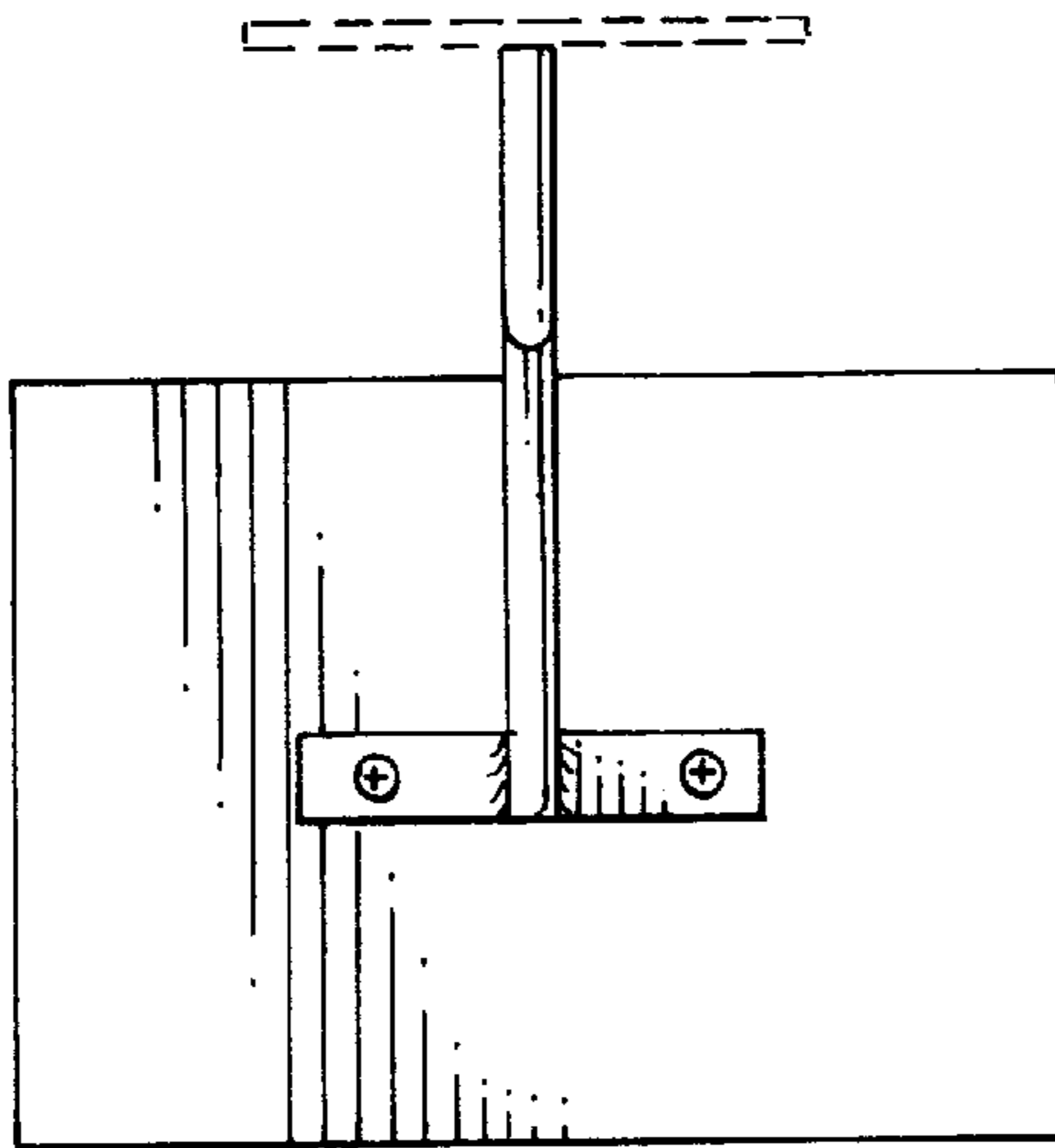


FIG. 7