



US00D438404S

(12) **United States Design Patent**
Topper et al.

(10) **Patent No.:** **US D438,404 S**

(45) **Date of Patent:** **** Mar. 6, 2001**

(54) **MODULAR MERCHANDISER**

(75) Inventors: **Robert T. Topper**, Heber Springs;
Thomas W. Rand, Conway; **William E. Zellner**, Conway; **Ronald E. Luyet**, Conway, all of AR (US); **Greg Arhart**; **Brad Ritner**, both of Seattle, WA (US)

(73) Assignee: **Carrier Corporation**, Syracuse, NY (US)

(**) Term: **14 Years**

(21) Appl. No.: **29/111,840**

(22) Filed: **Oct. 5, 1999**

(51) **LOC (7) Cl.** **06-06**

(52) **U.S. Cl.** **D6/470; D6/471; D6/472**

(58) **Field of Search** D6/329, 396, 397, D6/449, 470-473, 481, 437, 441, 448; D15/79, 81-83; 312/114, 107, 116, 138.1, 401; 220/DIG. 8; 62/246

(56) **References Cited**

U.S. PATENT DOCUMENTS

D. 105,278	*	7/1937	Hill	D6/437
D. 114,185		4/1939	Hoffman	.	
D. 119,508	*	3/1940	Waddell	D6/471
D. 129,796	*	10/1941	Belshaw	D6/436
D. 205,873	*	9/1966	Burtis	D6/471
D. 294,315	*	2/1988	Jakubowski	D6/472
D. 303,595	*	9/1989	Thompson	D6/472
356,858		2/1887	Towson	.	
D. 365,828	*	1/1996	Lacewell et al.	D15/87
470,673		3/1892	Heath	.	
1,012,965		12/1911	Bachrach	.	
1,751,285	*	3/1930	Malling	211/153
2,211,113		8/1940	Hall	.	
2,279,945	*	4/1942	Hoffman	312/107
2,735,739	*	2/1956	Patriarca	312/31

2,994,572	8/1961	Morrison	.
3,729,243	4/1973	Musgrave et al.	.
3,730,603	5/1973	Looms	.
4,270,819	6/1981	Ooho	.
5,112,118	5/1992	Wiehle	.
5,116,274	5/1992	Artwohl et al.	.
5,622,414	4/1997	Artwohl et al.	.
5,639,149	6/1997	Grassmuck	.
5,803,560	9/1998	Trulaske, Sr. et al.	.

* cited by examiner

Primary Examiner—Catherine Tuttle

(74) *Attorney, Agent, or Firm*—Pearne & Gordon, LLP

(57) **CLAIM**

The ornamental design for a modular merchandiser, as shown and described.

DESCRIPTION

FIG. 1 is a perspective view of a modular merchandiser, showing our new design;
 FIG. 2 is a front elevational view thereof;
 FIG. 3 is a top plan view thereof;
 FIG. 4 is a side elevational view thereof, the other side being a mirror image;
 FIG. 5 is a rear elevational view thereof;
 FIG. 6 is a perspective view of a second embodiment of the invention;
 FIG. 7 is a front elevational view thereof;
 FIG. 8 is top plan view thereof;
 FIG. 9 is a side elevational view thereof; and,
 FIG. 10 is rear elevational view thereof.

The broken line showing of interior structures of the merchandiser is for illustrative purposes only and forms no part of the claimed design.

The surface(s) or portion(s) of the article not shown in the drawing or described in the specification form(s) no part of the claimed design.

1 Claim, 6 Drawing Sheets

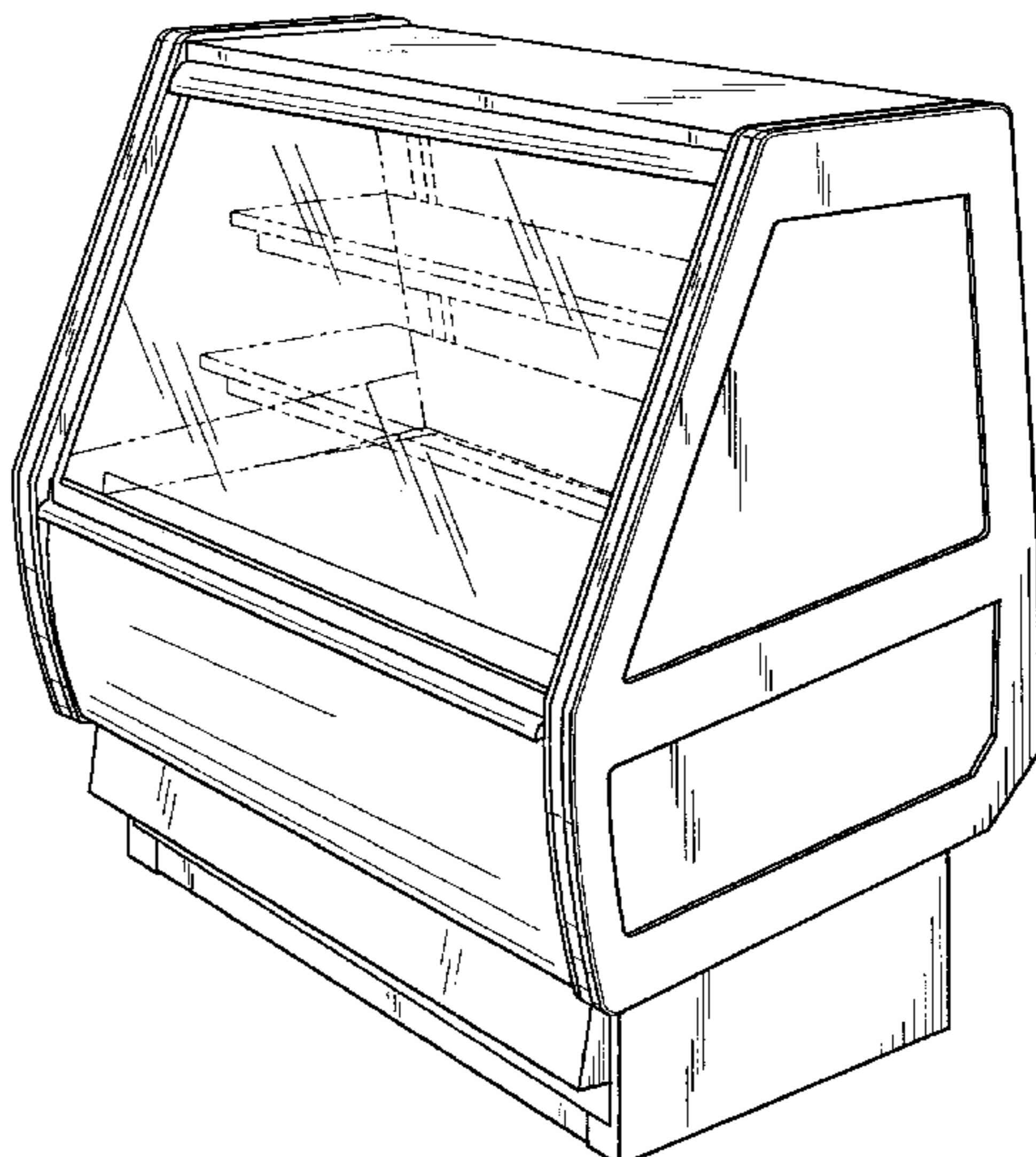
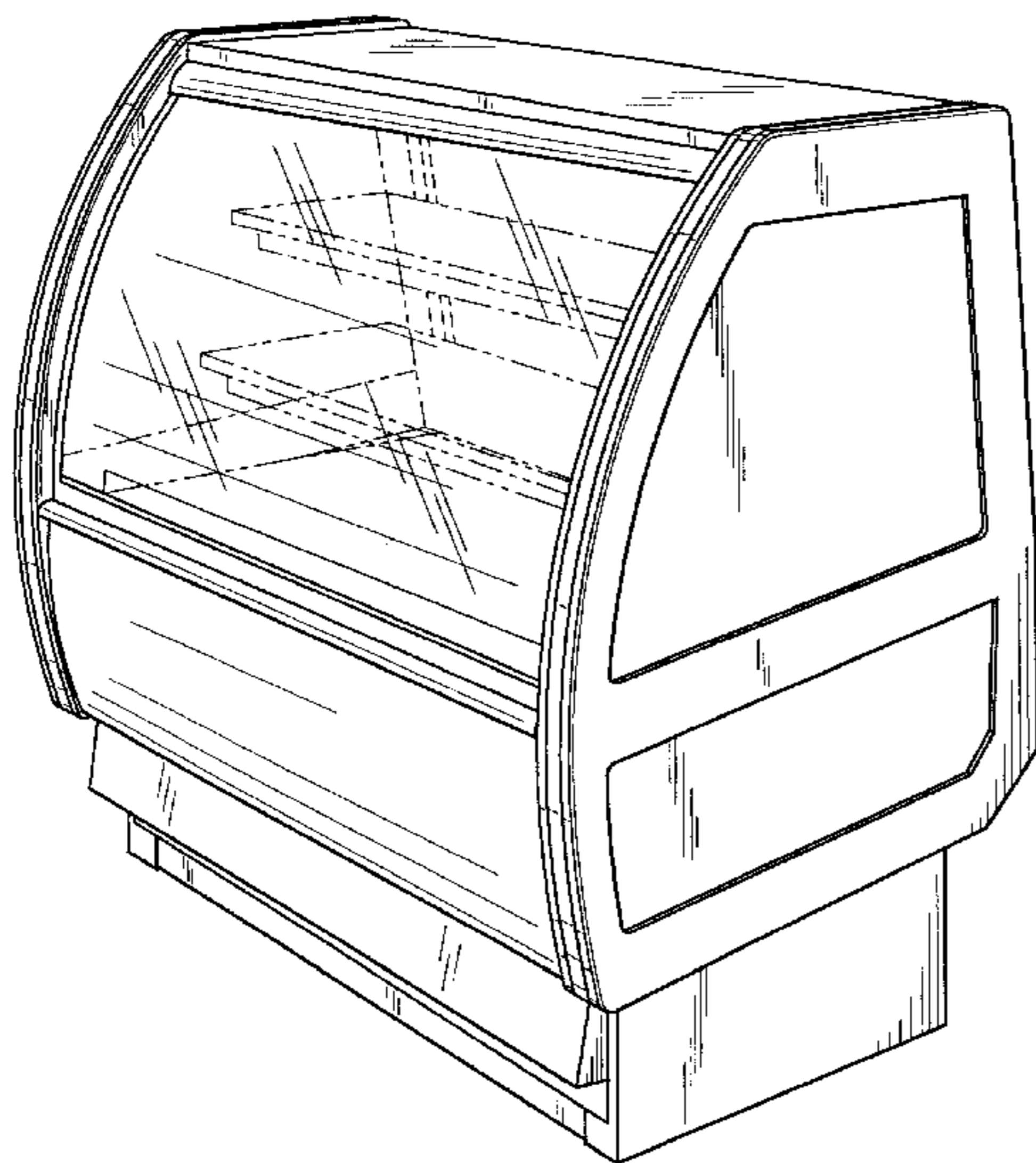
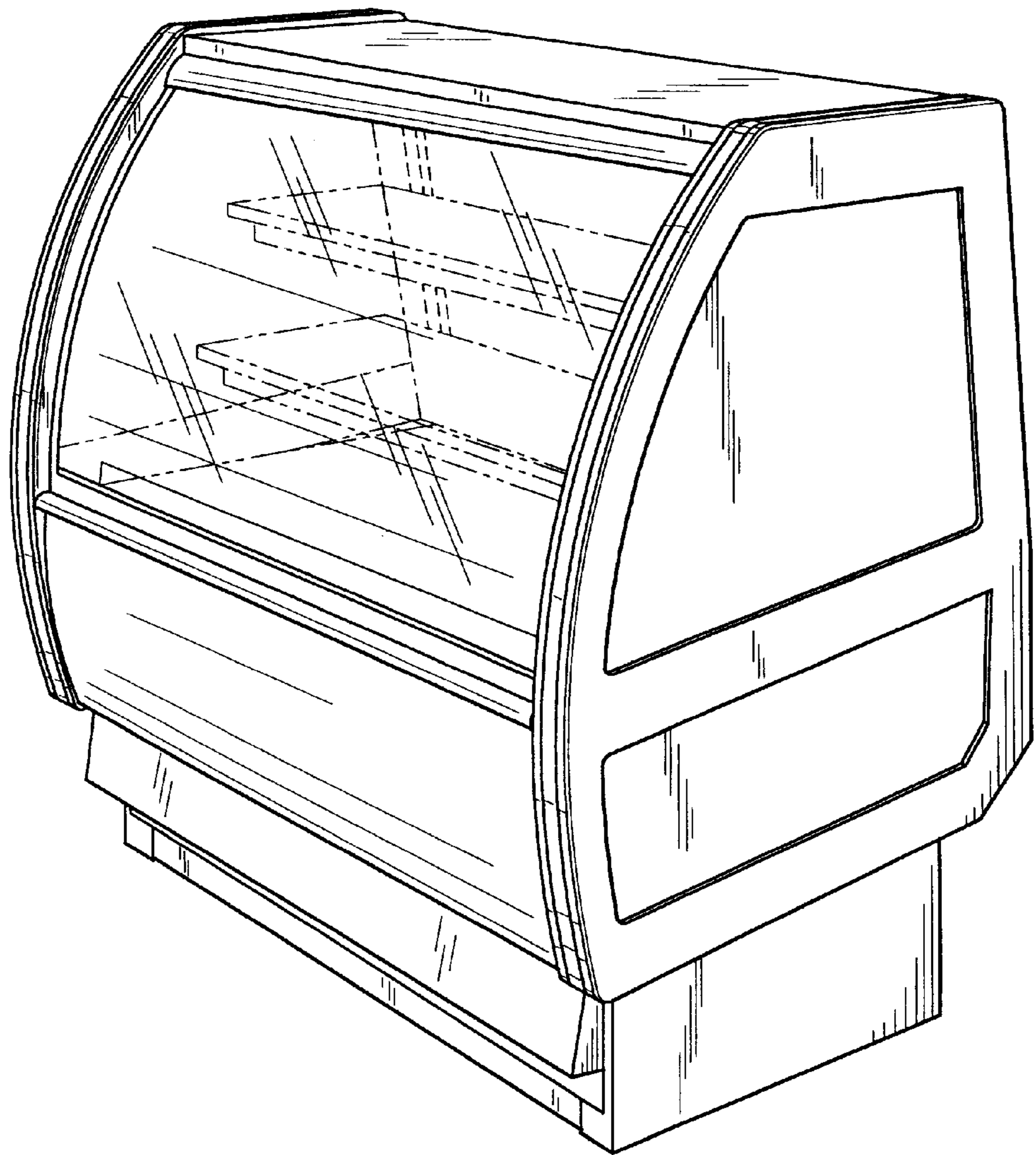


FIG. 1



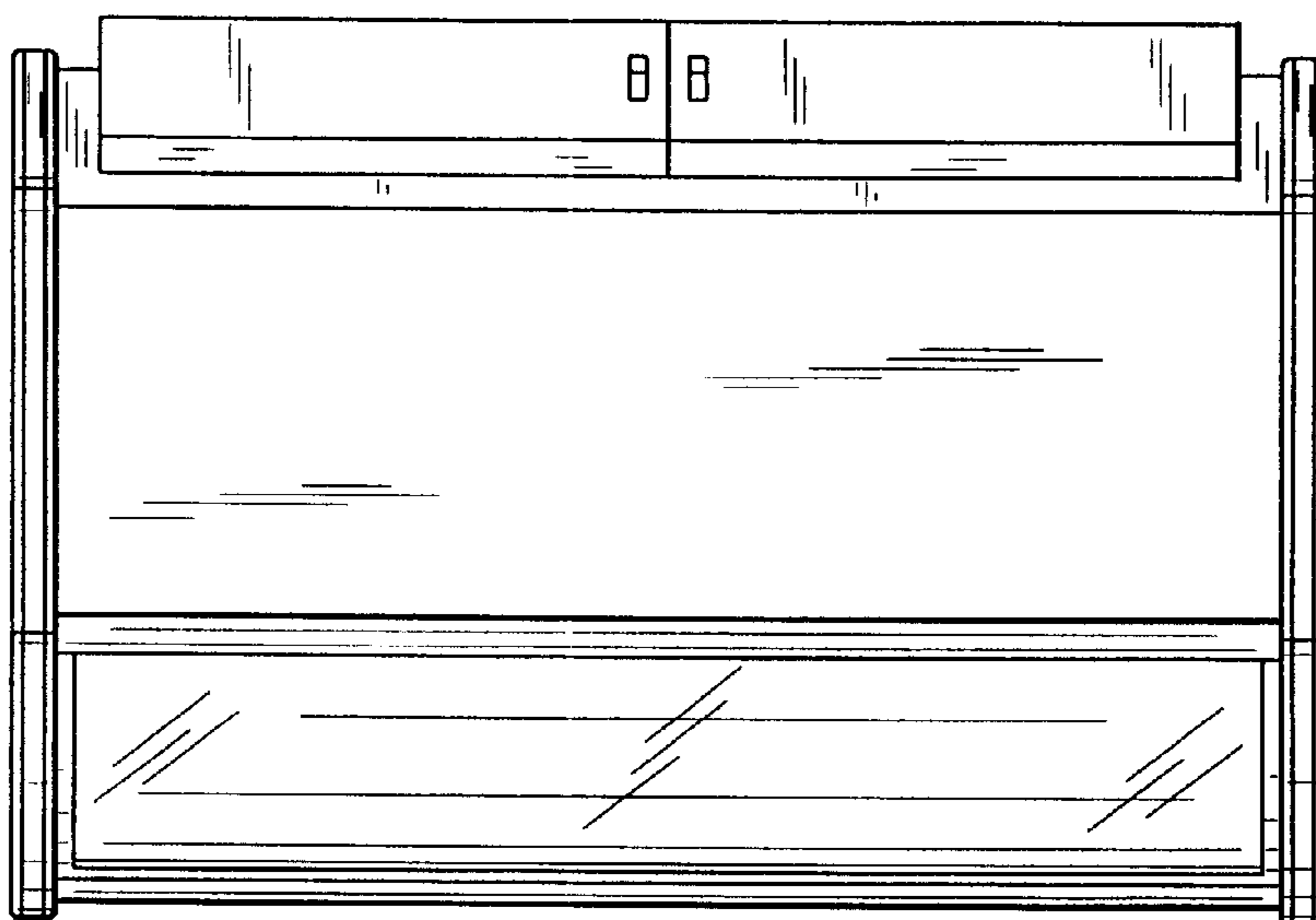


FIG. 3

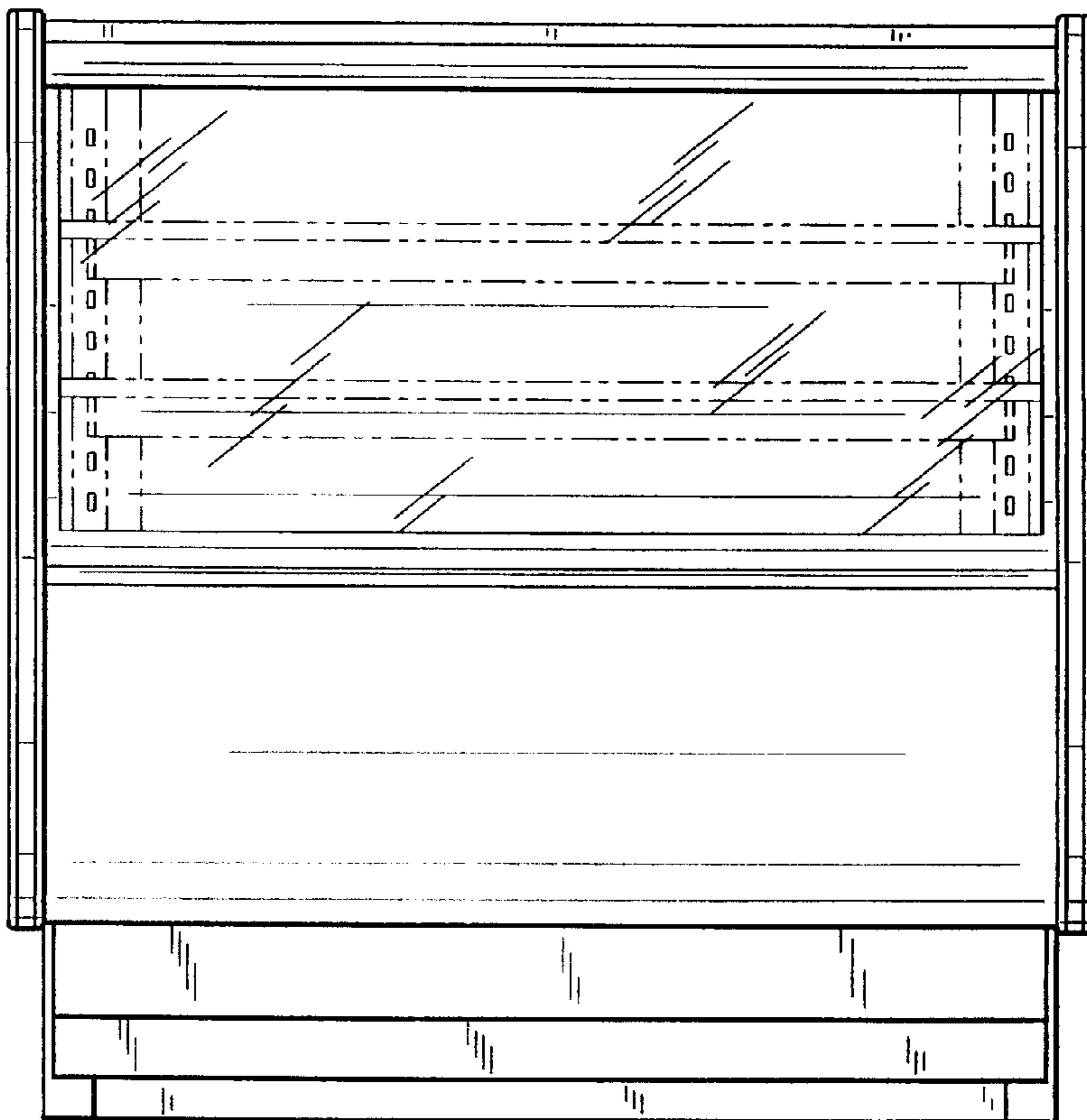


FIG. 2

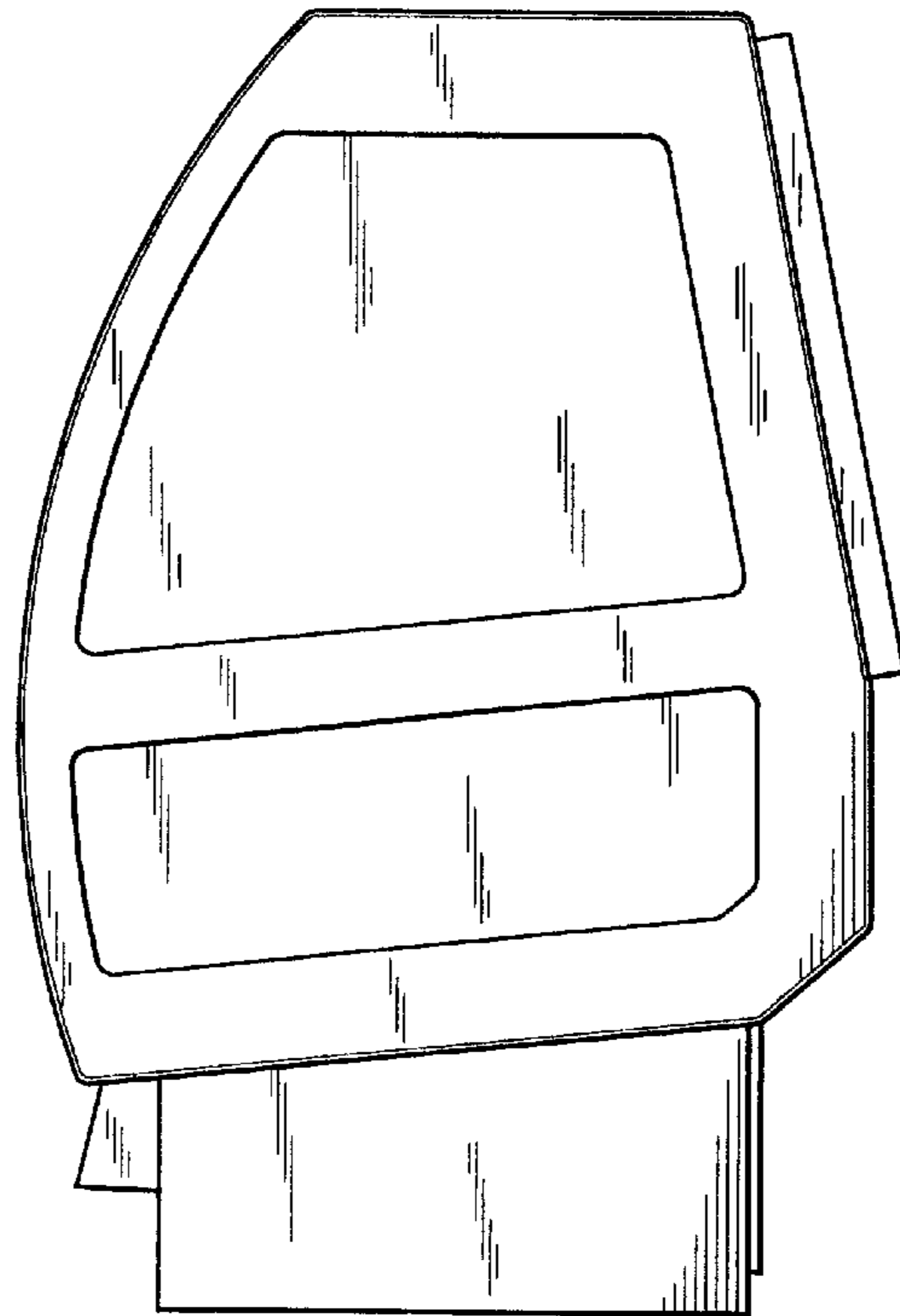


FIG. 4

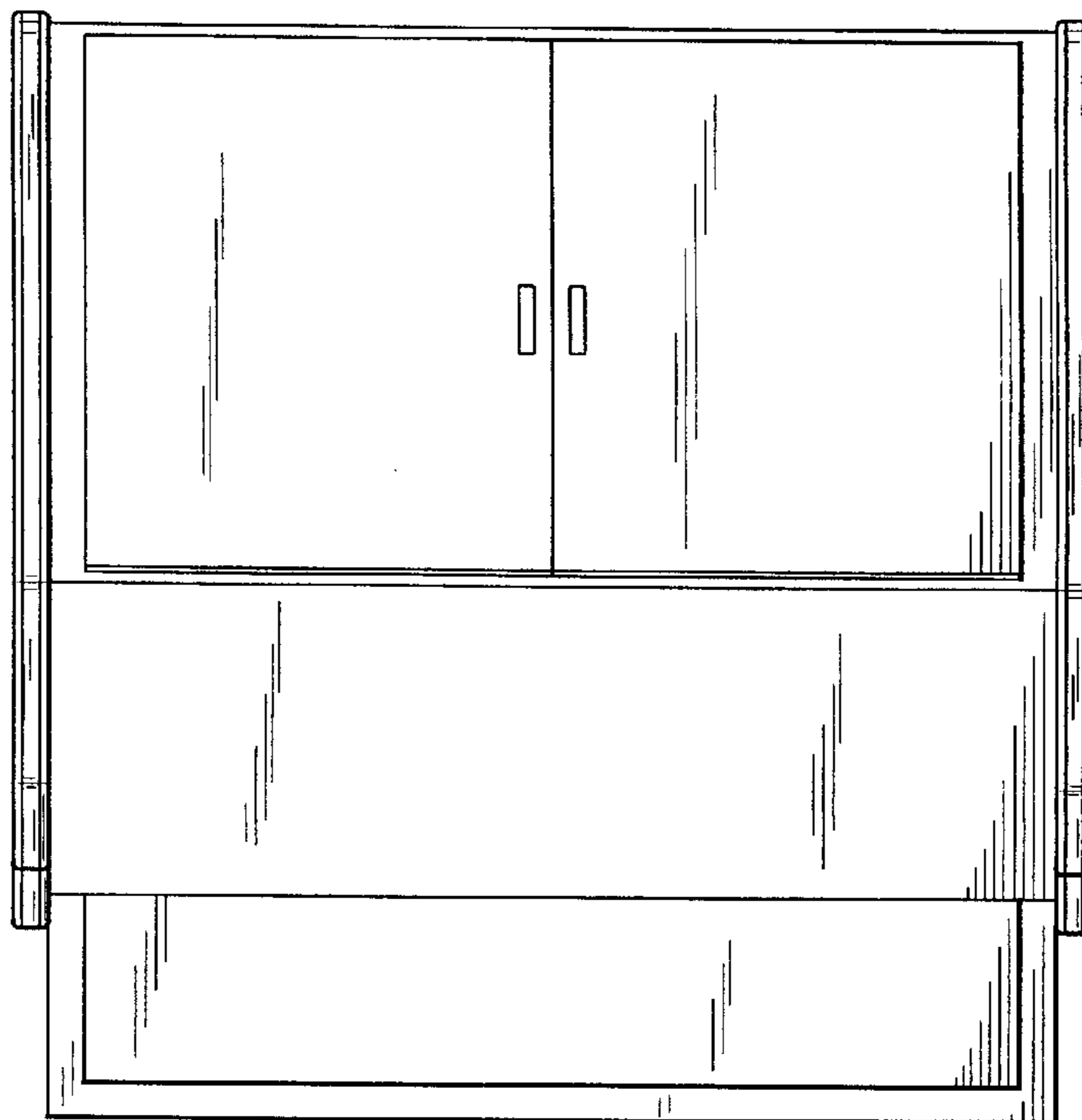
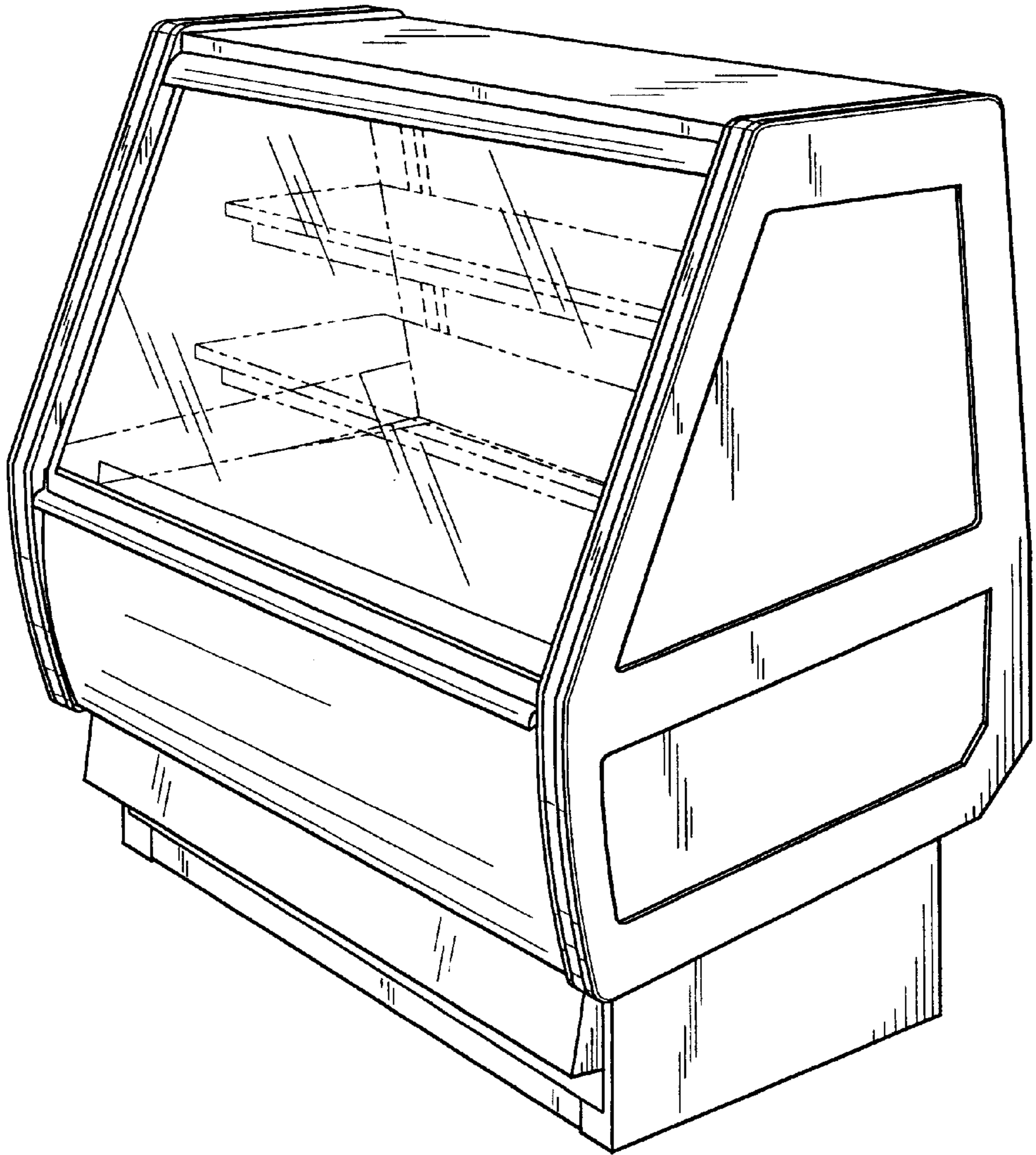


FIG. 5

FIG. 6



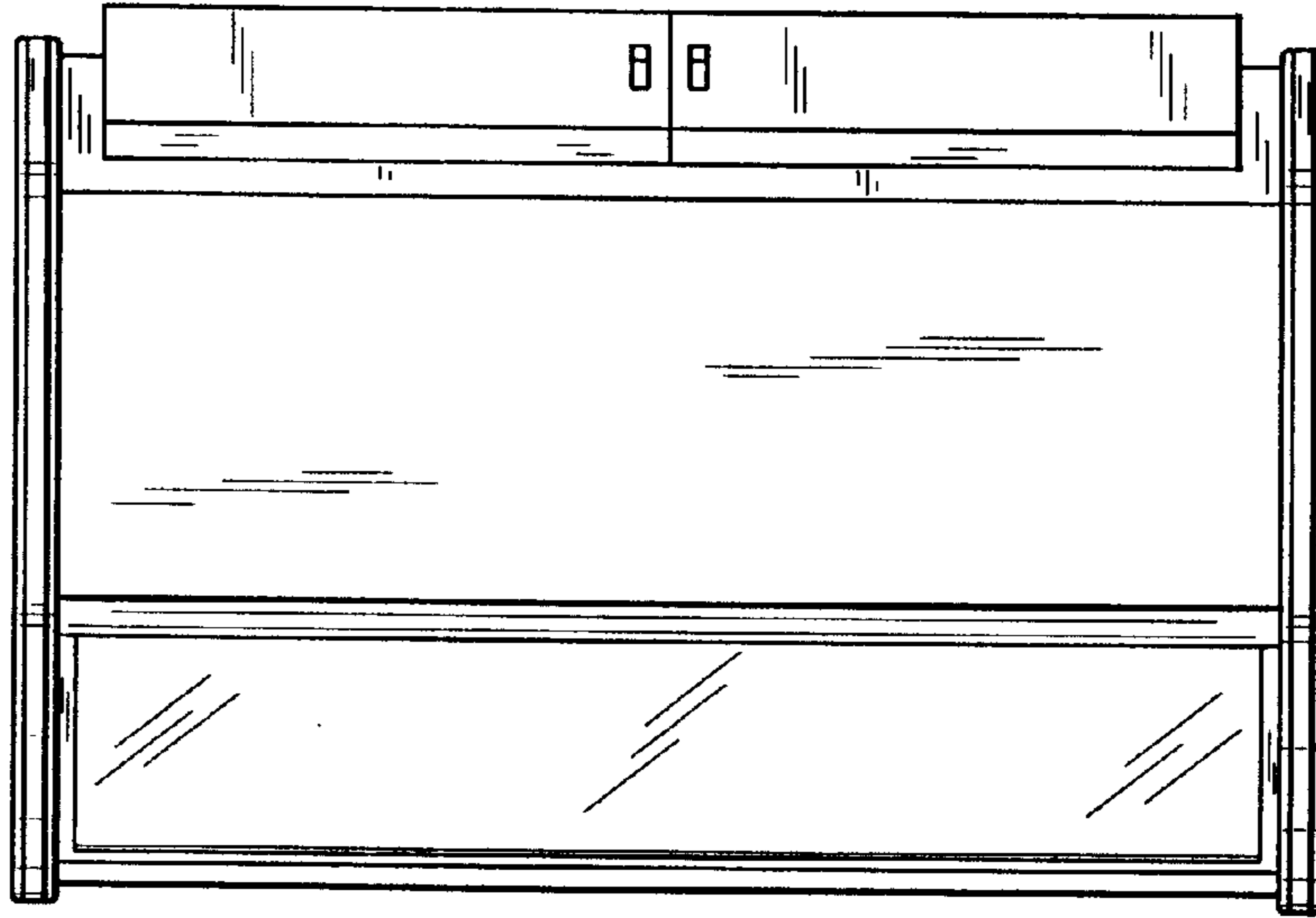


FIG. 8

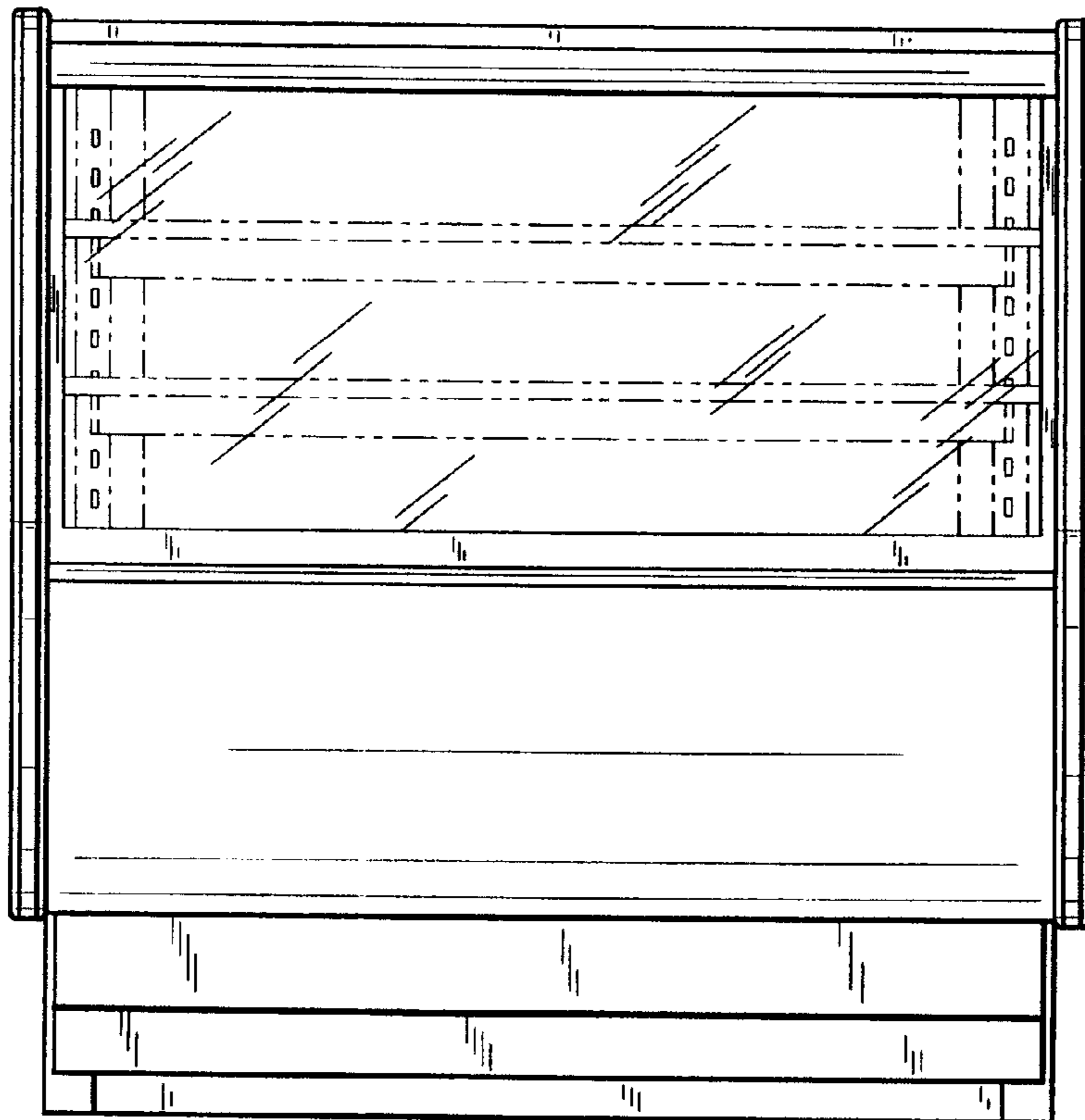


FIG. 7

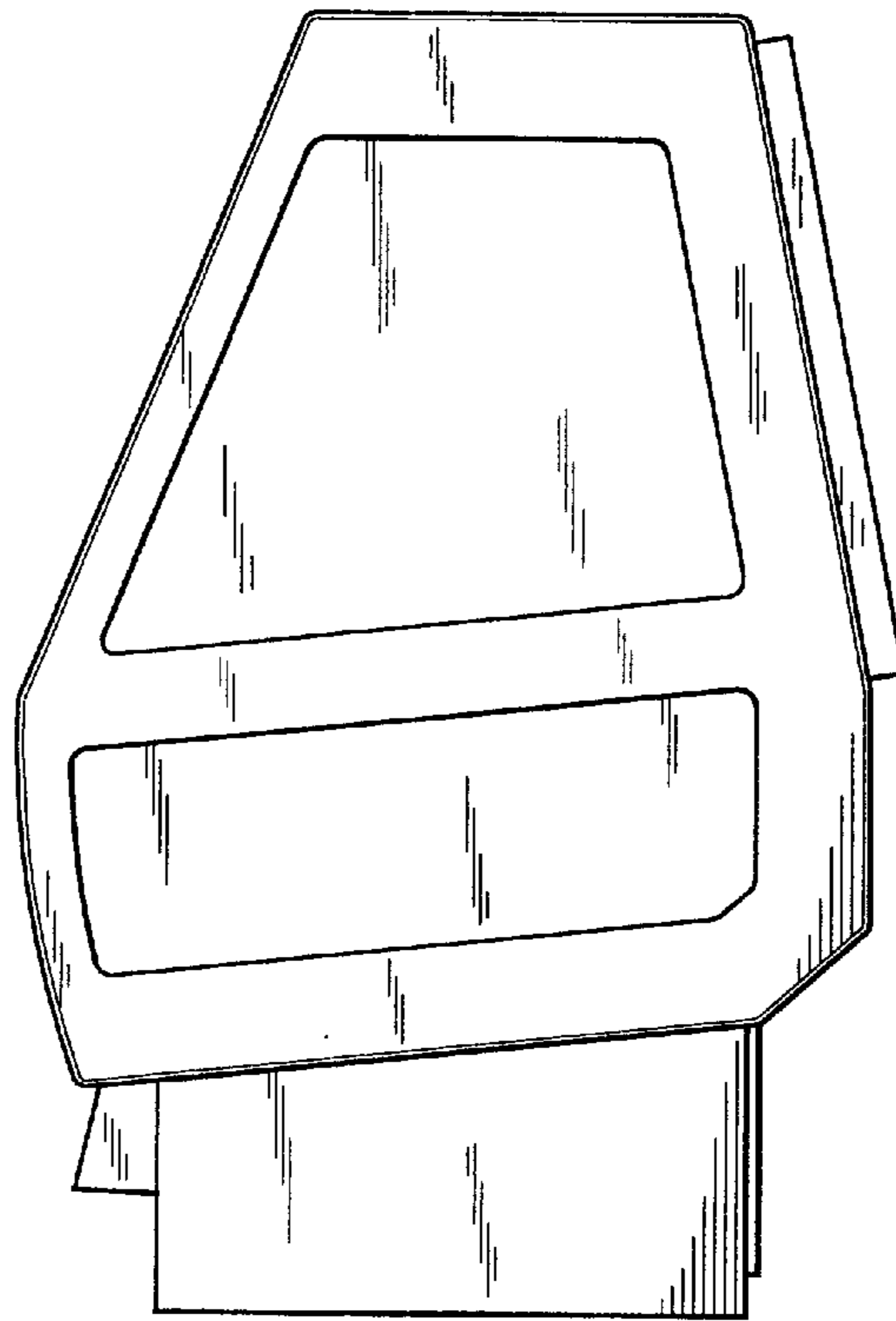


FIG. 9

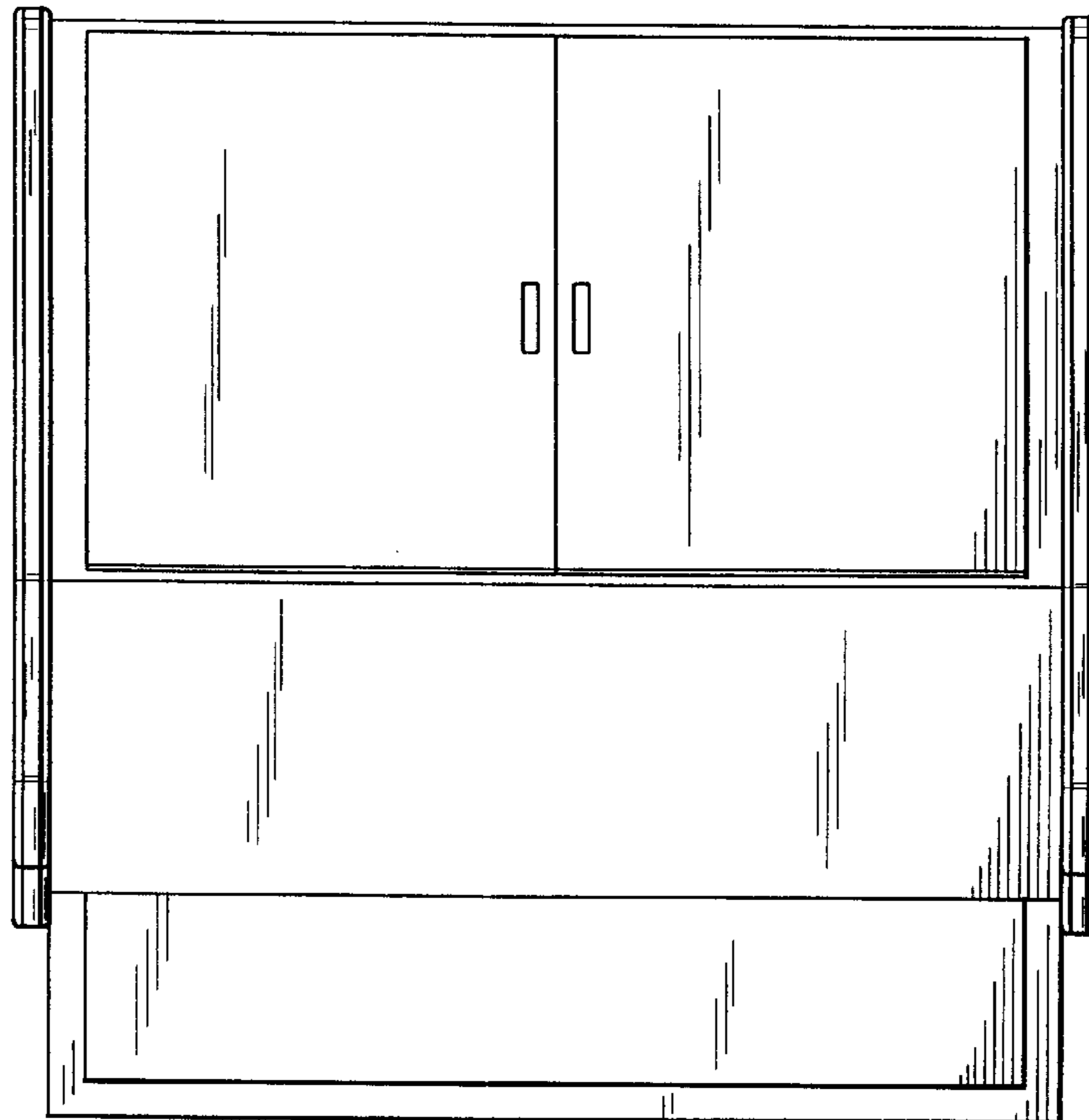


FIG. 10