



US00D438394S

(12) **United States Design Patent**  
**Tseng**

(10) **Patent No.:** **US D438,394 S**

(45) **Date of Patent:** **\*\* Mar. 6, 2001**

(54) **FOLDABLE CHAIR**

(75) Inventor: **Chuen-Jong Tseng**, Chiayi Hsien (TW)

(73) Assignee: **Shin Yeh Enterprise Co., Ltd.**, Chiayi Hsien (TW)

(\*\*) Term: **14 Years**

(21) Appl. No.: **29/120,893**

(22) Filed: **Mar. 28, 2000**

(51) **LOC (7) Cl.** ..... **06-01**

(52) **U.S. Cl.** ..... **D6/368**

(58) **Field of Search** ..... D6/334, 335, 367,  
D6/368, 370, 374, 375, 379, 380, 500-502;  
297/26, 27, 28, 34, 35, 353, 16.1

(56) **References Cited**

**U.S. PATENT DOCUMENTS**

- D. 179,335 \* 11/1956 Wright ..... D6/368
- D. 413,447 \* 9/1999 Tseng ..... D6/368
- D. 417,561 \* 12/1999 Liu ..... D6/368

- D. 429,574 \* 8/2000 Van Engelen ..... D6/368
- 3,659,898 \* 5/1972 Yellin ..... 297/27
- 5,464,270 \* 11/1995 Chang ..... 297/28
- 6,095,607 \* 8/2000 Venzel ..... 297/16.1

\* cited by examiner

*Primary Examiner*—Doris V. Coles

*Assistant Examiner*—Mimosa De

(74) *Attorney, Agent, or Firm*—Ladas & Parry

(57) **CLAIM**

The ornamental design for a foldable chair, as shown and described.

**DESCRIPTION**

FIG. 1 is a perspective view of foldable chair showing my new design;

FIG. 2 is a front elevational view thereof;

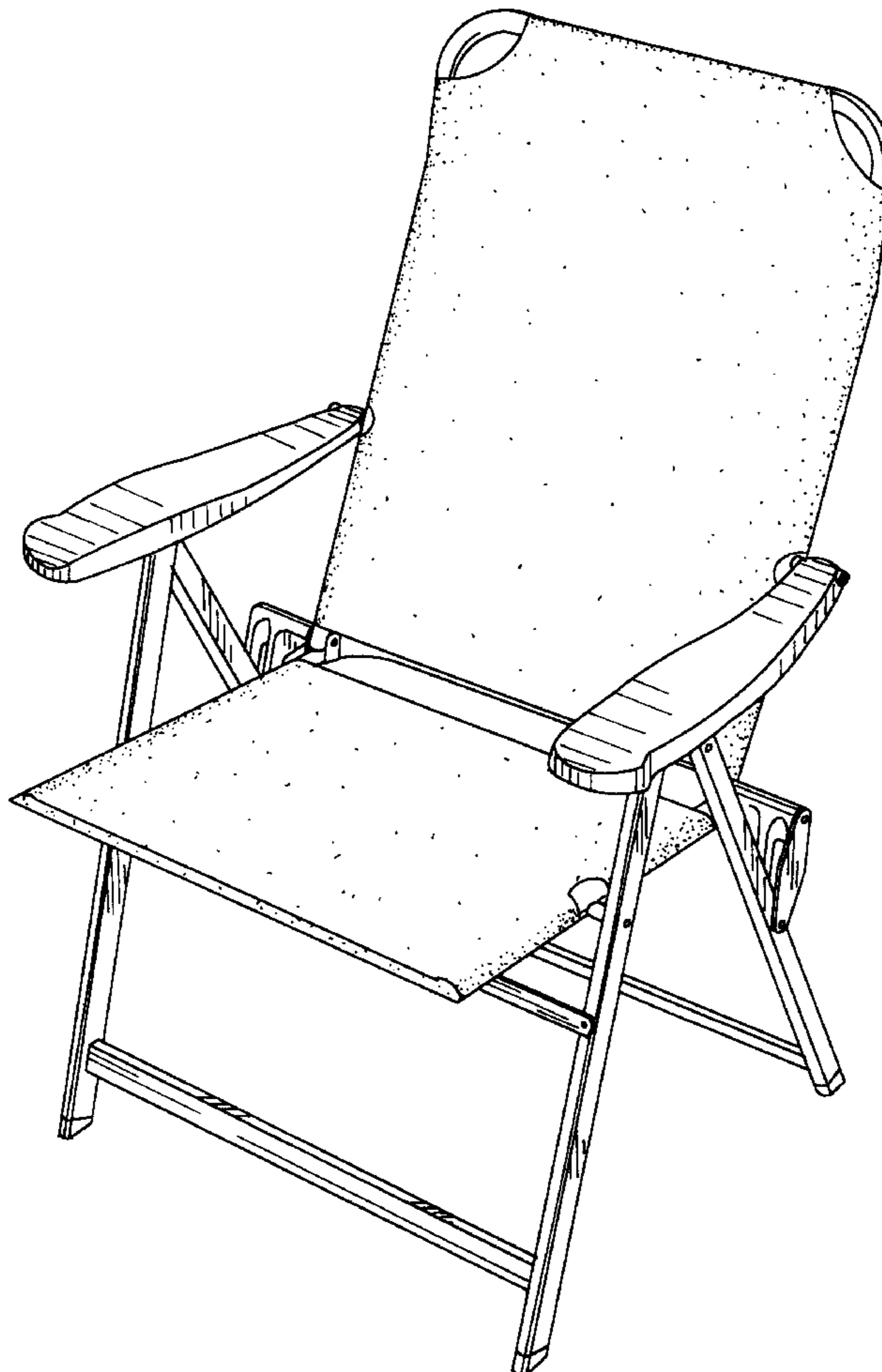
FIG. 3 is a rear elevational view thereof;

FIG. 4 is a left side elevational view thereof;

FIG. 5 is a right side elevational view thereof; and,

FIG. 6 is a top plan view thereof.

**1 Claim, 4 Drawing Sheets**



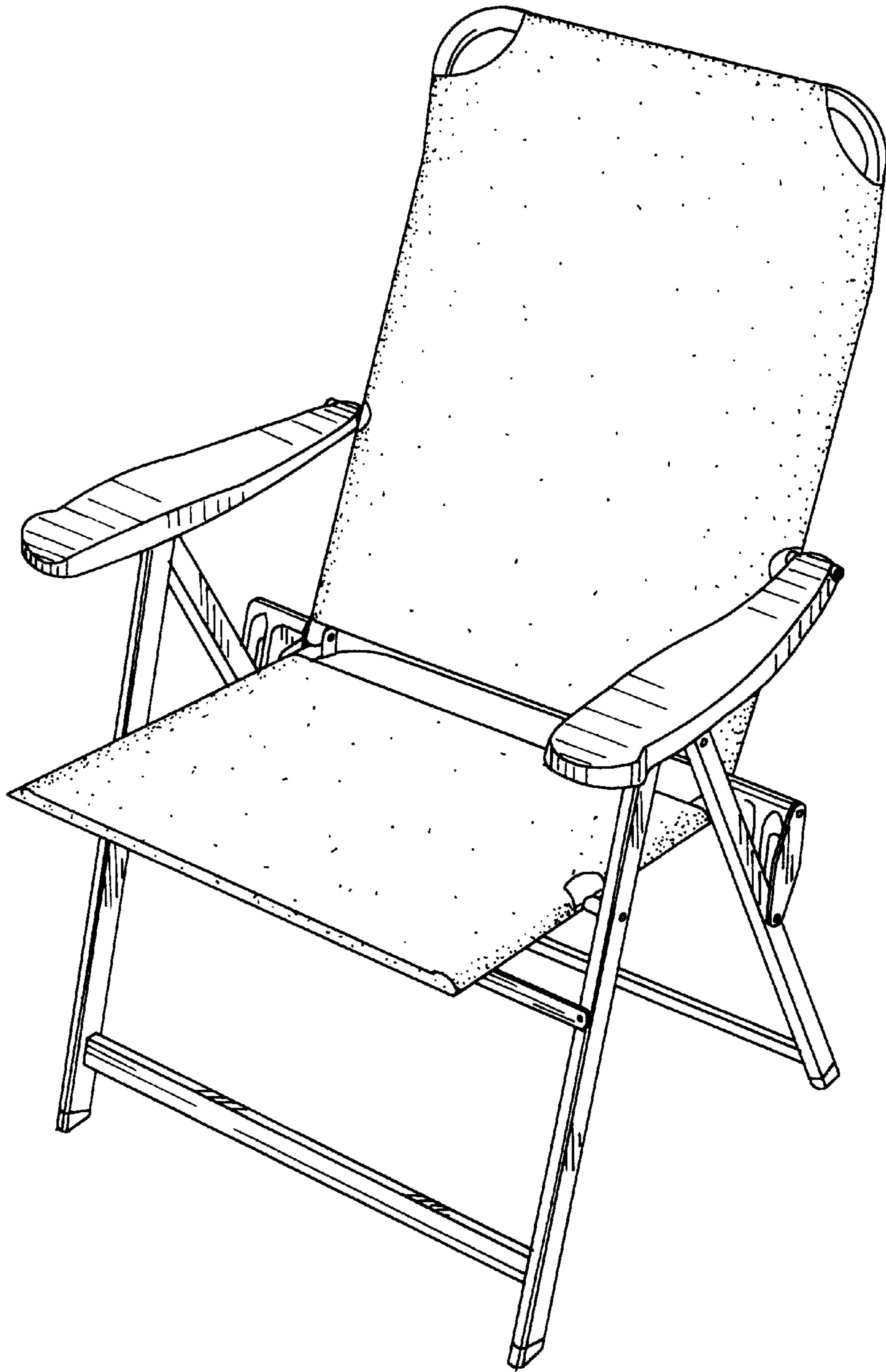


FIG. 1

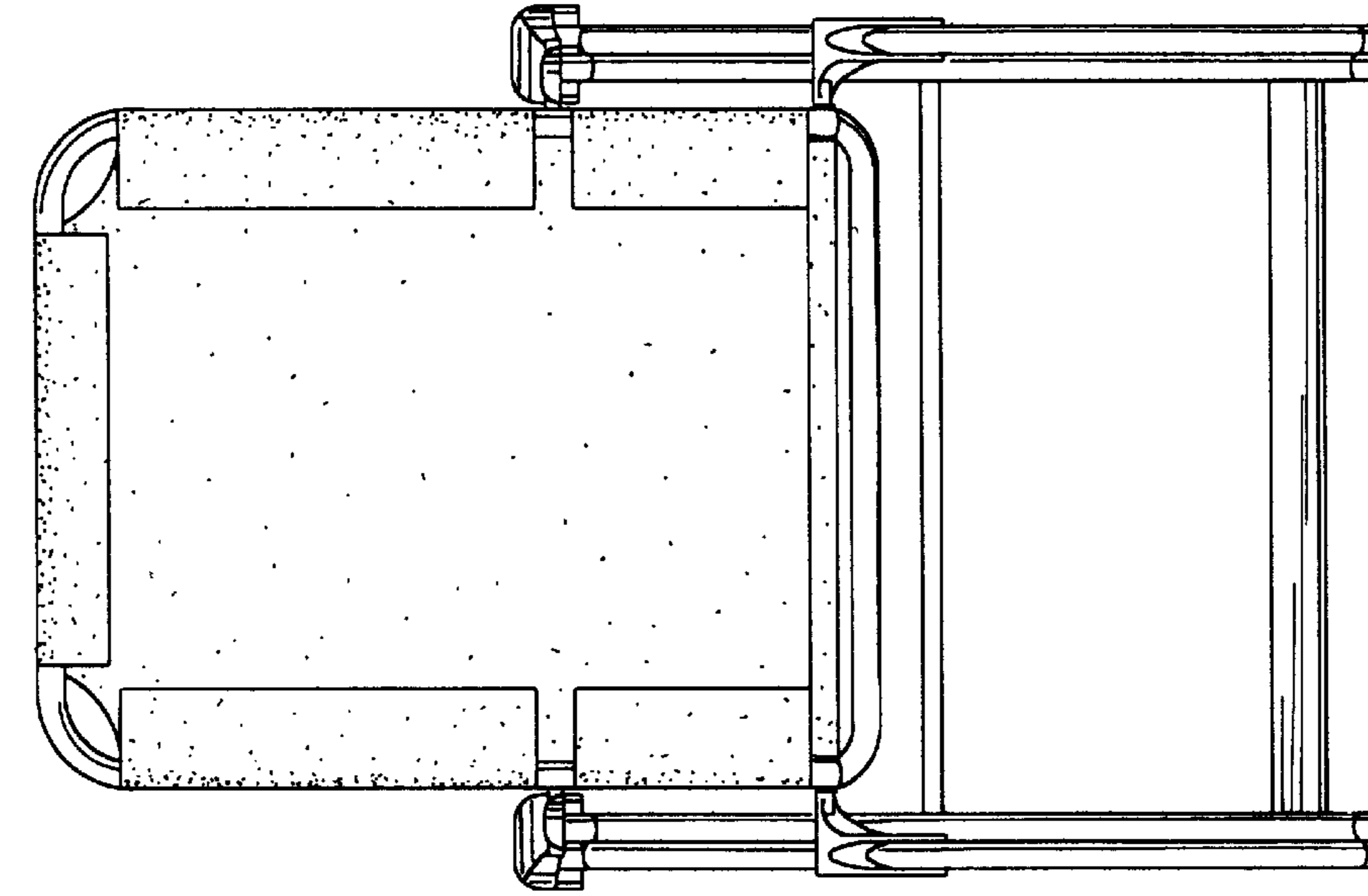


FIG. 2

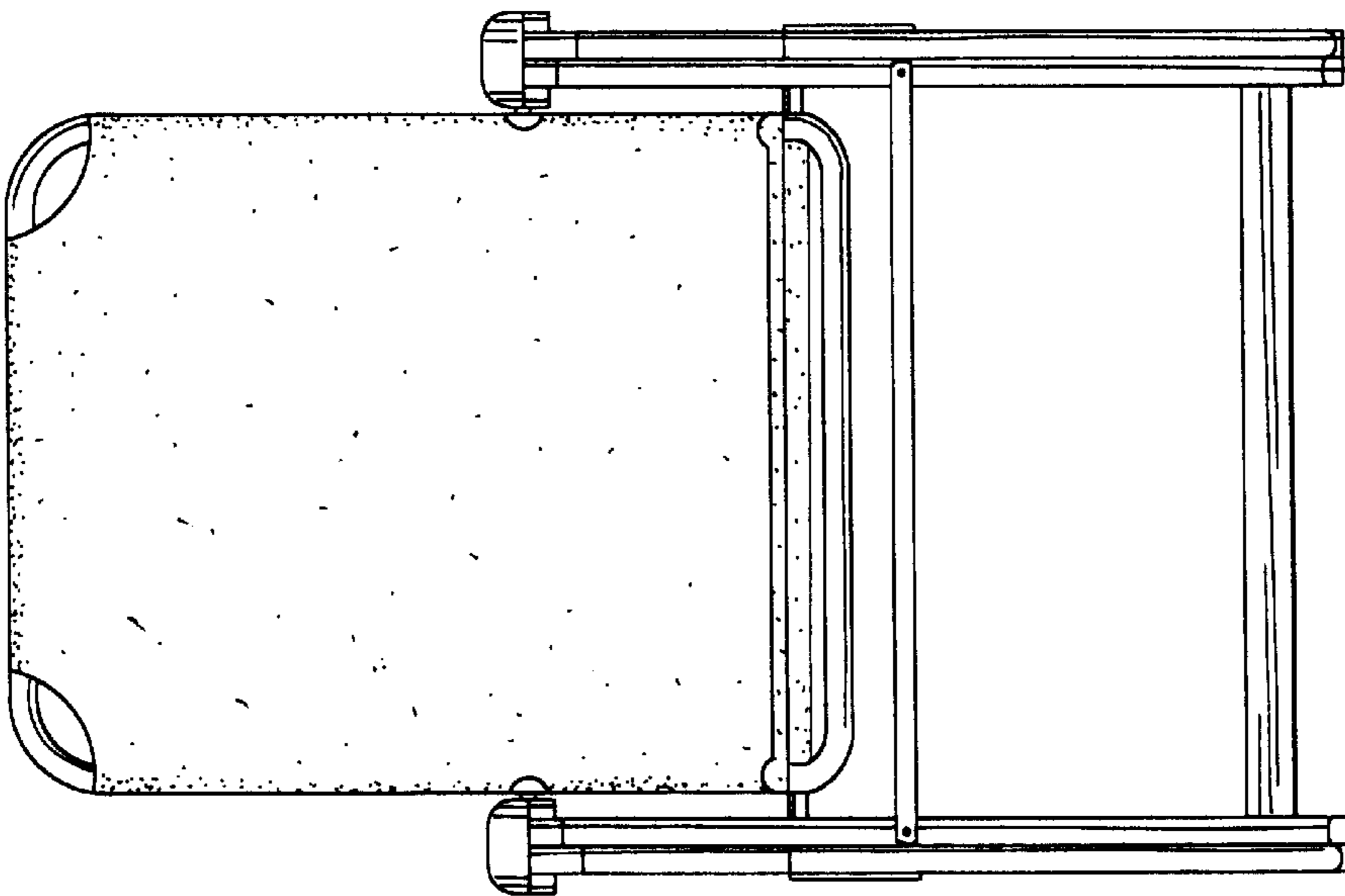


FIG. 3

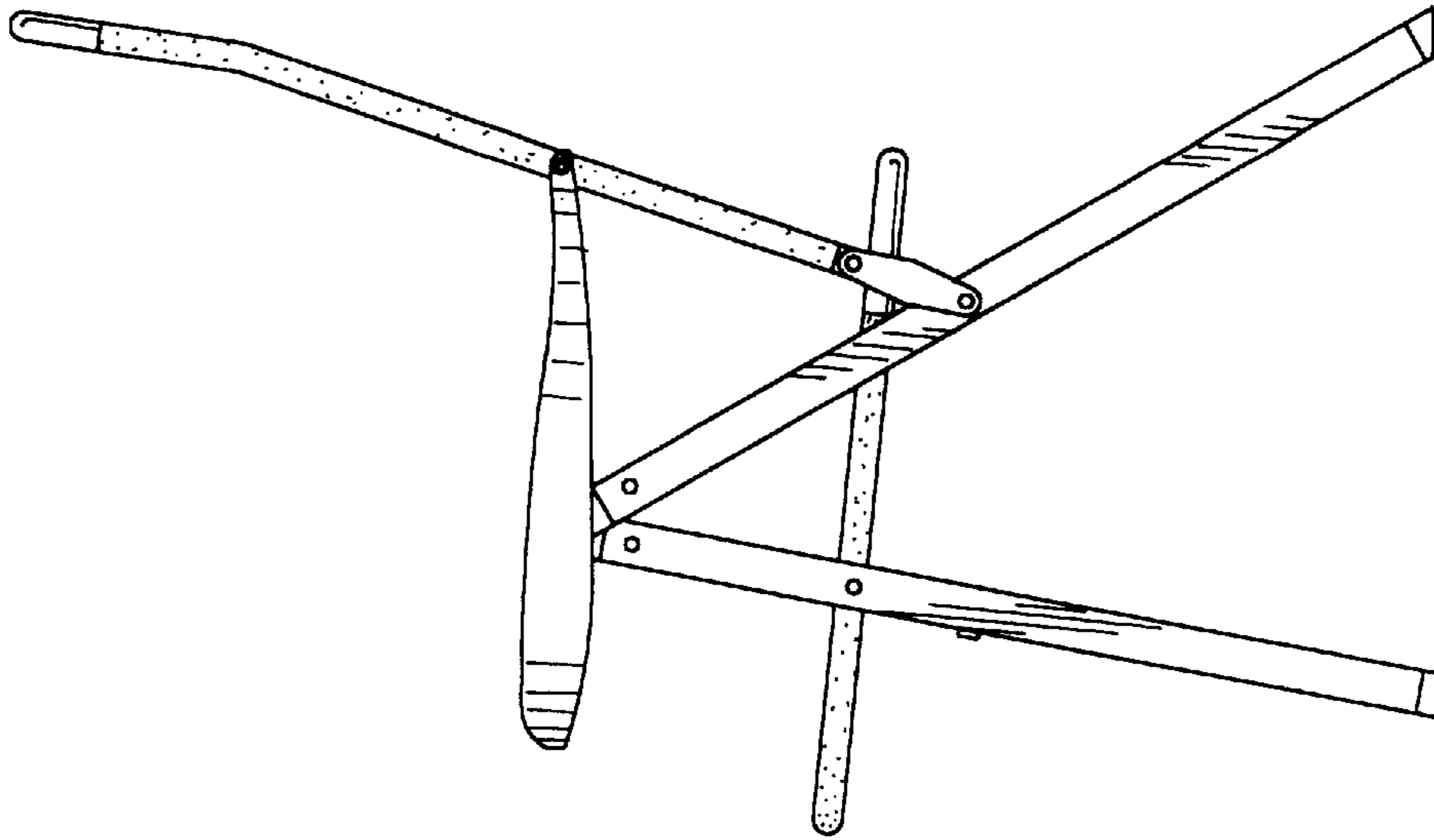


FIG. 5

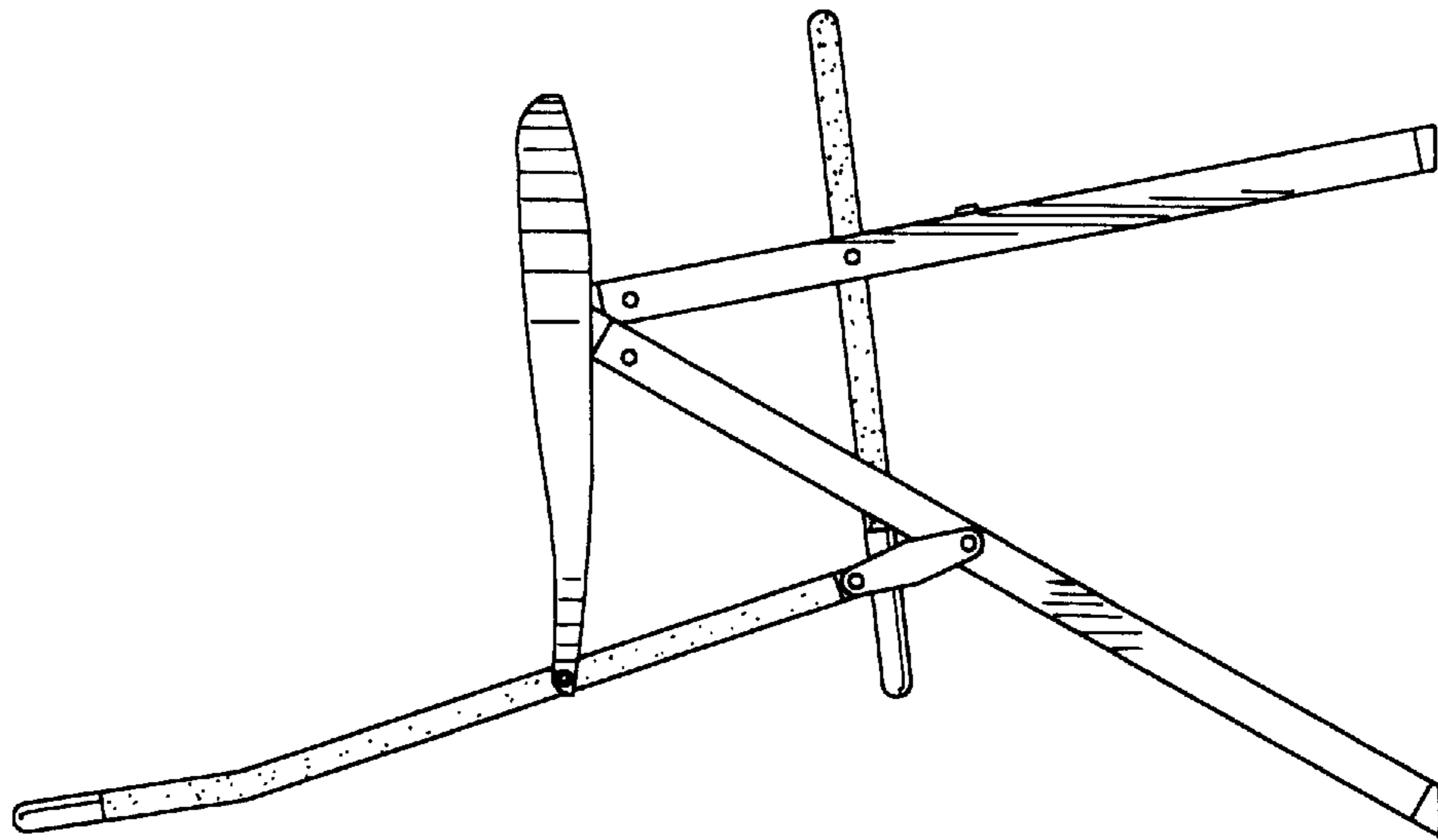


FIG. 4

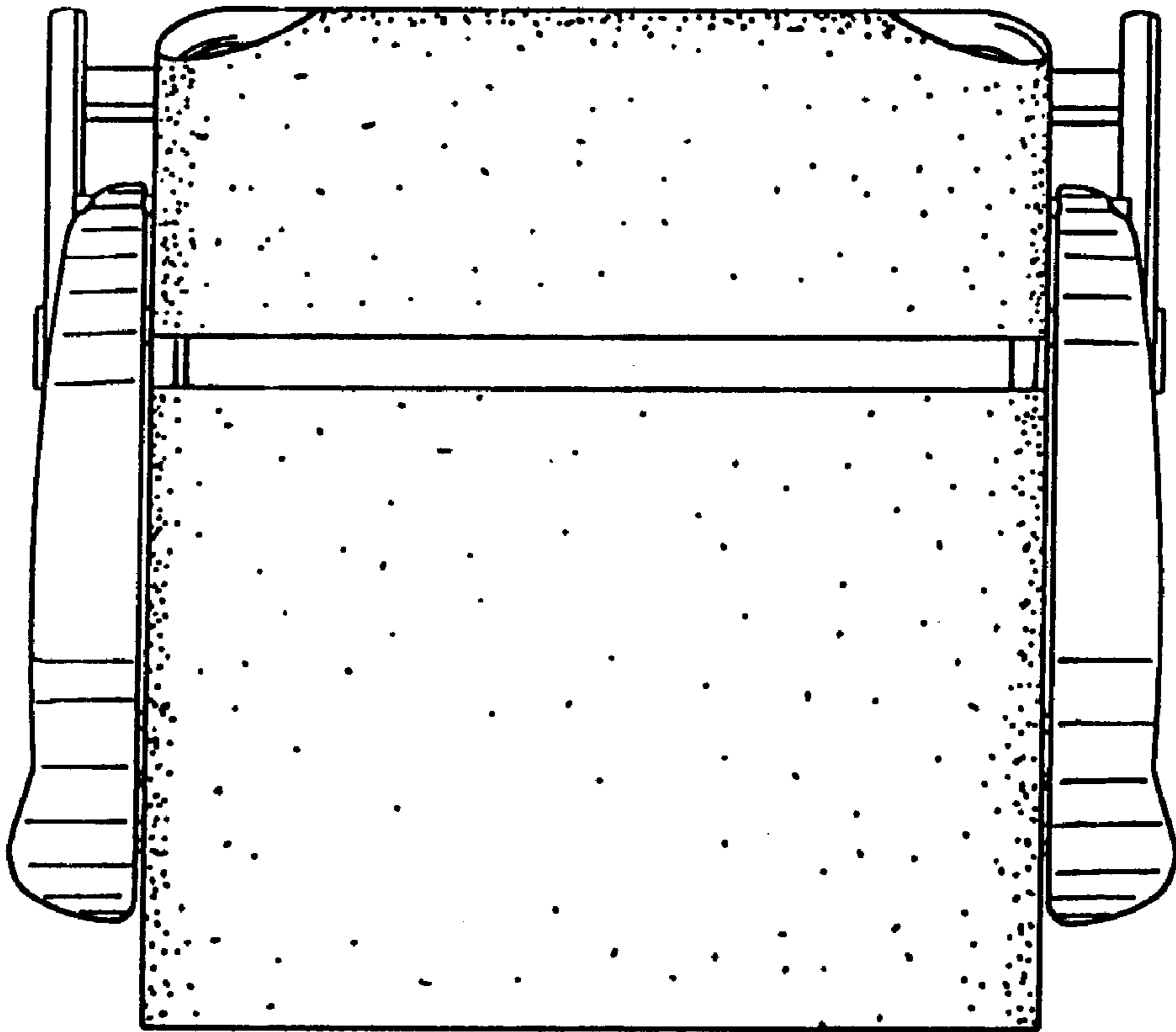


FIG. 6