



US00D438392S

(12) **United States Design Patent**  
**Lucci et al.**

(10) **Patent No.:** **US D438,392 S**

(45) **Date of Patent:** **\*\* Mar. 6, 2001**

(54) **CHAIR**

(75) Inventors: **Roberto Lucci**, Lomazzo; **Paolo Orlandini**, Sedriano, both of (IT)

(73) Assignee: **Lamm S.p.A.** (IT)

(\*\*) Term: **14 Years**

(21) Appl. No.: **29/111,194**

(22) Filed: **Sep. 22, 1999**

(30) **Foreign Application Priority Data**

Mar. 25, 1999 (IT) ..... BS9900011

(51) **LOC (7) Cl.** ..... **06-01**

(52) **U.S. Cl.** ..... **D6/366**

(58) **Field of Search** ..... D6/334, 335, 364,  
D6/365, 366, 367, 379, 380, 500, 501,  
502; 297/411.2, 411.27

(56) **References Cited**

**U.S. PATENT DOCUMENTS**

D. 274,482 \* 7/1984 Caldwell ..... D6/366

D. 275,158 \* 8/1984 Aronowitz et al. .... D6/366  
D. 288,389 \* 2/1987 Ochsner ..... D6/366  
D. 308,606 \* 6/1990 Behringer ..... D6/366  
D. 311,287 \* 10/1990 Behringer ..... D6/366  
D. 320,120 \* 9/1991 Samuelsson ..... D6/366

\* cited by examiner

*Primary Examiner*—Gary D. Watson

(74) *Attorney, Agent, or Firm*—McGlew and Tuttle, P.C.

(57) **CLAIM**

The ornamental design for a chair, as shown and described.

**DESCRIPTION**

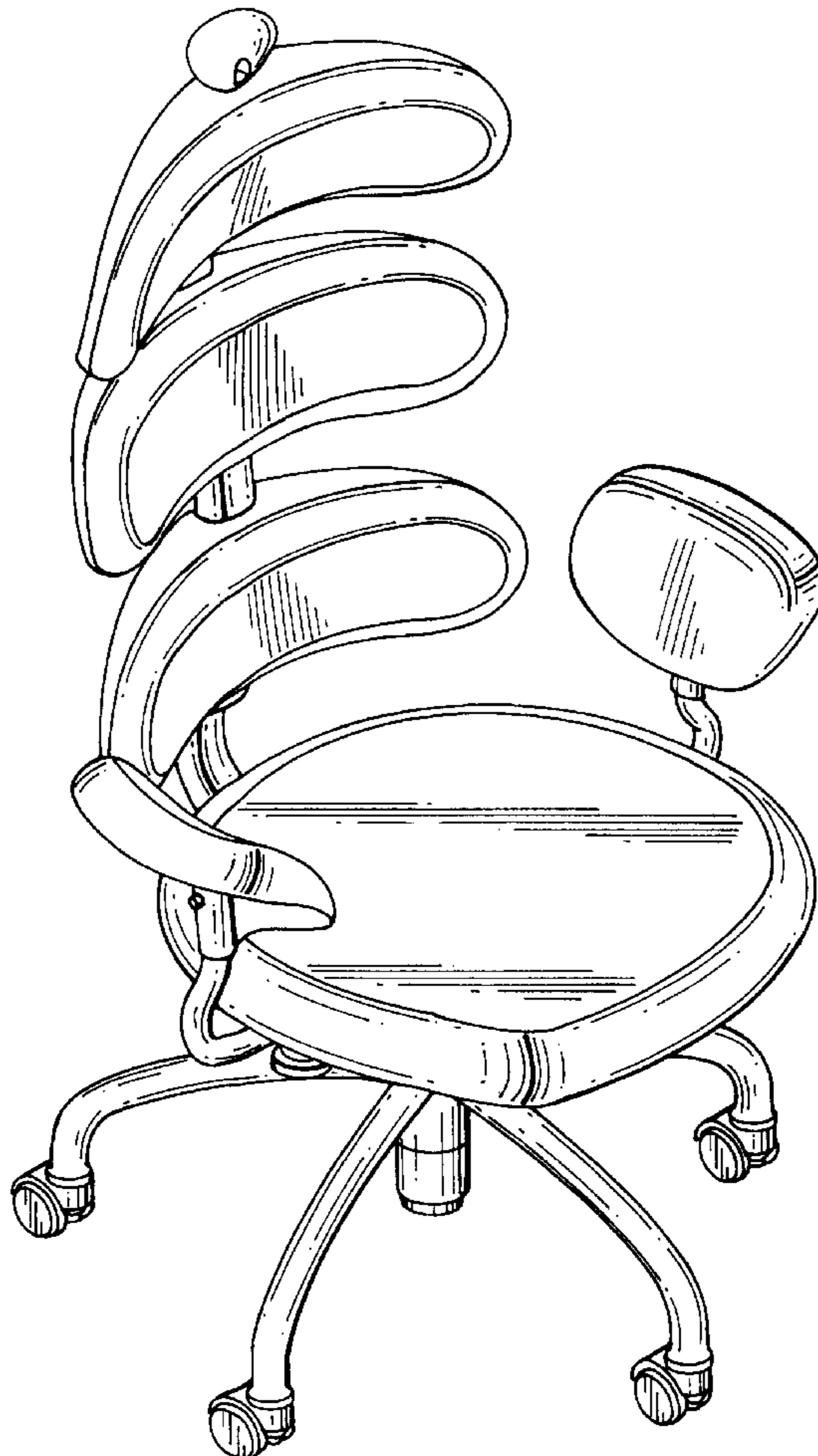
FIG. 1 is a perspective view of my new chair design;  
FIG. 2 is a right side view thereof, wherein the left side view  
is substantially a mirror image thereof (apart from the lower  
actuating elements);

FIG. 3 is a front view thereof; and,

FIG. 4 is a top view thereof.

The portions of the chair which have not been shown in the  
drawings or described in the specification form no part of the  
claimed design.

**1 Claim, 2 Drawing Sheets**



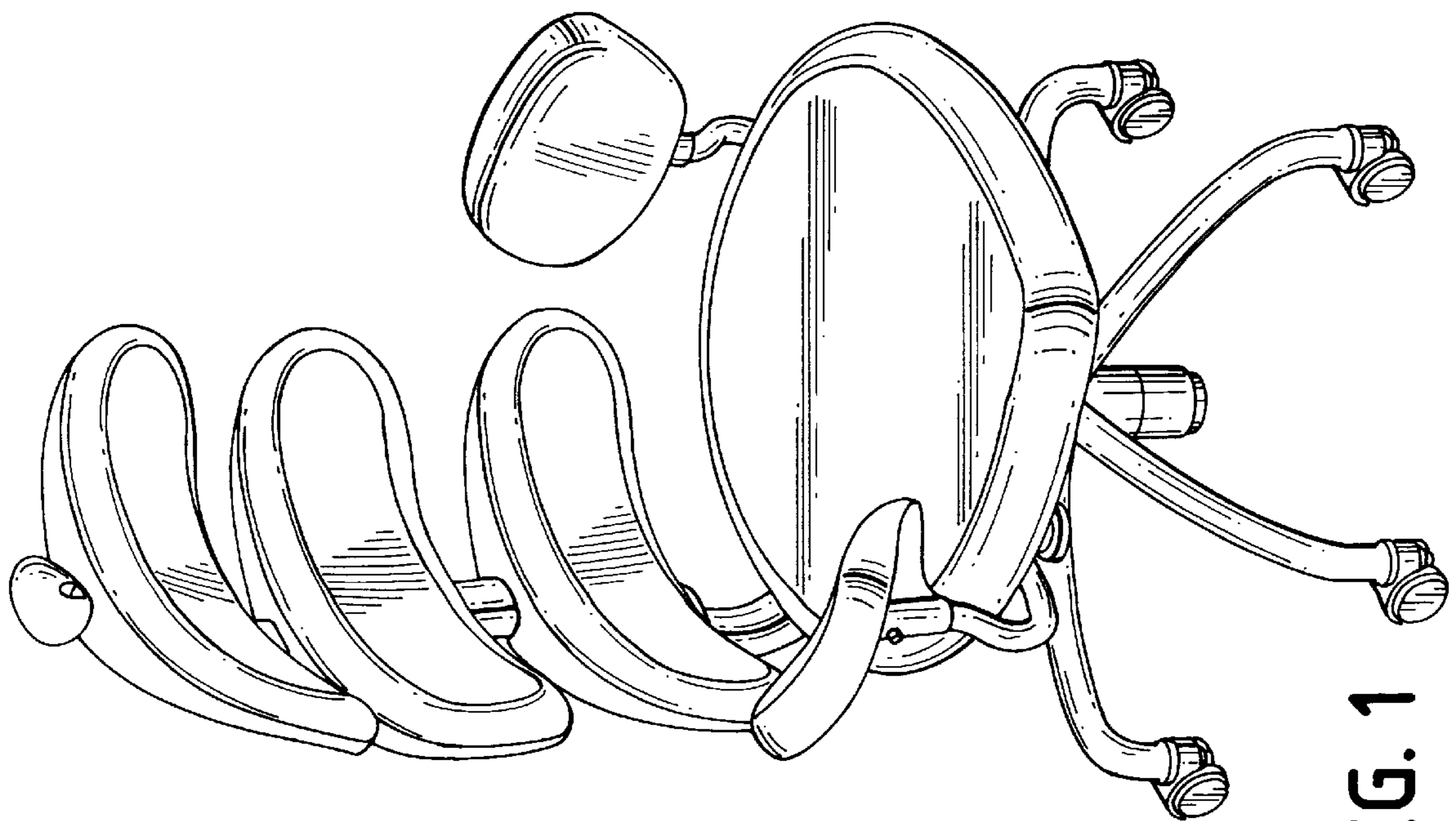


FIG. 1

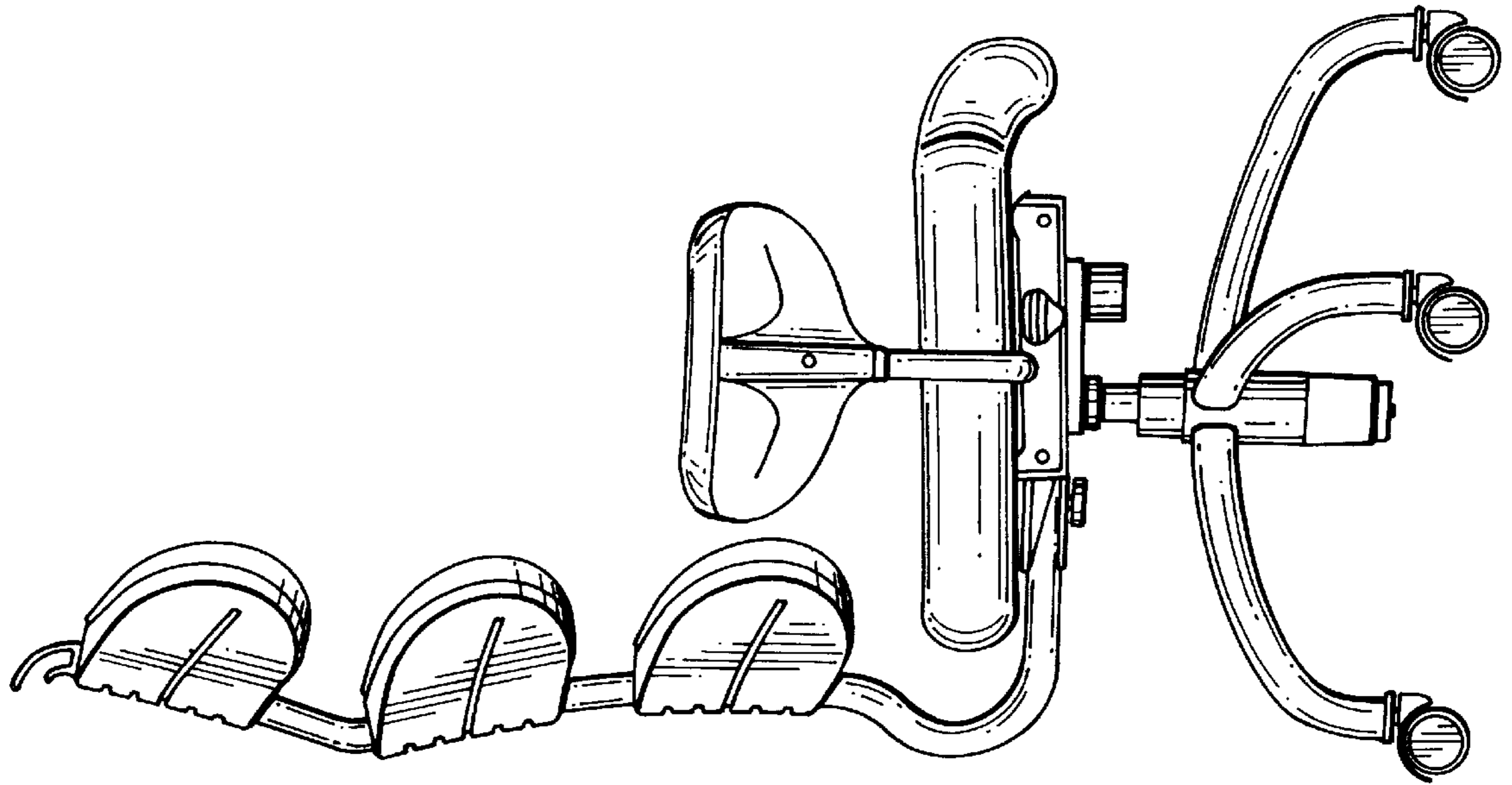


FIG. 2

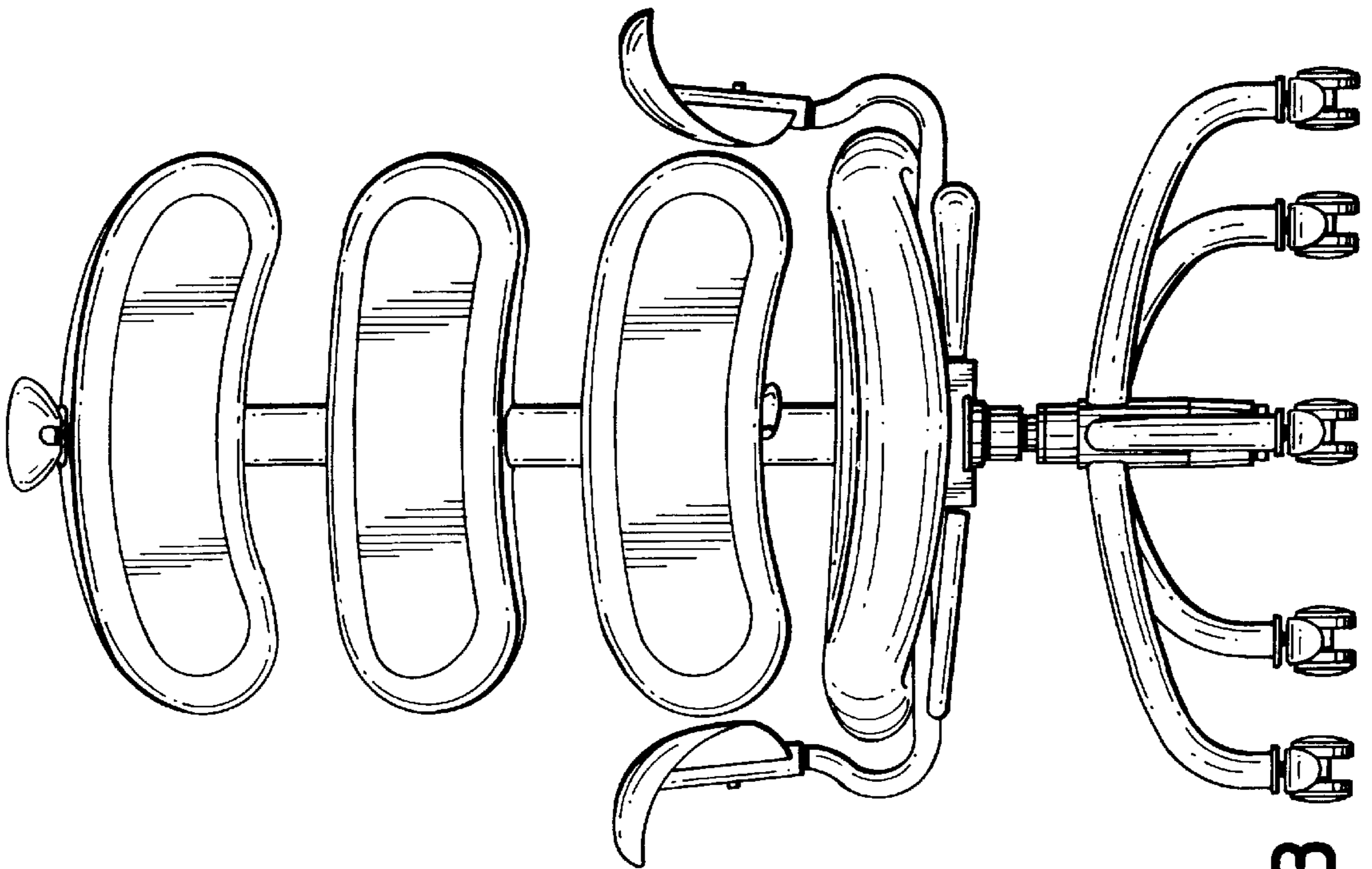


FIG. 3

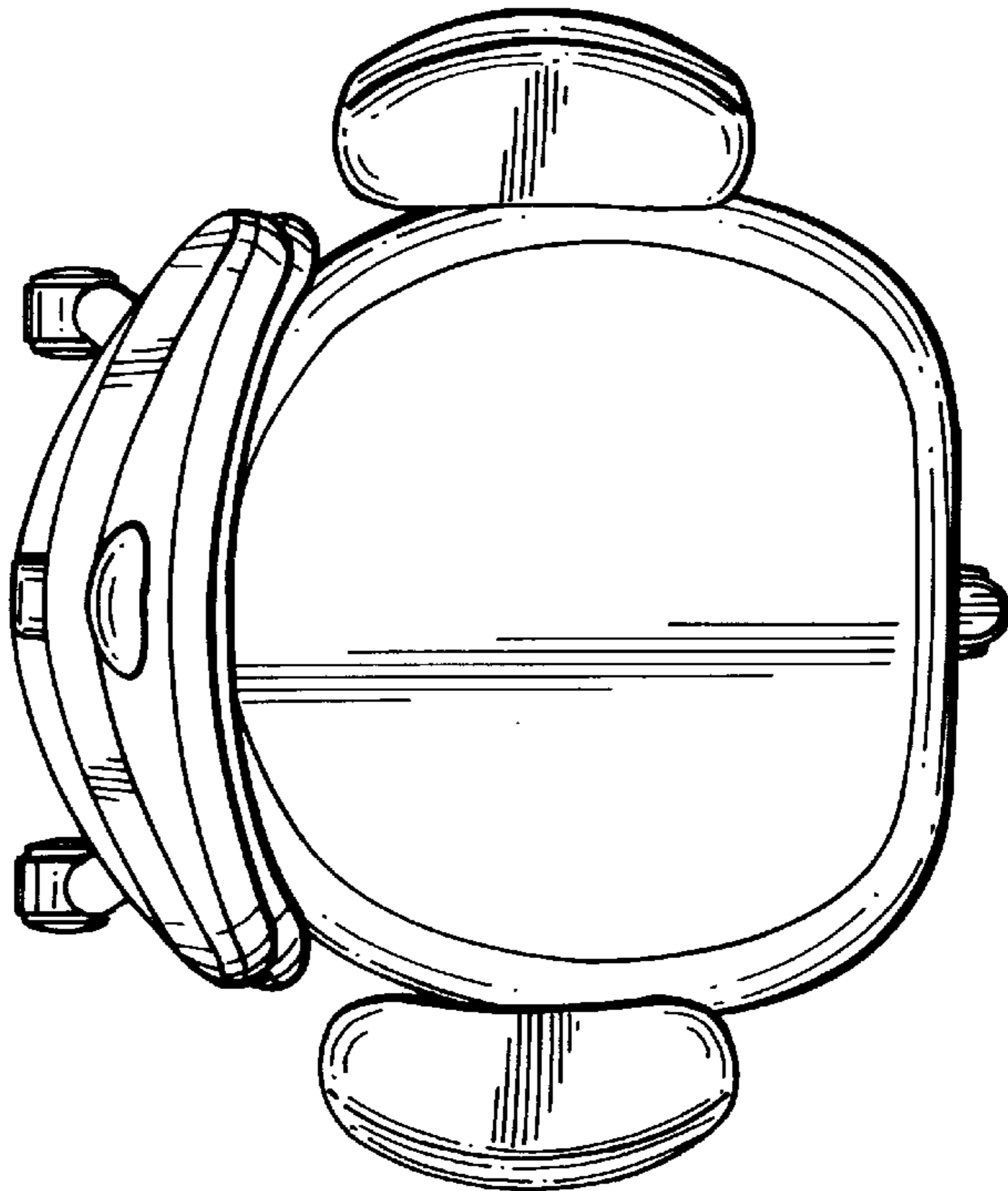


FIG. 4