



US00D438389S

(12) **United States Design Patent**
Ross et al.

(10) **Patent No.:** **US D438,389 S**
(45) **Date of Patent:** **** Mar. 6, 2001**

(54) **FREE-STANDING MIRROR**
(76) Inventors: **Shirley A. Ross**, 5005 Longstreet Pl.,
Unit #28, Bossier City, LA (US) 71112;
Fred D. Heiner, 5155 Downs Rd.,
Beaumont, TX (US) 77705

4,339,104 7/1982 Weidman 248/407
5,012,852 5/1991 Blackhurst 160/351
5,028,029 7/1991 Beck et al. 248/479
5,359,461 10/1994 Rice et al. 359/874
5,556,070 * 9/1996 Viebrock 248/469

(**) Term: **14 Years**

* cited by examiner

Primary Examiner—Janice E. Seeger
(74) *Attorney, Agent, or Firm*—John M. Harrison

(21) Appl. No.: **29/121,492**

(22) Filed: **Apr. 10, 2000**

(57) **CLAIM**

The ornamental design for a free-standing mirror, as shown and described.

(51) **LOC (7) Cl.** **06-07**

(52) **U.S. Cl.** **D6/312**

(58) **Field of Search** D6/300–314; 40/711,
40/714–716, 739, 743, 746, 749, 765, 780,
789, 790; 248/466, 469, 472; 359/879,
871, 872

DESCRIPTION

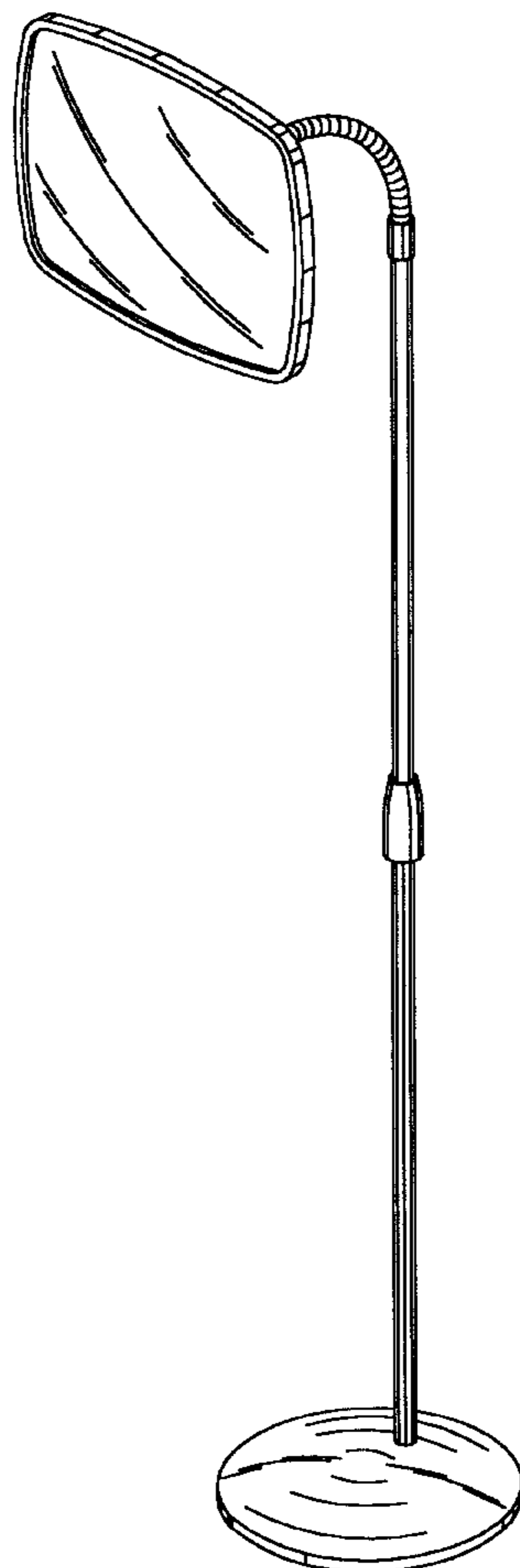
FIG. 1 is a front perspective view of the free-standing mirror, showing my new design;
FIG. 2 is a rear perspective view of the free-standing mirror;
FIG. 3 is a front elevational view thereof;
FIG. 4 is a rear elevational view thereof;
FIG. 5 is a top plan view thereof;
FIG. 6 is a bottom plan view thereof;
FIG. 7 is a right side elevational view thereof; and,
FIG. 8 is a left side elevational view of the free-standing mirror illustrated in FIGS. 1–7.

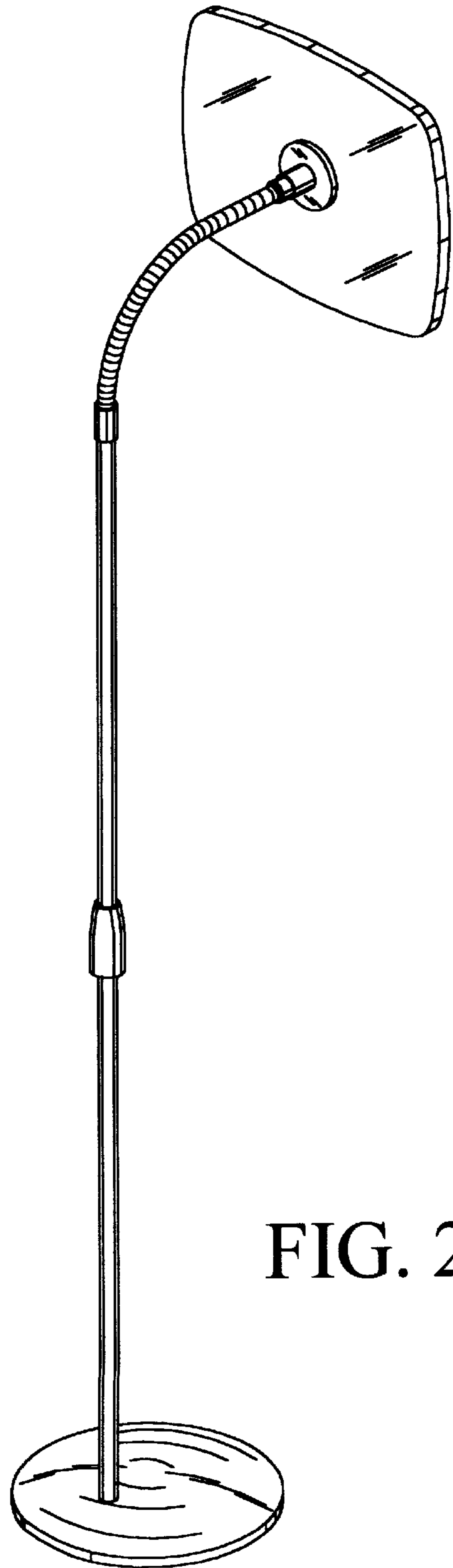
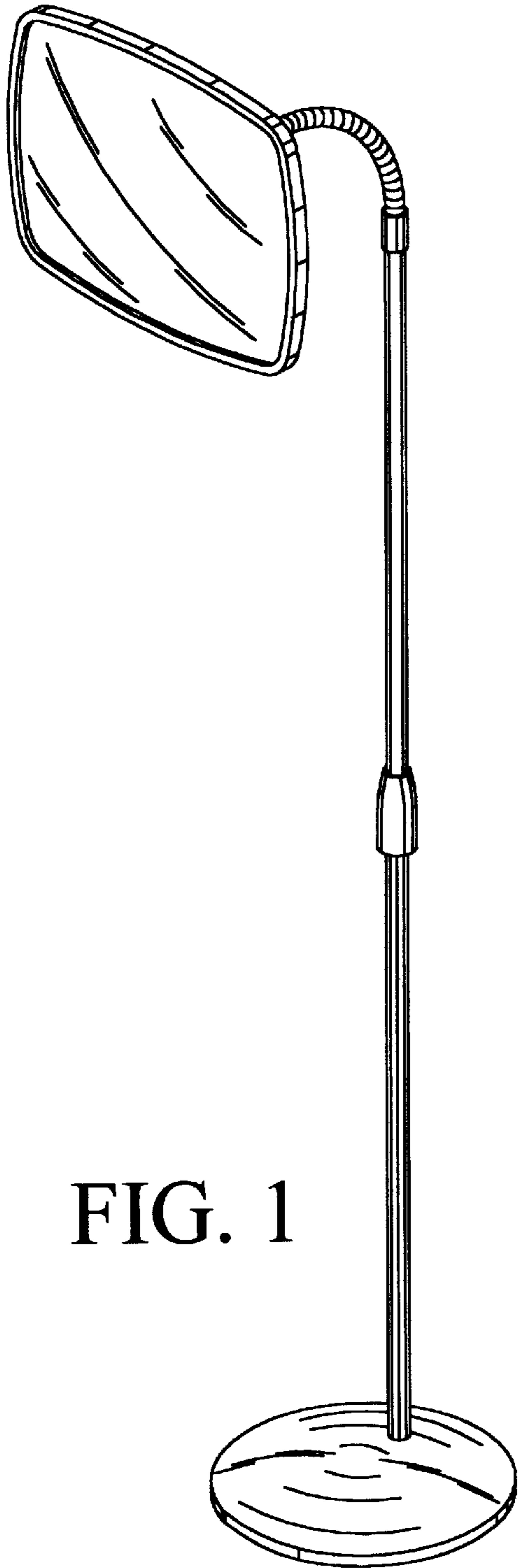
(56) **References Cited**

U.S. PATENT DOCUMENTS

D. 78,519 * 5/1929 Hoegger D6/300
D. 160,995 * 11/1950 Busa D6/301
D. 216,414 * 12/1969 Hanson D6/308
1,220,069 3/1917 Capdevila .
3,781,093 12/1973 Grabijas 350/288

1 Claim, 3 Drawing Sheets





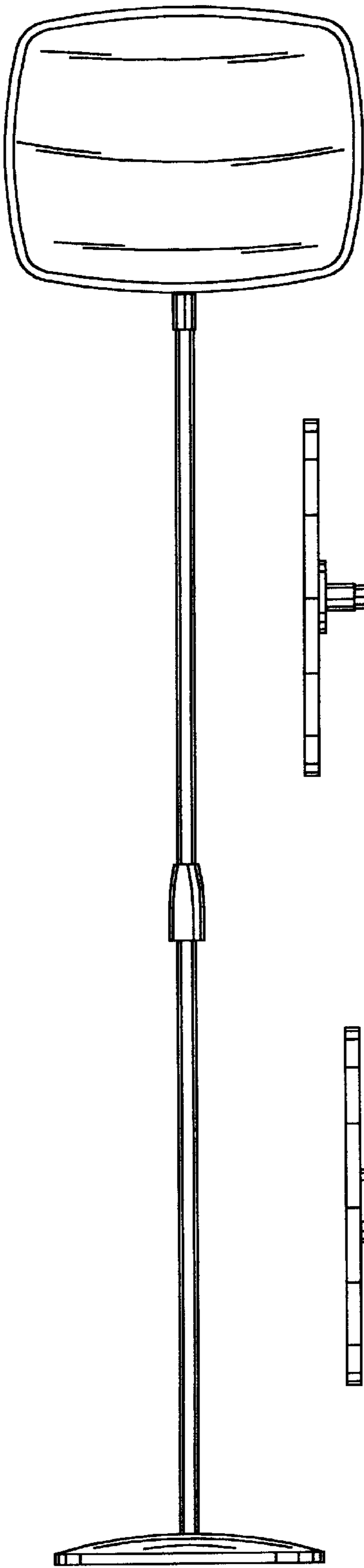


FIG. 3

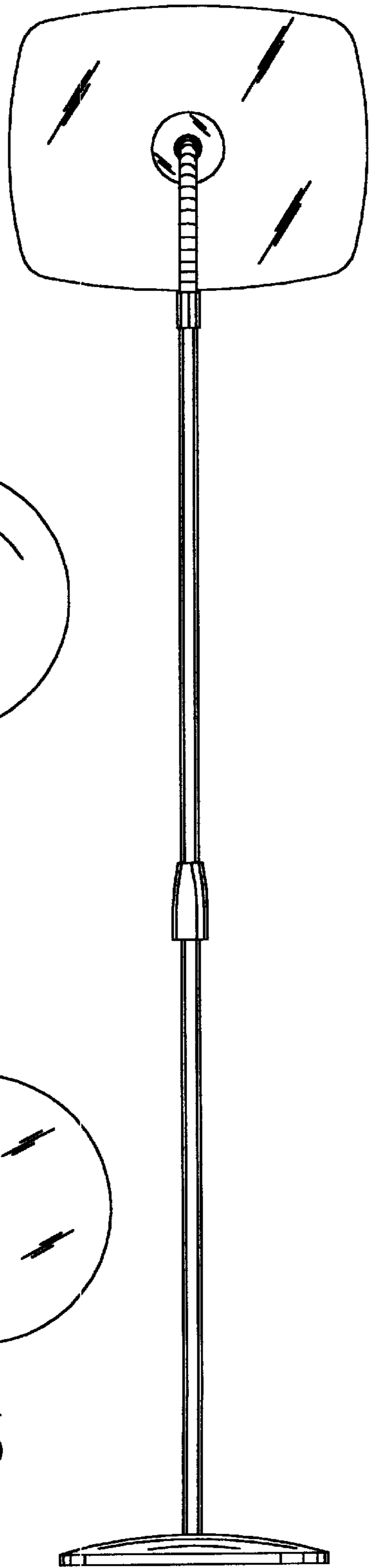


FIG. 4

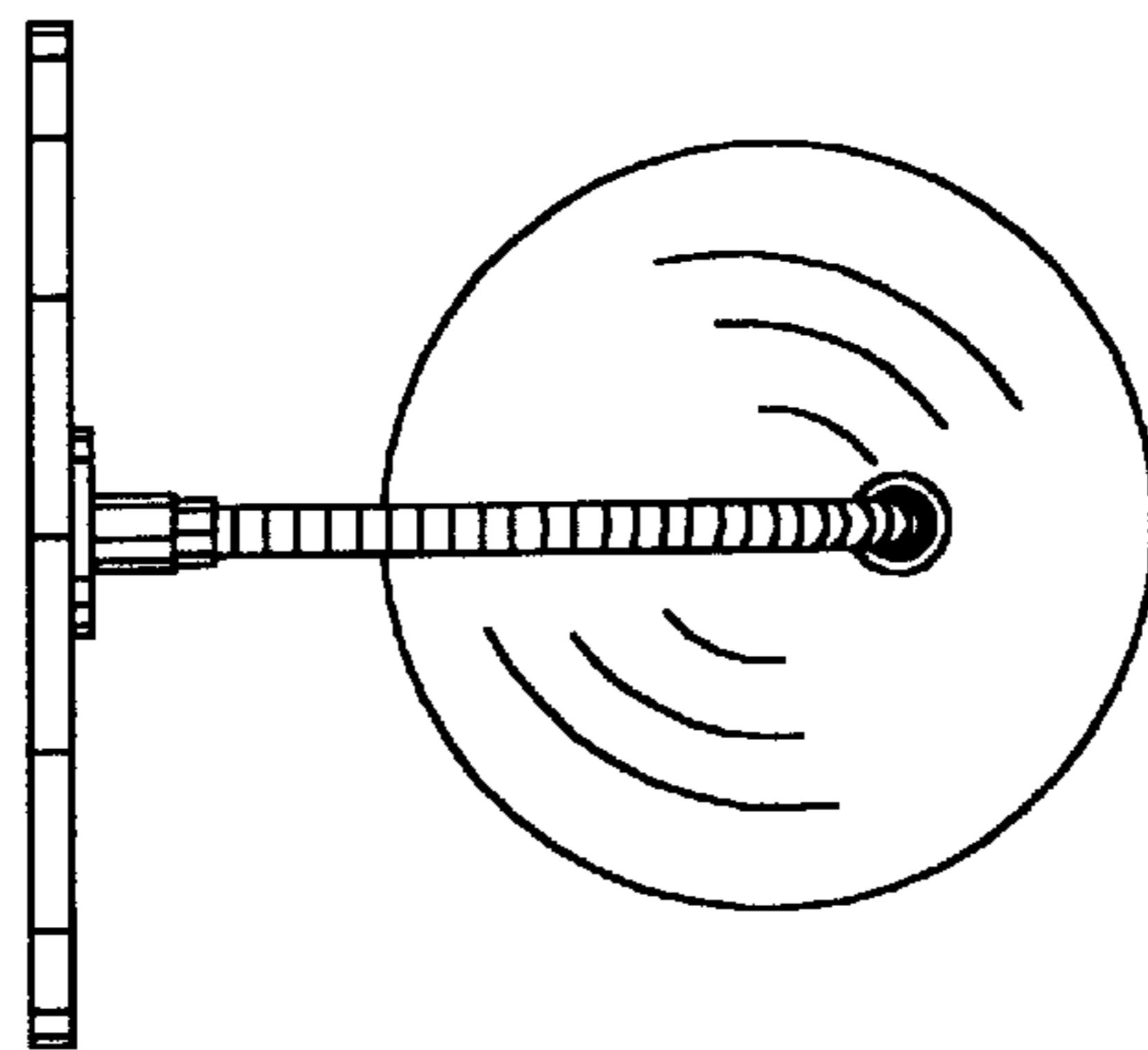


FIG. 5

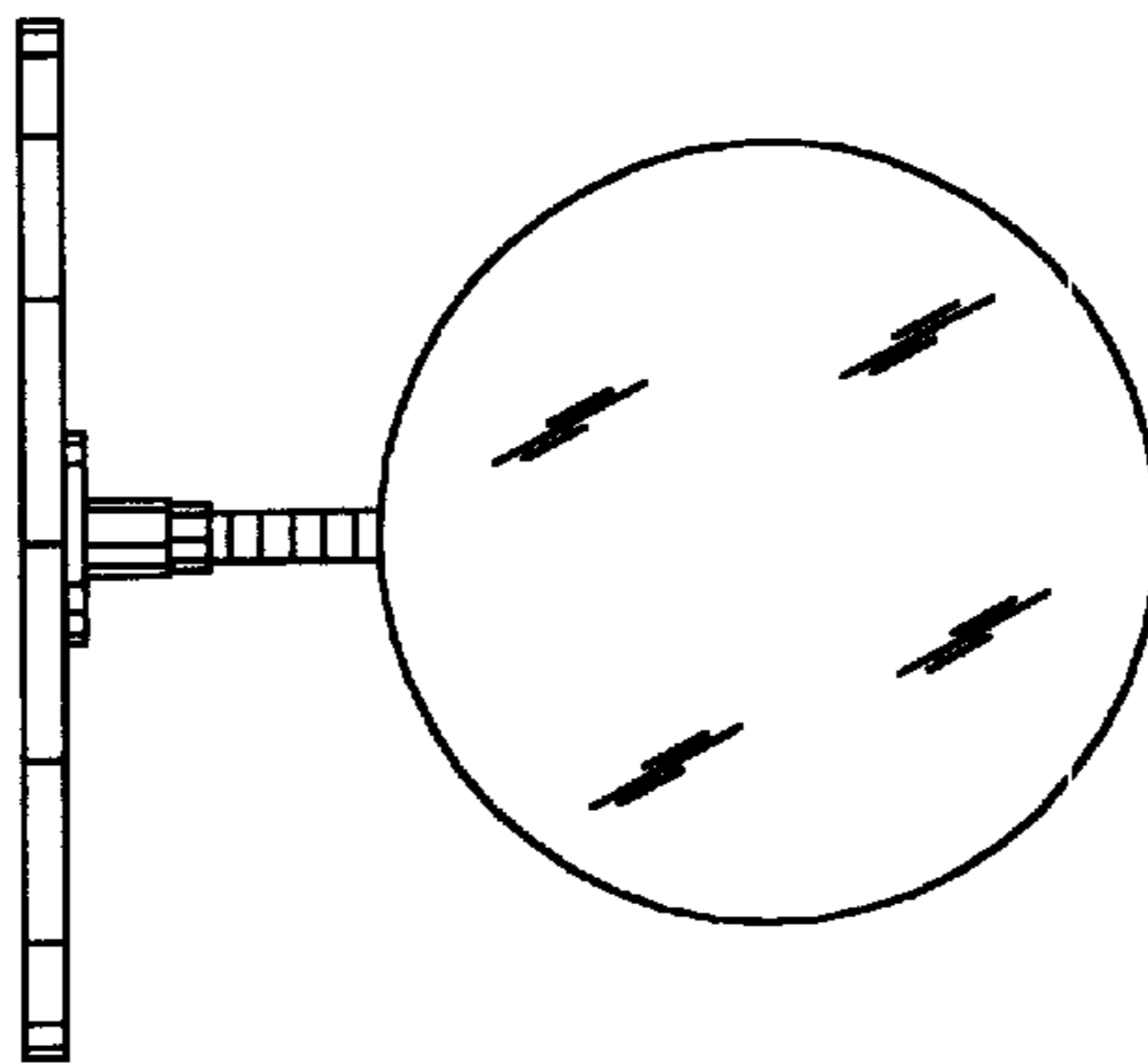


FIG. 6

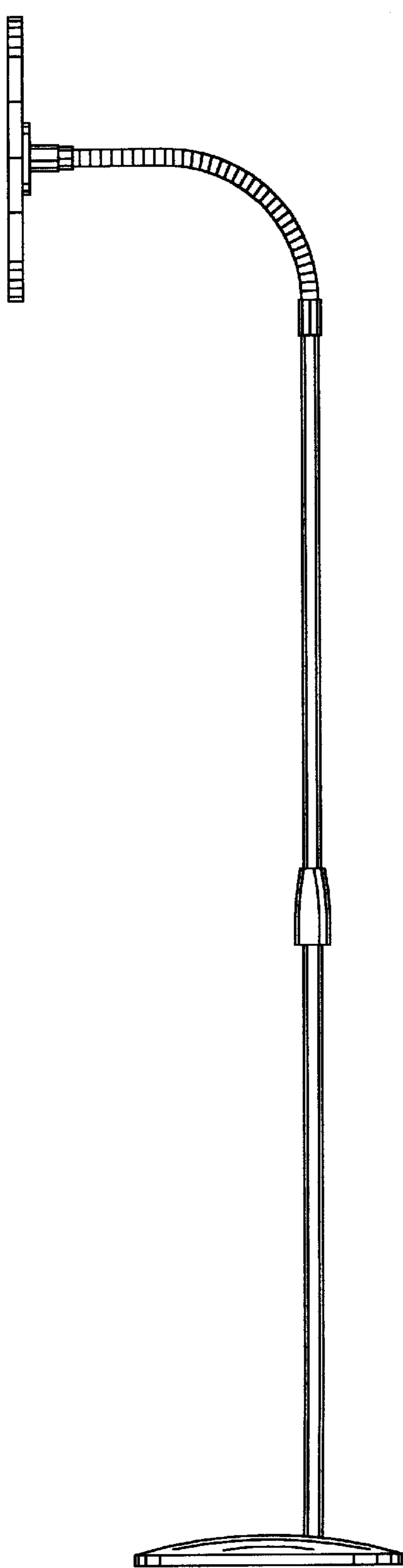


FIG. 7

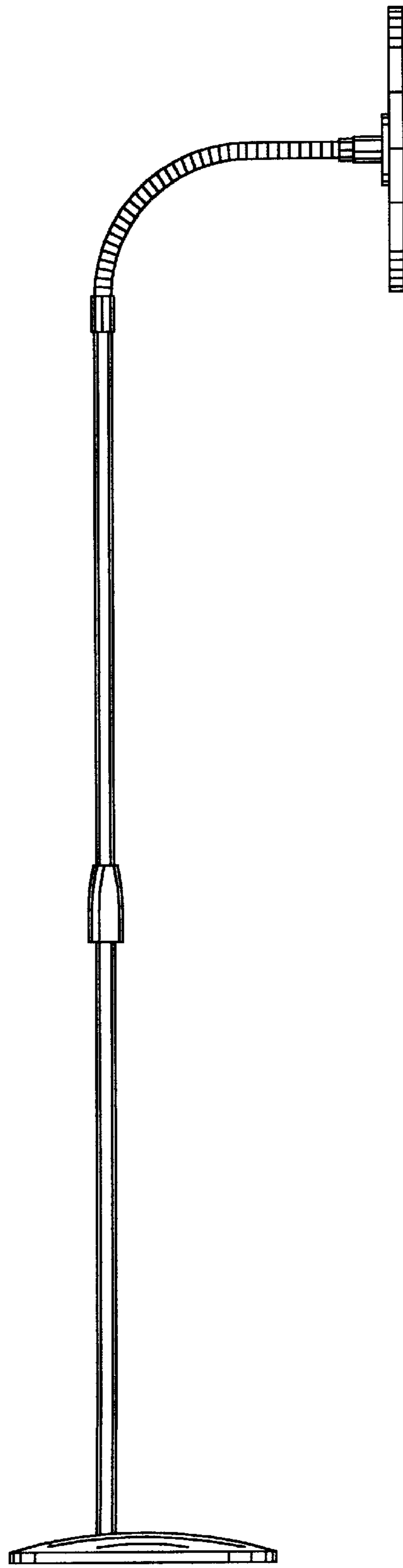


FIG. 8