



US00D438388S

(12) **United States Design Patent**
Cheung

(10) **Patent No.:** **US D438,388 S**

(45) **Date of Patent:** **** Mar. 6, 2001**

(54) **HAIR BRUSH**

(76) Inventor: **Kwong Cheung**, Flat C, 8/F, Block 1,
No. 8 Forfar Road (Arcadia Garden),
Kowloon (HK)

(**) Term: **14 Years**

(21) Appl. No.: **29/100,258**

(22) Filed: **Feb. 8, 1999**

(51) **LOC (7) Cl.** **04-02**

(52) **U.S. Cl.** **D4/136**

(58) **Field of Search** D4/133, 134, 136,
D4/138; 15/143.1, 159.1, 160, 186-188;
132/120, 271, 313; 601/136, 137

(56) **References Cited**

U.S. PATENT DOCUMENTS

- D. 238,316 * 1/1976 Kahn D4/136
- D. 244,568 * 6/1977 Lepisto et al. D4/136
- D. 263,768 * 4/1982 Birch D4/136
- D. 290,910 * 7/1987 Steadman et al. D4/136
- D. 366,567 * 1/1996 Gertsma et al. D4/136

OTHER PUBLICATIONS

Hong Kong Enterprise, vol. 19, Brush—Item No. CB1494R,
p. 252, Oct. 1996.*

* cited by examiner

Primary Examiner—Alan P. Douglas

Assistant Examiner—Lavone Tabor

(74) *Attorney, Agent, or Firm*—Sidney N. Fox

(57) **CLAIM**

The ornamental design for a hair brush, as shown and described.

DESCRIPTION

FIG. 1 is a perspective view of a hair brush showing my new design;

FIG. 2 is an end elevational view of the hair brush end thereof;

FIG. 3 is an end elevational view of the handle end thereof;

FIG. 4 is a side elevational view of the hair brush, the opposite side being a mirror image;

FIG. 5 is a top plan view thereof;

FIG. 6 is a bottom plan view thereof;

FIG. 7 is a perspective view of a second embodiment of a hair brush showing my new design;

FIG. 8 is an end elevational view of the brush end thereof;

FIG. 9 is an end elevational view of the handle end thereof;

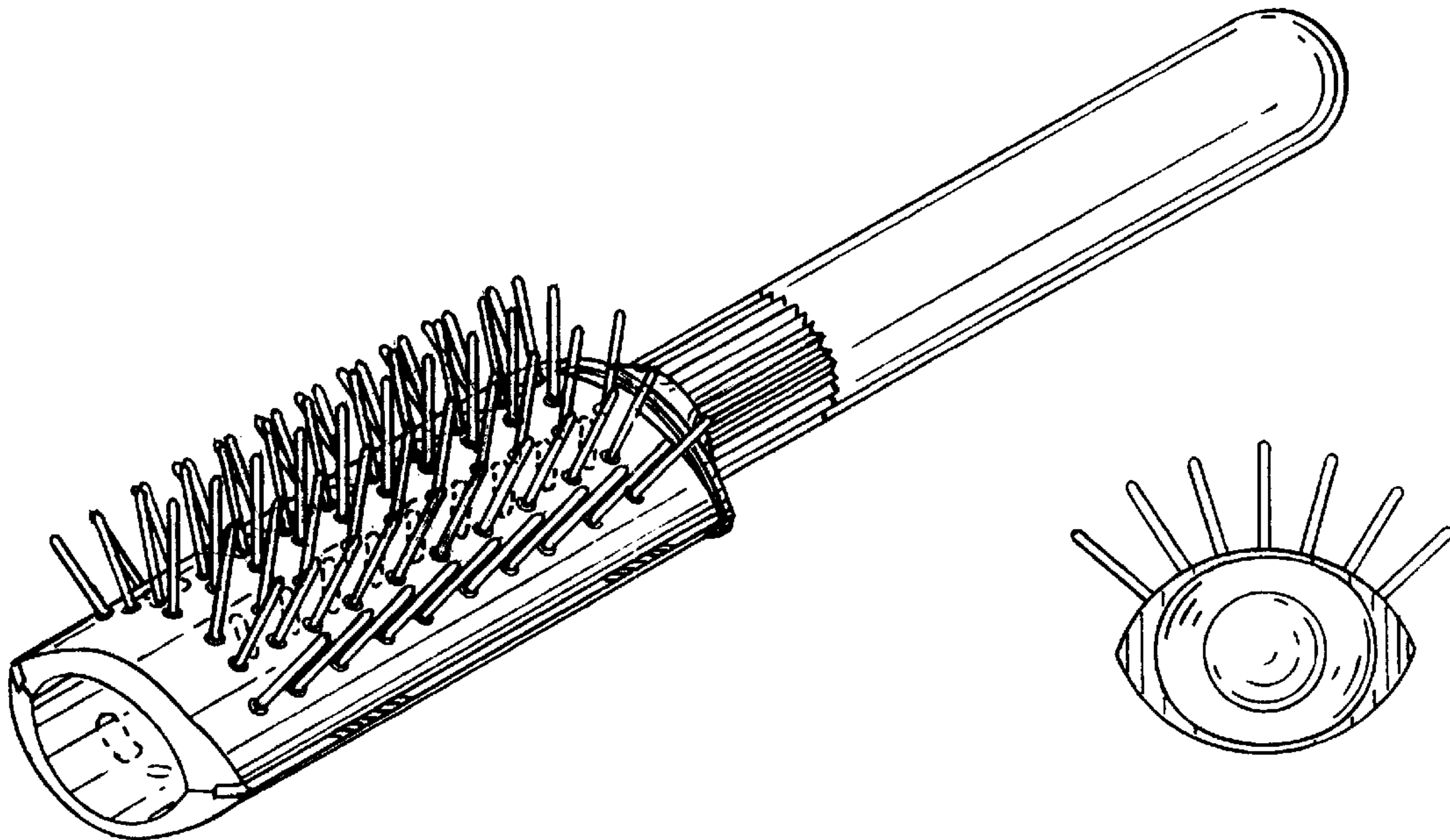
FIG. 10 is a side elevational view of the hair brush, the opposite side being a mirror image;

FIG. 11 is top plan view thereof; and,

FIG. 12 is a bottom plan view thereof.

The broken lines shown in FIGS. 1, 4-7, and 10-12 are for illustrative purposes only and form no part of the claimed design.

1 Claim, 3 Drawing Sheets



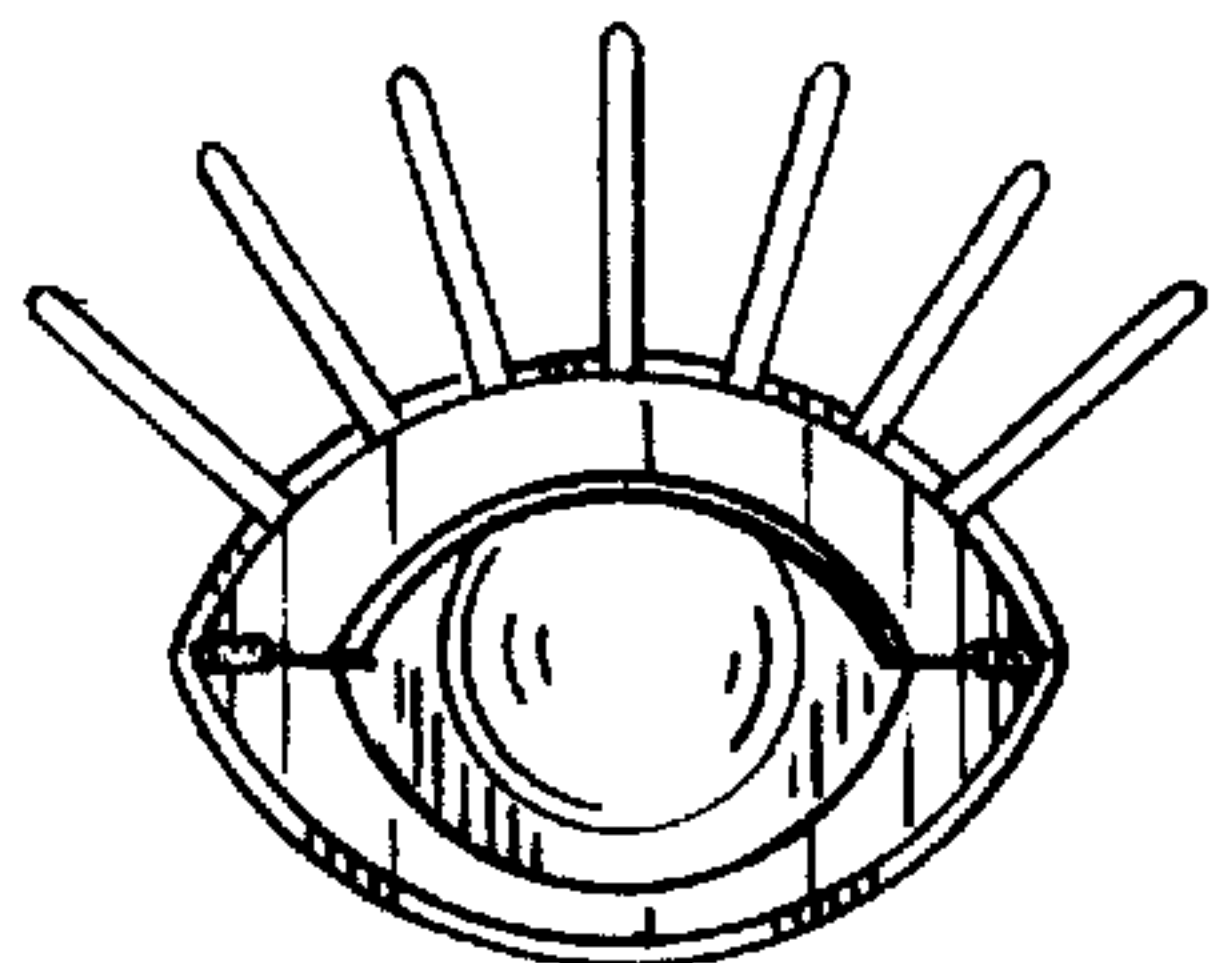


FIG. 2

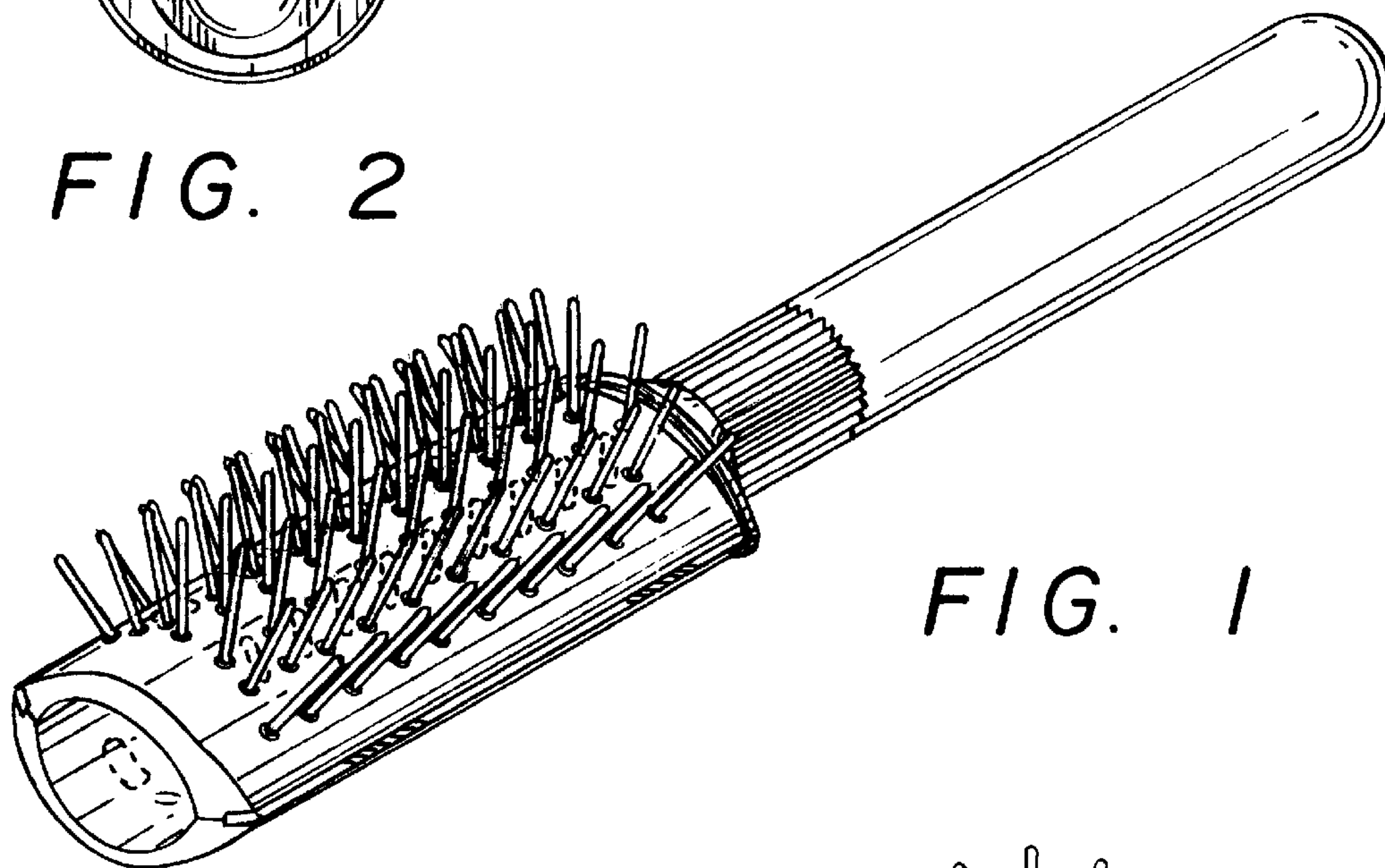


FIG. 1

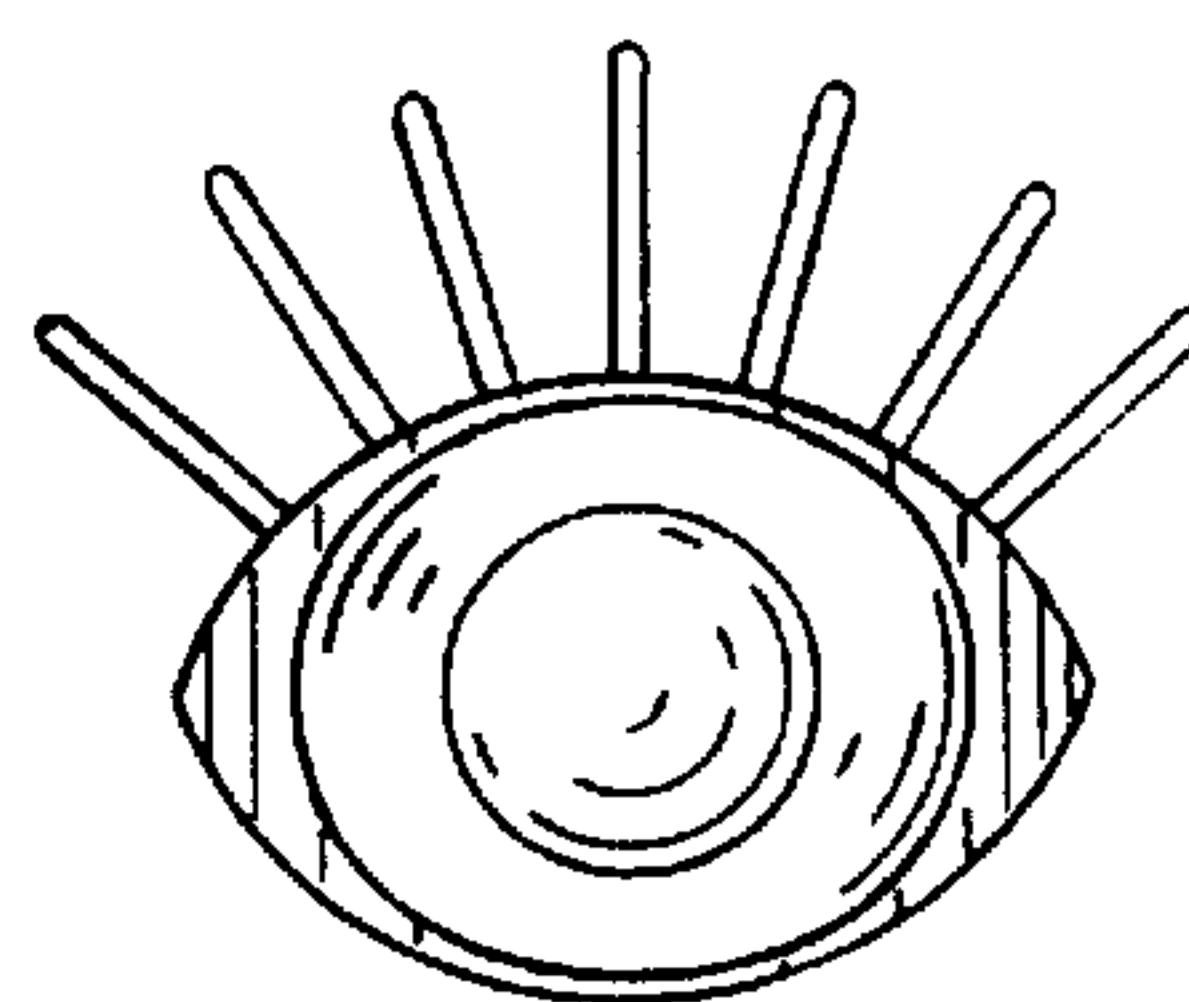
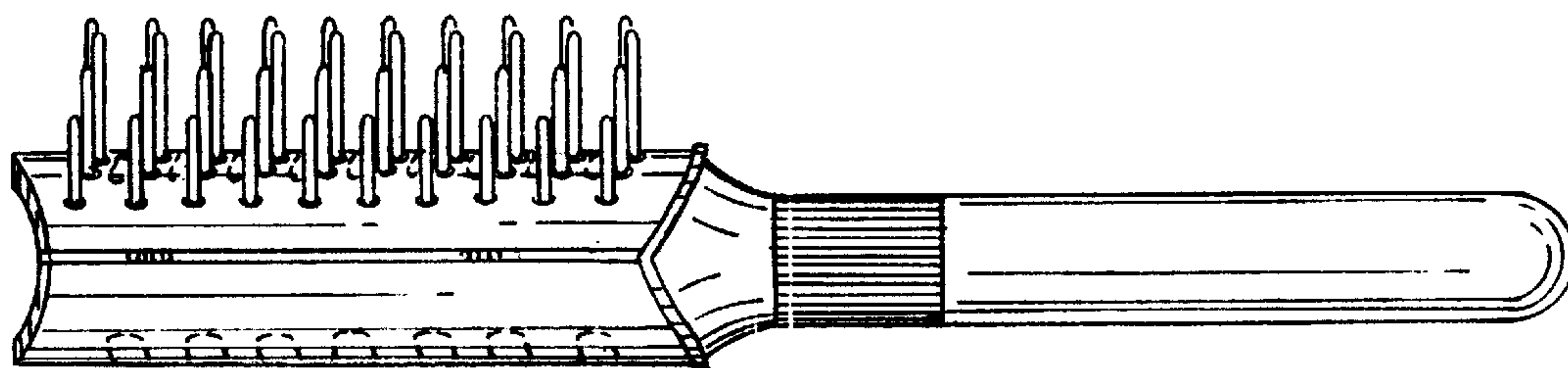


FIG. 3

FIG. 4



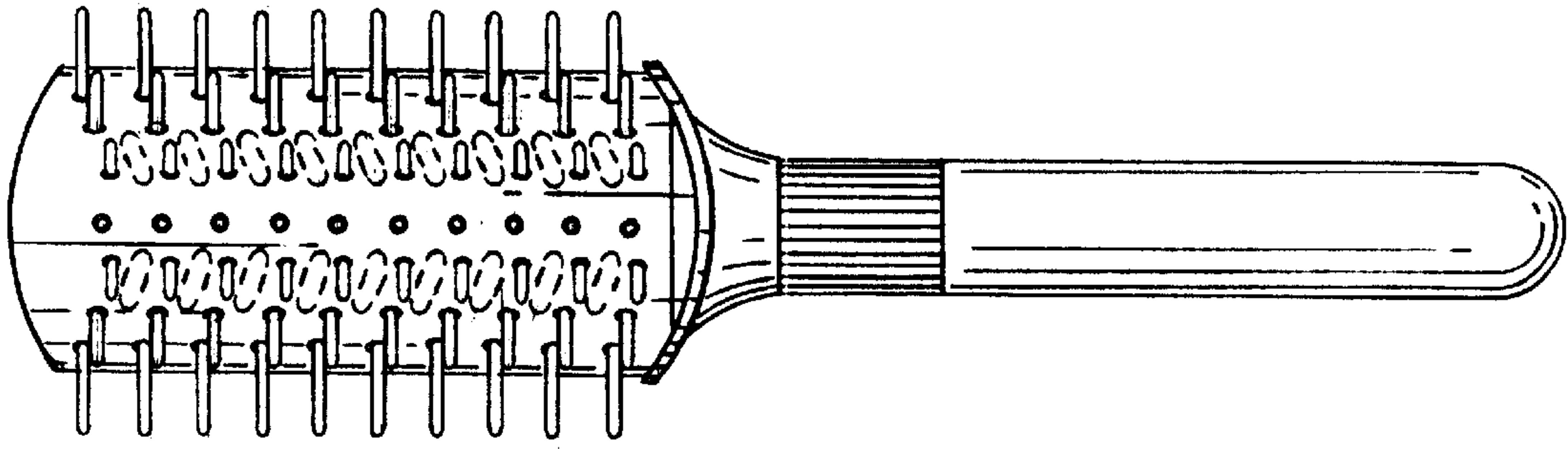


FIG. 5

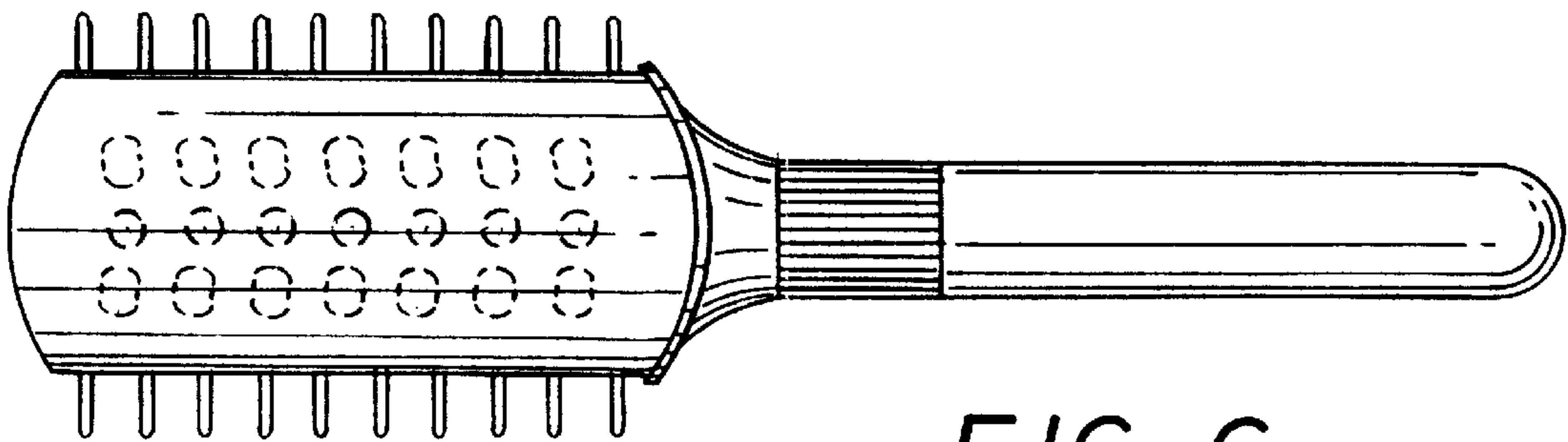


FIG. 6

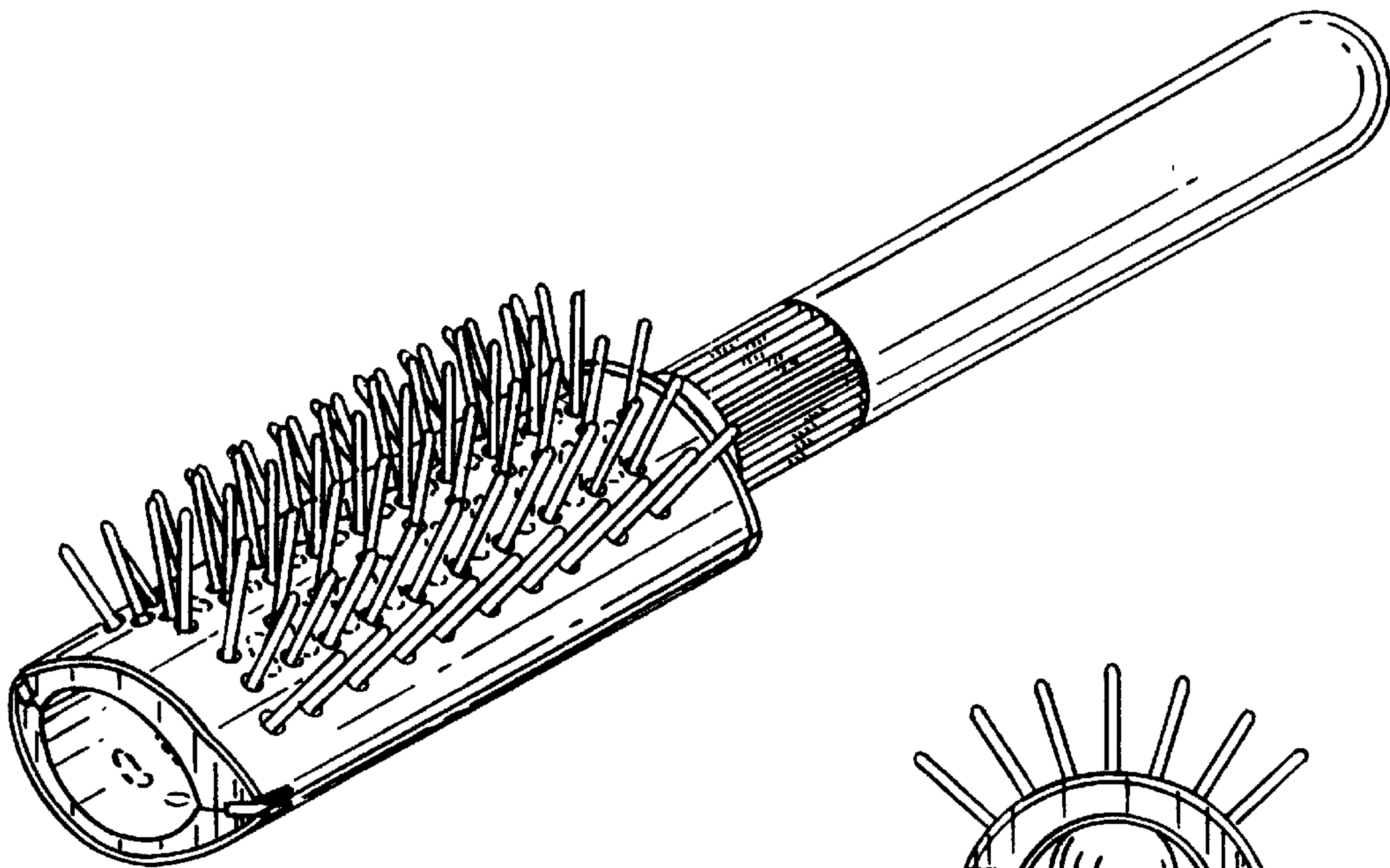


FIG. 7

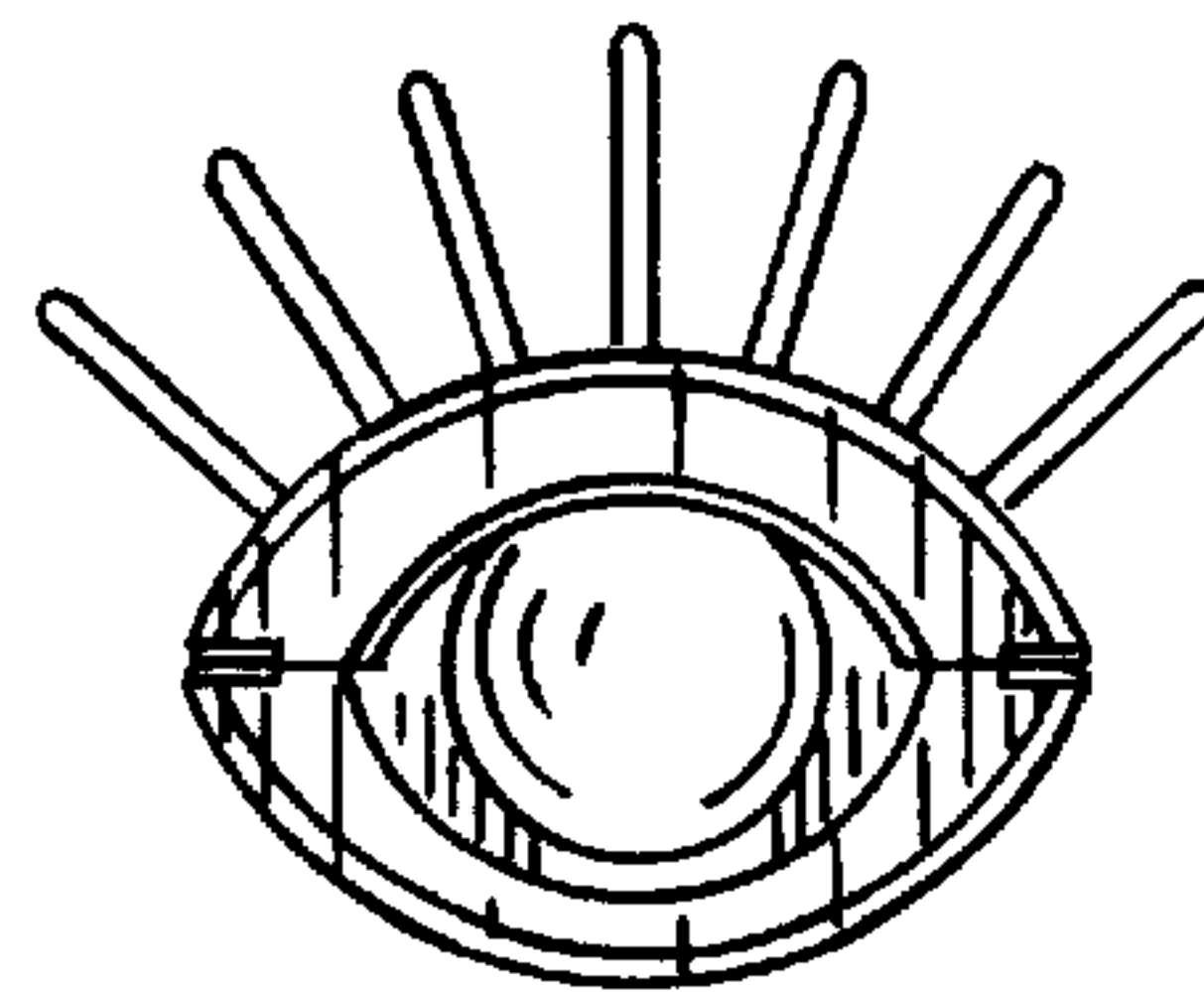


FIG. 8

FIG. 9

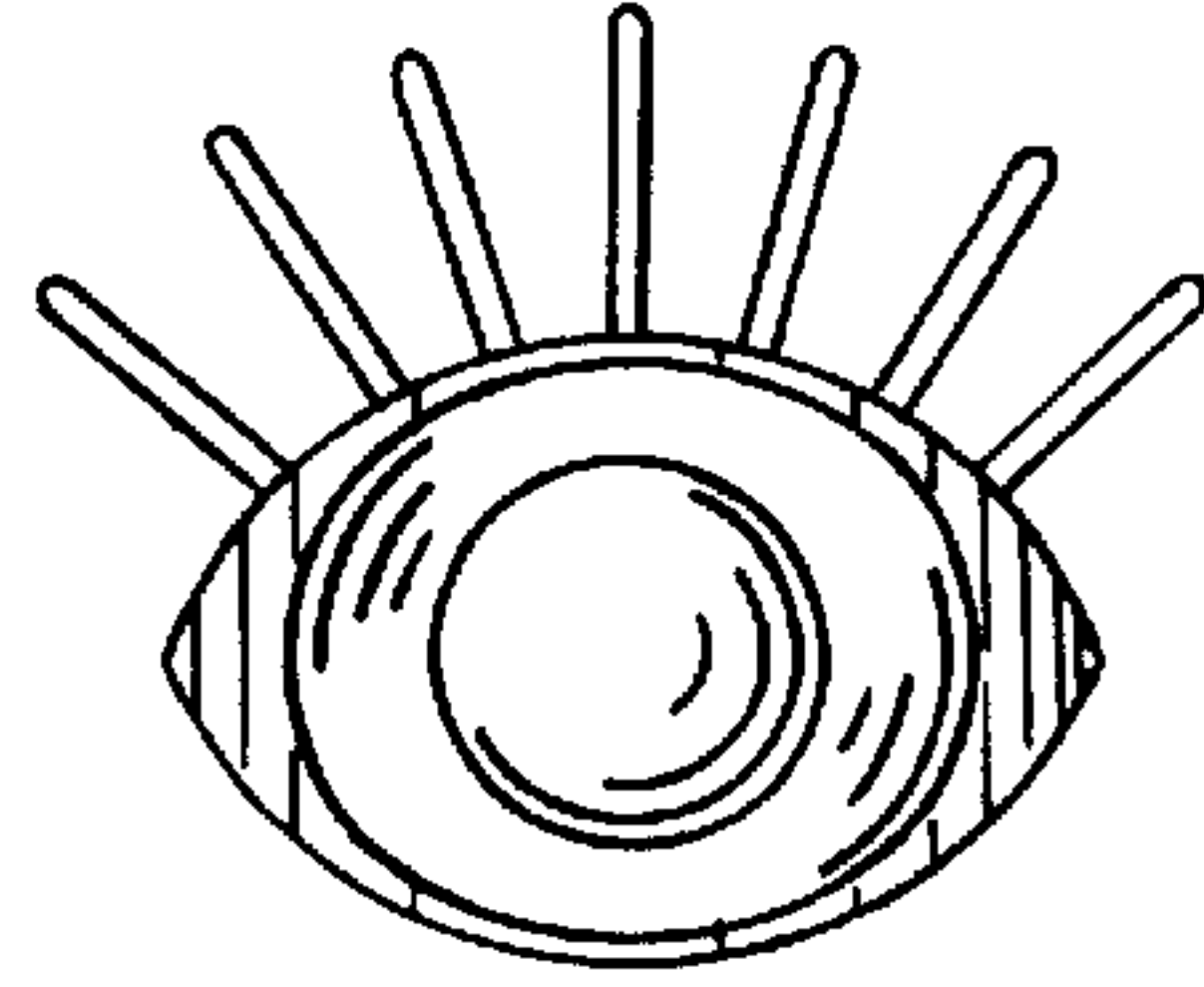


FIG. 10

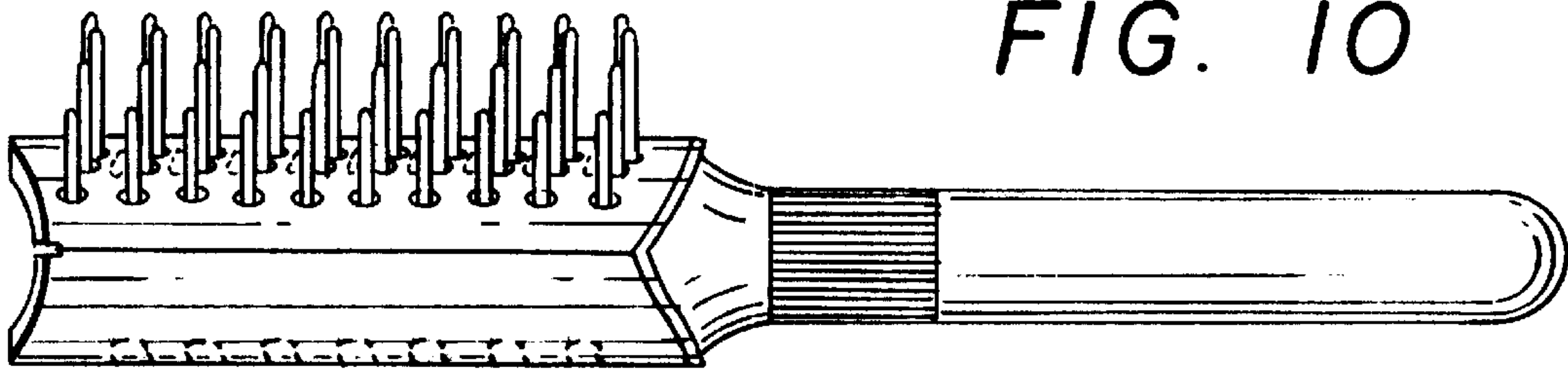


FIG. 11

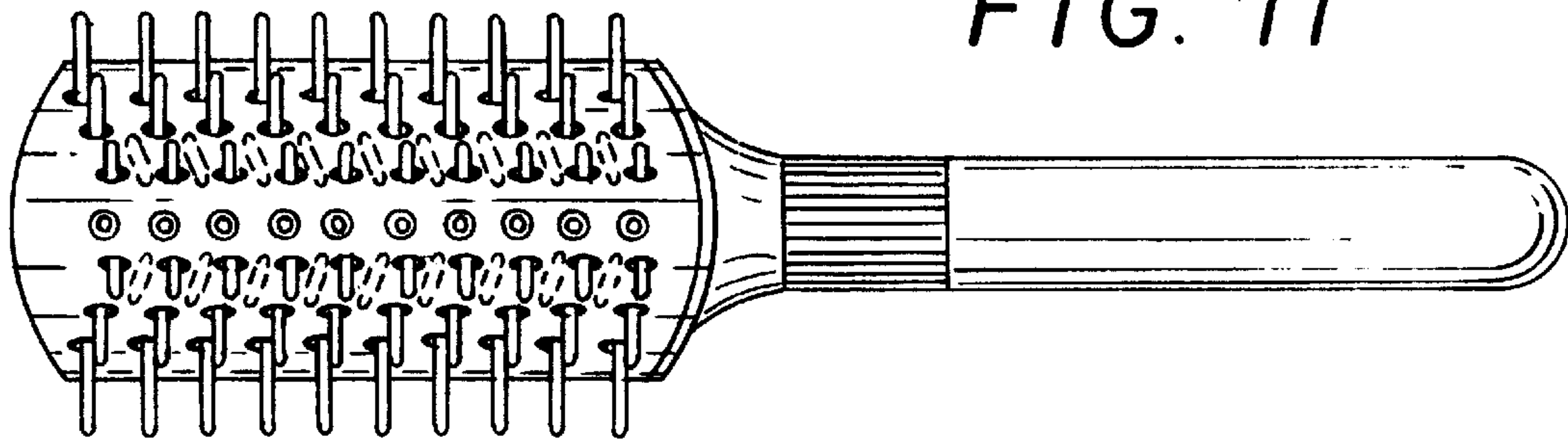


FIG. 12

