



US00D438377S

(12) **United States Design Patent**
Wadeyka et al.

(10) **Patent No.:** **US D438,377 S**

(45) **Date of Patent:** **** Mar. 6, 2001**

(54) **CARRIER FOR SKIS AND SKI POLES**

(75) Inventors: **Gregory L. Wadeyka**, 20 Cooper La.,
Basking Ridge, NJ (US) 07920;
Kenneth Dennison, West Long Branch,
NJ (US)

(73) Assignee: **Gregory L. Wadeyka**, Basking Ridge,
NJ (US)

(**) Term: **14 Years**

(21) Appl. No.: **29/119,400**

(22) Filed: **Feb. 29, 2000**

(51) **LOC (7) Cl.** **03-01**

(52) **U.S. Cl.** **D3/259**

(58) **Field of Search** D3/259, 261, 317,
D3/254; 294/147; 280/814; 211/70.5; 24/329;
224/917; D30/110, 111

(56) **References Cited**

U.S. PATENT DOCUMENTS

- D. 245,041 * 7/1977 Covell D3/259
- D. 280,360 * 9/1985 Fields, Jr. D3/259

- D. 351,498 * 10/1994 Stebbins D3/259
- D. 351,885 * 10/1994 Gonthier D3/259
- 3,935,977 * 2/1976 Bonnett 294/147

* cited by examiner

Primary Examiner—Louis S. Zarfes

Assistant Examiner—Catherine R. Oliver

(74) *Attorney, Agent, or Firm*—Arthur L. Plevy; Buchanan
Ingersoll PC

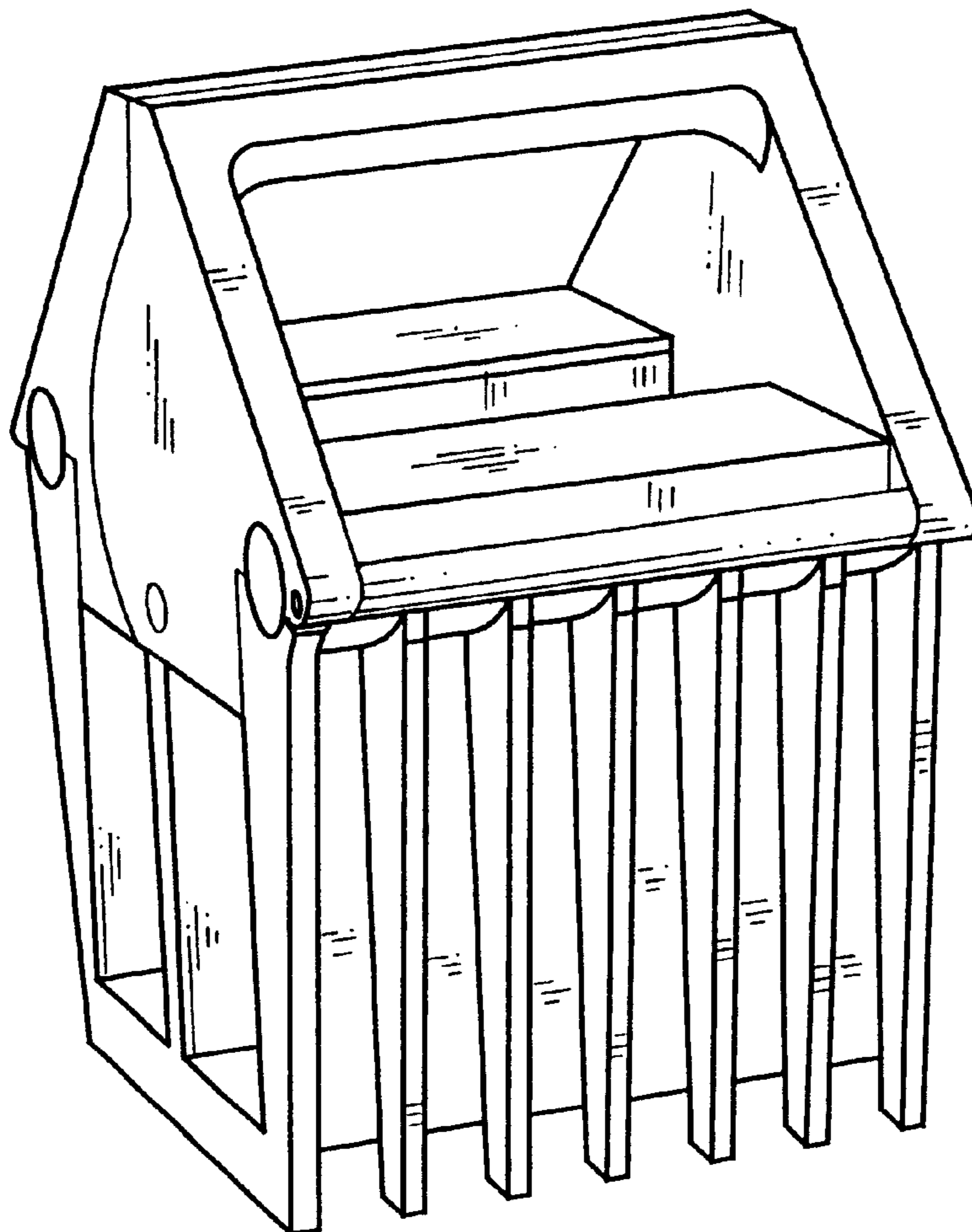
(57) **CLAIM**

The ornamental design for a carrier for skis and ski poles, as
shown.

DESCRIPTION

FIG. 1 is a perspective view of a carrier for skis and ski
poles;
FIG. 2 is a side elevational view of the carrier;
FIG. 3 is a front elevational view of the carrier;
FIG. 4 is a rear elevational view of the carrier;
FIG. 5 is a bottom plan view of the carrier;
FIG. 6 is a top plan view of the carrier; and,
FIG. 7 is a front elevational view of the carrier looking at the
interior thereof.

1 Claim, 7 Drawing Sheets



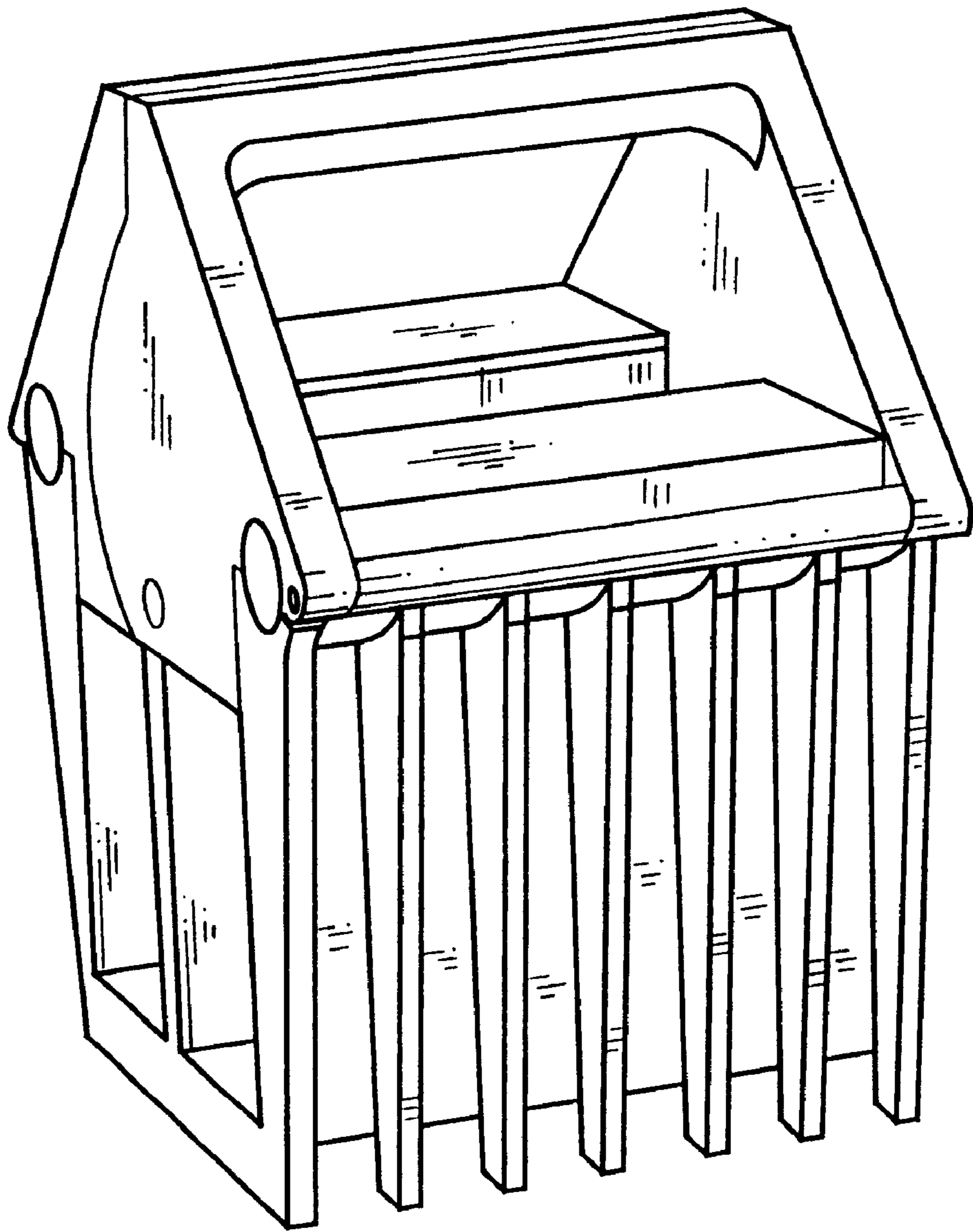


FIG. 1

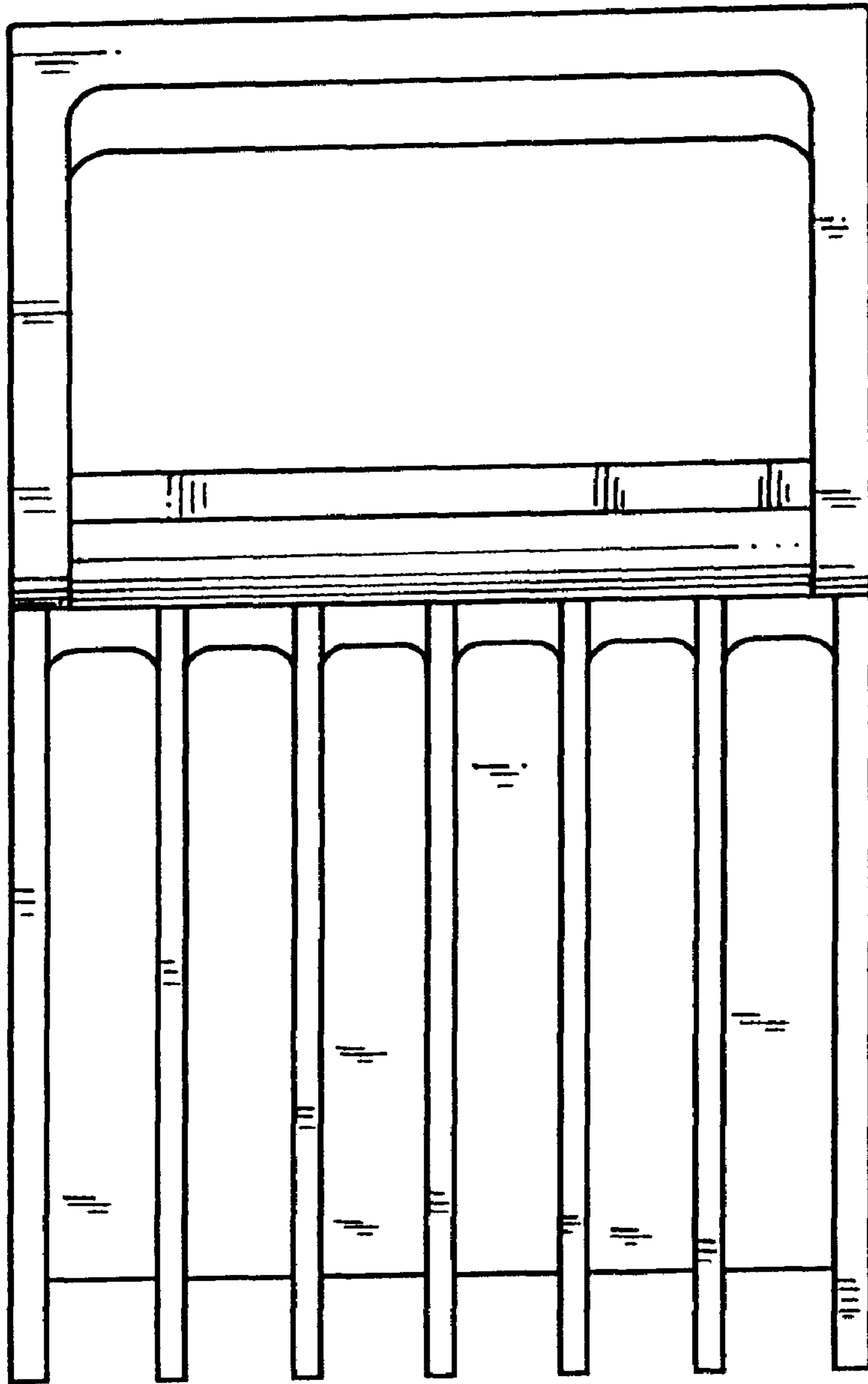


FIG. 2

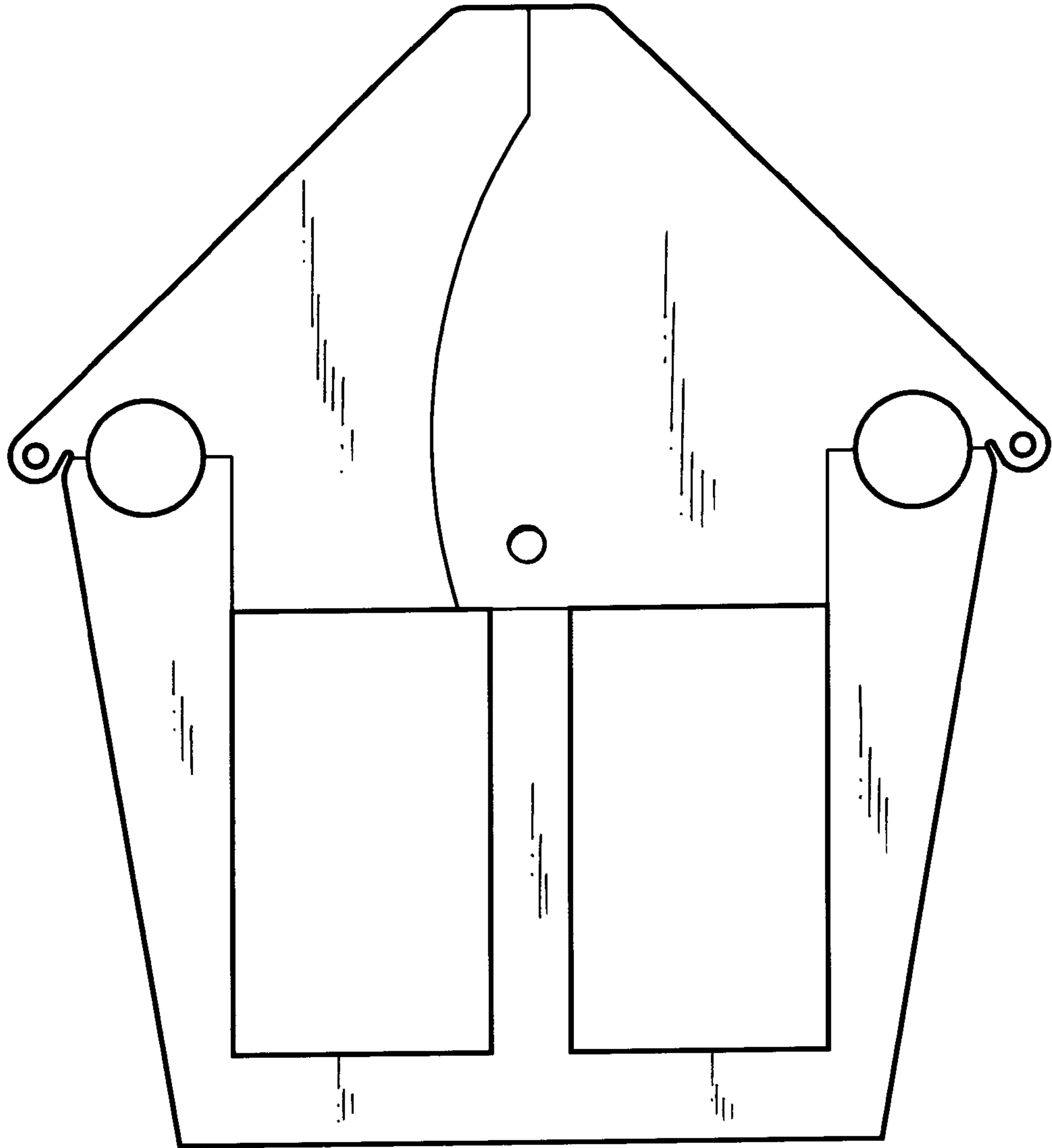


FIG. 3

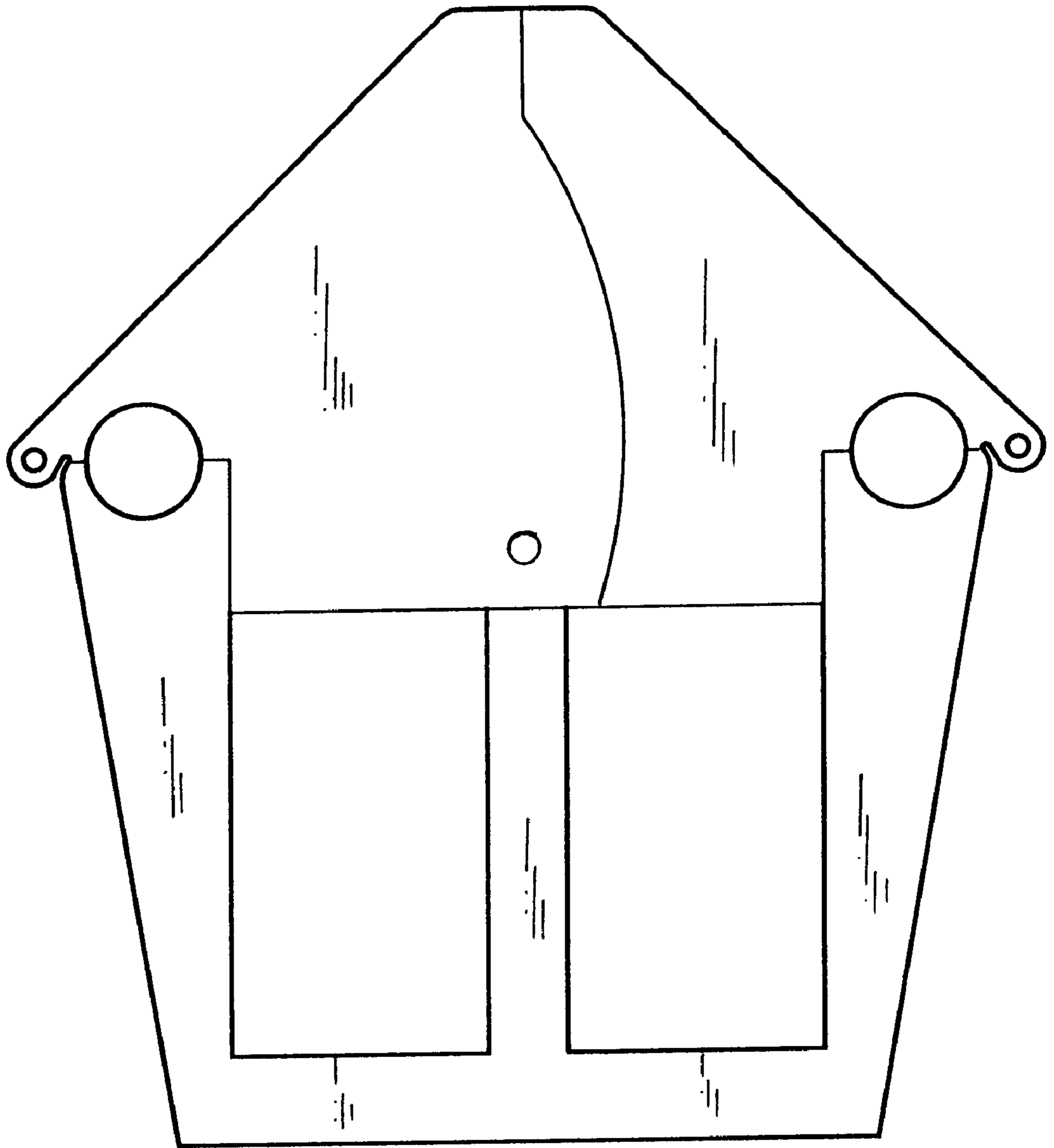


FIG. 4

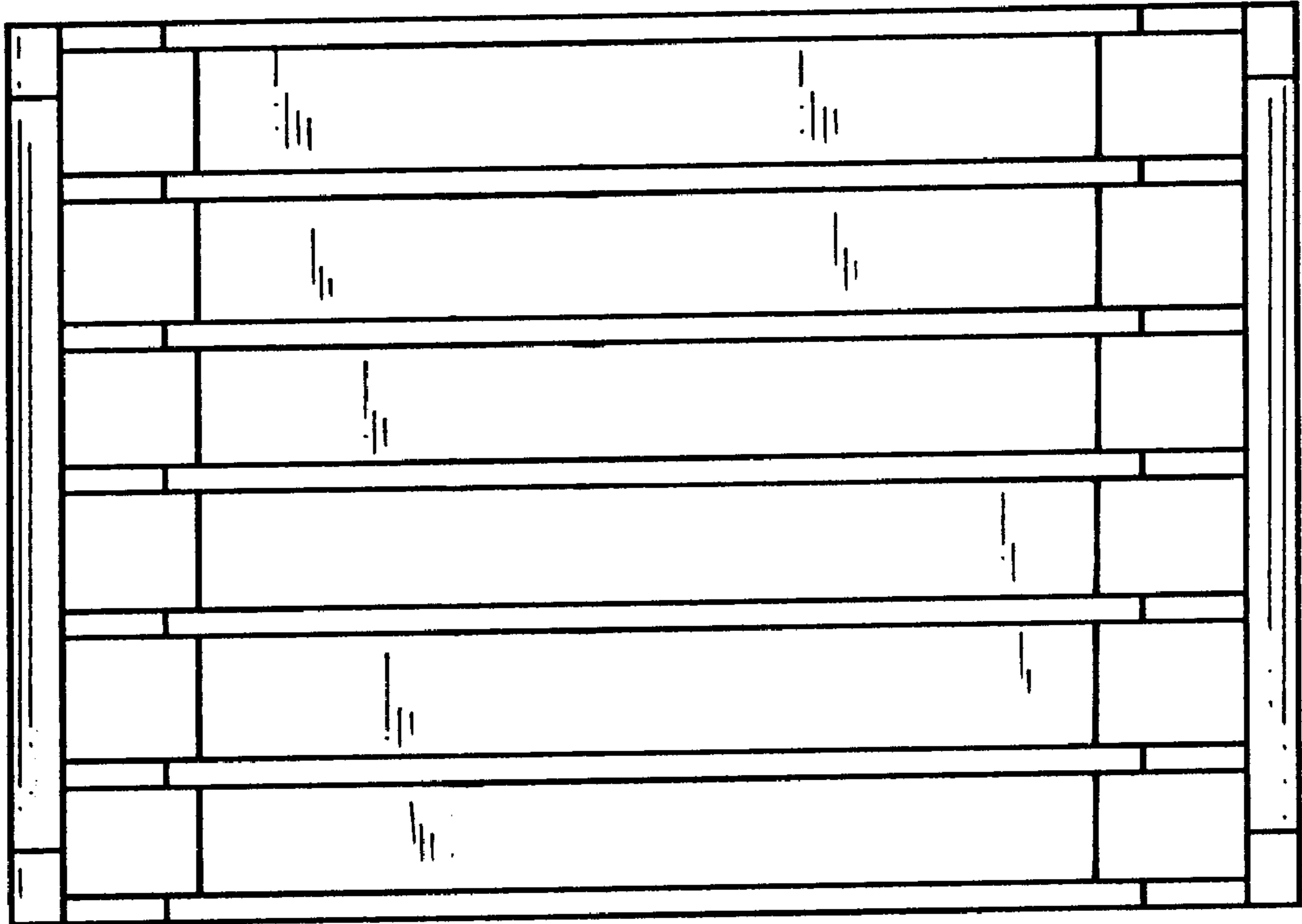


FIG. 5

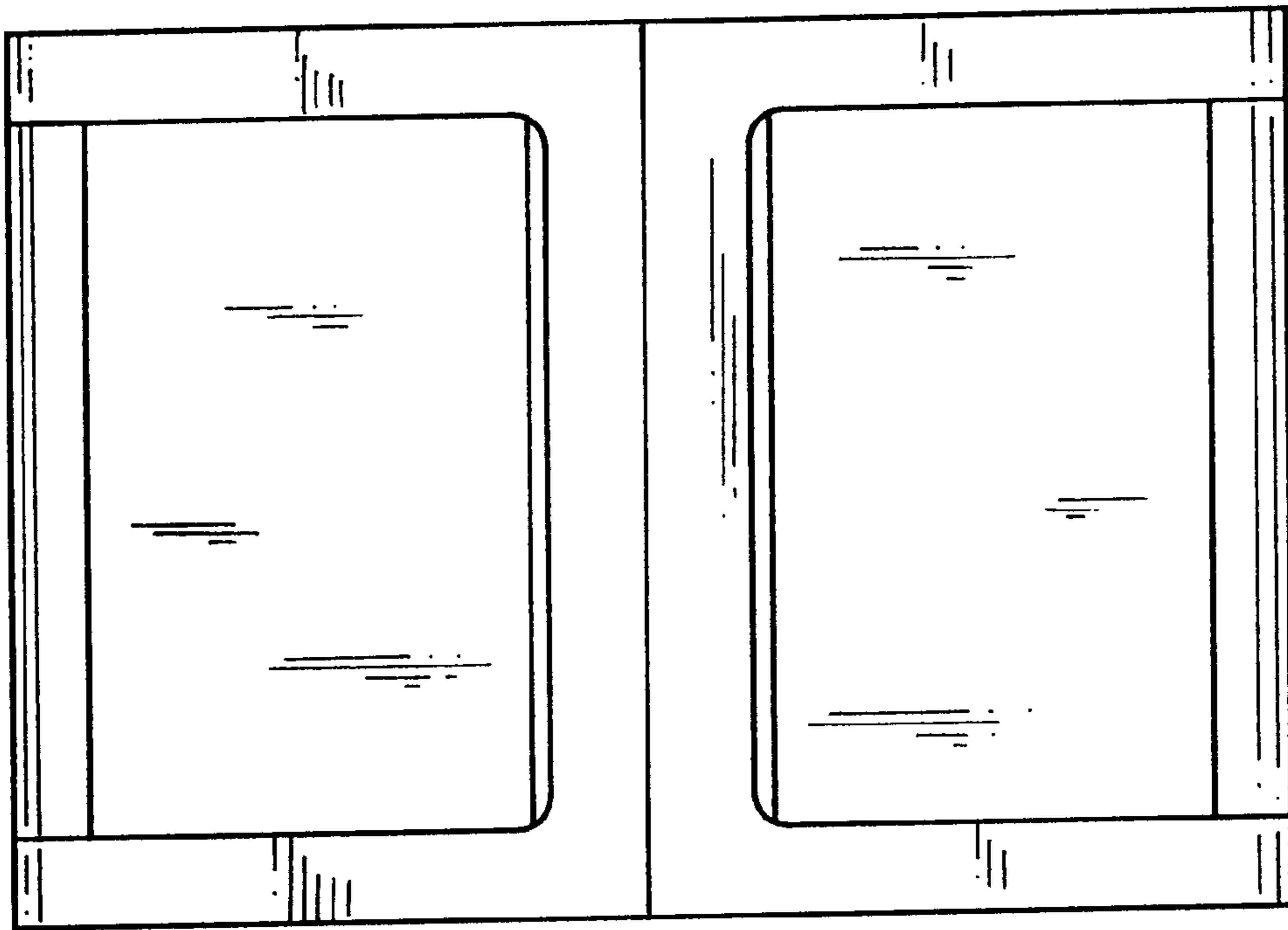


FIG. 6

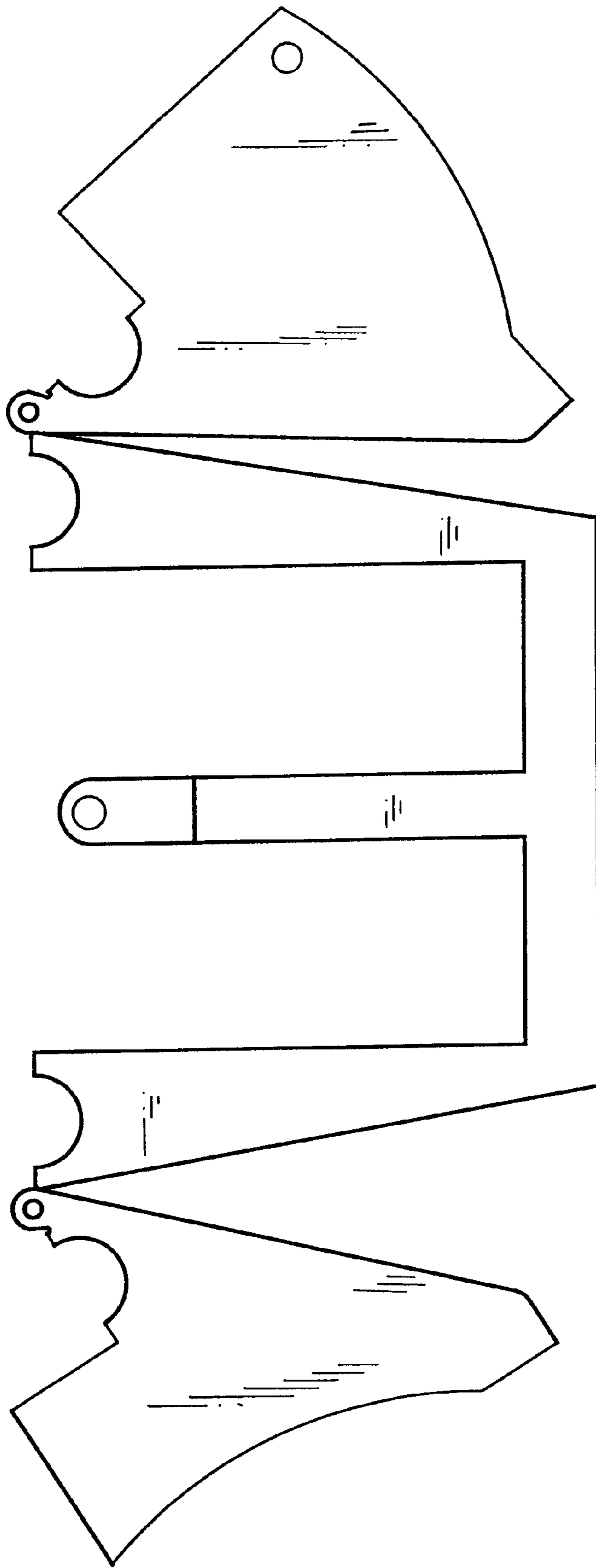


FIG. 7