



US00D438371S

(12) **United States Design Patent**
Tong et al.

(10) **Patent No.:** **US D438,371 S**

(45) **Date of Patent:** **** Mar. 6, 2001**

(54) **CANE**

4,562,850 1/1986 Earley et al. .

4,626,249 12/1986 Hamey .

5,009,236 4/1991 Brothers .

(76) Inventors: **Reid E. Tong; Jeremy D. Tong**, both
of 141 Upper Dr., Tazewell, TN (US)
37879

* cited by examiner

(**) Term: **14 Years**

Primary Examiner—Louis S. Zarfes

Assistant Examiner—Catherine R. Oliver

(21) Appl. No.: **29/125,763**

(57) **CLAIM**

(22) Filed: **Jun. 30, 2000**

The ornamental design for the cane, as shown and described.

(51) **LOC (7) Cl.** **03-03**

DESCRIPTION

(52) **U.S. Cl.** **D3/7**

(58) **Field of Search** D3/7, 8, 9, 13,
D3/14; 135/65, 66, 67, 74, 911

FIG. 1 is a perspective view of the cane with the handle
open;

FIG. 2 is a perspective view of the cane with the handle
closed;

FIG. 3 is a right side view of the cane, with the left side view
being a mirror image thereof;

FIG. 4 is a front view of the cane;

FIG. 5 is a rear view of the cane;

FIG. 6 is a top view of the cane; and,

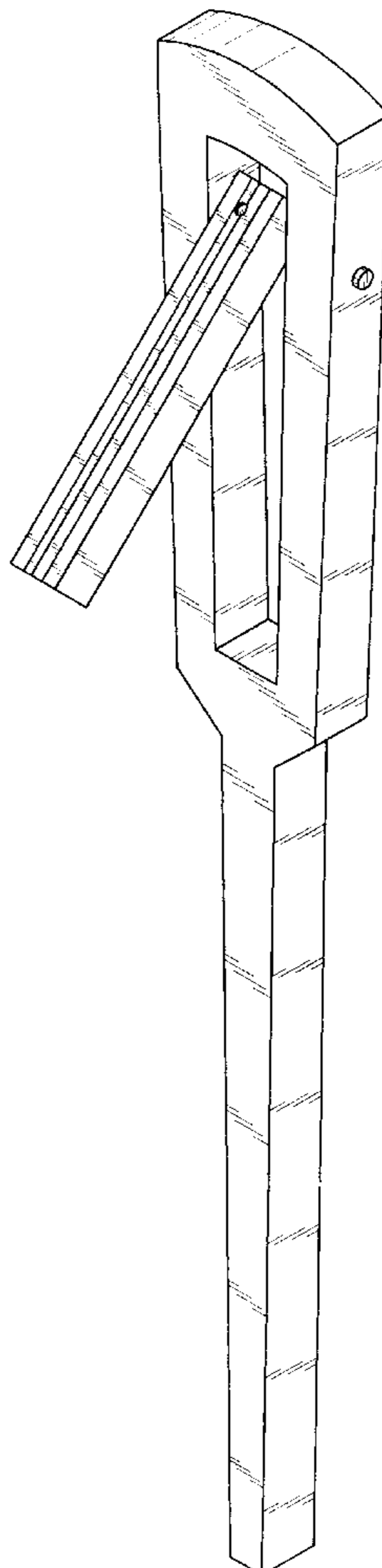
FIG. 7 is a bottom view of the cane.

(56) **References Cited**

U.S. PATENT DOCUMENTS

D. 113,534	*	2/1939	Bodkin	D3/7
D. 290,784	*	7/1987	Moshiri	D3/7
D. 297,887	*	10/1988	Hattersley	D3/7
D. 324,944	*	3/1992	Stupak	D3/7
D. 324,945		3/1992	Pina	.	
D. 425,293	*	5/2000	Maalik	D3/8

1 Claim, 3 Drawing Sheets



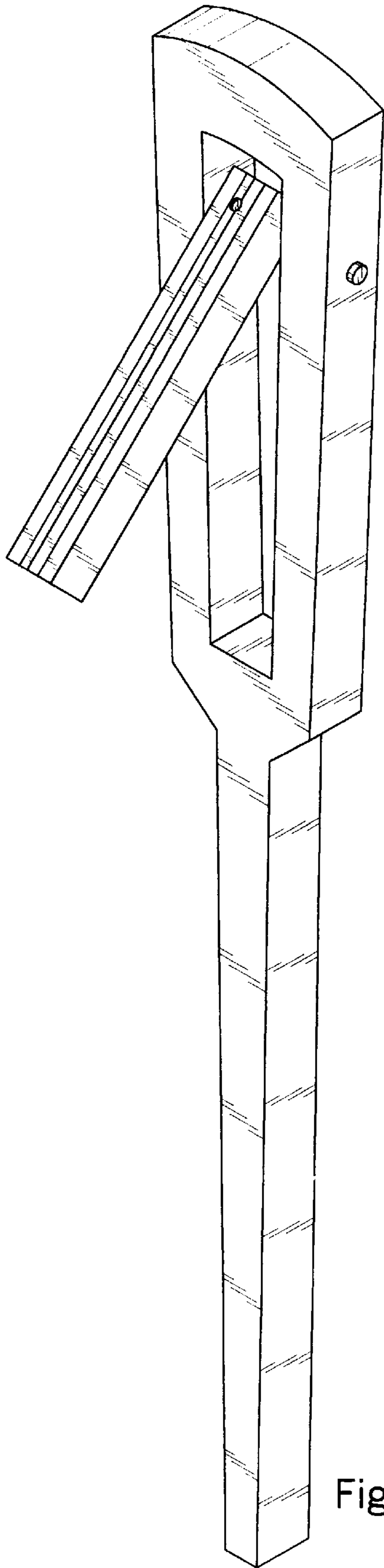


Fig. 1

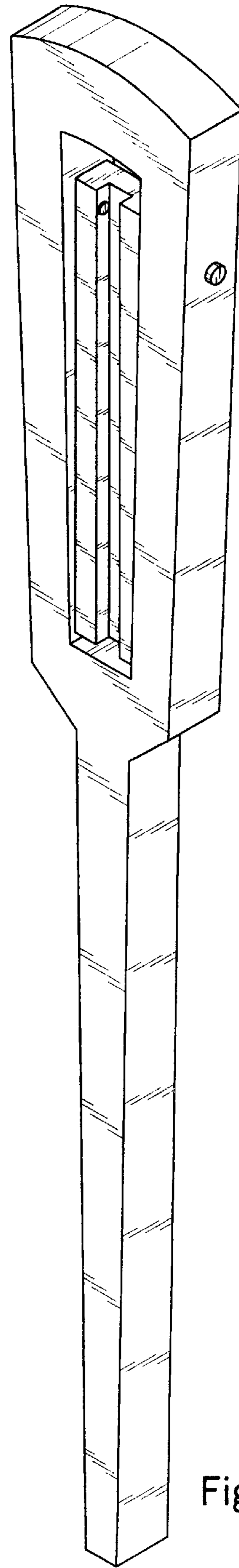


Fig. 2



Fig. 3

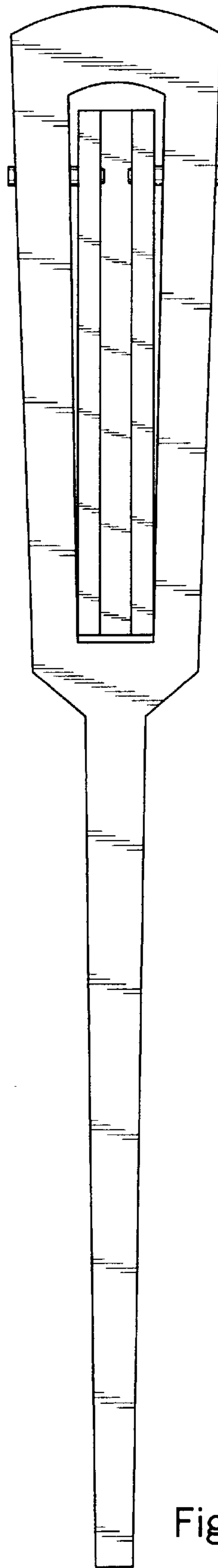


Fig. 4

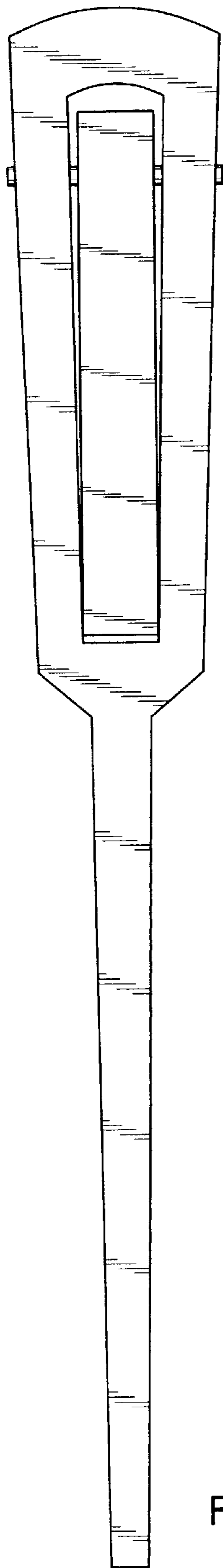


Fig. 5



Fig. 6



Fig. 7