



US00D438363S

(12) **United States Design Patent**
Lackey et al.

(10) **Patent No.: US D438,363 S**

(45) **Date of Patent: ** Feb. 27, 2001**

(54) **NESTABLE MAILBOX**

(75) Inventors: **Robert W. Lackey**, Hickory; **Robert C. Beckman**, Vale, both of NC (US); **Gregory A. Harris**, Tacoma, WA (US)

(73) Assignee: **RWL Corporation**, Hickory, NC (US)

(**) Term: **14 Years**

(21) Appl. No.: **29/100,321**

(22) Filed: **Feb. 9, 1999**

Related U.S. Application Data

(63) Continuation of application No. PCT/US98/17505, filed on Aug. 24, 1998.

(51) **LOC (7) Cl.** **99-00**

(52) **U.S. Cl.** **D99/29**

(58) **Field of Search** D99/29, 31, 32, D99/33; 232/17, 32, 33, 34, 35, 38, 43.4

(56) **References Cited**

U.S. PATENT DOCUMENTS

D. 292,539	*	10/1987	Harlow, Jr. et al.	D99/29
D. 365,189	*	12/1995	Dennis	D99/29
D. 376,463	*	12/1996	Polley et al.	D99/29
D. 385,677	*	10/1997	Vivirito, Jr.	D99/29
1,992,640	*	2/1935	Steen	232/17
4,600,143	*	7/1986	Harlow, Jr. et al.	232/17
5,575,422	*	11/1996	Peterman	232/38
5,765,749	*	6/1998	Harper	232/38

* cited by examiner

Primary Examiner—Paula A. Mortimer

(74) *Attorney, Agent, or Firm*—Hardaway/Mann IP

(57) **CLAIM**

The ornamental design for a nestable mailbox, as shown and described.

DESCRIPTION

FIG. 1 is a perspective view of a first embodiment of a nestable mailbox showing our new design.

FIG. 2 is a front elevation view thereof with the door removed;

FIG. 3 is a side elevation view of thereof;

FIG. 4 is an enlarged partial view taken along line 4—4 in FIG. 3 of the nestable mailbox;

FIG. 5 is a top plan view thereof;

FIG. 6 is a bottom plan view thereof;

FIG. 7 is a rear elevation view thereof;

FIG. 8 is a broken-away side elevation view of the nestable mailbox shown nested with other nestable mailboxes;

FIG. 9 is a perspective view thereof showing the nestable mailbox nested with other nestable mailboxes;

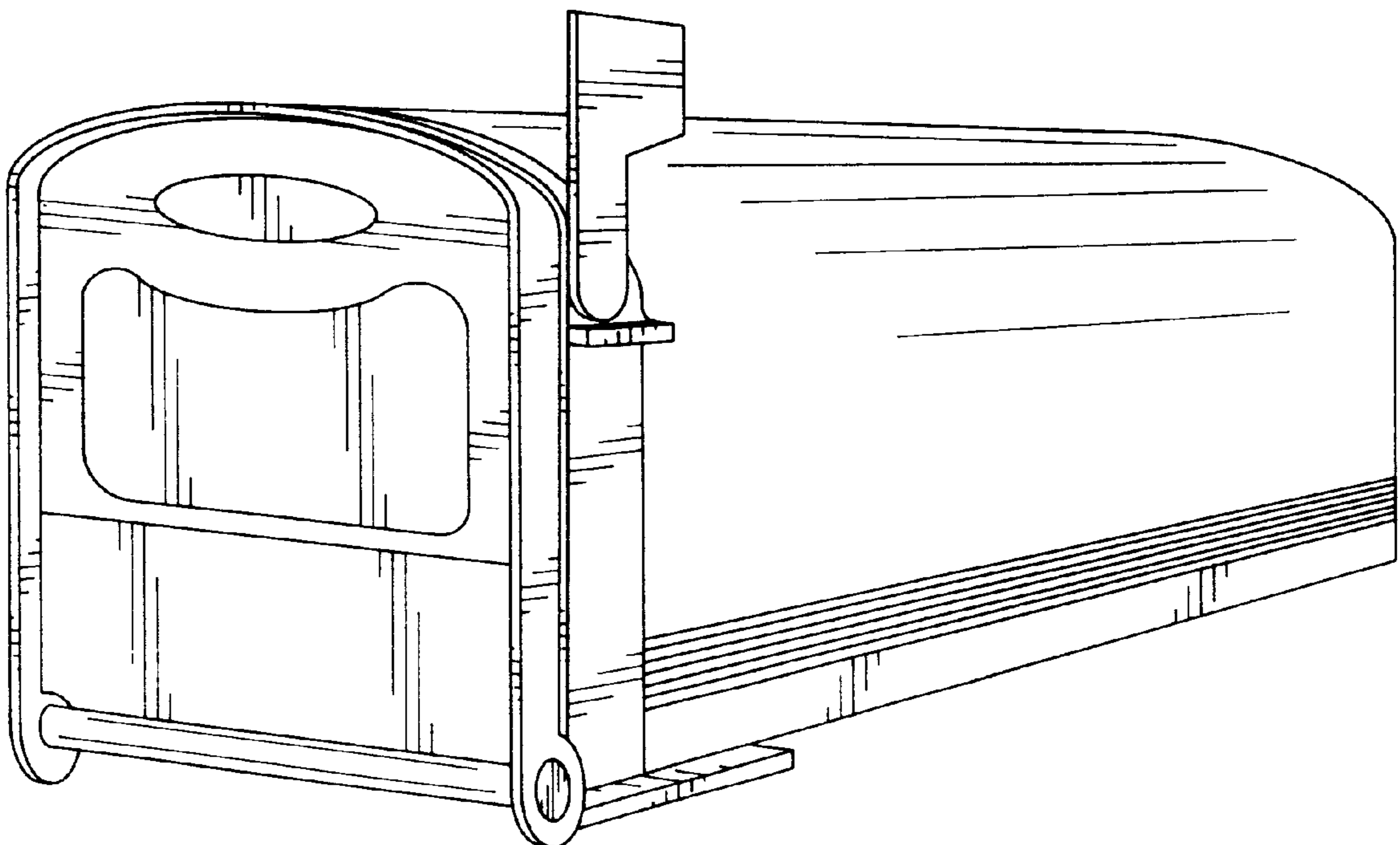
FIG. 10 is a side elevation view thereof showing the nestable mailbox nested with other nestable mailboxes in a packing crate for shipping;

FIG. 11 is a side elevation view of a second embodiment having a rear door, flag ledge and bottom ledge, the front and rear not being part of the claimed design; and,

FIG. 12 is a front elevation view thereof, the front not being part of the claimed design.

The broken line disclosures of multiple nesting mailboxes and the packing box in FIGS. 8, 9 and 10 are illustrative purposes only and form no part of the claim design.

1 Claim, 12 Drawing Sheets



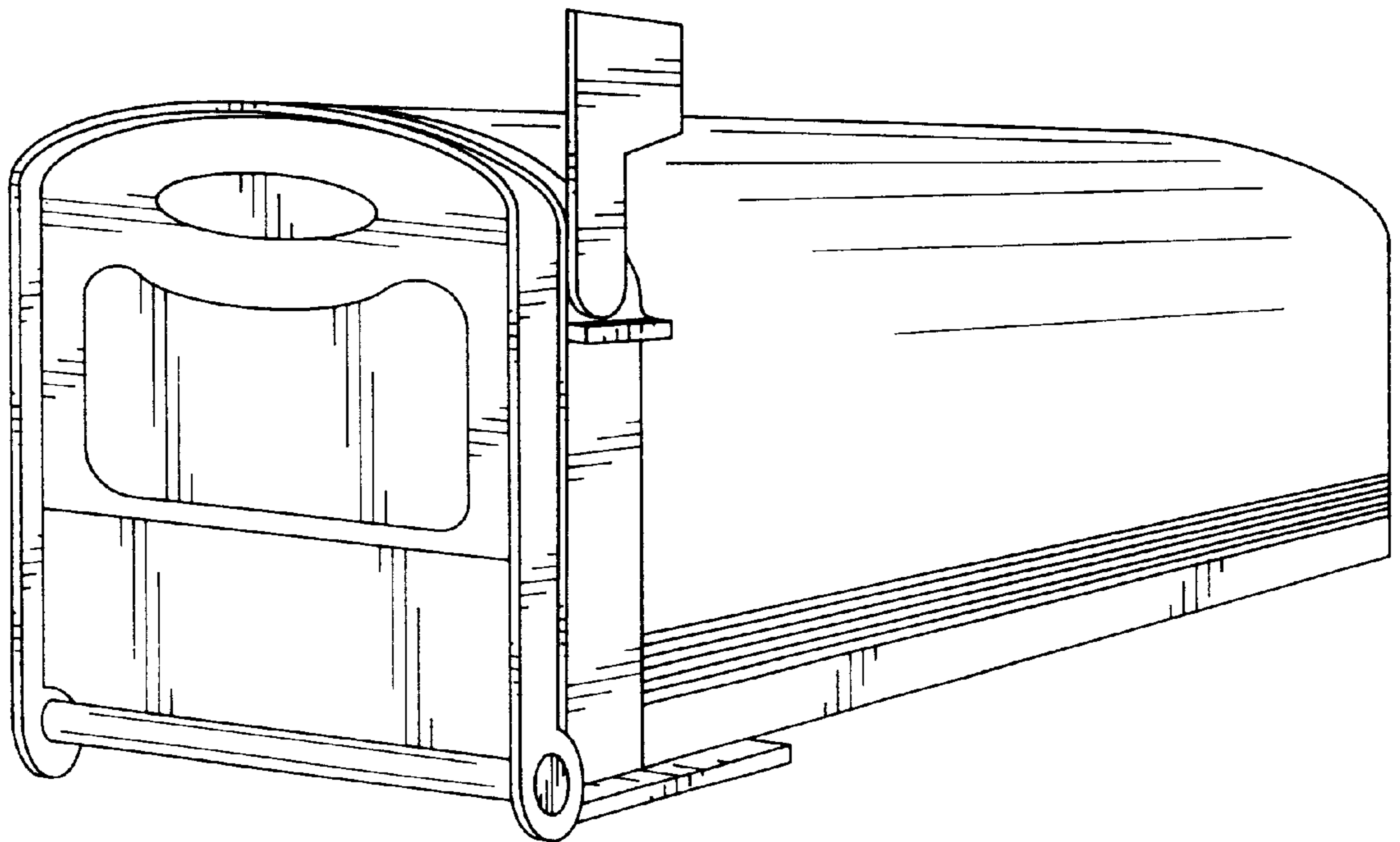


FIG. 1

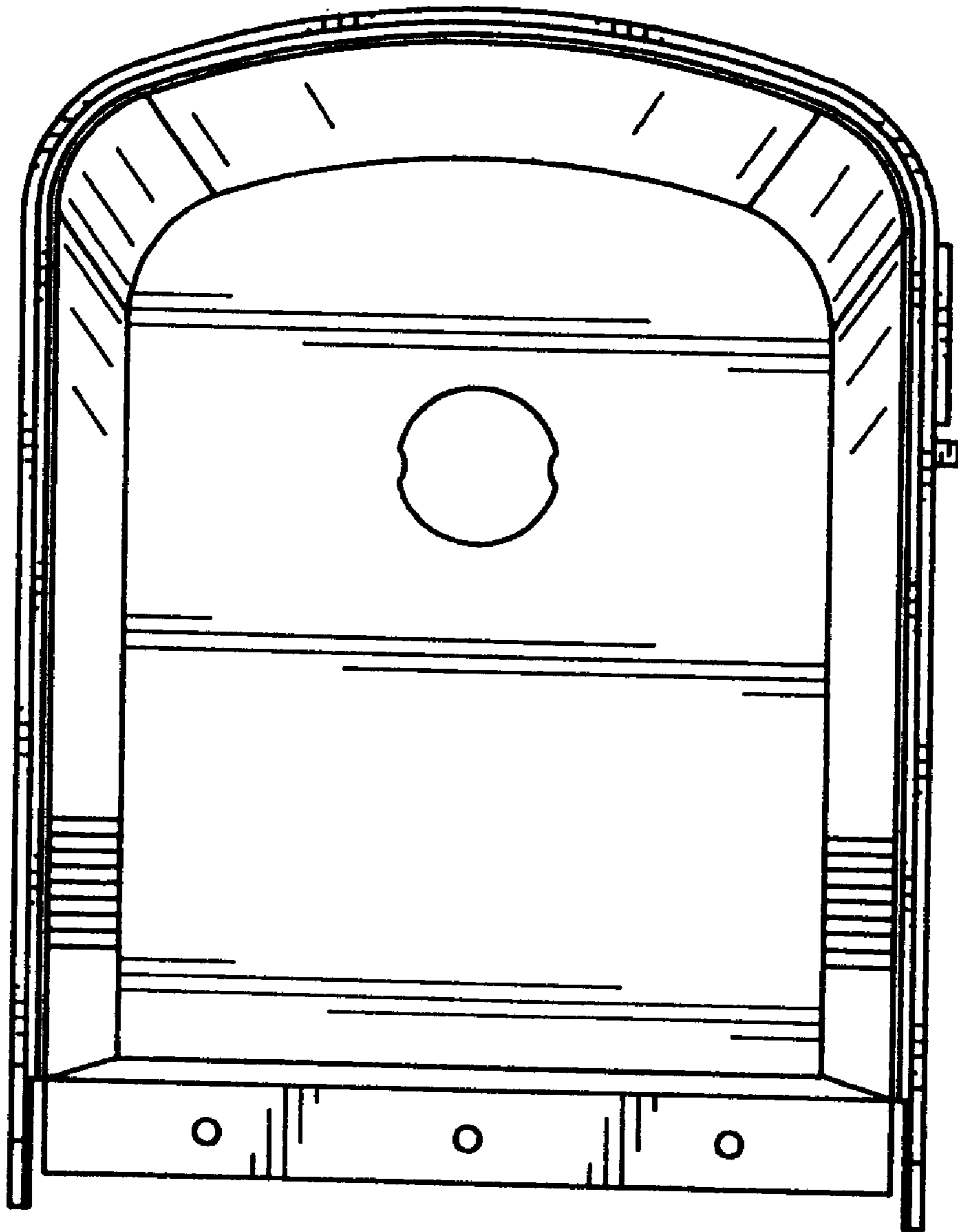


FIG. 1A

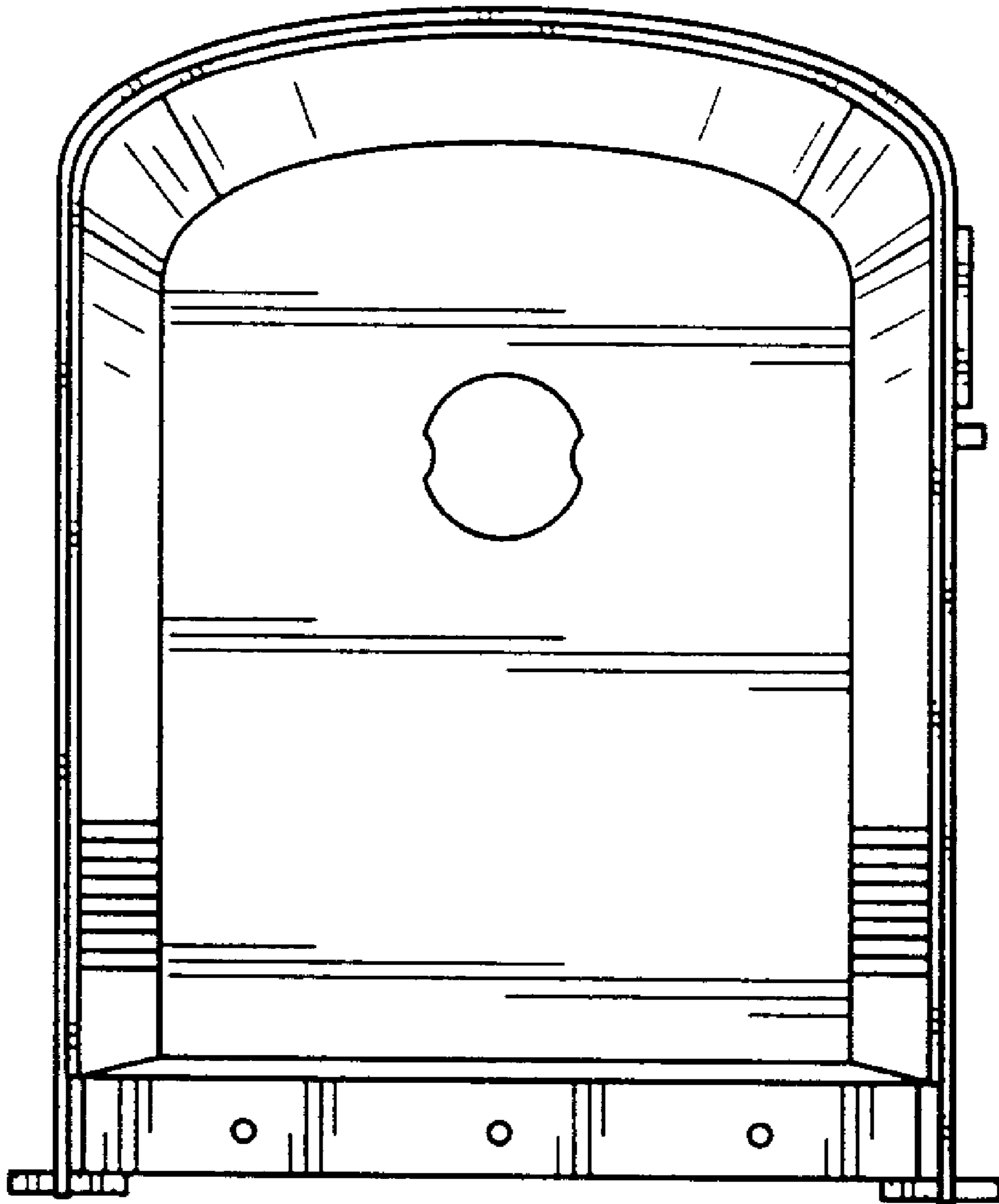


FIG. 2

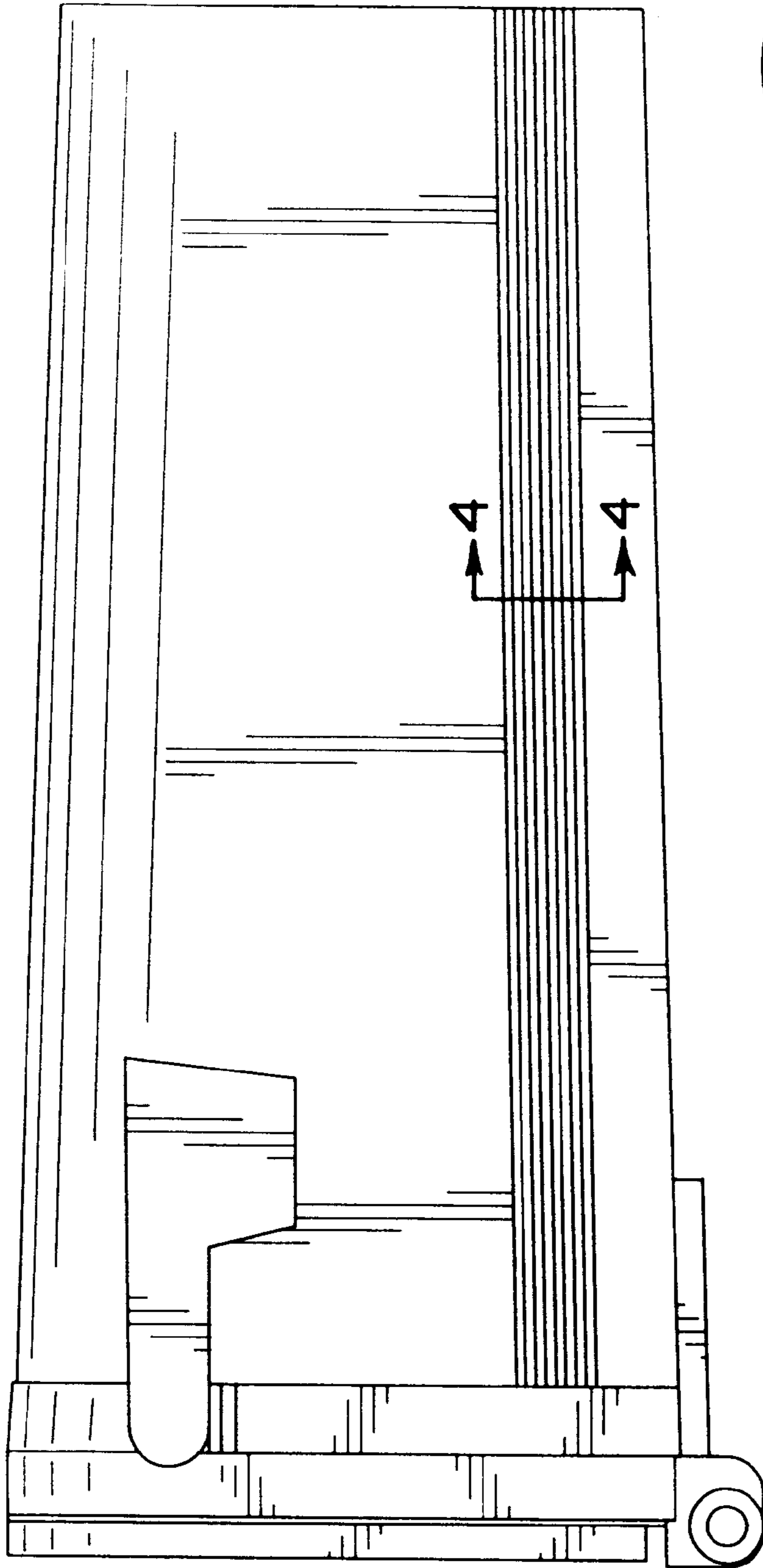


FIG. 3

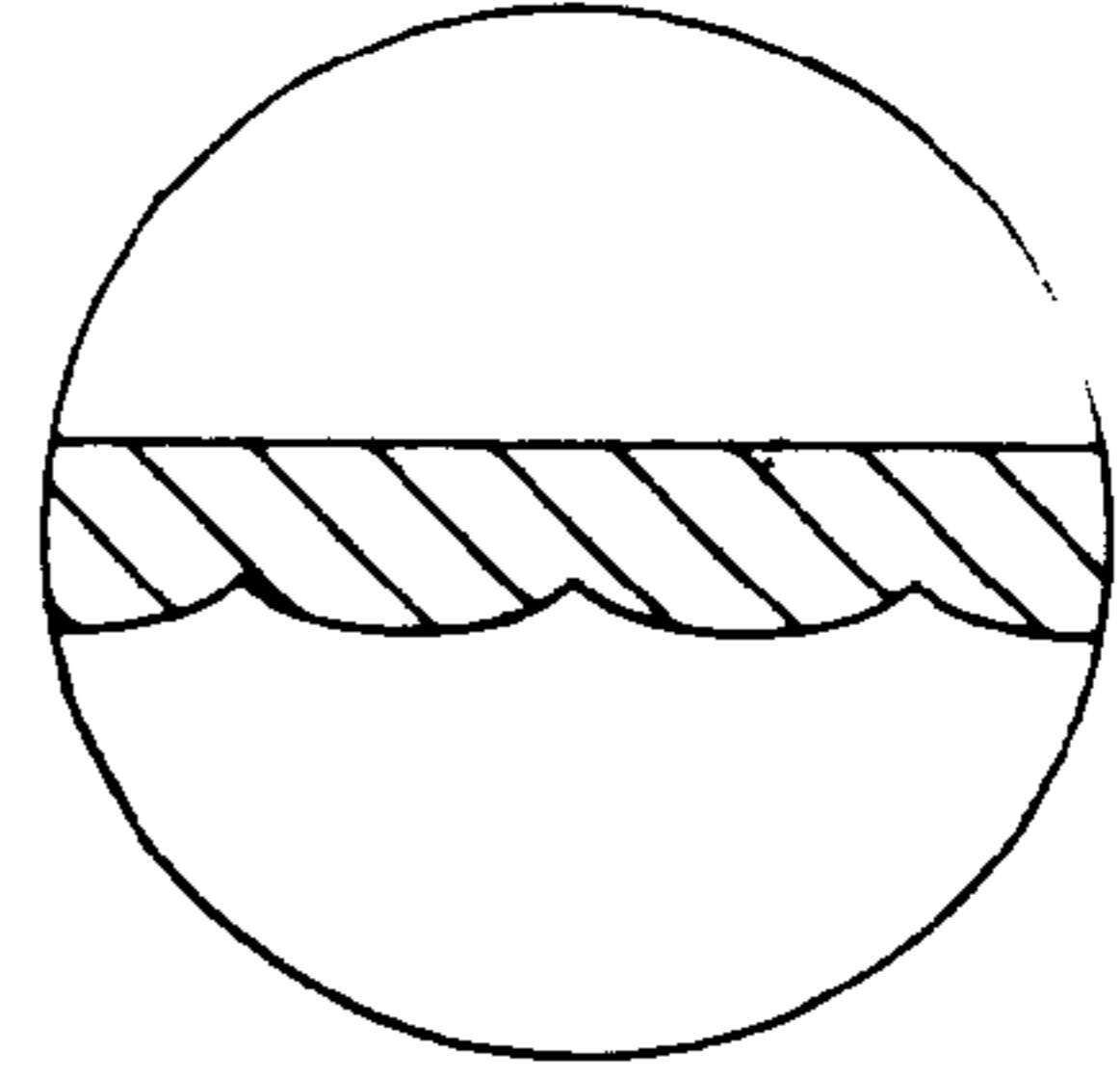


FIG. 4

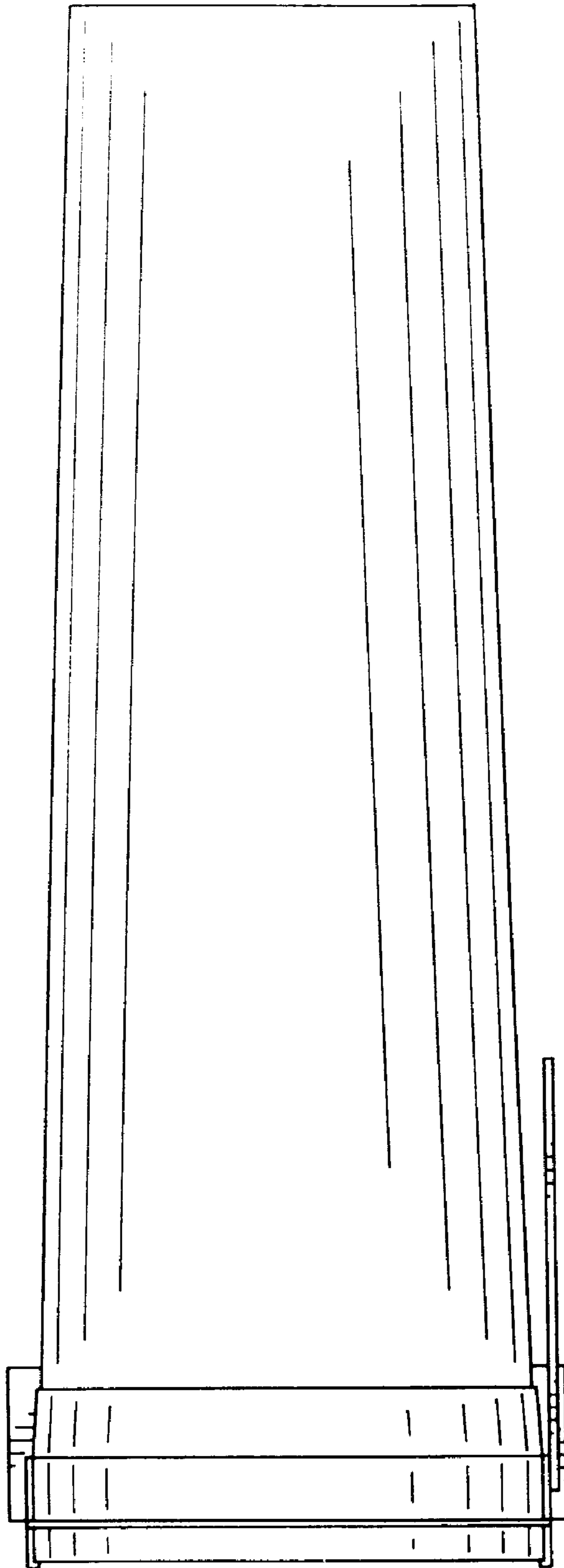


FIG. 5

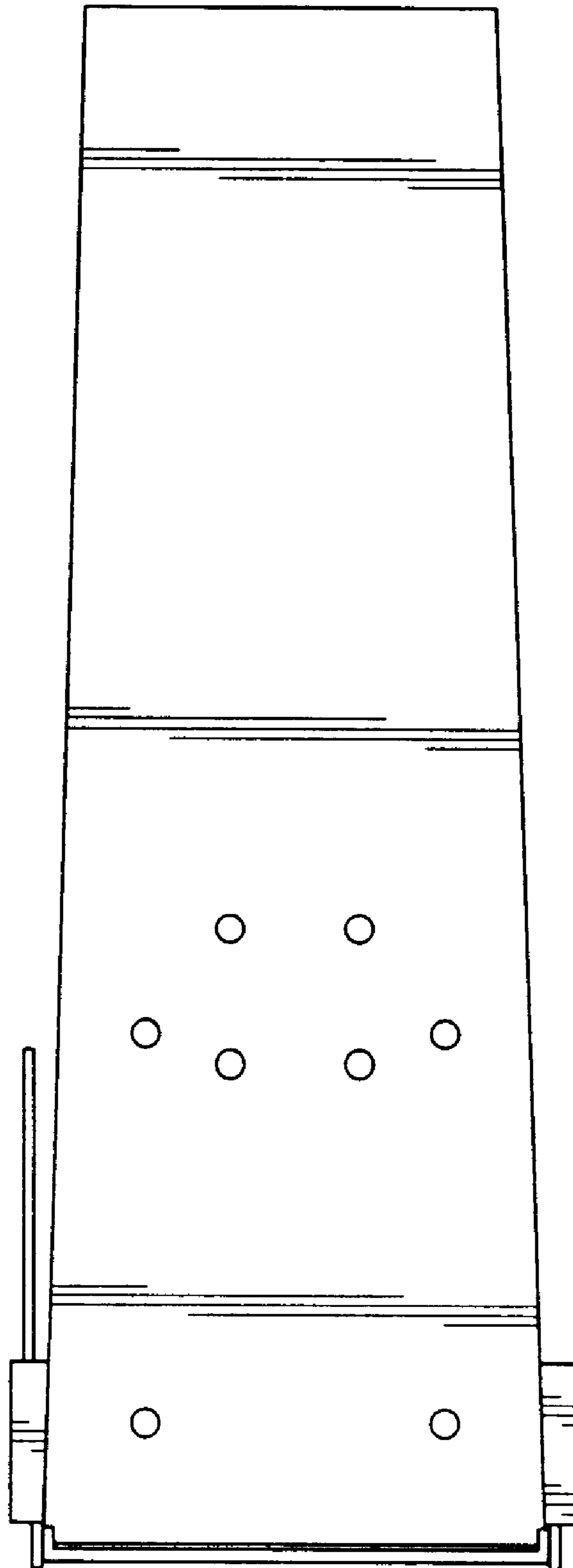


FIG. 6

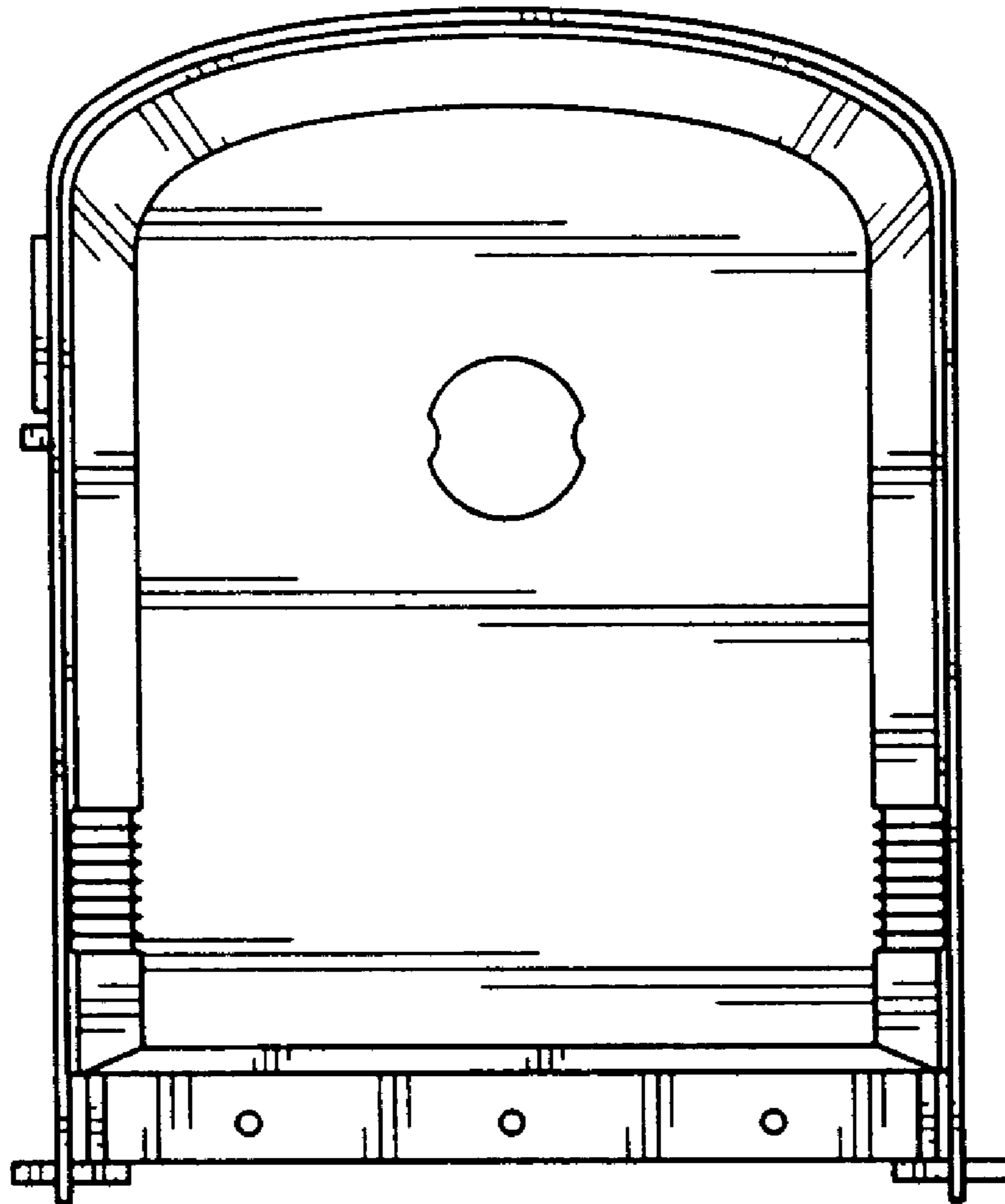


FIG. 7

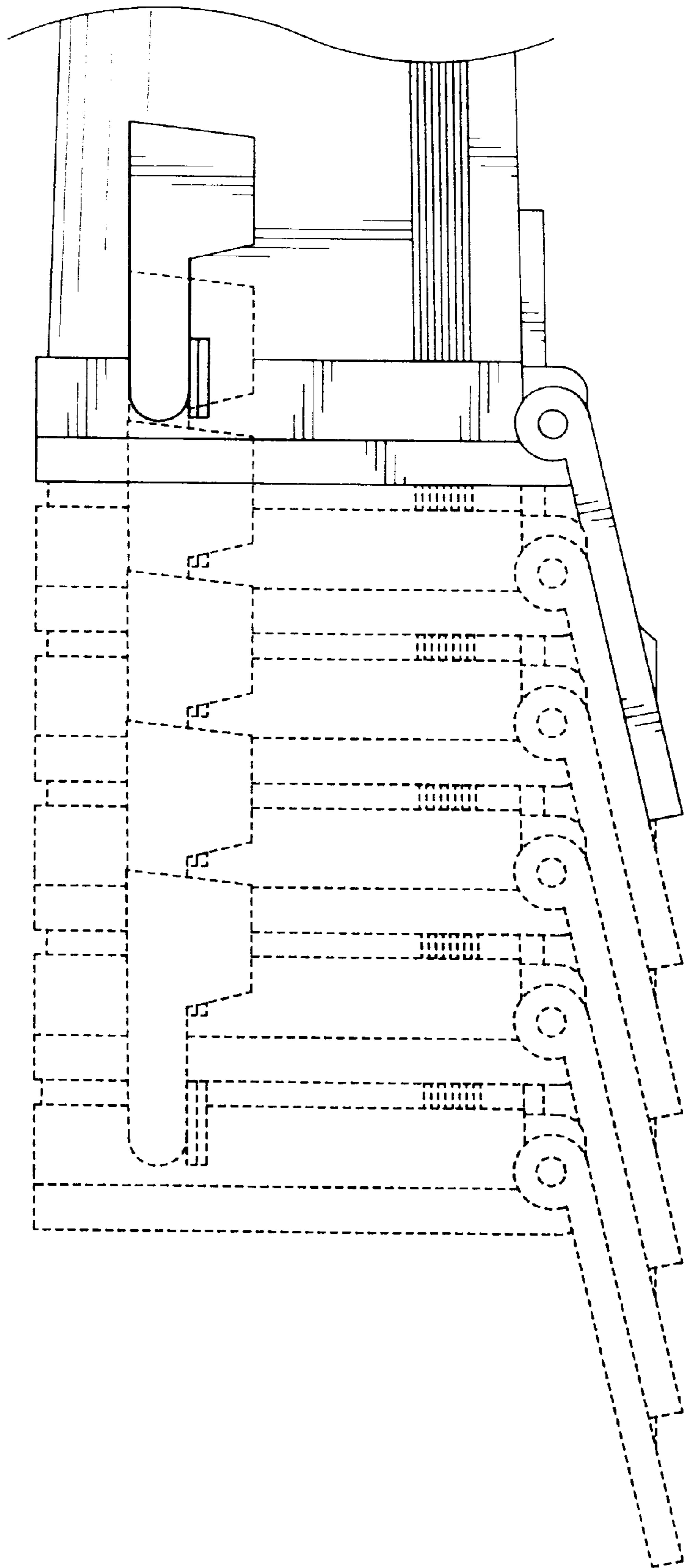


FIG. 8

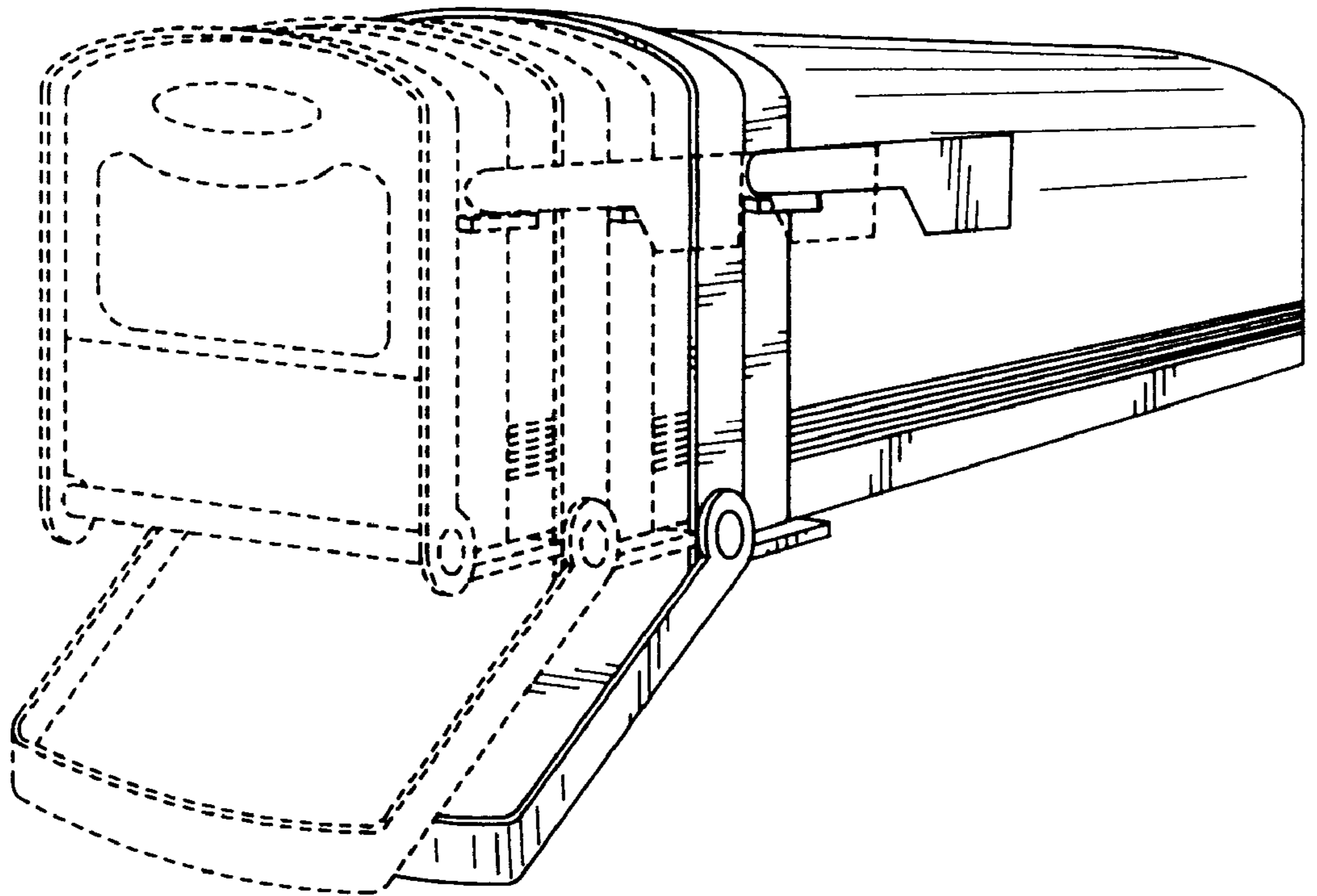


FIG. 9

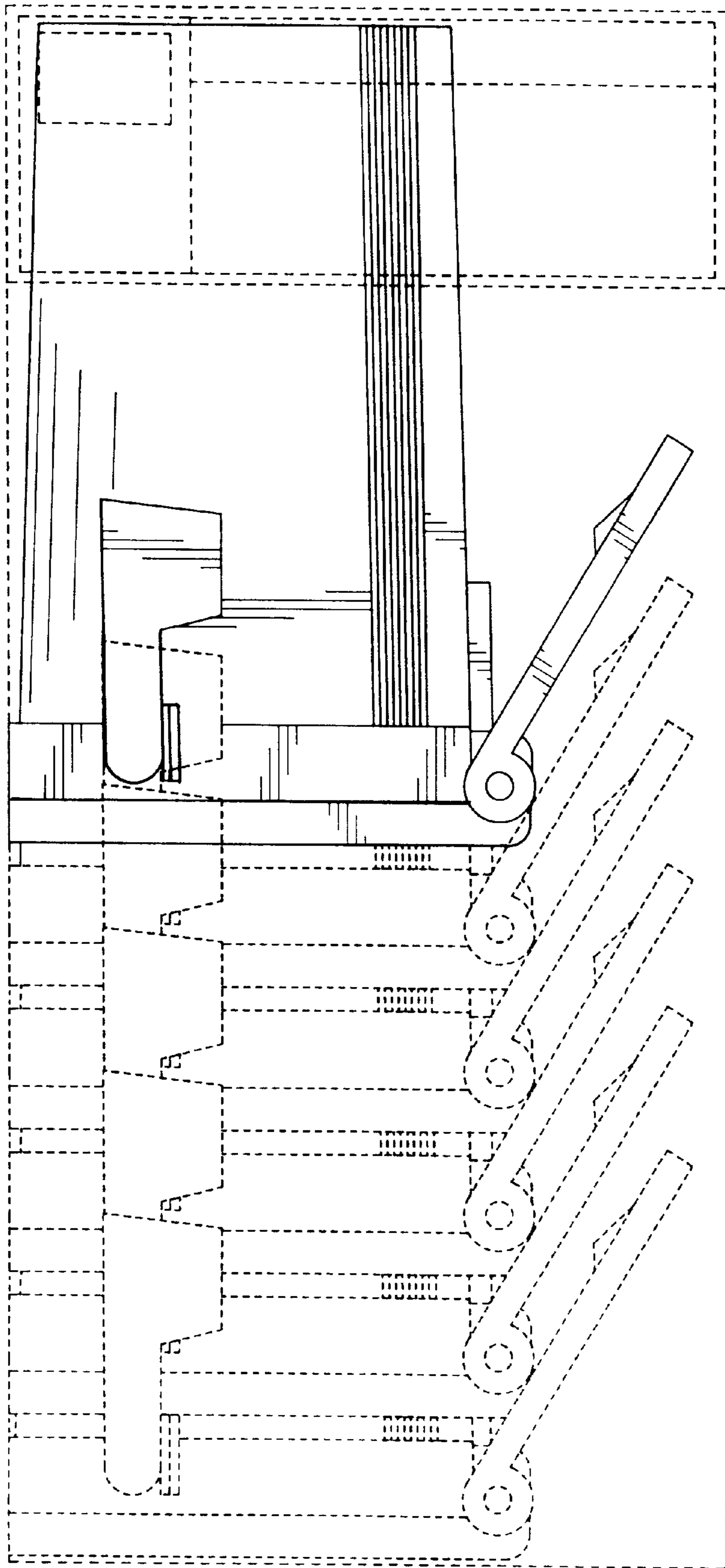


FIG. 10

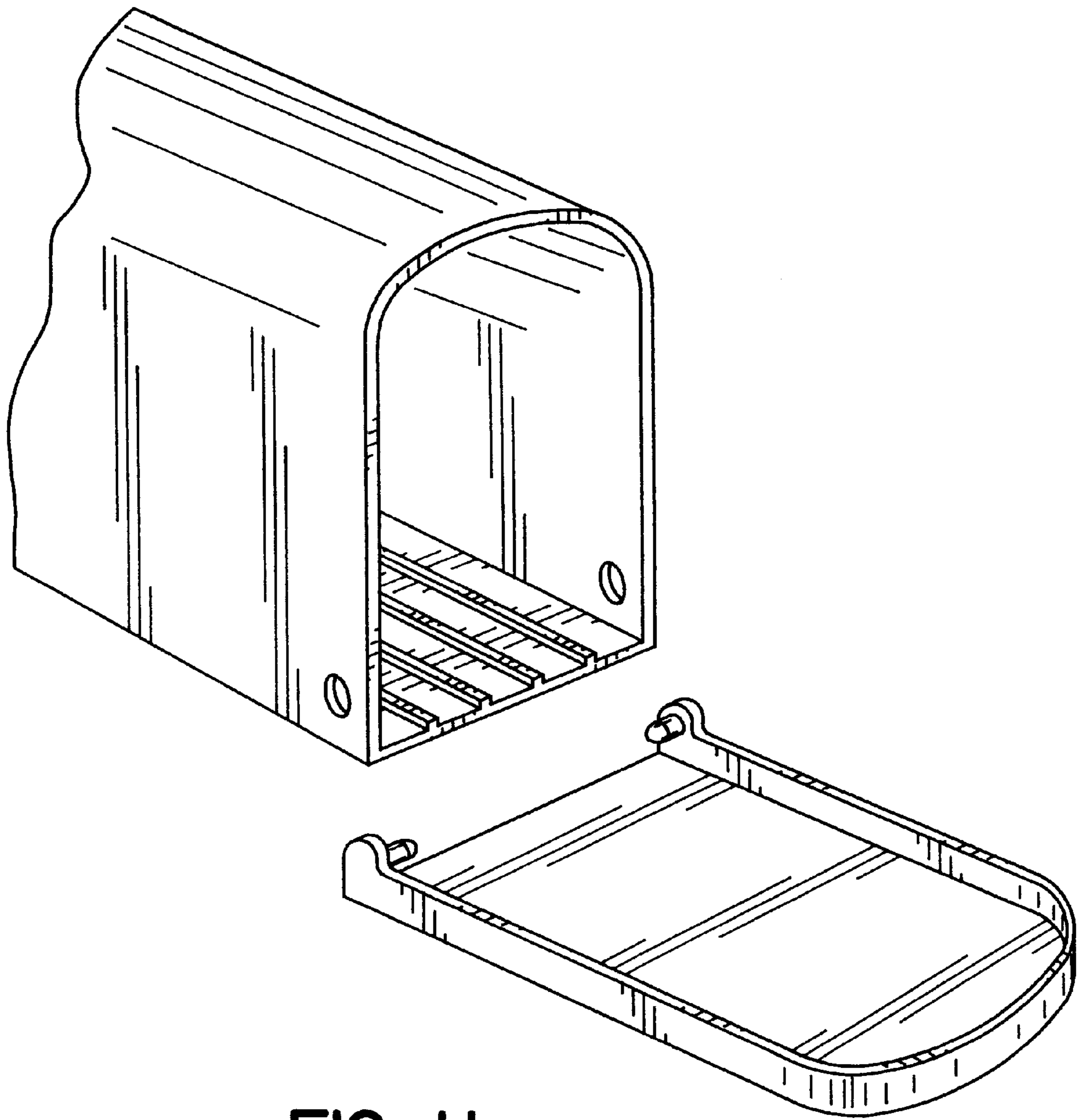


FIG. 11

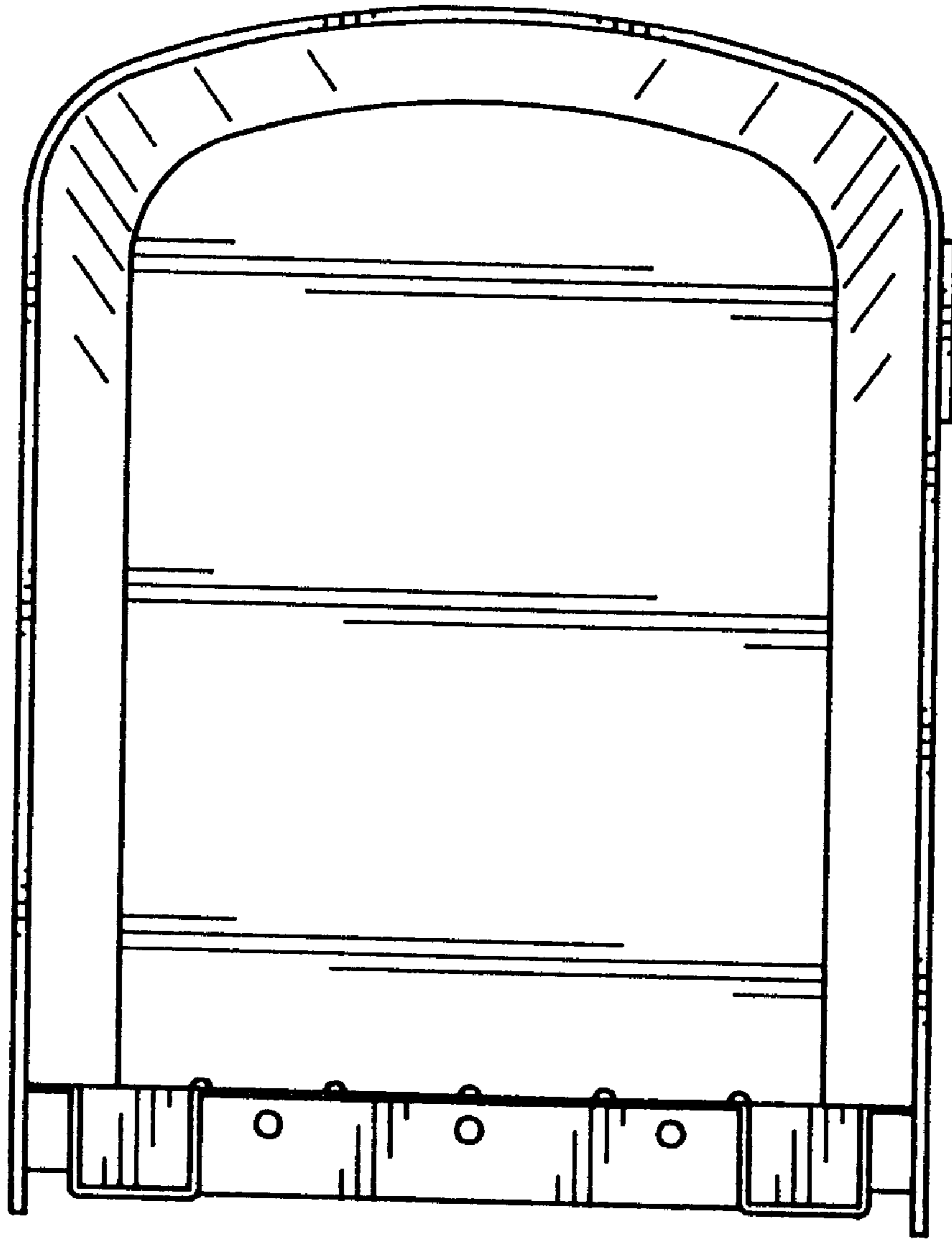


FIG. 12