



US00D438358S

(12) **United States Design Patent**
Huang

(10) **Patent No.:** **US D438,358 S**

(45) **Date of Patent:** **** Feb. 27, 2001**

(54) **ELECTRIC WINCH**

6,070,858 * 6/2000 Hase et al. 254/371
6,098,962 * 8/2000 Henly 254/333

(76) Inventor: **Shih Jyi Huang**, No. 19. Alley 6, Lane
325, Chien Kang Road, Taipei (TW)

* cited by examiner

(**) Term: **14 Years**

Primary Examiner—Cynthia E Ramirez

(74) *Attorney, Agent, or Firm*—Bacon & Thomas, PLLC

(21) Appl. No.: **29/124,947**

(57) **CLAIM**

(22) Filed: **Jun. 14, 2000**

The ornamental design for an electric winch, as shown and described.

(51) **LOC (7) Cl.** **12-05**

(52) **U.S. Cl.** **D34/33**

(58) **Field of Search** D34/31, 34, 33;
254/371, 374, 333, DIG. 14

DESCRIPTION

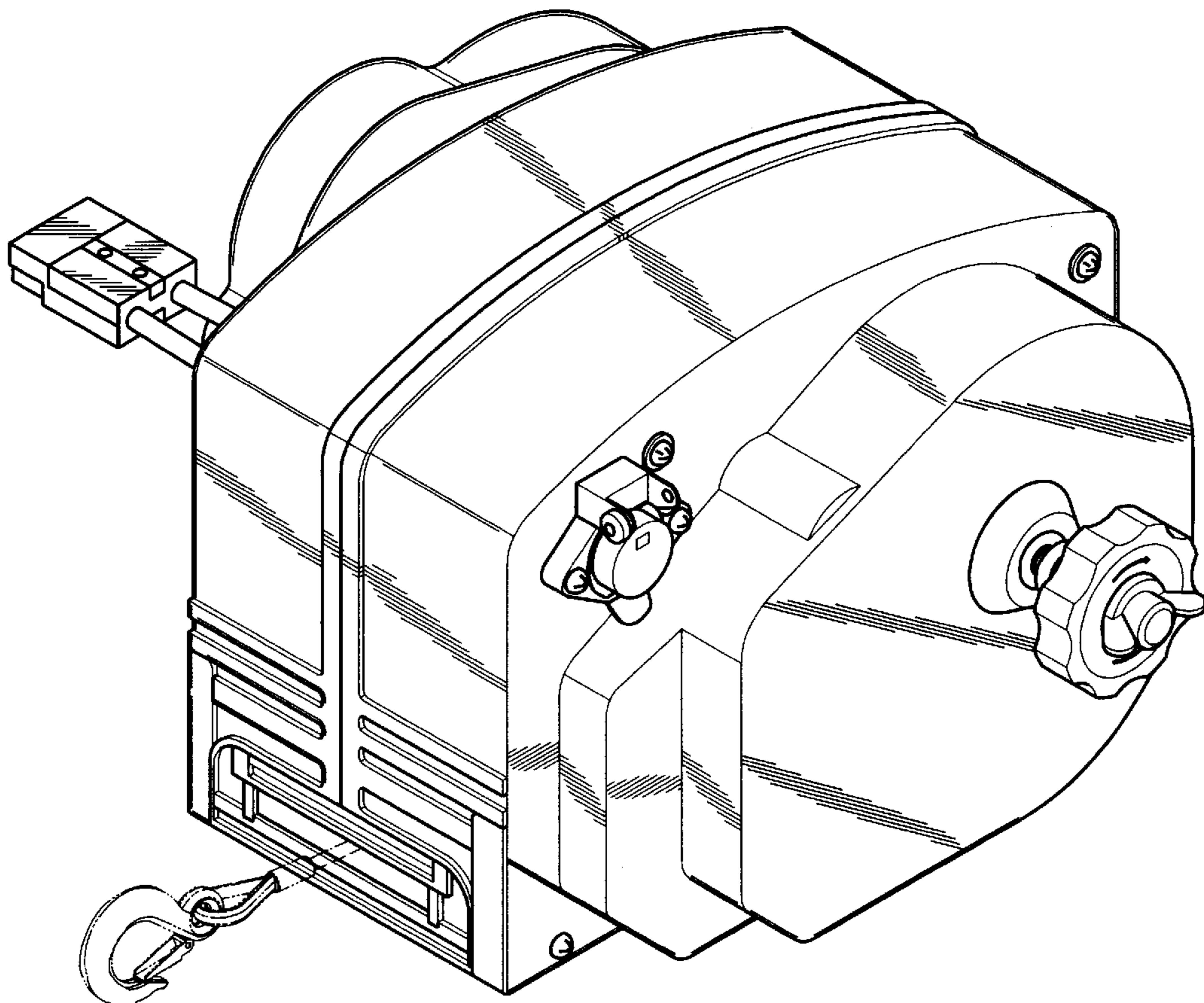
(56) **References Cited**

U.S. PATENT DOCUMENTS

D. 134,180	*	10/1942	Parker	D34/33
D. 199,989	*	1/1965	Hoff	D34/33
D. 238,347	*	1/1976	Laatsch	D34/33
D. 238,482	*	1/1976	Pitts	D34/33
D. 238,861	*	2/1976	Cavalleri	D34/33
D. 292,137	*	9/1987	Andersen	D34/33
D. 295,104	*	4/1988	Pancook	D34/33
D. 313,299	*	12/1990	Tupper	D34/33
D. 346,258	*	4/1994	Zankich	D34/33
5,957,433	*	9/1999	Fujikawa et al.	254/371

FIG. 1 is a perspective view of an electric winch showing my new design;
FIG. 2 is a right side elevational view thereof;
FIG. 3 is a top plan view thereof;
FIG. 4 is a front elevational view thereof;
FIG. 5 is a bottom plan view thereof;
FIG. 6 is a left side elevational view thereof; and,
FIG. 7 is a rear elevational view thereof; and,
FIG. 8 is a perspective view of an electric winch embodying my new design, the cord and hook shown in broken lines are for illustrative purposes only and form no part of the claimed design.

1 Claim, 5 Drawing Sheets



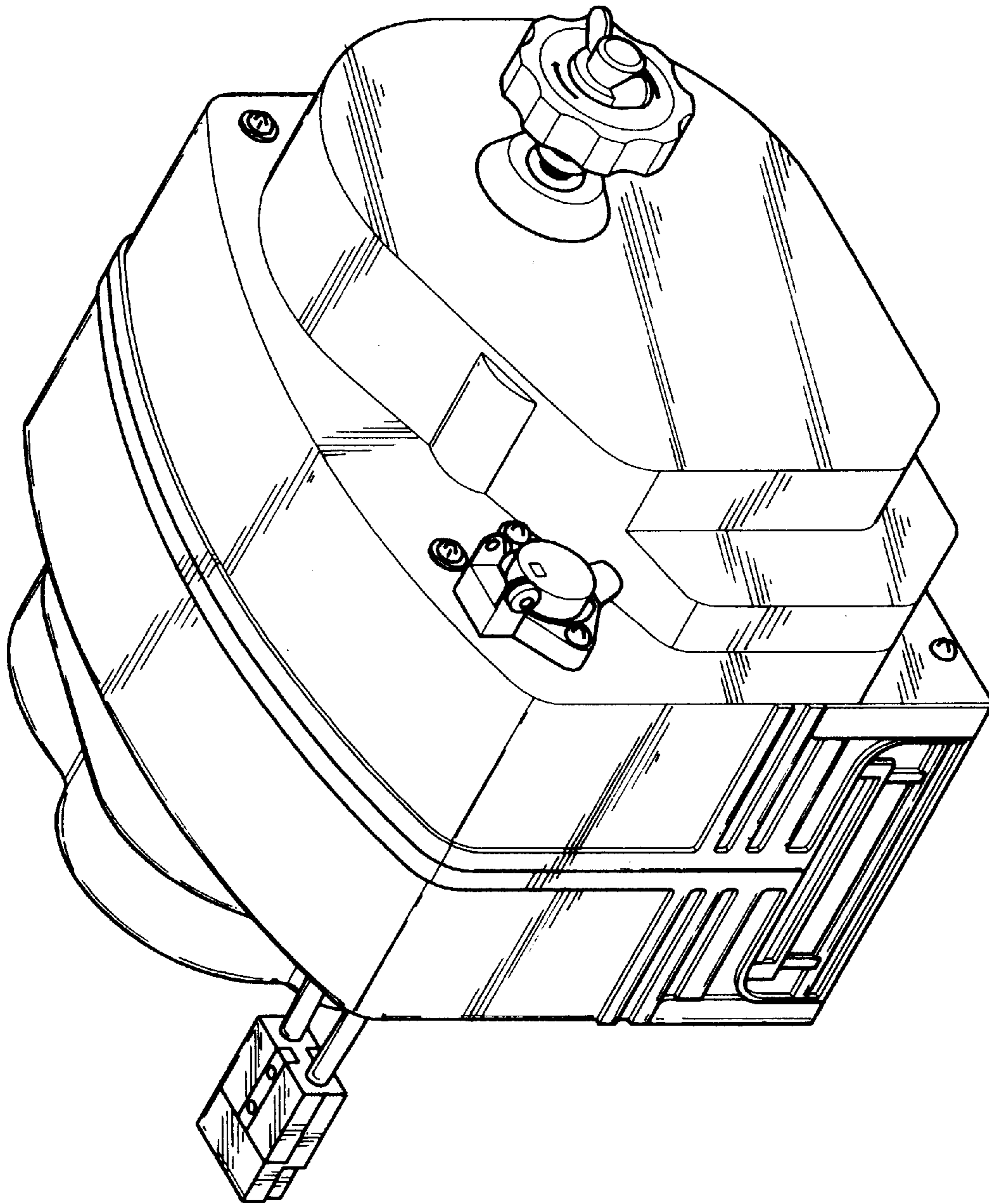


FIG. 1

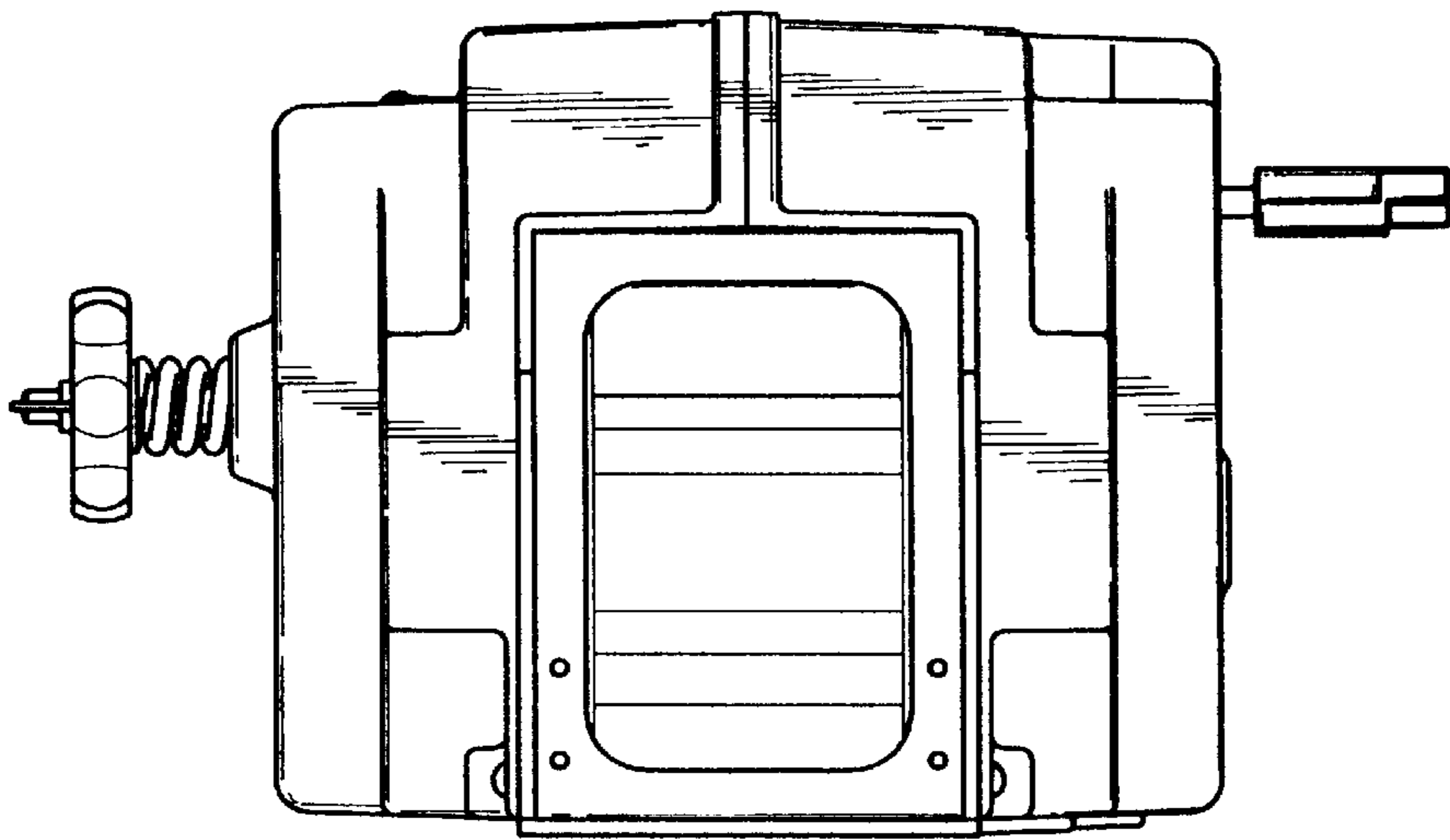


FIG. 2

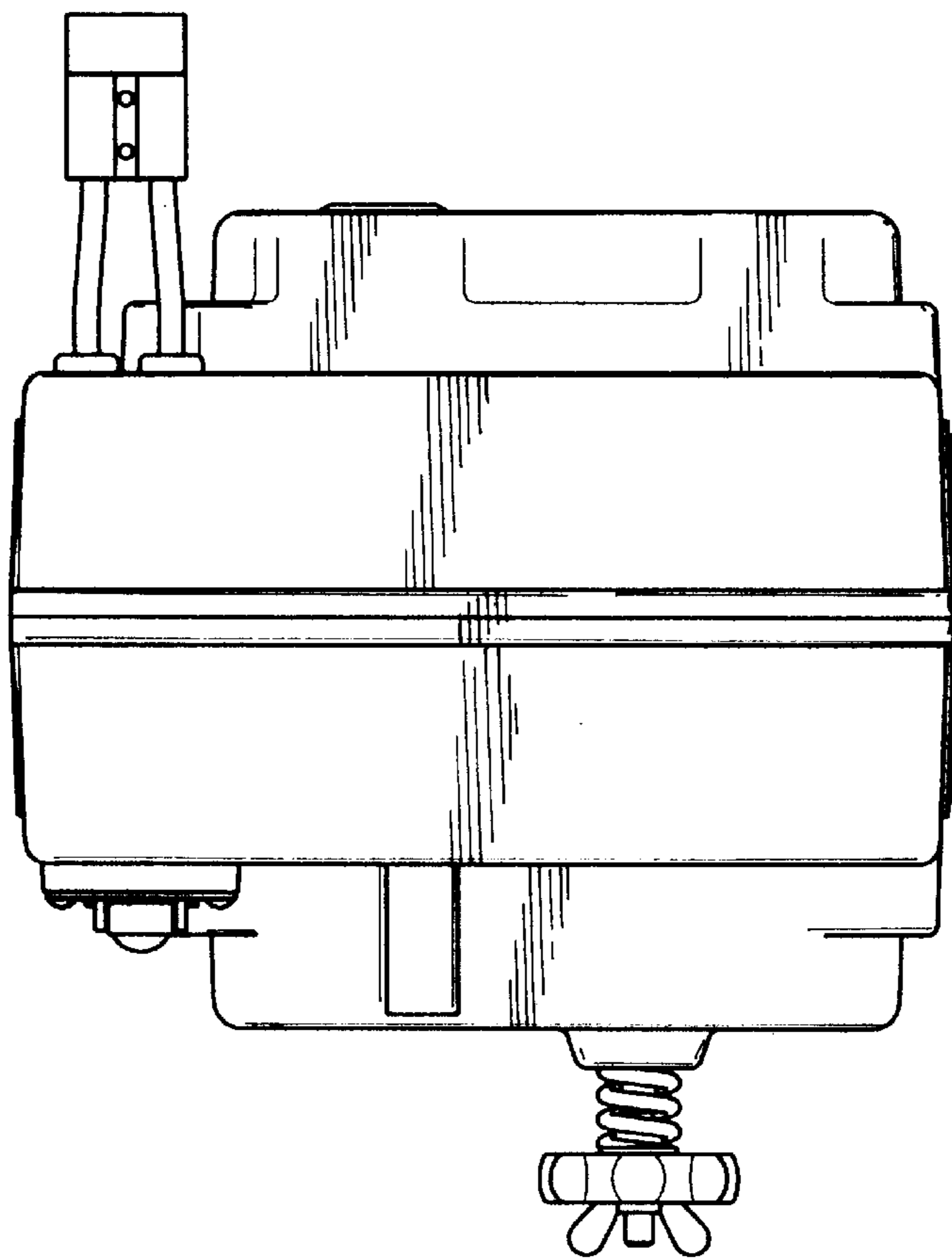


FIG. 3

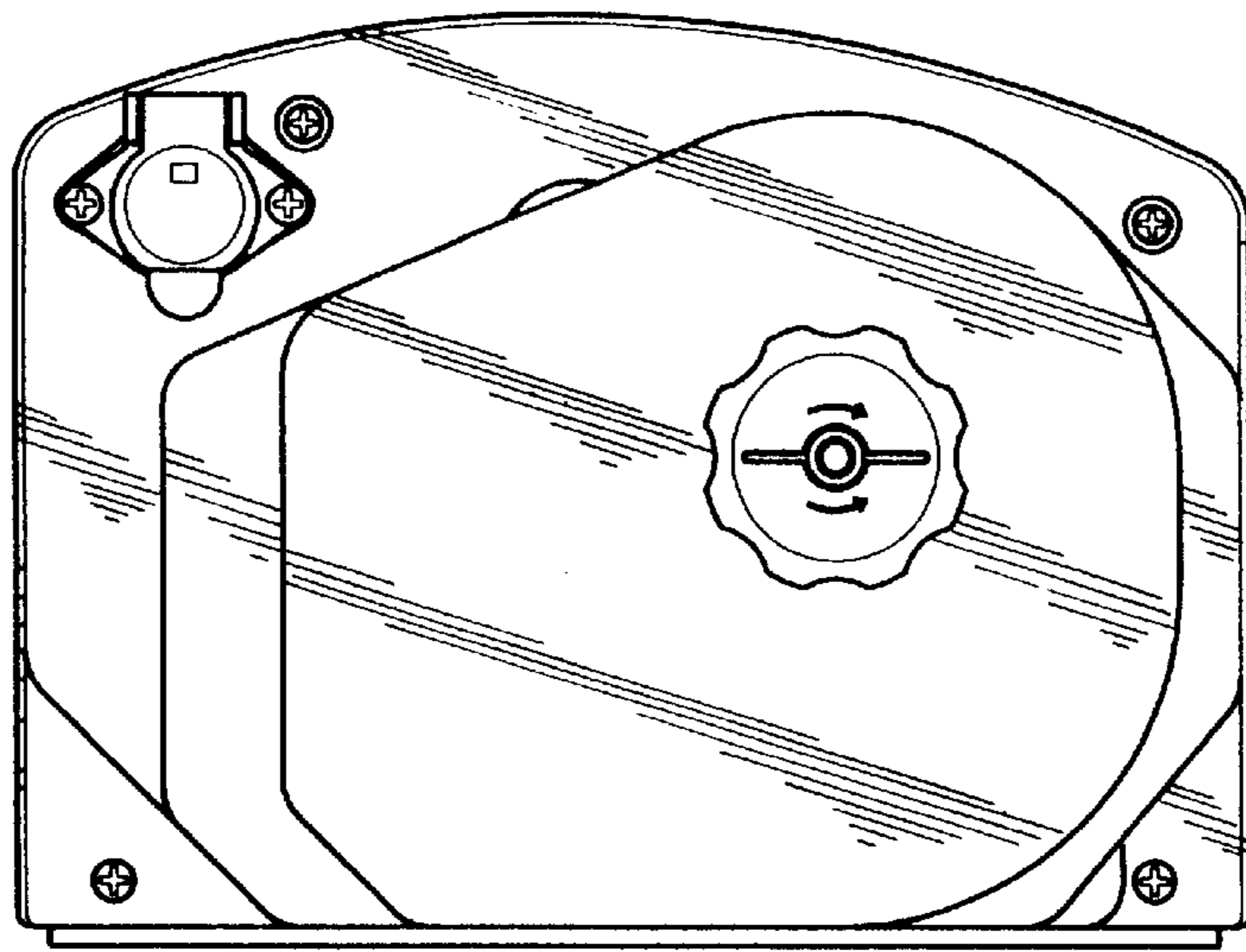


FIG. 4

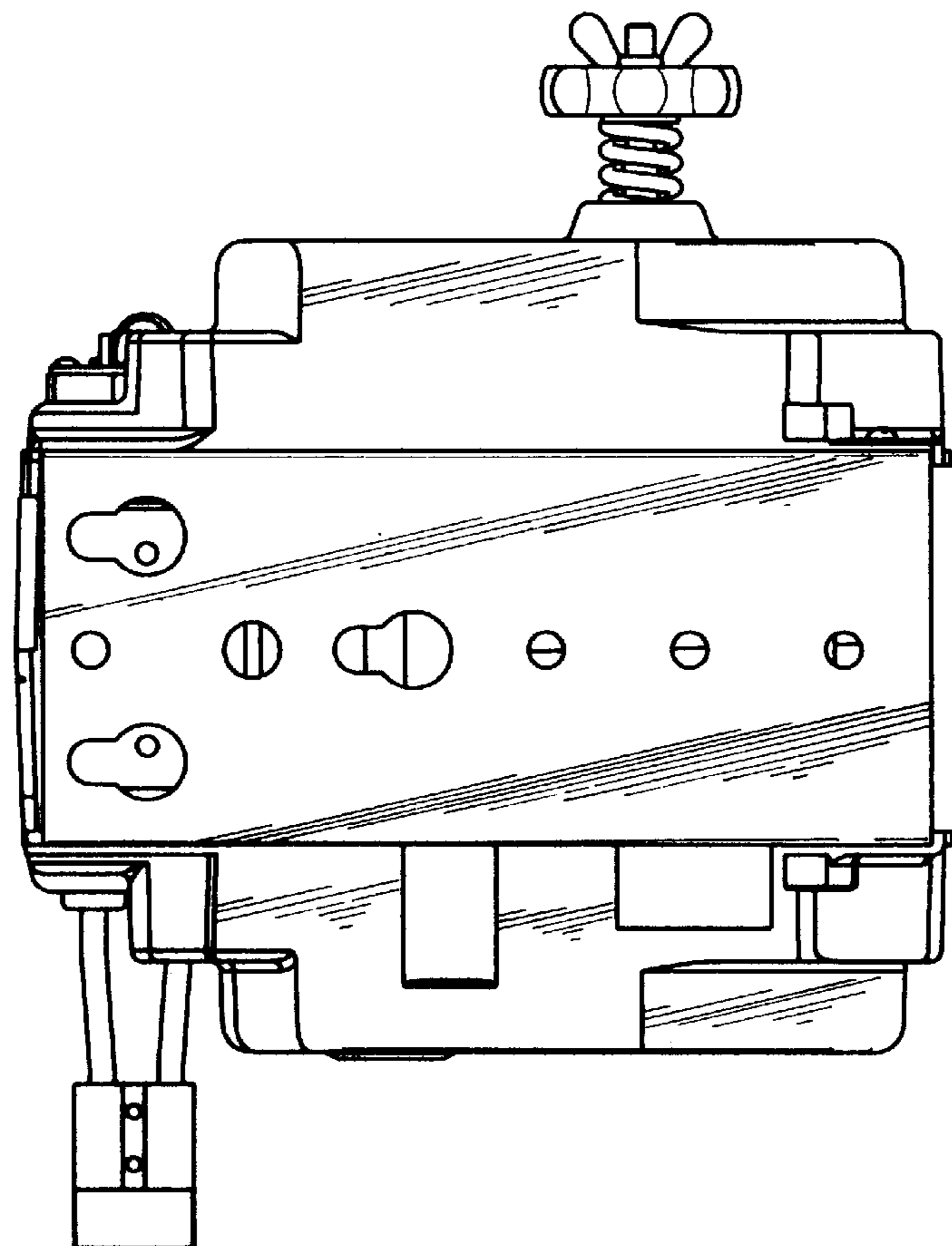


FIG. 5

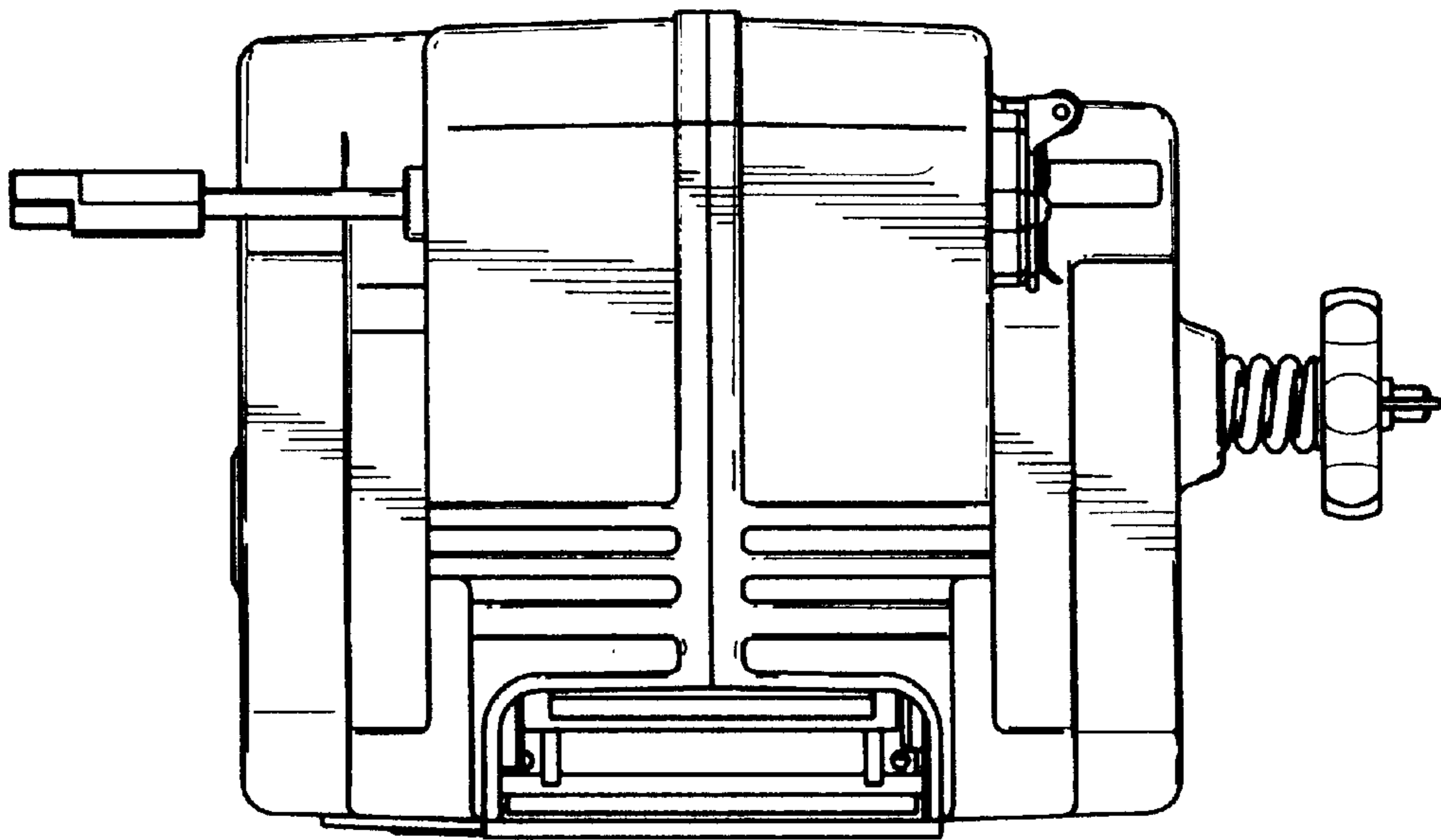


FIG. 6

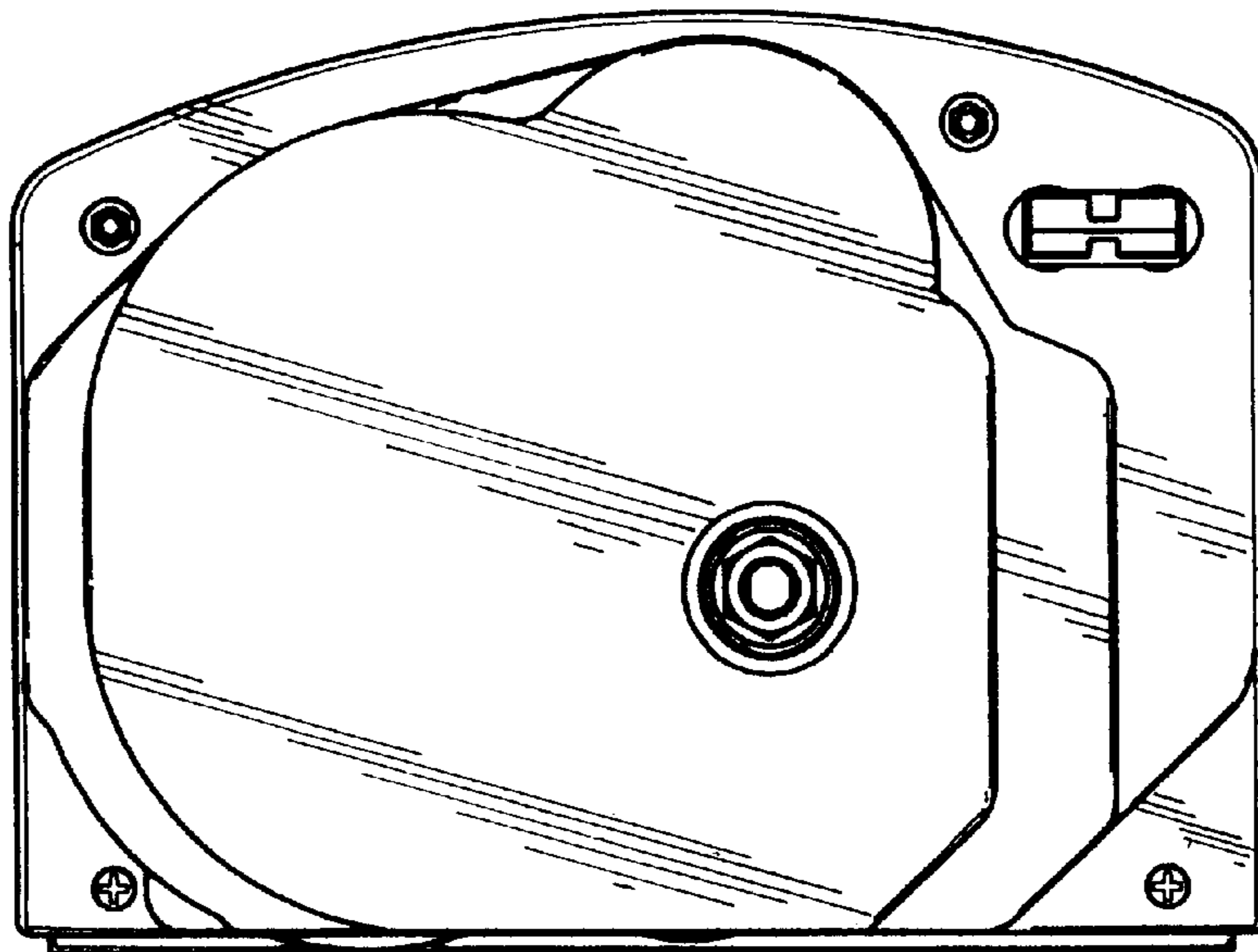


FIG. 7

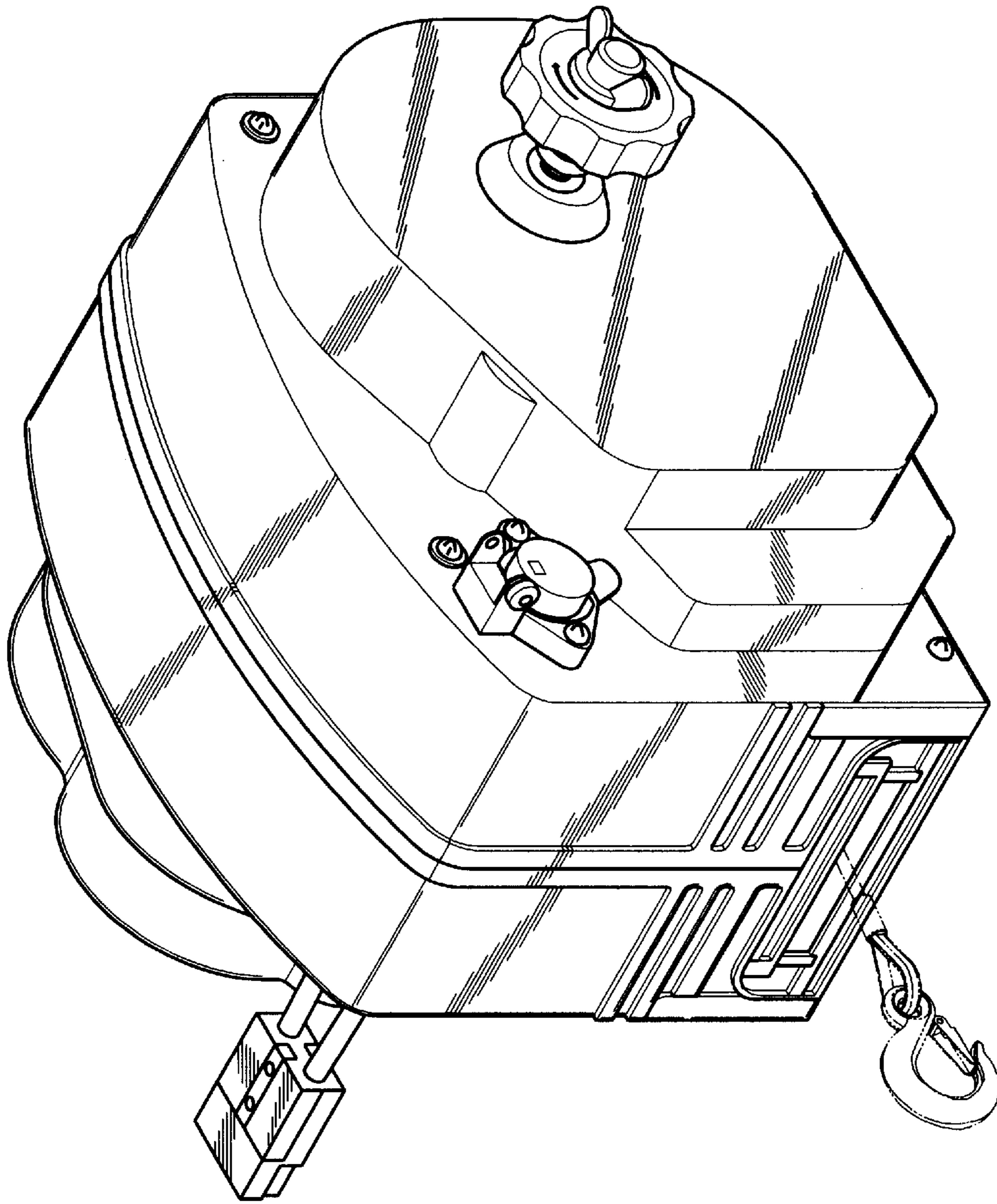


FIG. 8