



US00D438353S

(12) **United States Design Patent**
Hoshino et al.

(10) **Patent No.:** **US D438,353 S**

(45) **Date of Patent:** **** Feb. 27, 2001**

(54) **COMBINED WET/DRY VACUUM**

(75) Inventors: **Kiyoshi Hoshino**, Chesterfield; **Stuart V. Holsten**, O'Fallon; **David E. Beth**, St. Charles, all of MO (US)

(73) Assignee: **Emerson Electric Co.**, St. Louis, MO (US)

(**) Term: **14 Years**

(21) Appl. No.: **29/117,784**

(22) Filed: **Jan. 27, 2000**

(51) **LOC (7) Cl.** **15-05**

(52) **U.S. Cl.** **D32/23**

(58) **Field of Search** D32/21, 23, 25, D32/31; D34/23, 27; 15/320-321, 327.1, 327.2, 327.3, 327.4, 327.6, 327.7, 339, 323, 325, 410, 352

(56) **References Cited**

U.S. PATENT DOCUMENTS

- D. 357,336 * 4/1995 Moine et al. D32/23
- D. 357,773 * 4/1995 Wareham et al. D32/23
- D. 361,179 * 8/1995 Moine et al. D32/23
- D. 362,091 * 9/1995 Tomasiak et al. D32/23

- D. 372,567 * 8/1996 Moine et al. D32/23
- D. 373,862 * 9/1996 Stephens et al. D32/23
- D. 426,355 * 6/2000 Rohn et al. D32/21
- D. 429,042 * 8/2000 Griffin et al. D32/23
- 5,528,794 * 6/1996 Tomasiak 15/323
- 6,055,700 * 5/2000 Holsten et al. 15/327.2

* cited by examiner

Primary Examiner—Ruth McInroy

(74) *Attorney, Agent, or Firm*—Howrey Simon Arnold & White, LLP

(57) **CLAIM**

The ornamental design for a combined wet/dry vacuum, as shown and described.

DESCRIPTION

FIG. 1 is a perspective view of a combined wet/dry vacuum showing our new design;
 FIG. 2 is a right view thereof;
 FIG. 3 is a left side view thereof, illustrating the side opposite that shown in FIG. 2;
 FIG. 4 is a front view thereof;
 FIG. 5 is a view thereof;
 FIG. 6 is a top view thereof; and,
 FIG. 7 is a bottom view thereof.

1 Claim, 7 Drawing Sheets

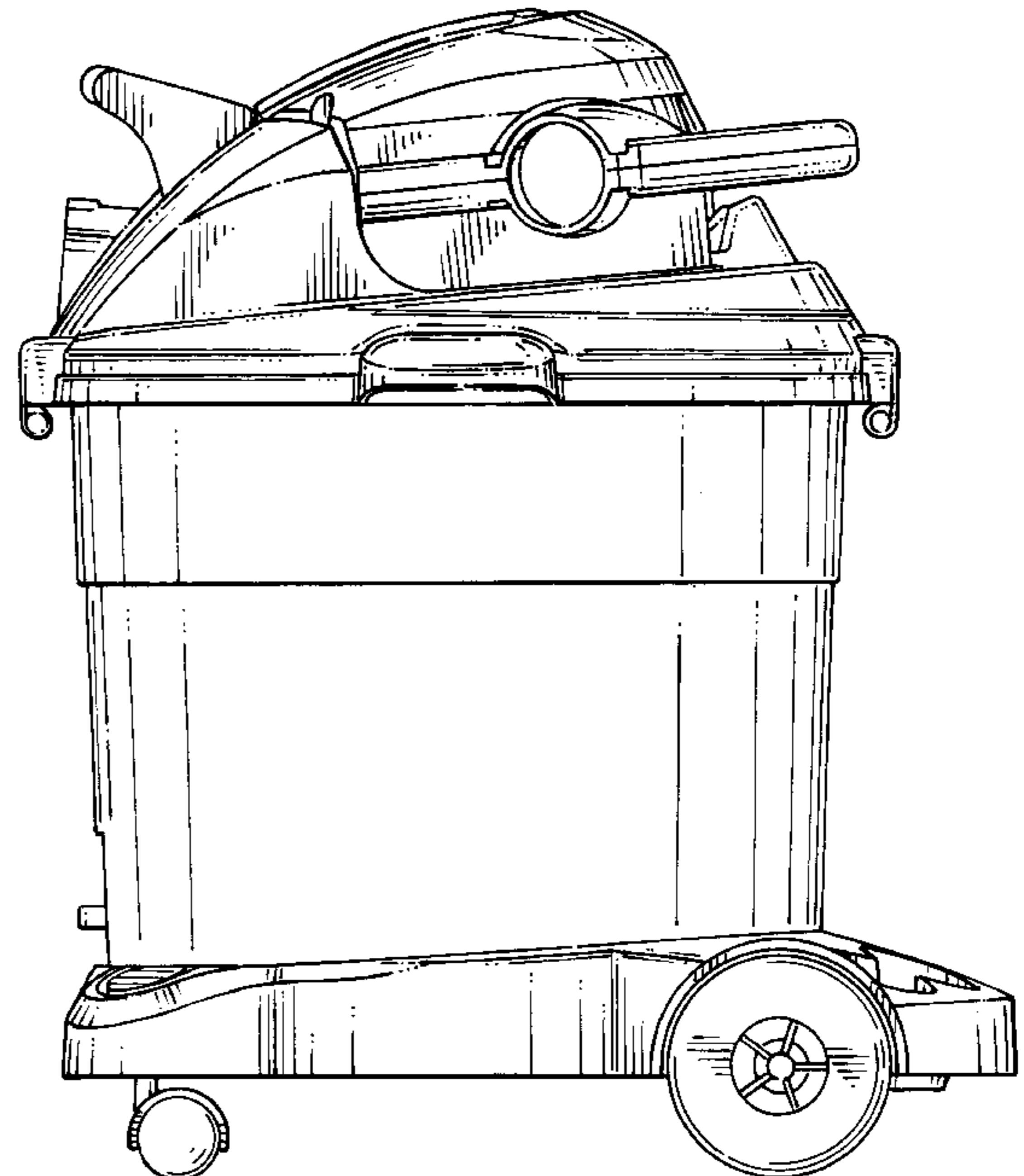
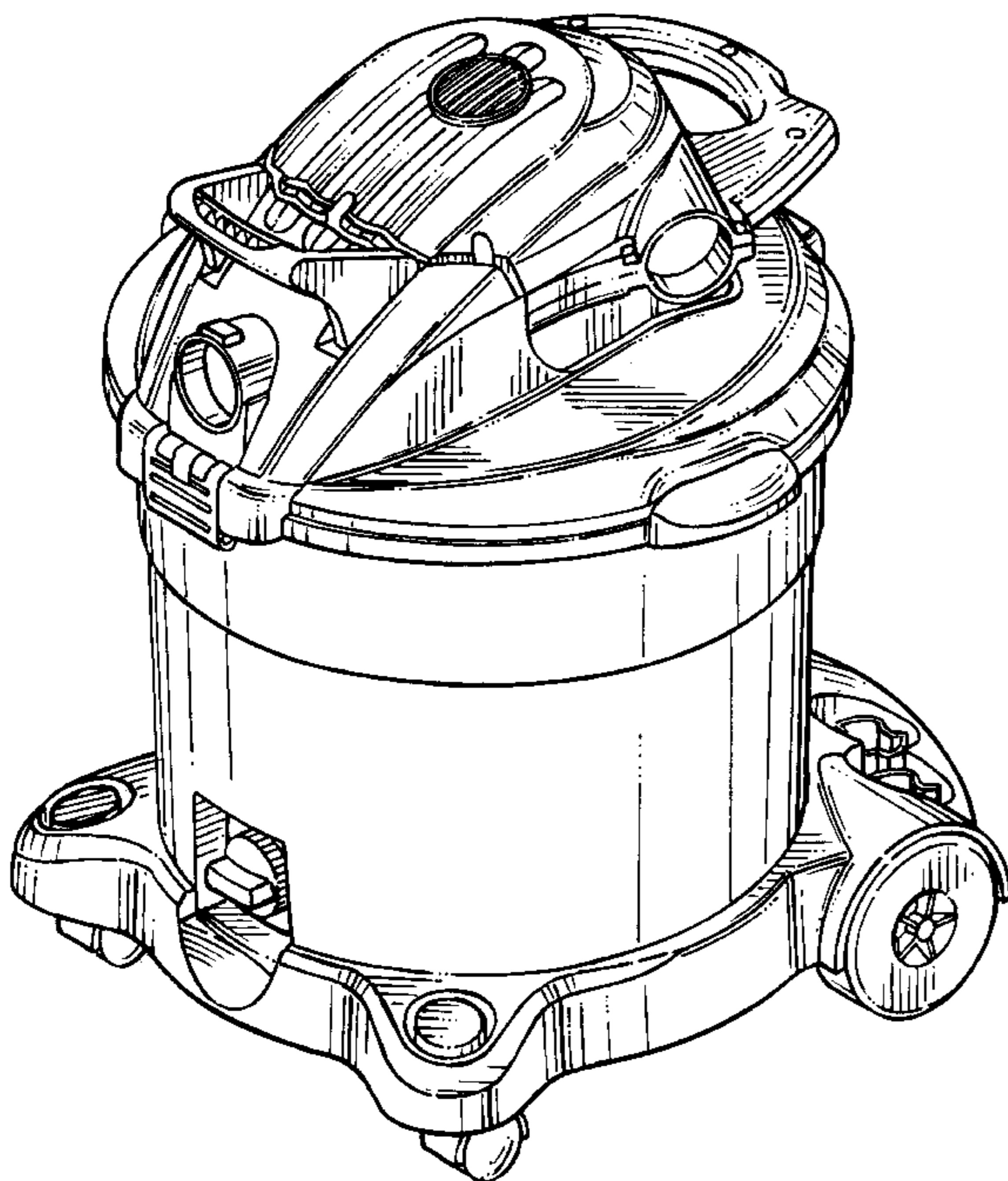


FIG. 1

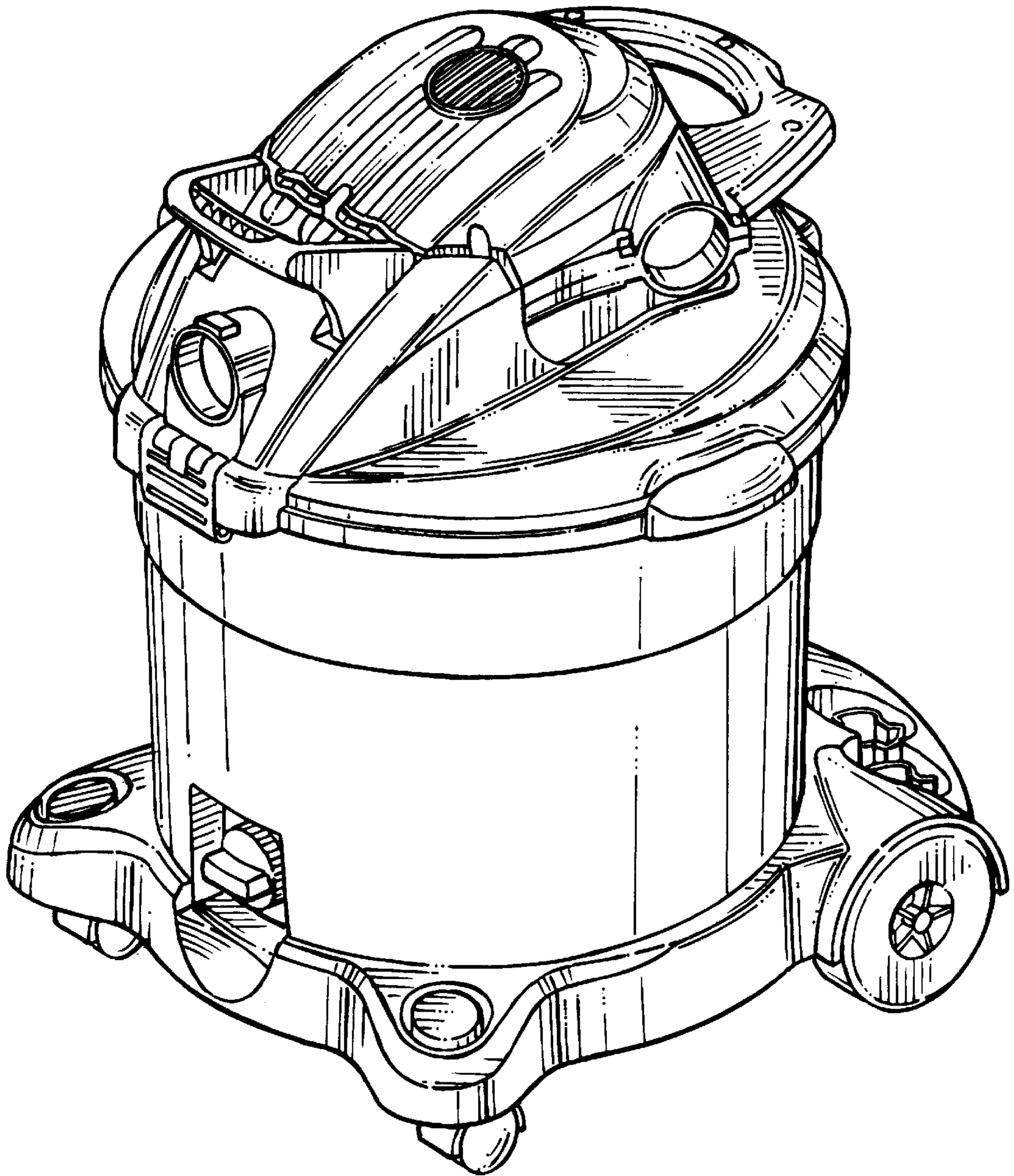


FIG. 2

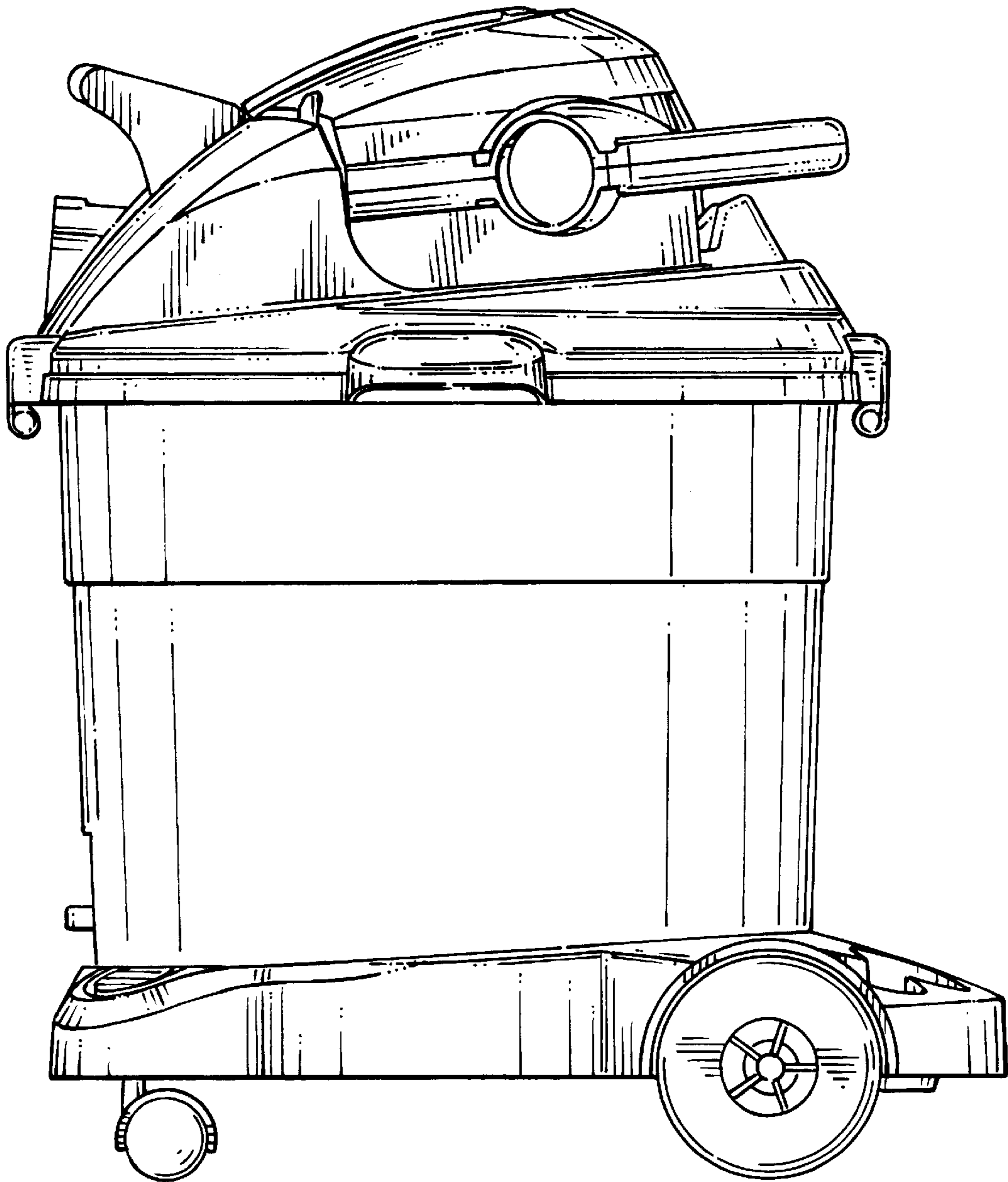


FIG. 3

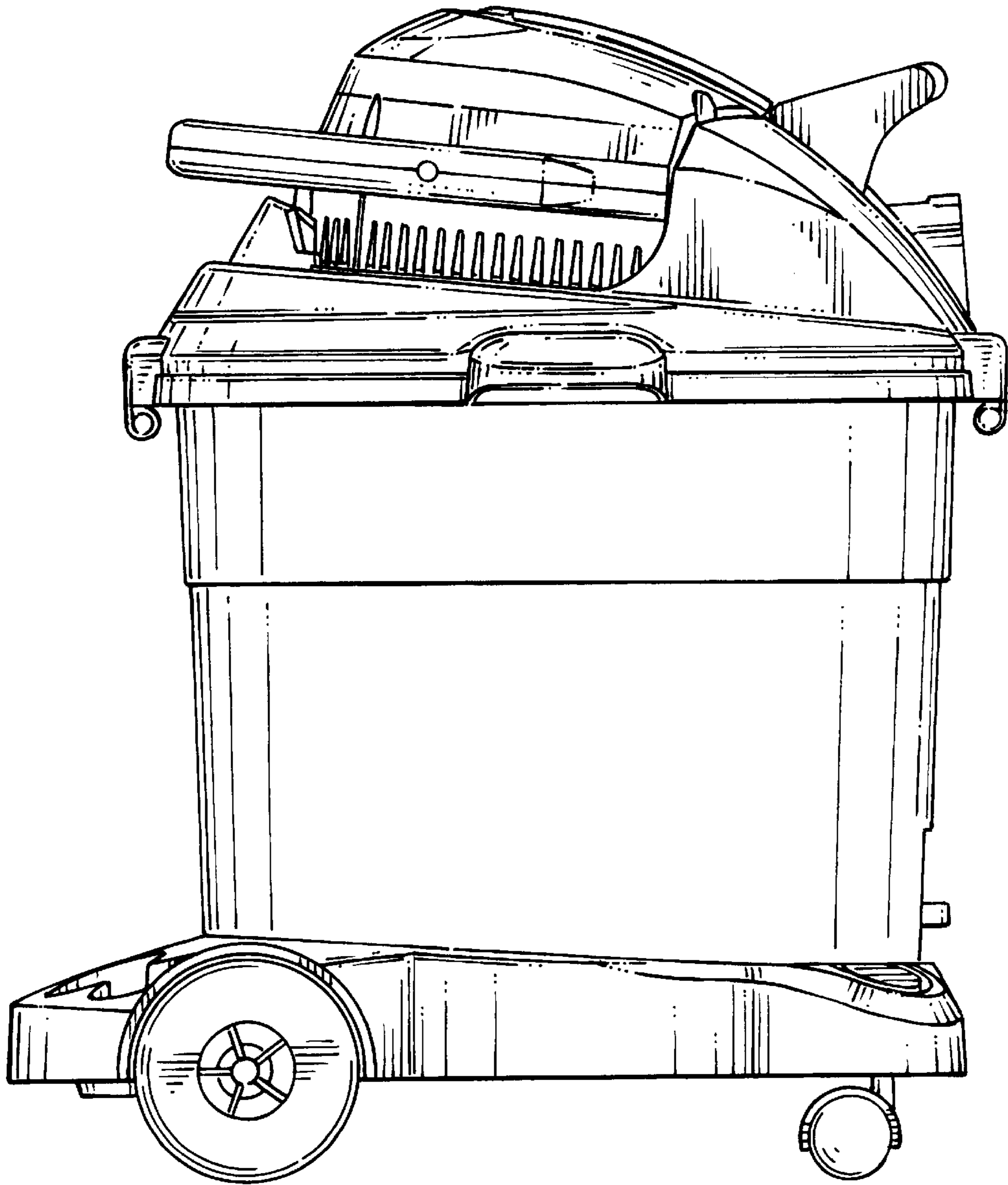


FIG. 4

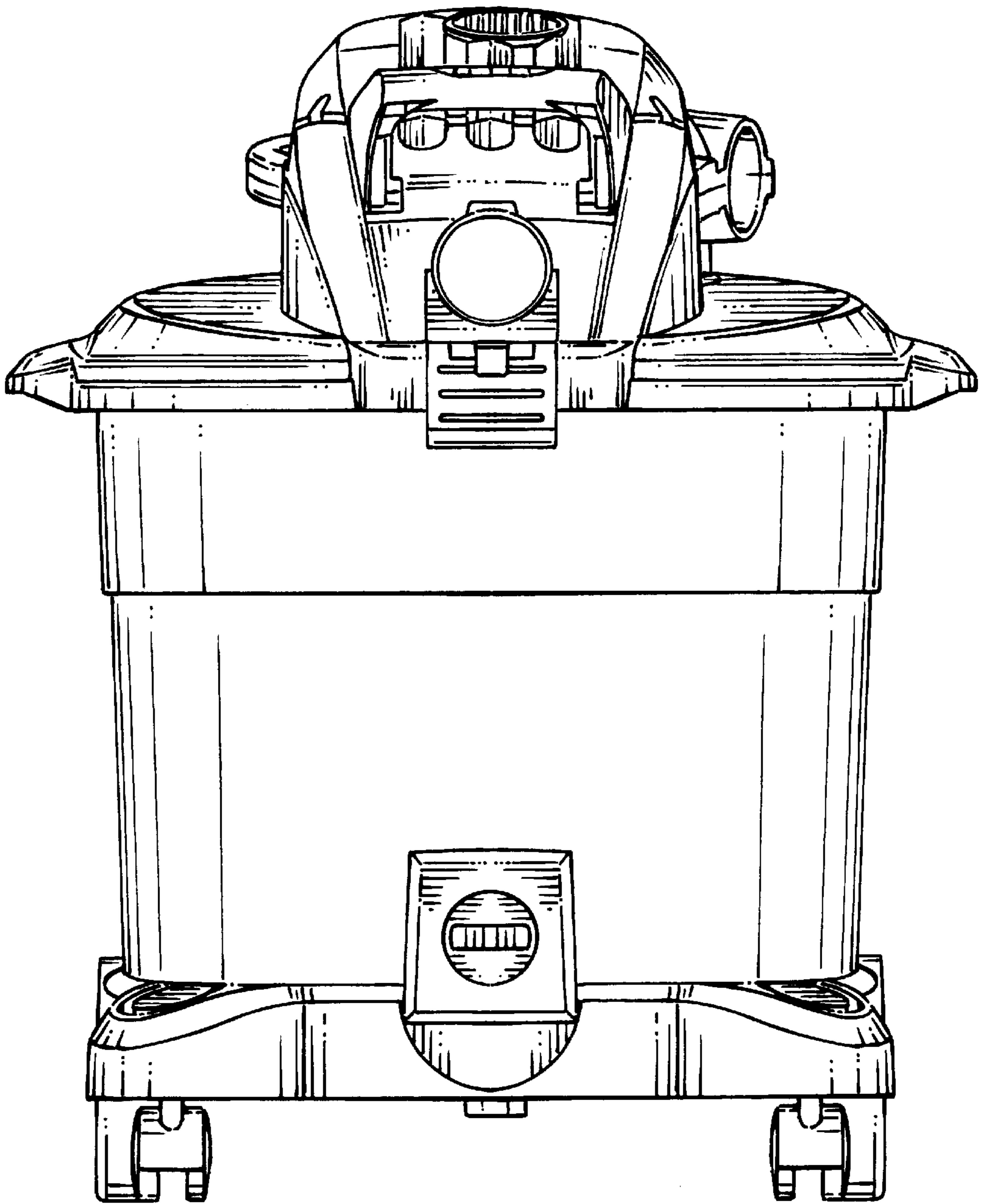


FIG. 5

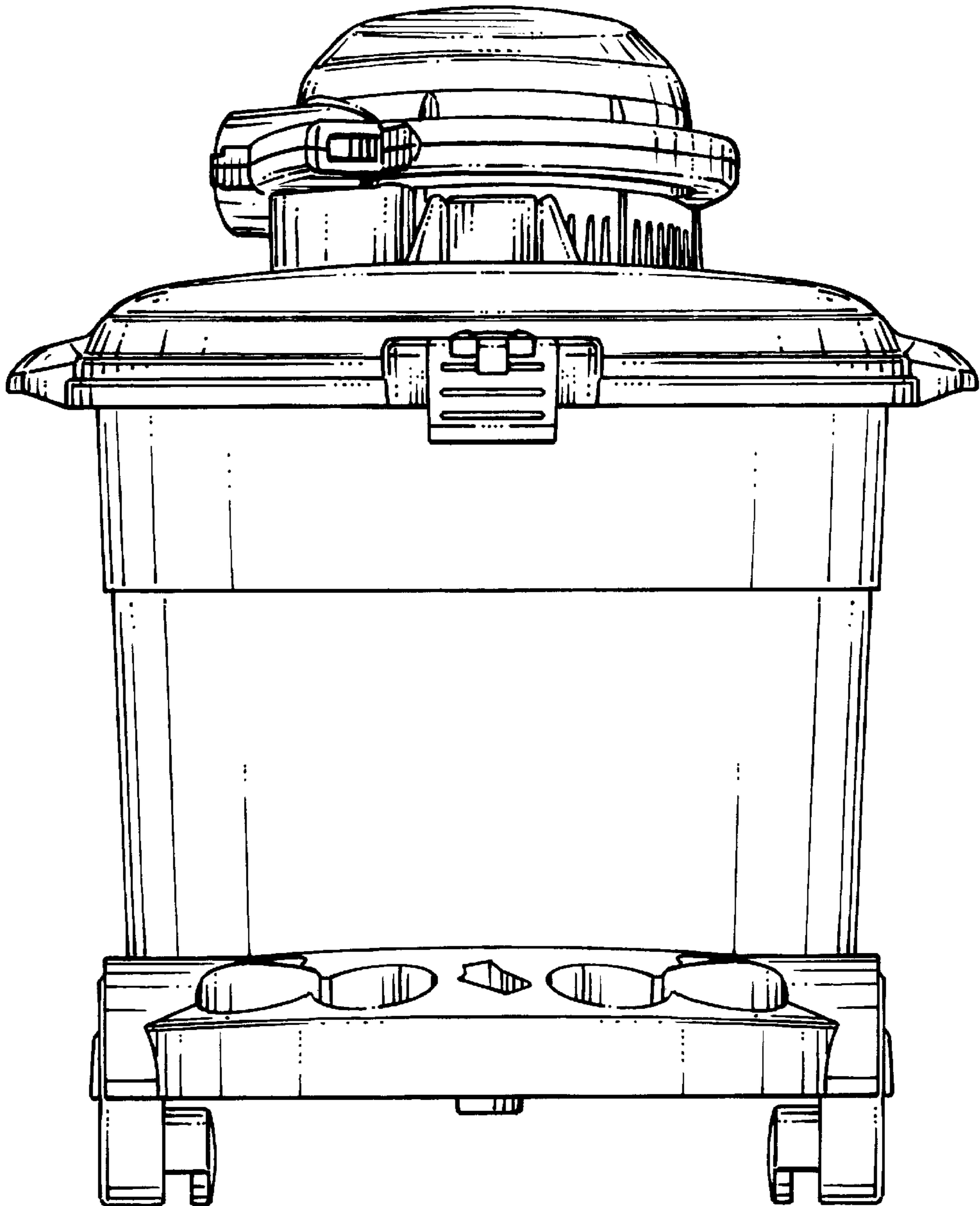


FIG. 6

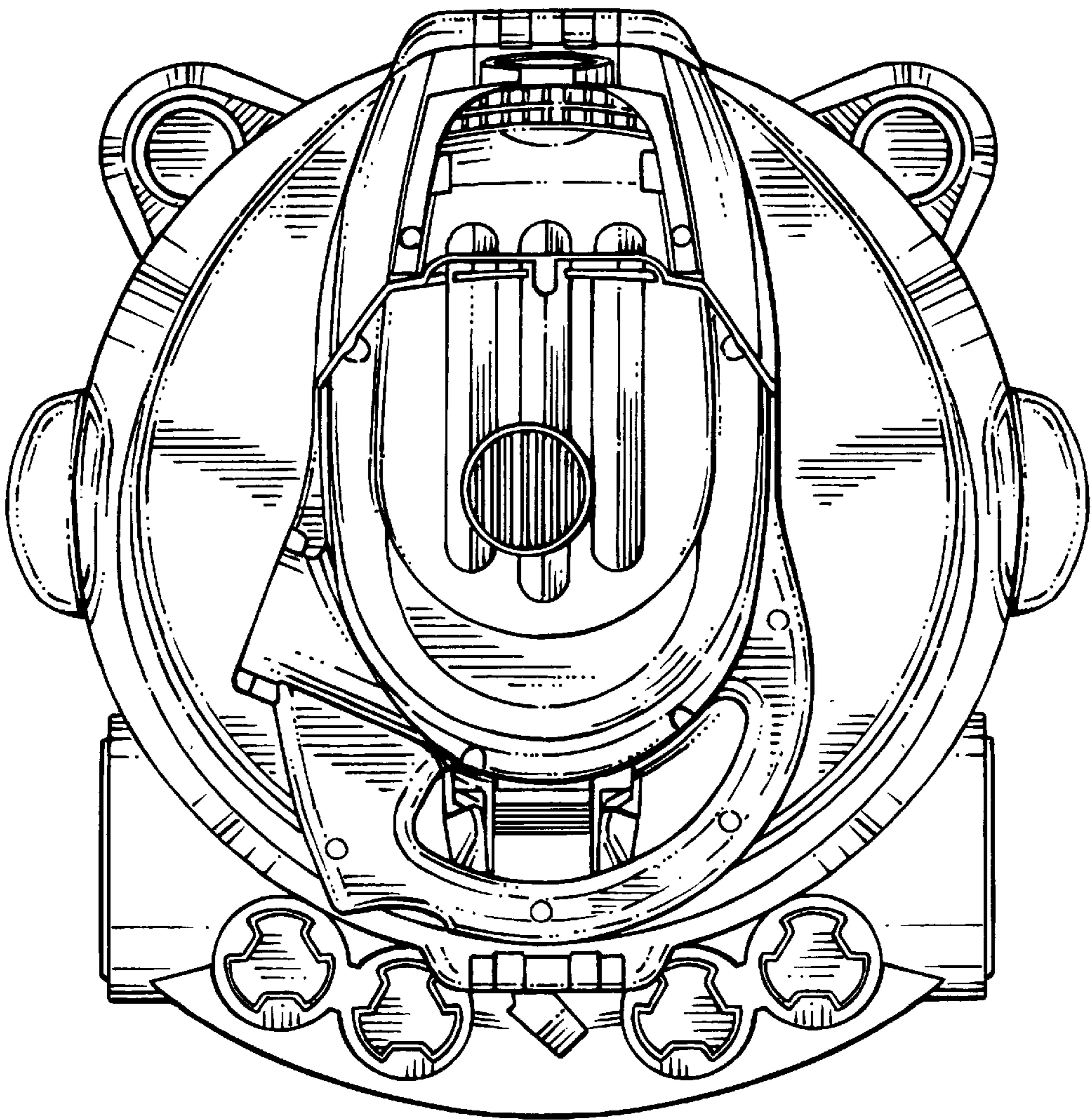
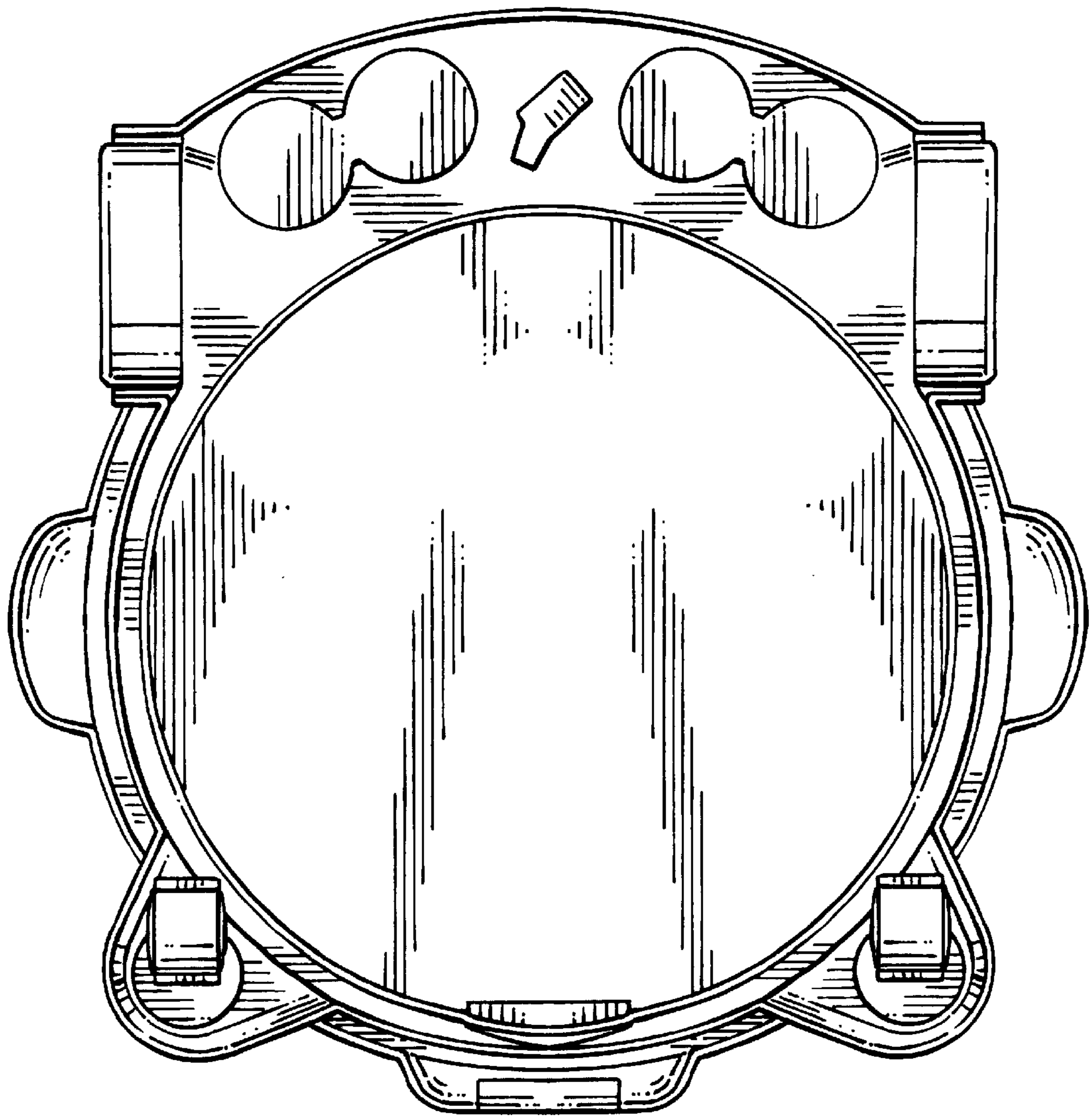


FIG. 7



UNITED STATES PATENT AND TRADEMARK OFFICE
CERTIFICATE OF CORRECTION

PATENT NO. : Des 438,353 S
DATED : February 27, 2001
INVENTOR(S) : Kiyoshi Hoshino, Stuart V. Holsten and David E. Beth

Page 1 of 1

It is certified that error appears in the above-identified patent and that said Letters Patent is hereby corrected as shown below:

Description,

Fig. 5, please add the word "rear" after the word -- a -- and in front of the word -- view --.

Signed and Sealed this

Twenty-third Day of October, 2001

Attest:

Nicholas P. Godici

Attesting Officer

NICHOLAS P. GODICI
Acting Director of the United States Patent and Trademark Office