



US00D438347S

(12) **United States Design Patent**
Petersen

(10) **Patent No.:** **US D438,347 S**

(45) **Date of Patent:** **** Feb. 27, 2001**

(54) **ANIMAL FEEDING AND DRINKING TROUGH WITH FITTINGS**

3,924,573 * 12/1975 Thomas et al. D30/131 X

* cited by examiner

(76) Inventor: **Helena E. E. Petersen**, 2839 Route 202, Dunham, QC (CA), J0E 1M0

Primary Examiner—Louis S. Zarfaz

Assistant Examiner—Catherine R. Oliver

(**) Term: **14 Years**

(74) *Attorney, Agent, or Firm*—Dykema Gossett PLLC

(21) Appl. No.: **29/103,567**

(57) **CLAIM**

(22) Filed: **Apr. 16, 1999**

An ornamental design for an animal feeding and drinking trough with fittings, as shown and described.

(30) **Foreign Application Priority Data**

DESCRIPTION

Oct. 16, 1998 (DK) MA 1998 01101

FIG. 1 is a perspective view of an animal feeding and drinking trough with fittings in accordance with my new design; and,

(51) **LOC (7) Cl.** **30-07**

(52) **U.S. Cl.** **D30/121**

(58) **Field of Search** D30/121-133;
119/57.8, 57.9, 51, 61, 52.1, 52, 53

FIG. 2 is a side view of an animal feeding and drinking trough with fittings in accordance with my new design.

The surface(s) or portion(s) of the animal feeding and drinking trough with fittings not shown in the drawings or described in the specification form(s) no part of the claimed design.

(56) **References Cited**

U.S. PATENT DOCUMENTS

103,935 * 6/1870 Sherman D30/131 X
1,378,263 * 5/1921 Miller D30/131 X

1 Claim, 1 Drawing Sheet

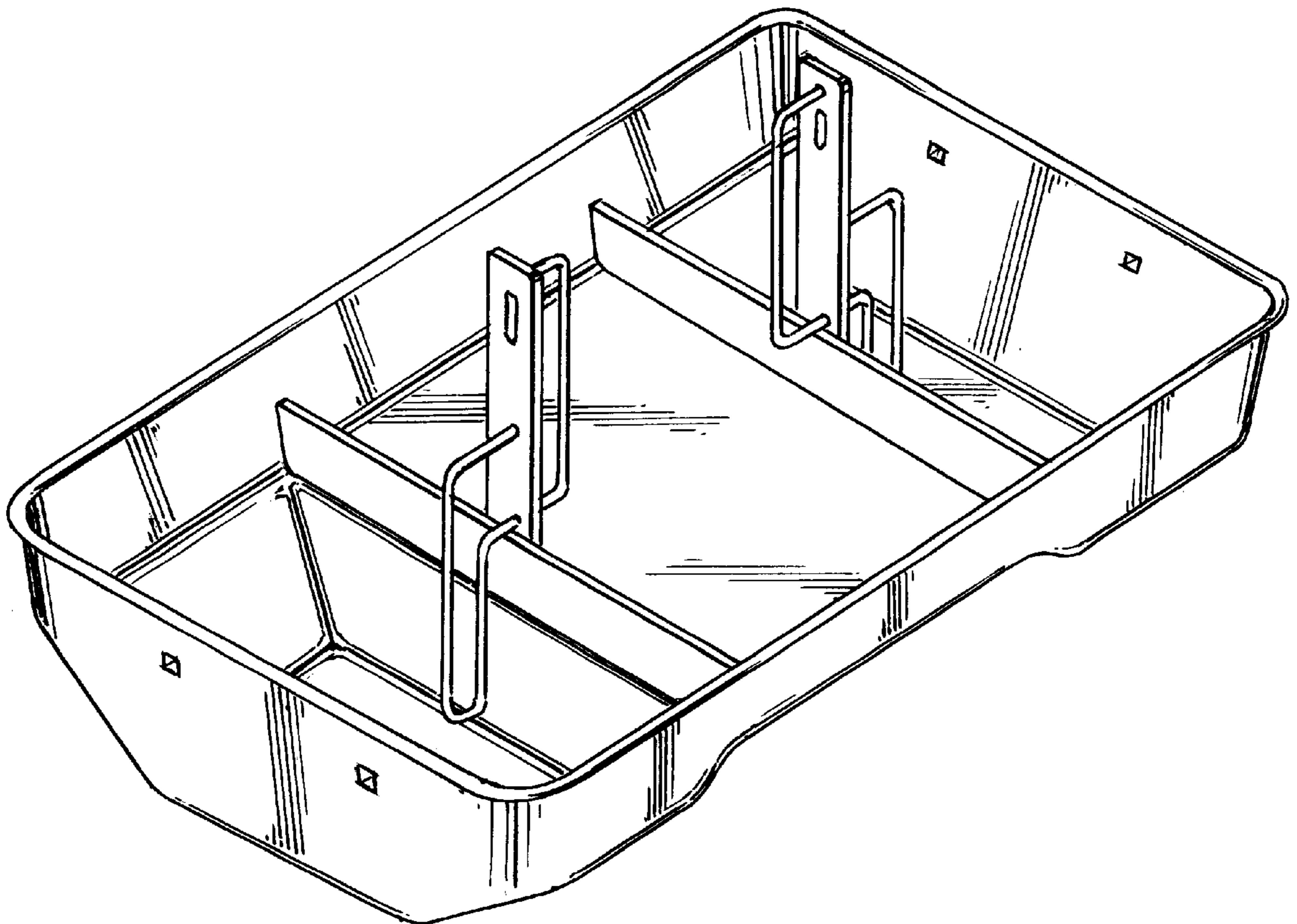


FIG. 1

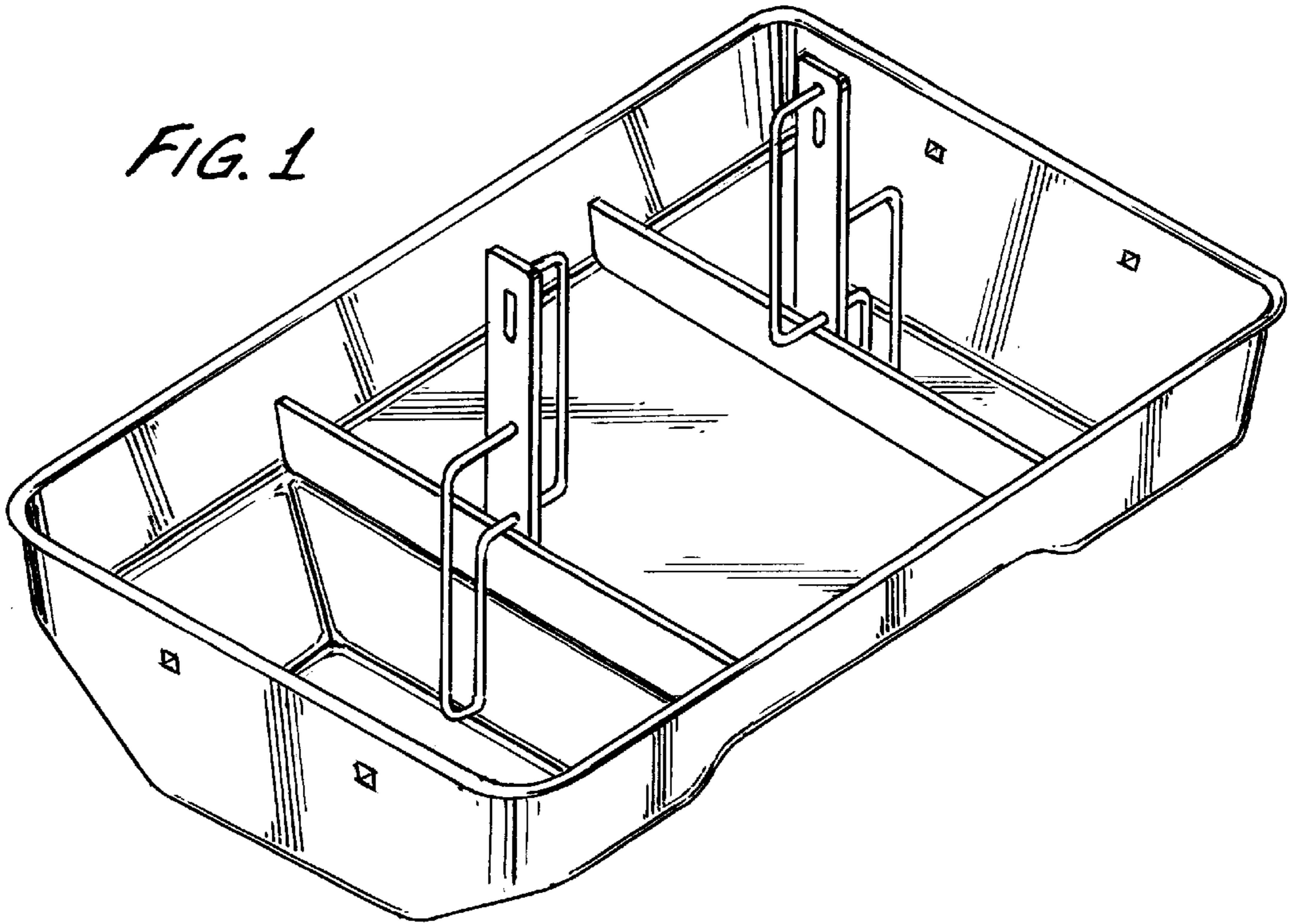


FIG. 2

