



US00D438340S

(12) **United States Design Patent**  
**Gudefin**

(10) **Patent No.:** **US D438,340 S**

(45) **Date of Patent:** **\*\* Feb. 27, 2001**

(54) **HAIR DRYER**

(75) **Inventor:** **Jacques Gudefin, Saint Priest (FR)**

(73) **Assignee:** **Calor S.A., Lyons (FR)**

(\*\*) **Term:** **14 Years**

(21) **Appl. No.:** **29/119,409**

(22) **Filed:** **Feb. 29, 2000**

(30) **Foreign Application Priority Data**

Aug. 31, 1999 (FR) ..... 99 5446

(51) **LOC (7) Cl. .... 28-03**

(52) **U.S. Cl. .... D28/13**

(58) **Field of Search .... D28/13, 14, 15,**  
**D28/16, 17, 18; 34/96, 97, 98; 392/383,**  
**384, 385; 219/383, 385**

(56) **References Cited**

**U.S. PATENT DOCUMENTS**

- D. 239,471 \* 4/1976 Gonzales ..... D28/18
- D. 274,153 \* 6/1984 Nagelkerke ..... D28/13
- D. 286,209 \* 10/1986 Camens ..... D28/13
- D. 286,924 \* 11/1986 Muller ..... D28/13
- D. 391,017 \* 2/1998 Gudefin ..... D28/13
- D. 407,847 \* 4/1999 Gudefin ..... D28/13
- D. 412,219 \* 7/1999 Goetschi ..... D28/13

- D. 425,665 \* 5/2000 Kling et al. .... D28/13
- D. 426,022 \* 5/2000 Micinilio ..... D28/13
- 5,013,891 \* 5/1991 Shoemaker ..... 219/385
- 5,490,336 \* 2/1996 Smick et al. .... 34/97

\* cited by examiner

*Primary Examiner*—Paula A. Mortimer

(74) *Attorney, Agent, or Firm*—Cantor Colburn LLP

(57) **CLAIM**

The ornamental design for a hair dryer, as shown and described.

**DESCRIPTION**

FIG. 1 is a top and front perspective view of a first embodiment of a hair dryer showing my new design, the electric cord is drawn broken away for ease of illustration; FIG. 2 is a front view thereof; FIG. 3 is a side view thereof, taken from the right of FIG. 2; FIG. 4 is a side view thereof, taken from the left of FIG. 2; FIG. 5 is a rear view thereof; FIG. 6 is a top view thereof; FIG. 7 is a bottom view thereof; and, FIG. 8 is a top and front perspective view of a second embodiment of a hair dryer showing my new design, the only difference being the nozzle.

**1 Claim, 8 Drawing Sheets**

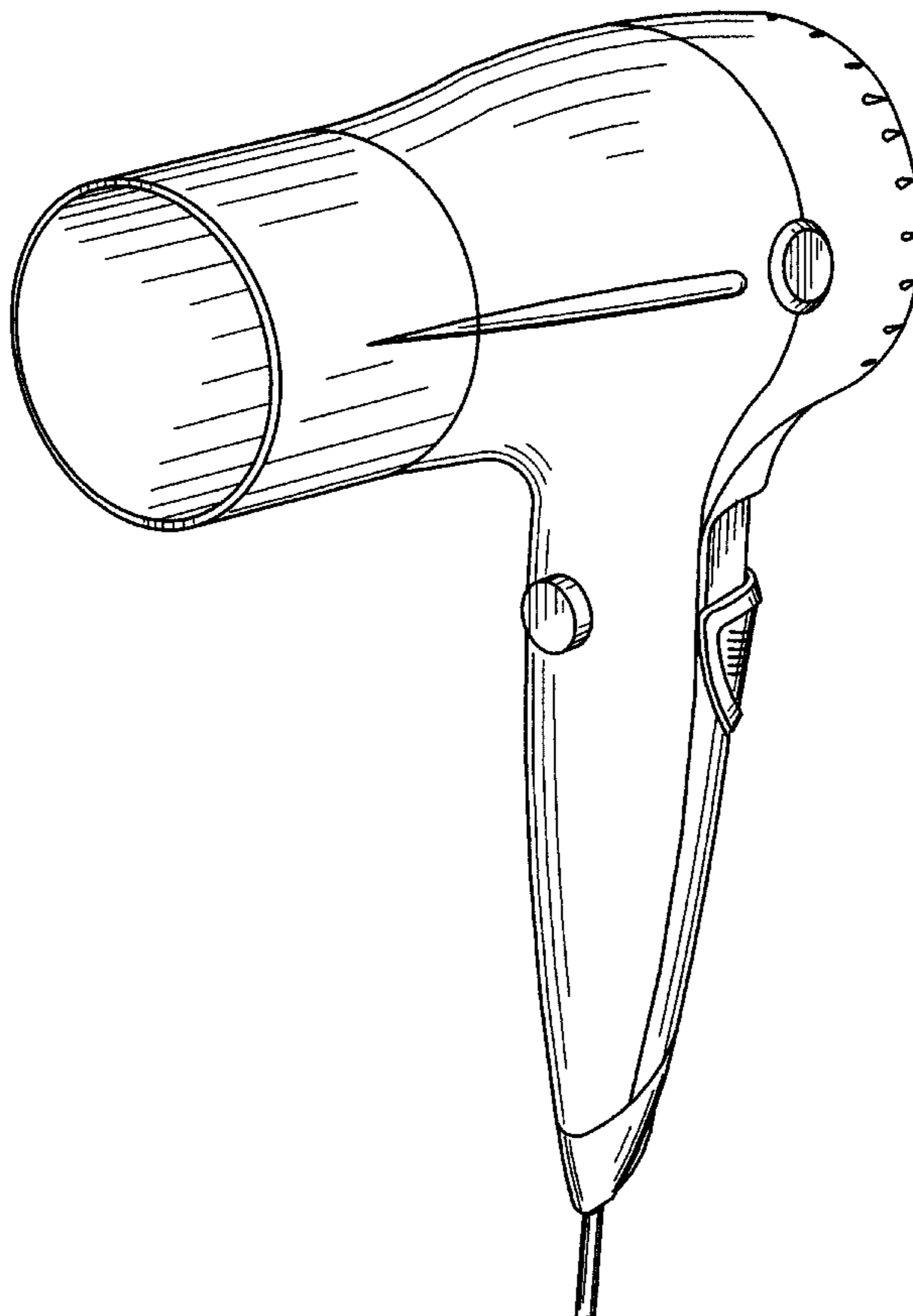


FIG. 1

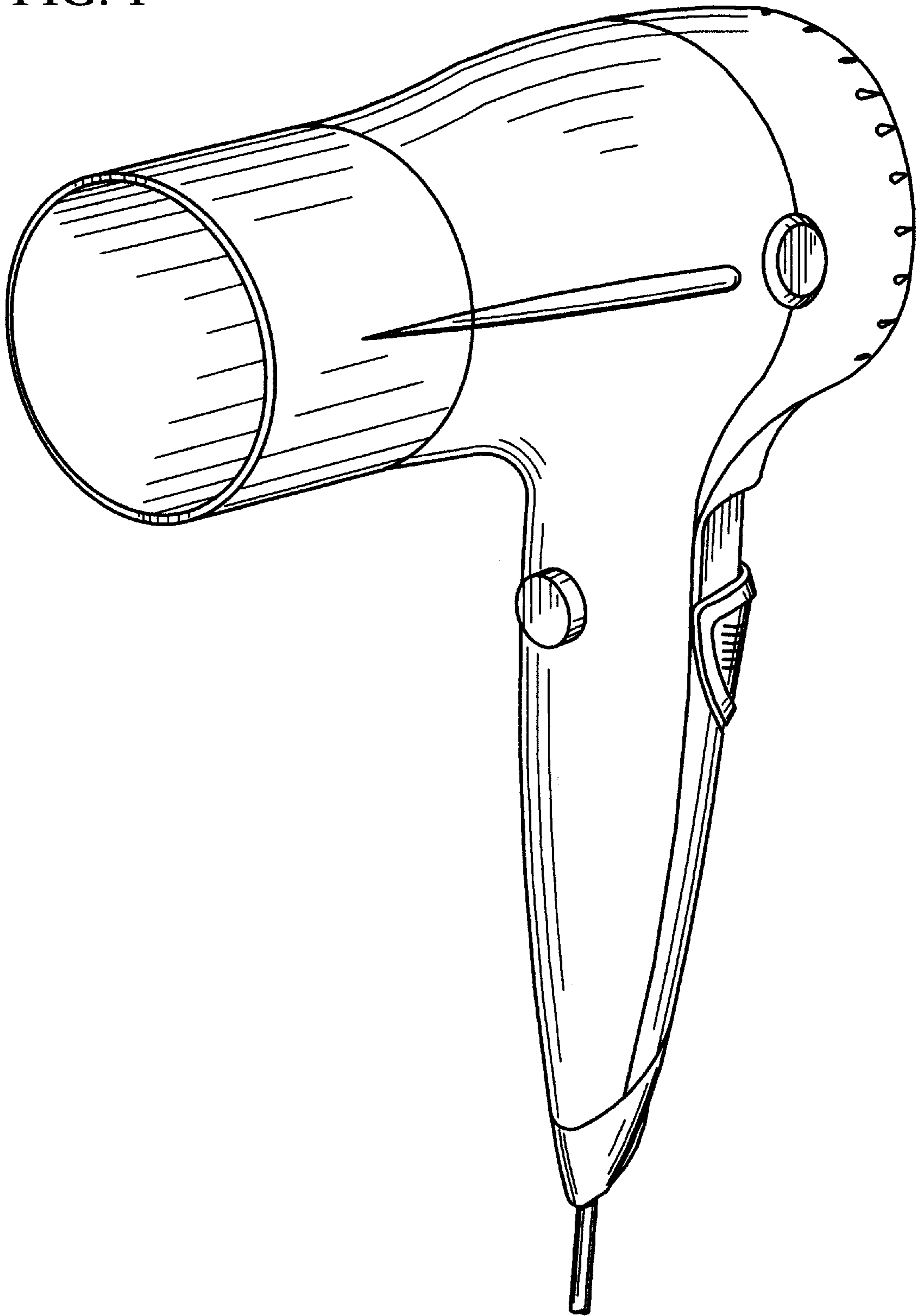


FIG. 2

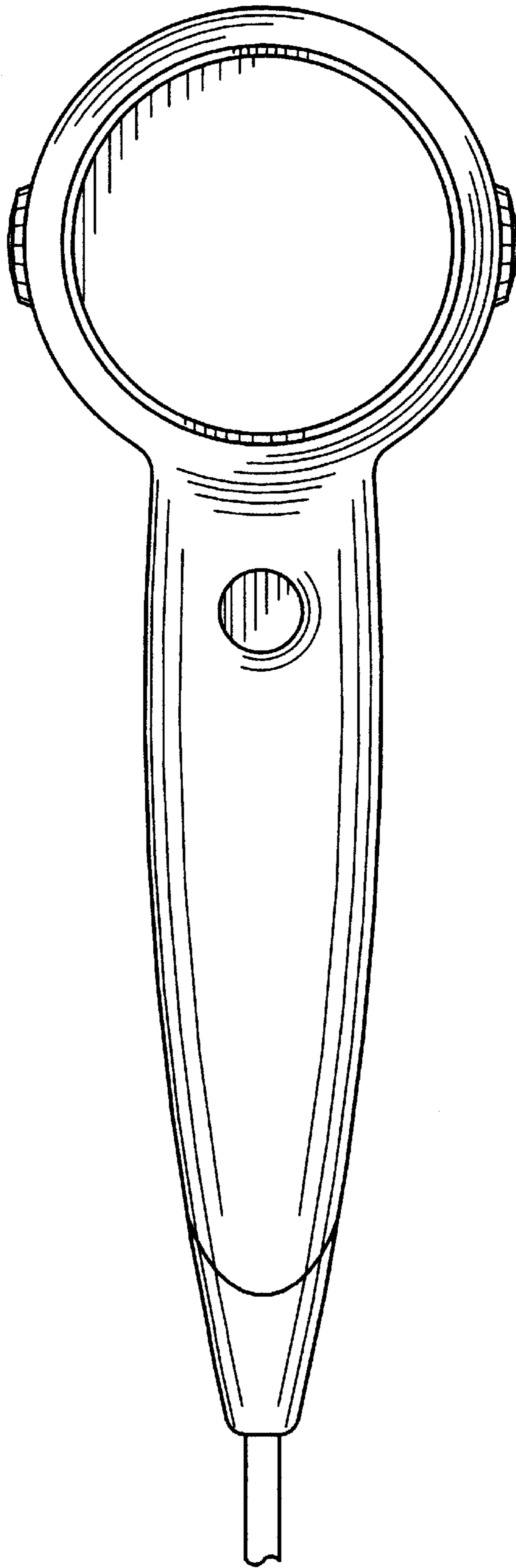


FIG. 3

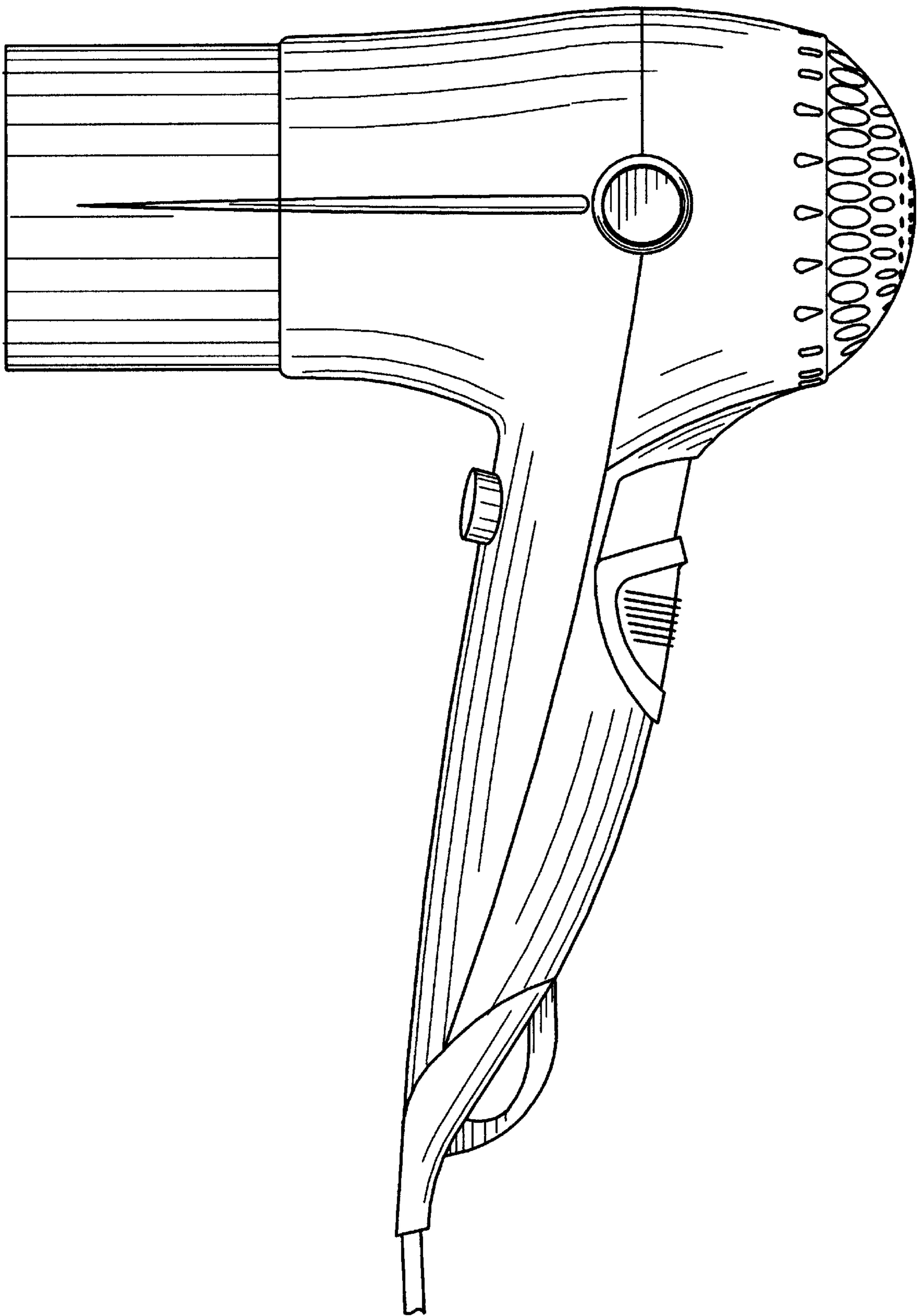


FIG. 4

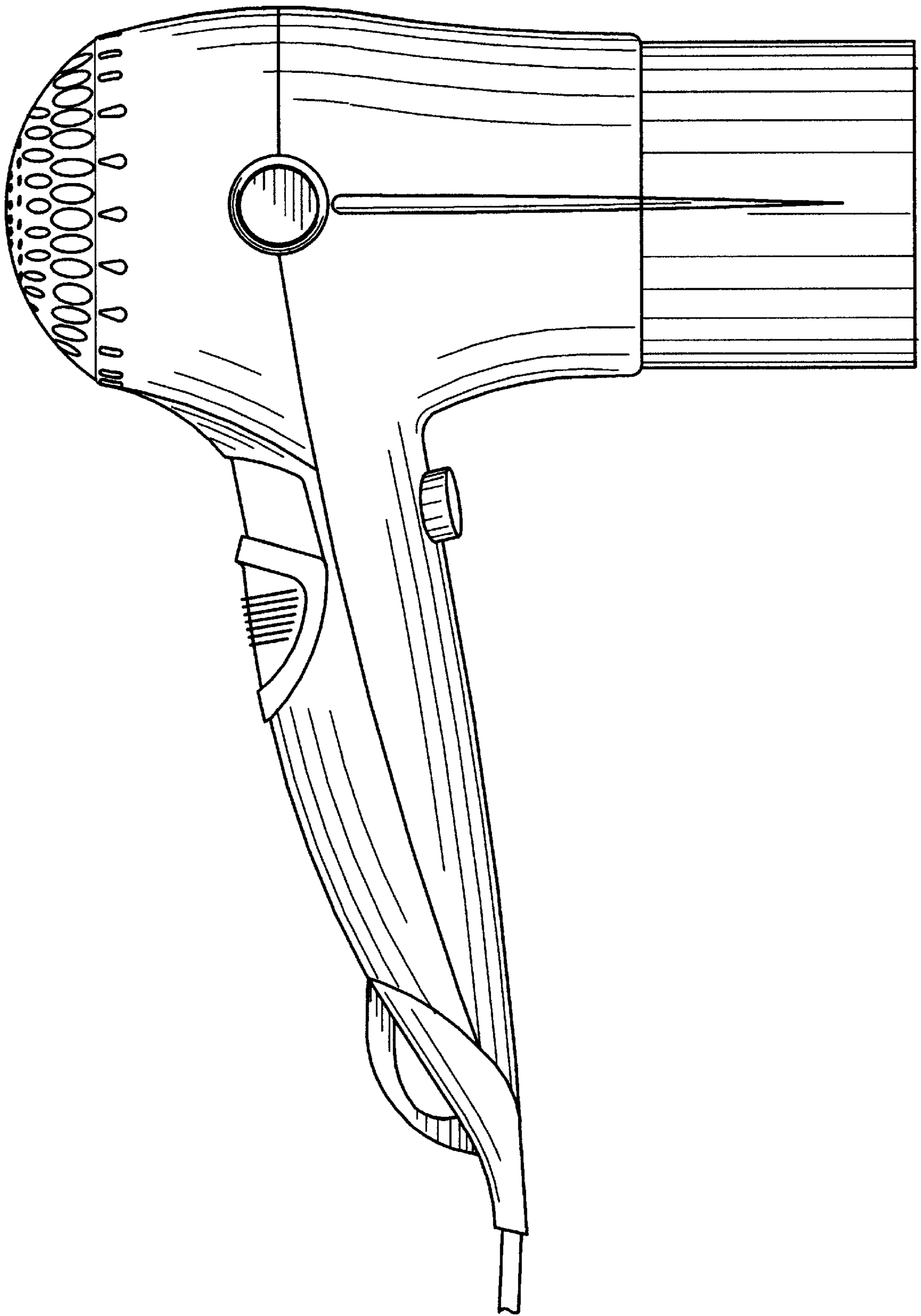


FIG. 5

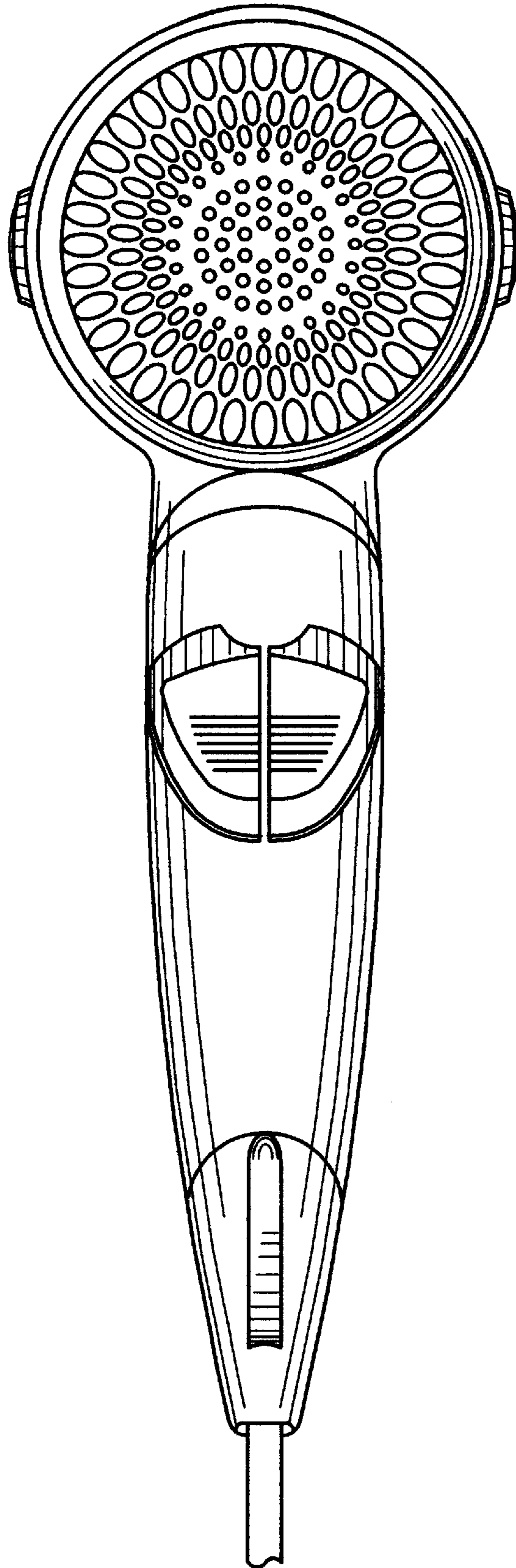


FIG. 6

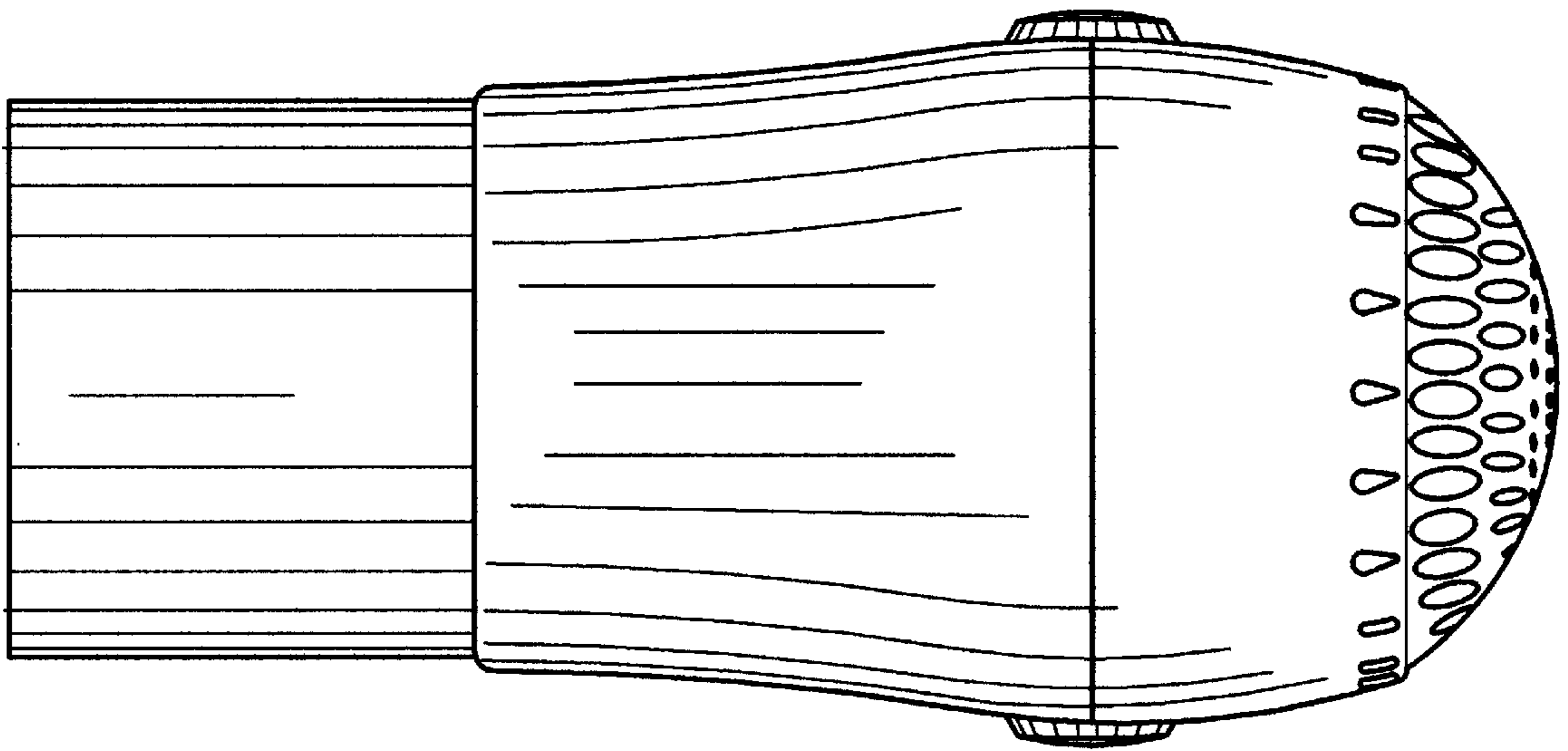


FIG. 7

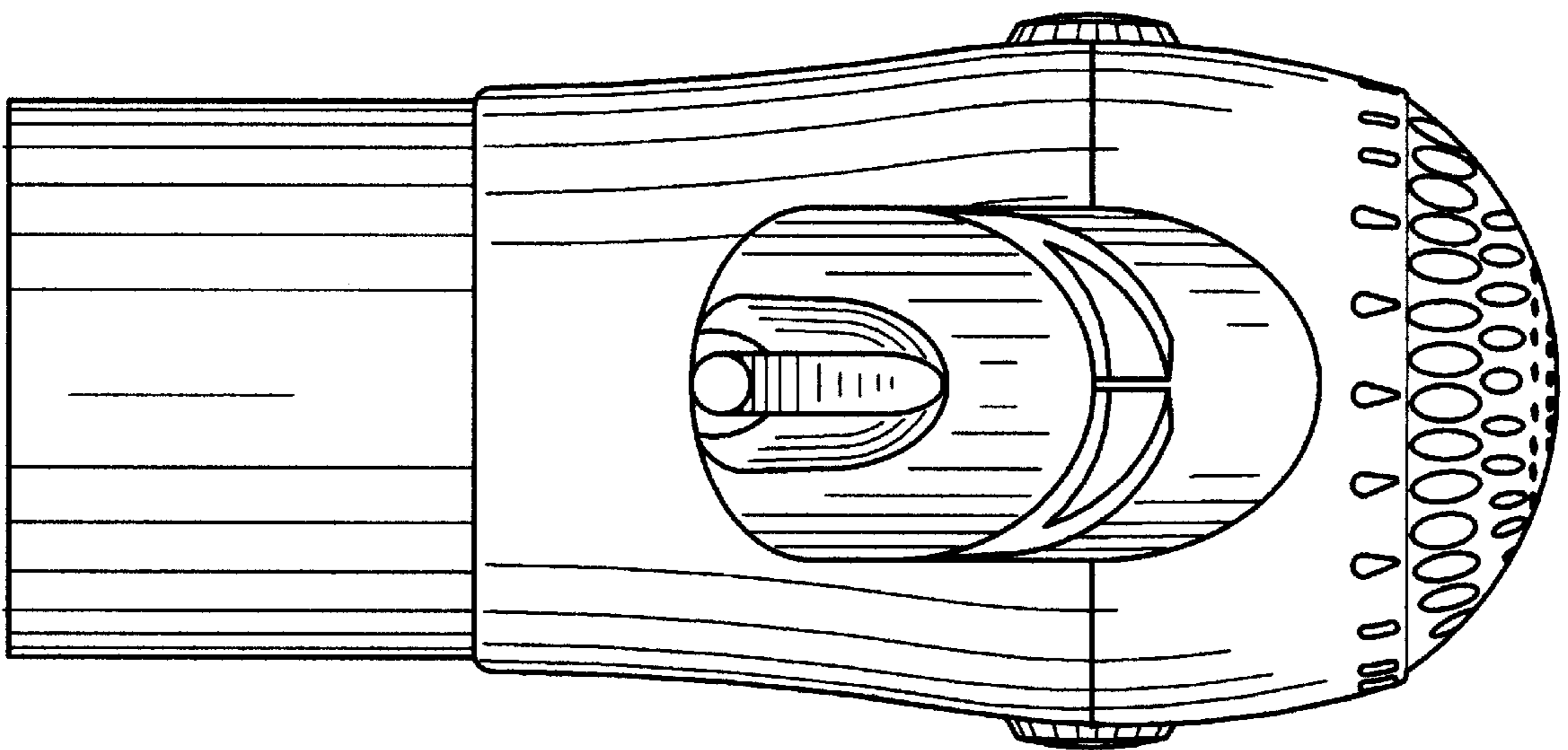




FIG. 8

