



US00D438333S

(12) **United States Design Patent**
Lo

(10) **Patent No.:** **US D438,333 S**

(45) **Date of Patent:** **** Feb. 27, 2001**

(54) **LAMP SHADE**

(75) Inventor: **David Lo**, Taipei (TW)

(73) Assignee: **The Holmes Group, Inc.**, Milford, MA (US)

(**) Term: **14 Years**

(21) Appl. No.: **29/116,368**

(22) Filed: **Dec. 30, 1999**

(51) **LOC (7) Cl.** **26-05**

(52) **U.S. Cl.** **D26/131**; D26/118

(58) **Field of Search** D26/128-137,
D26/118, 60-66; 362/275, 297, 326, 333,
336, 337, 338, 348, 350, 351, 340, 341,
346

(56) **References Cited**

U.S. PATENT DOCUMENTS

- D. 279,130 6/1985 Berger .
- D. 312,885 12/1990 Louis .
- D. 388,210 12/1997 Yang .
- D. 391,665 3/1998 Yang .

- D. 399,334 10/1998 Lo .
- D. 402,773 * 12/1998 Lo D26/118 X
- D. 410,298 5/1999 Sherman .
- 3,900,727 * 8/1975 Hutz 362/346 X
- 4,447,865 * 5/1984 VanHorn et al. 362/297
- 5,586,820 * 12/1996 Klink 362/275 X

* cited by examiner

Primary Examiner—Susan J. Lucas

(74) *Attorney, Agent, or Firm*—Hoffmann & Baron, LLP;
Francis E. Marino

(57) **CLAIM**

The ornamental design for a lamp shade, as shown and described.

DESCRIPTION

FIG. 1 is a top perspective view of a lamp shade showing my new design;
 FIG. 2 is a side elevation view thereof; and,
 FIG. 3 is a rear elevation view thereof.
 The subject matter shown in broken lines forms no part of the claimed design. The bottom view forms no part of the claimed design.

1 Claim, 3 Drawing Sheets

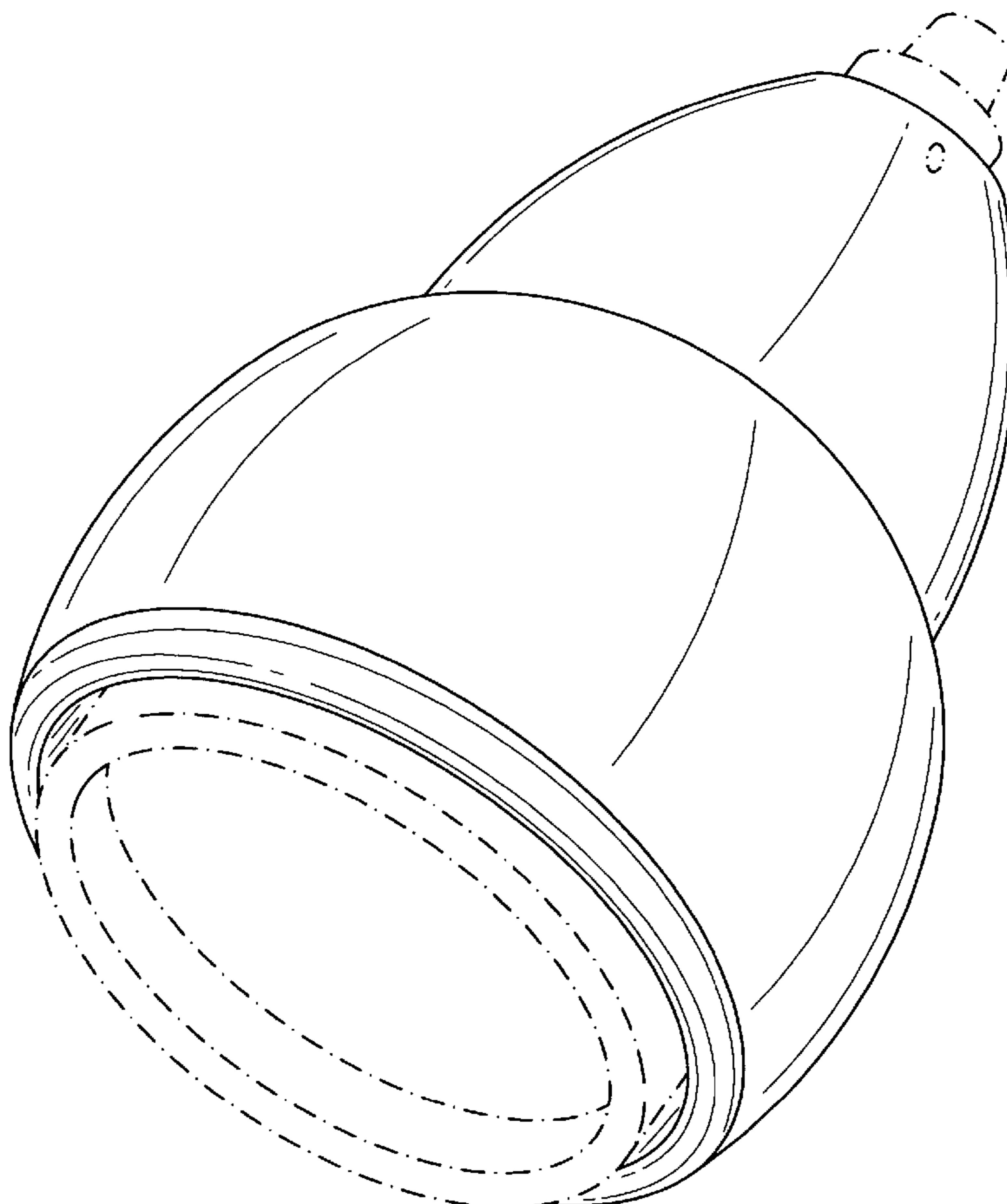


FIG. 1

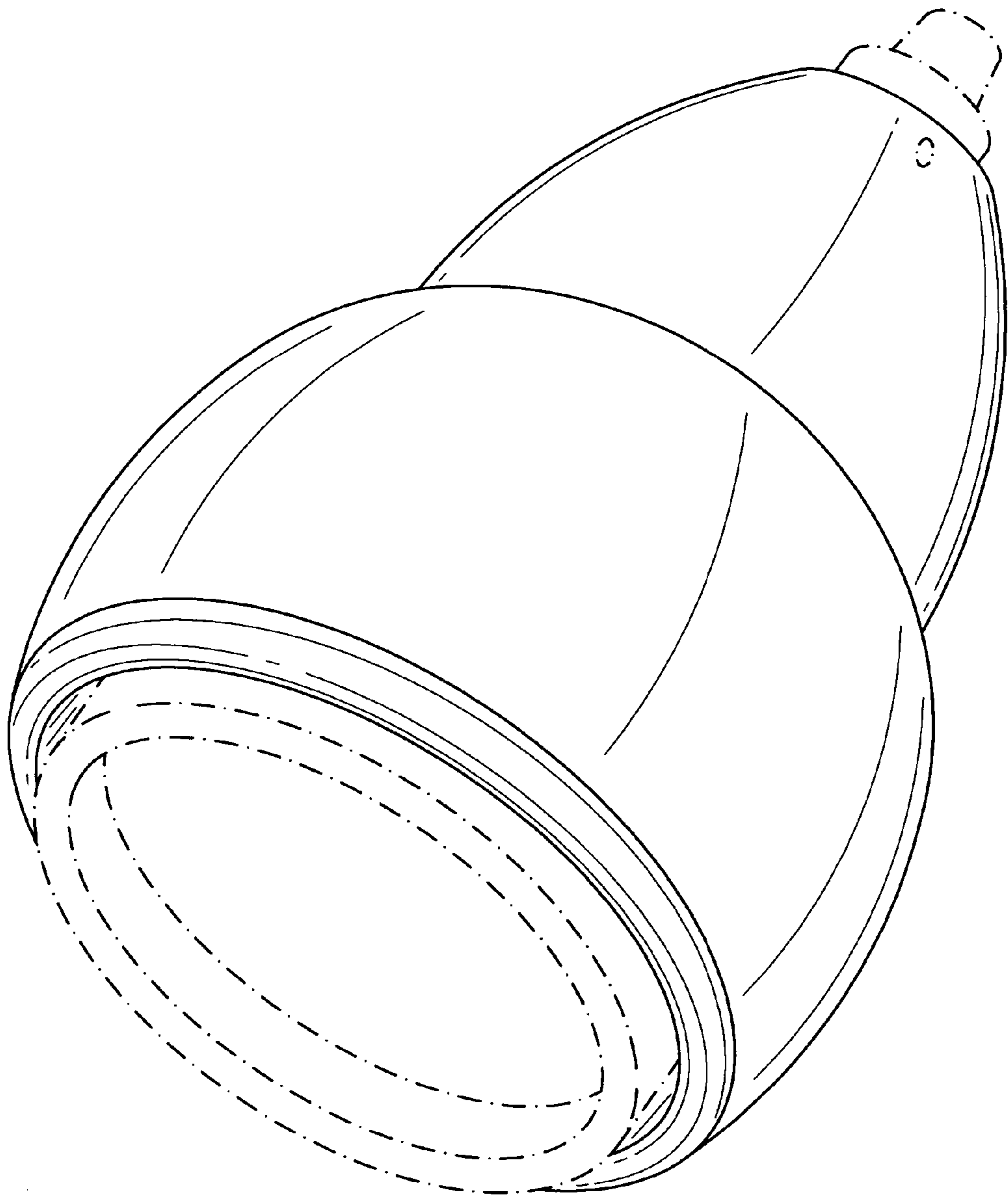


FIG. 2

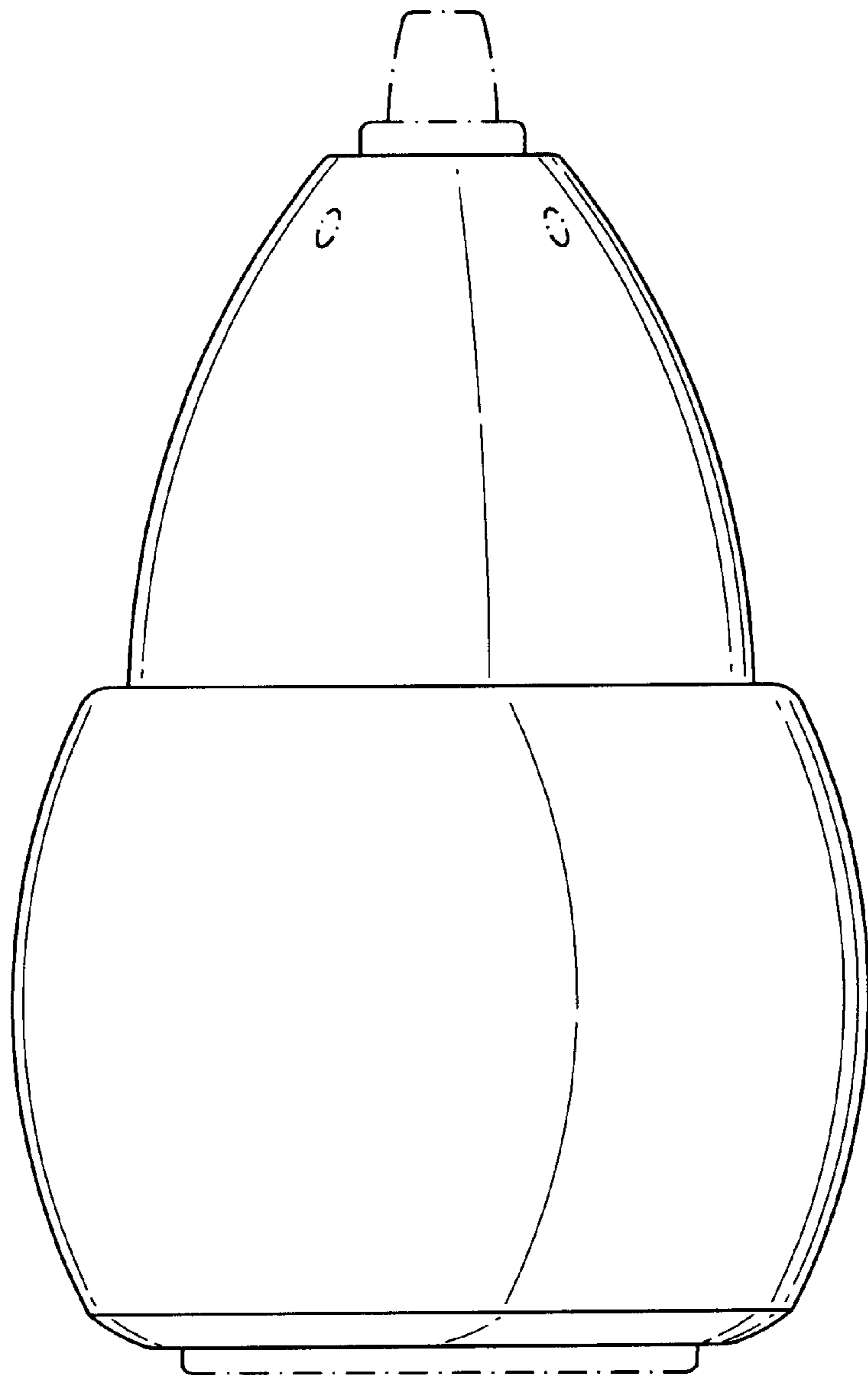


FIG. 3

