



US00D438331S

(12) **United States Design Patent**  
**Moriyama et al.**

(10) **Patent No.:** **US D438,331 S**

(45) **Date of Patent:** **\*\* Feb. 27, 2001**

(54) **TRANSLUCENT COLOR FILTER**

111275 2/1991 (KR) .

(75) Inventors: **Hideo Moriyama; Masayuki Katogi; Hiroaki Machii**, all of Tokyo (JP)

\* cited by examiner

*Primary Examiner*—Susan J. Lucas

(73) Assignee: **Moriyama Sangyo Kabushiki Kaisha**, Tokyo (JP)

(74) *Attorney, Agent, or Firm*—Marshall & Melhorn

(\*\*) Term: **14 Years**

(57) **CLAIM**

The ornamental design for a translucent color filter, as shown and described.

(21) Appl. No.: **29/110,940**

**DESCRIPTION**

(22) Filed: **Sep. 16, 1999**

(30) **Foreign Application Priority Data**

Mar. 19, 1999 (JP) ..... 11-7030

(51) **LOC (7) Cl.** ..... **26-99**

(52) **U.S. Cl.** ..... **D26/118**

(58) **Field of Search** ..... D26/128-137,  
D26/125; 362/326, 333, 335-336, 337,  
338, 339, 348, 350, 351

FIG. 1 is a perspective view of a translucent color filter showing our new design;

FIG. 2 is a front view thereof, the back view being identical thereto;

FIG. 3 is a right side view thereof, the left side being a mirror image thereof;

FIG. 4 is a top plan view thereof;

FIG. 5 is a bottom plan view thereof;

FIG. 6 is an enlarged sectional view thereof taken along the lines VI—VI in FIG. 4;

FIG. 7 is a perspective view thereof, the broken lines showing an electrical lead to the filter for illustrative purposes only; and,

FIG. 8 is an illustrative perspective view showing five translucent color filters, each having the claimed design, which are disposed symmetrically on a flower-shaped plate member four of the filters and the plate being shown in broken lines for illustrative purposes only.

(56) **References Cited**

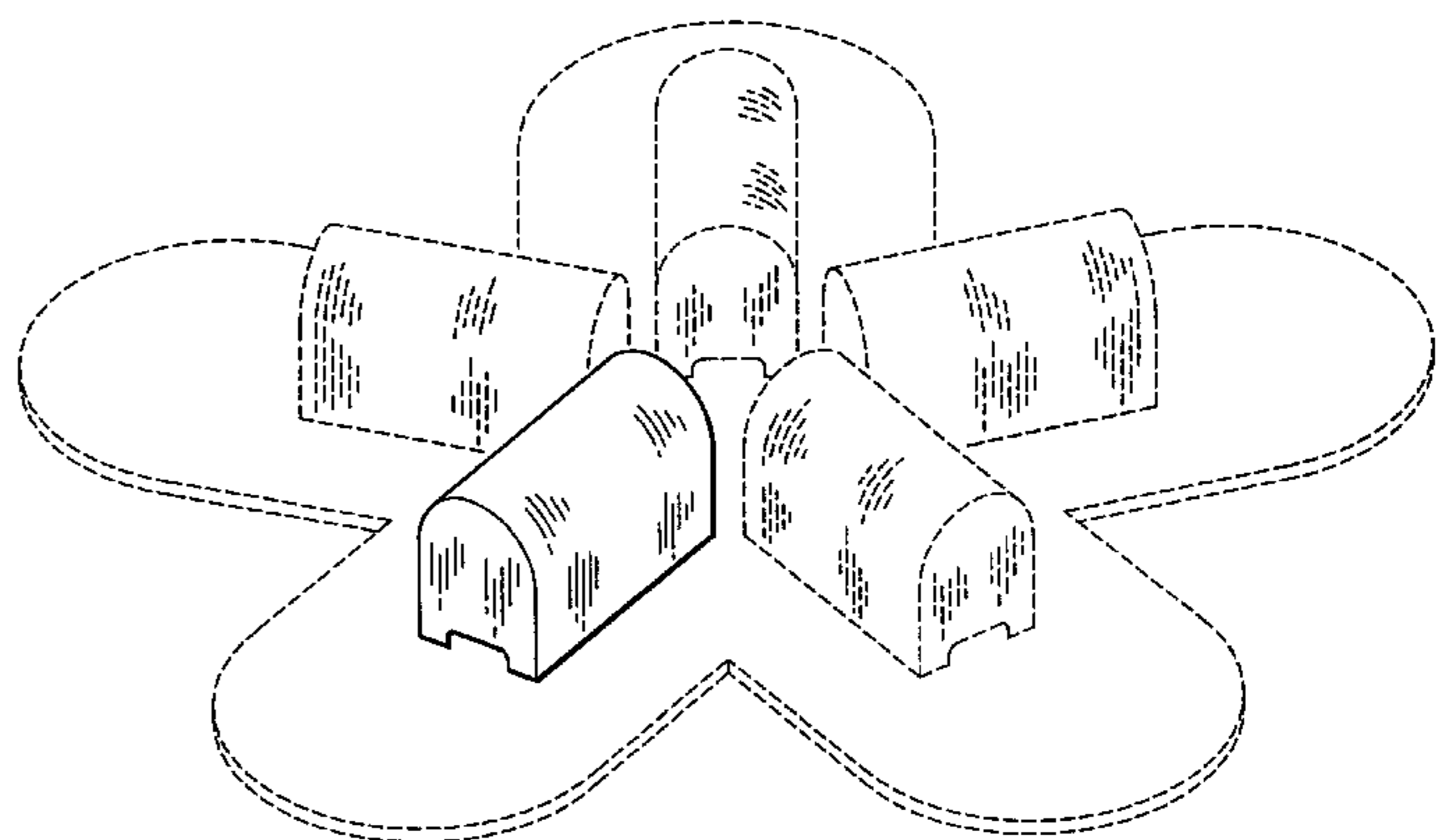
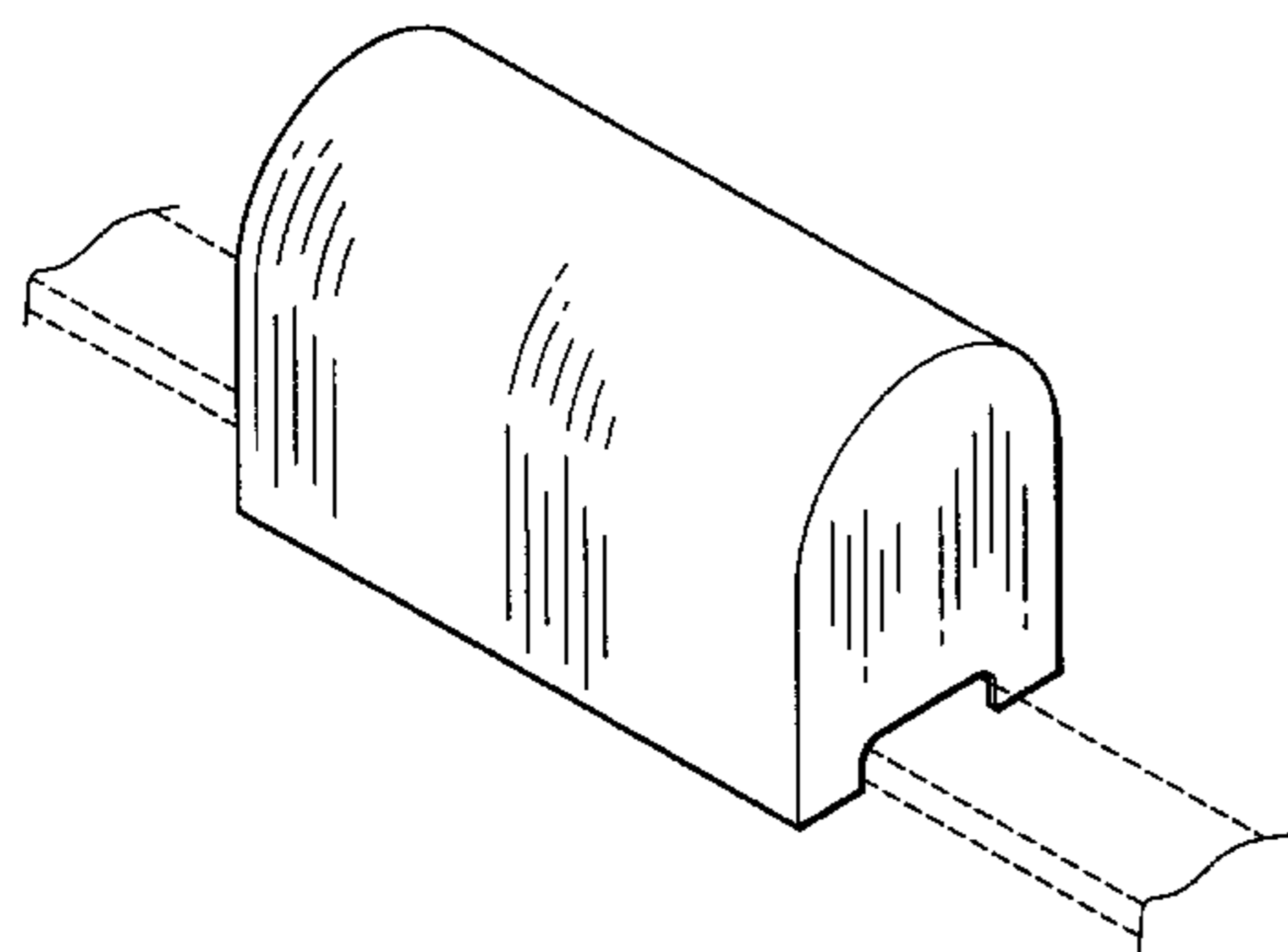
**U.S. PATENT DOCUMENTS**

- D. 28,511 \* 4/1898 Huennekens ..... D8/399
- 2,301,768 \* 11/1942 Wolf ..... 362/31
- 2,839,670 \* 6/1958 Gladstone ..... 362/31
- 6,050,704 \* 4/2000 Park ..... 362/31 X
- 6,108,060 \* 8/2000 Funamoto et al. .... 362/31 X

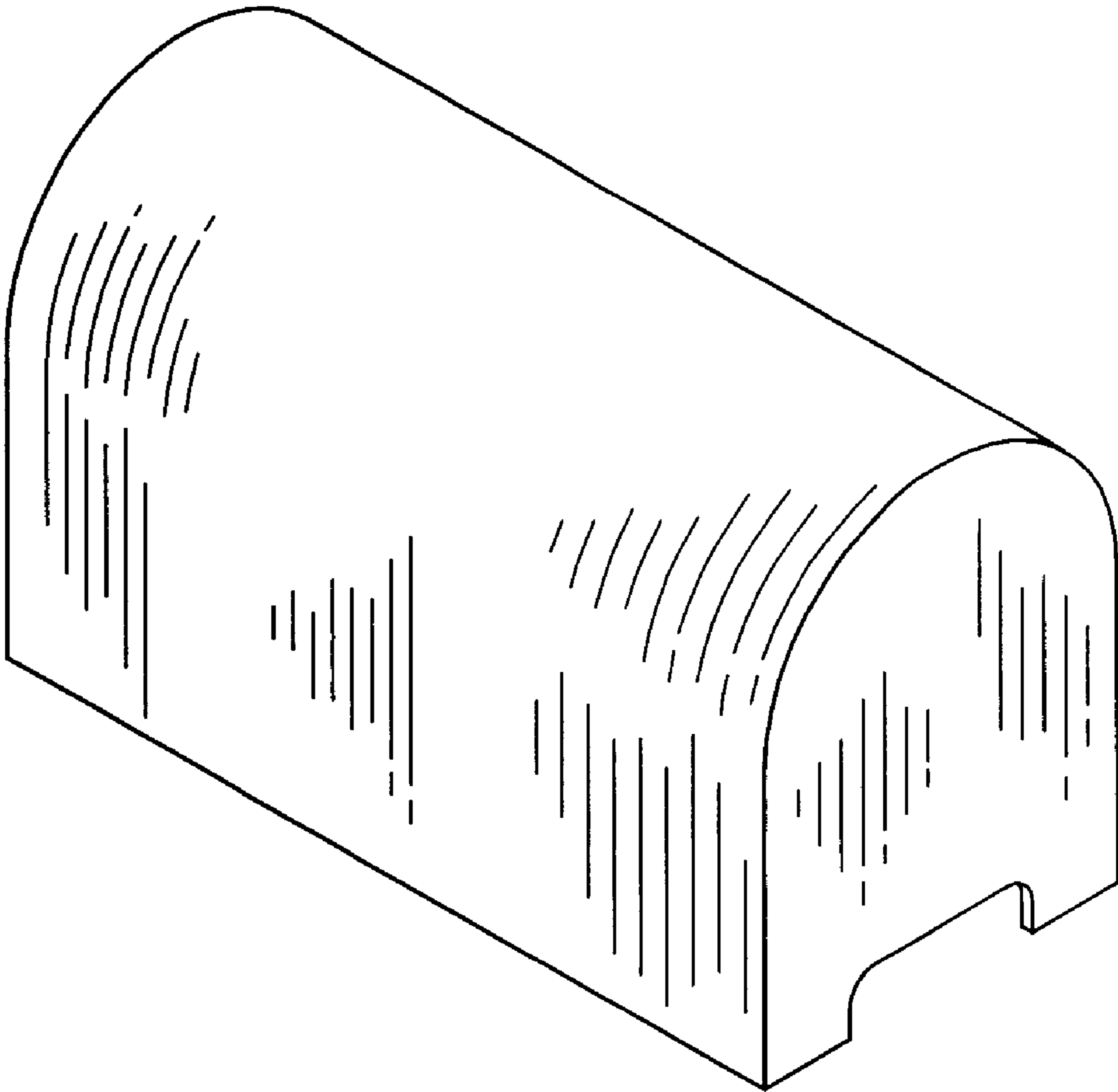
**FOREIGN PATENT DOCUMENTS**

1038697 5/1999 (JP) .

**1 Claim, 3 Drawing Sheets**



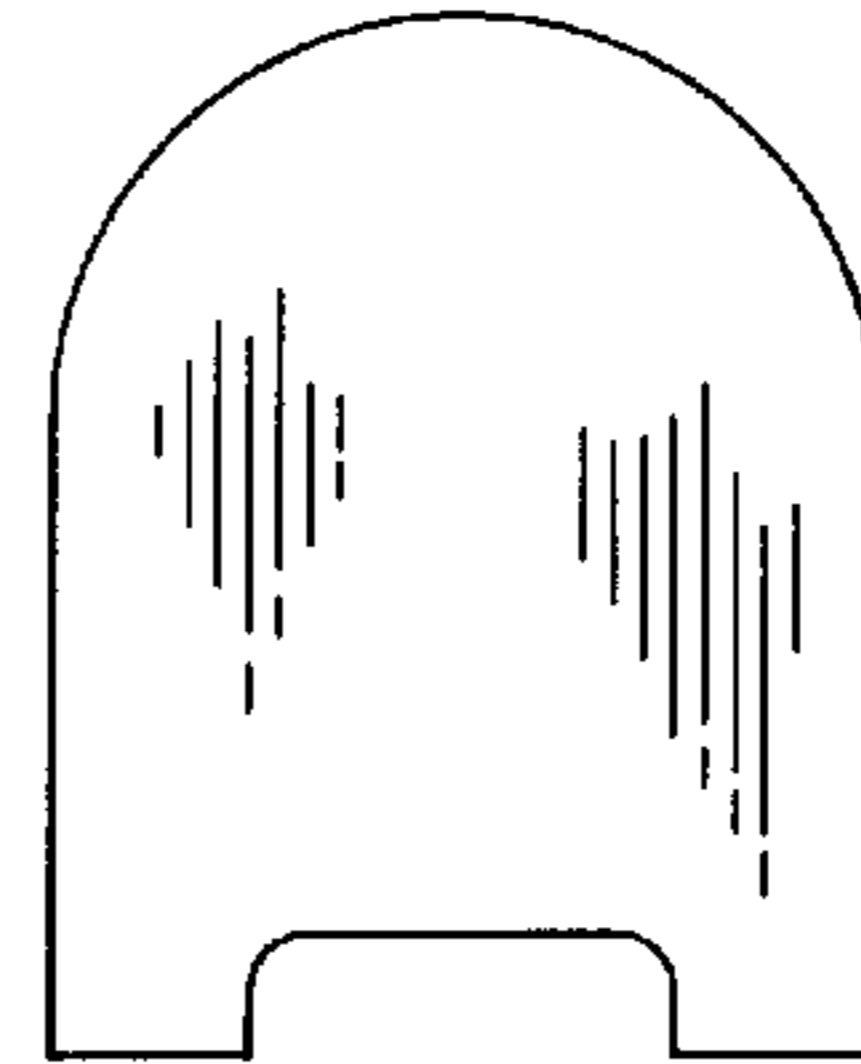
*Fig. 1*



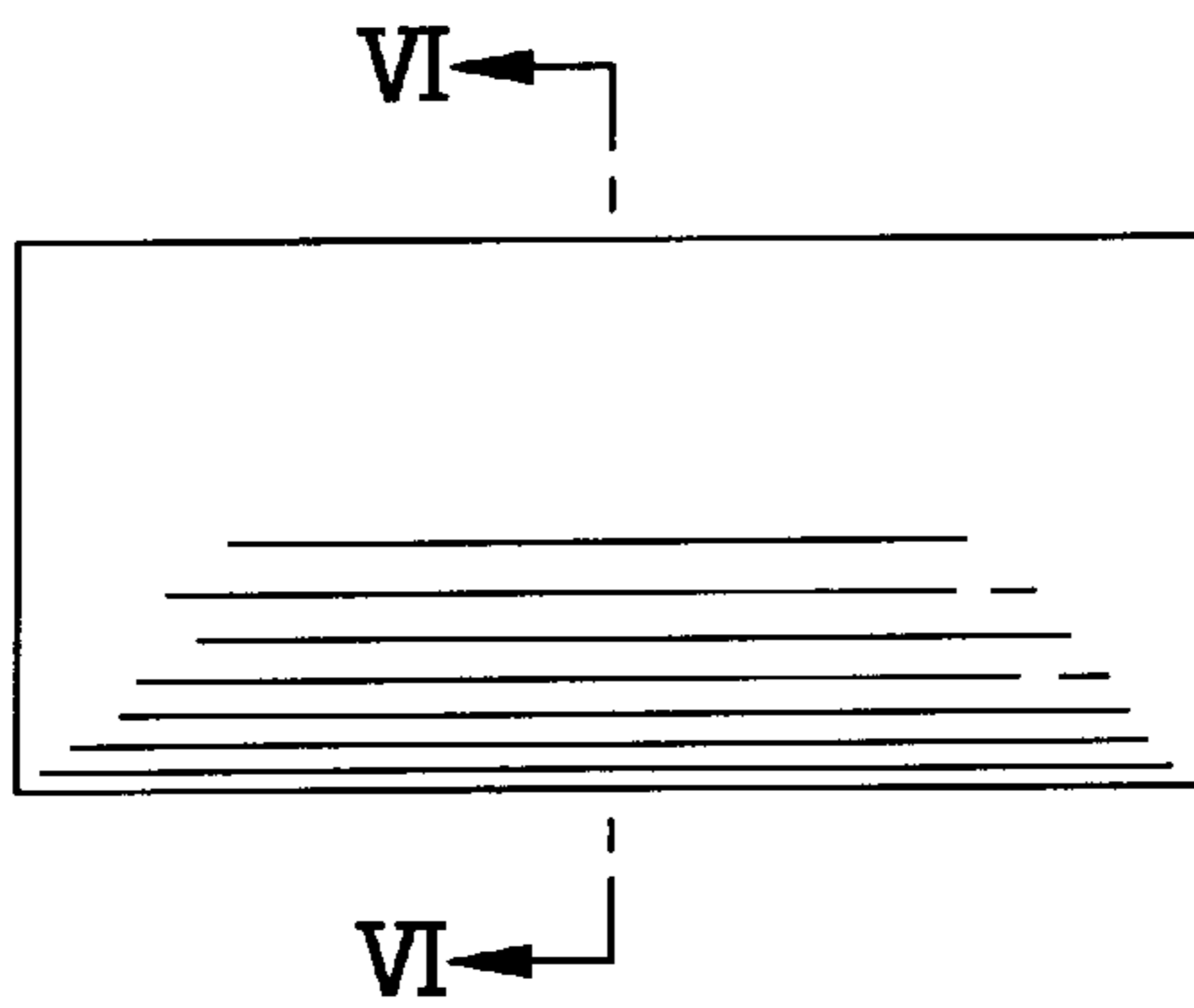
*Fig. 2*



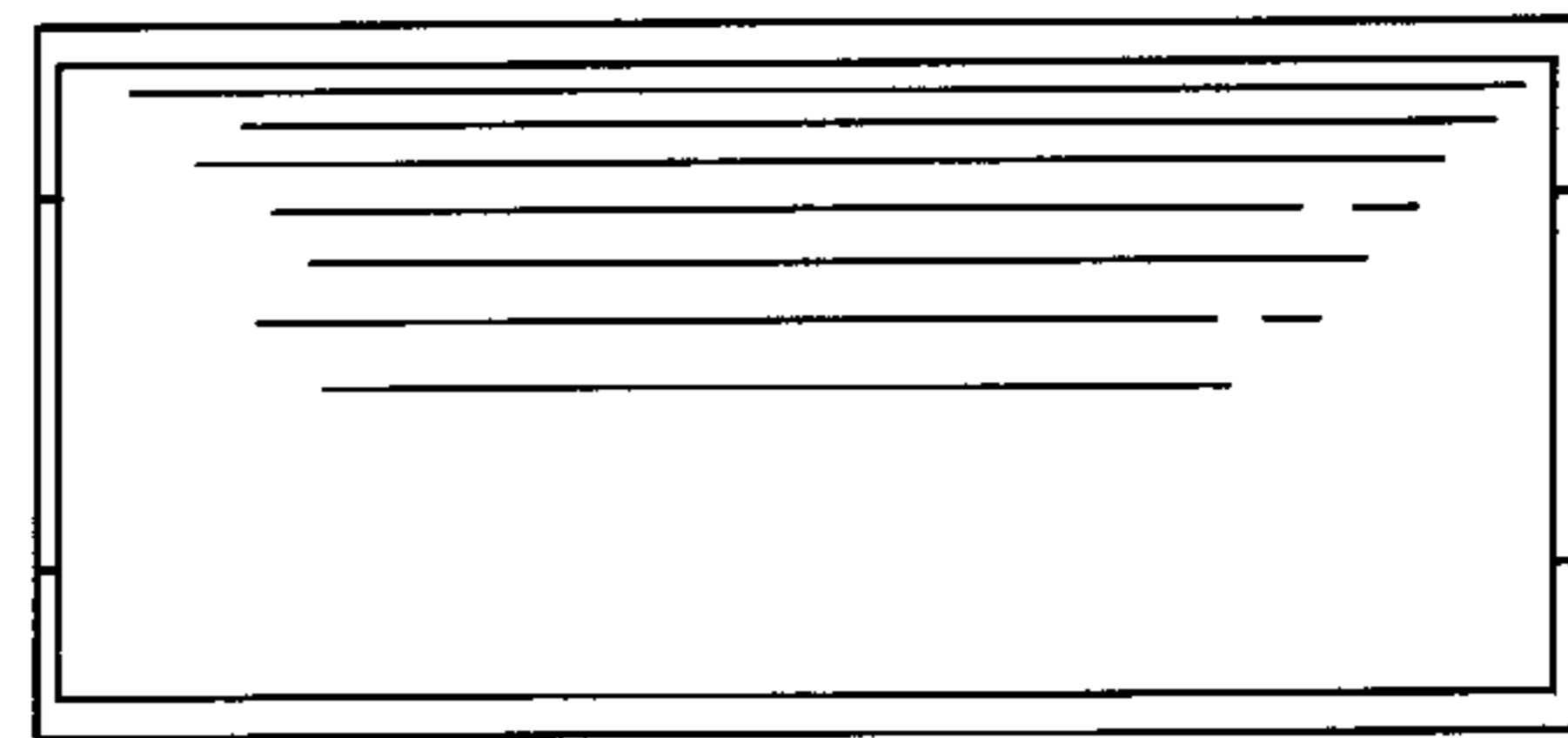
*Fig. 3*



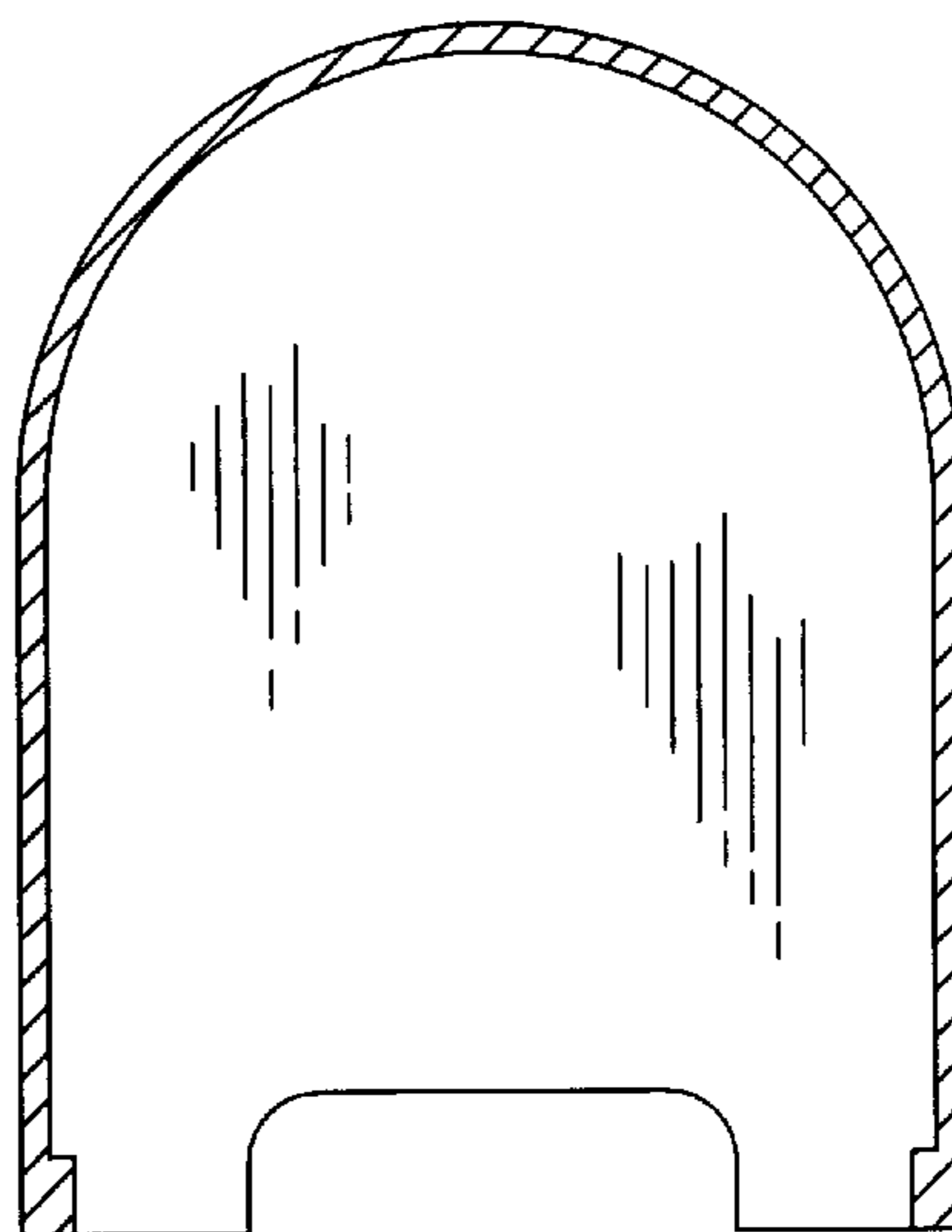
*Fig. 4*



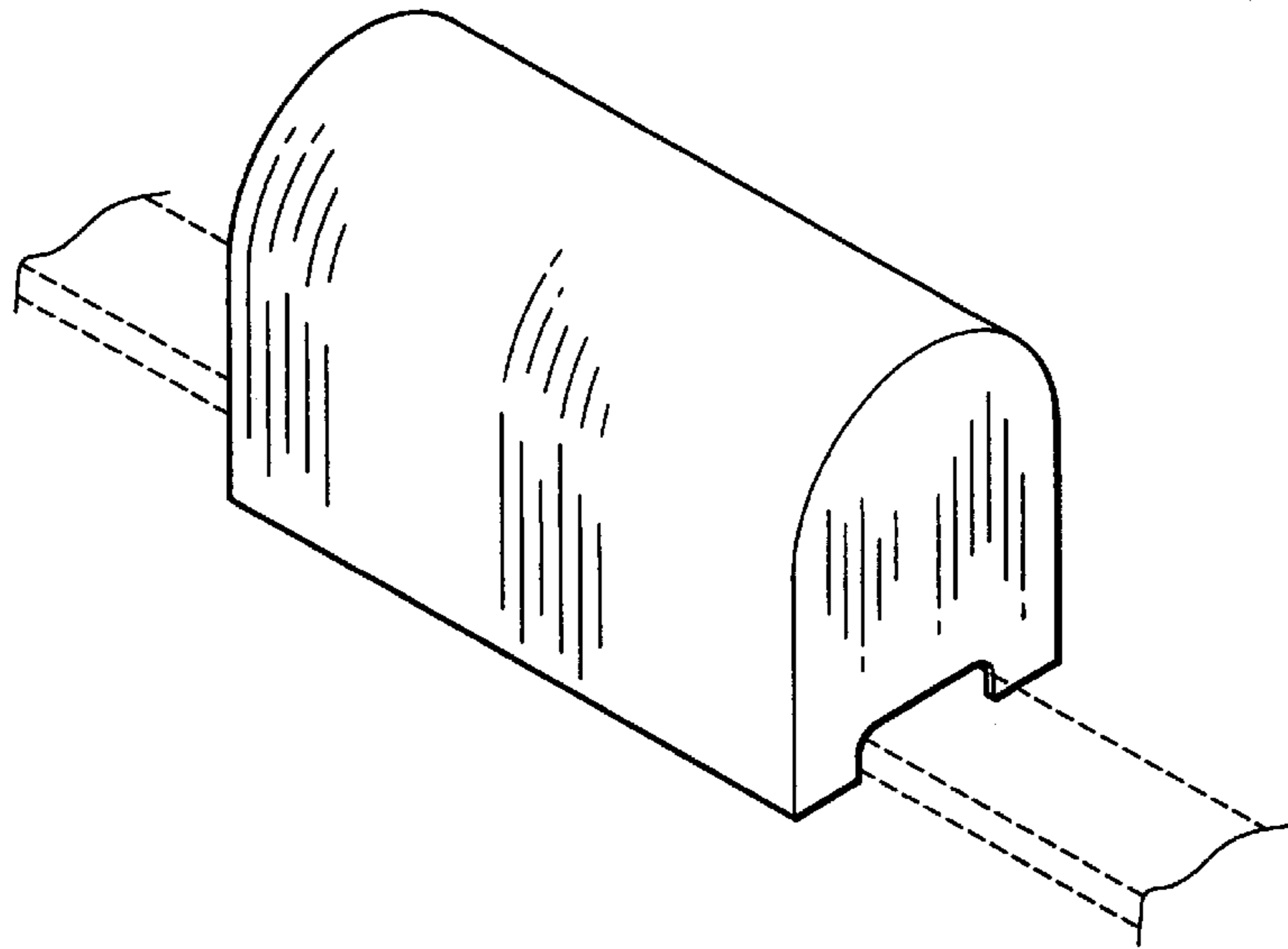
*Fig. 5*



*Fig. 6*



*Fig. 7*



*Fig. 8*

