



US00D438326S

(12) **United States Design Patent**
Kan

(10) **Patent No.:** **US D438,326 S**

(45) **Date of Patent:** **** Feb. 27, 2001**

(54) **LINKABLE FLUORESCENT LAMP WITH ALUMINUM REFLECTOR AND CRYSTAL LAMP COVER**

(75) **Inventor:** **Chi Hang Kan, Kwai Chung (HK)**

(73) **Assignee:** **Luen Yick Electrical Mfg., Co. Ltd. (HK)**

(**) **Term:** **14 Years**

(21) **Appl. No.:** **29/106,795**

(22) **Filed:** **Jun. 23, 1999**

(51) **LOC (7) Cl.** **26-05**

(52) **U.S. Cl.** **D26/76**

(58) **Field of Search** **D26/72, 76-79; 362/217, 218, 219, 222, 223**

(56) **References Cited**

U.S. PATENT DOCUMENTS

- D. 396,122 * 7/1998 Noh D26/76
- D. 424,230 * 5/2000 Noh D26/76
- 5,658,067 * 8/1997 Engle et al. 362/222

5,905,427 * 5/1999 Noh 362/223

* cited by examiner

Primary Examiner—Susan J. Lucas

(74) *Attorney, Agent, or Firm*—H. Jay Spiegel

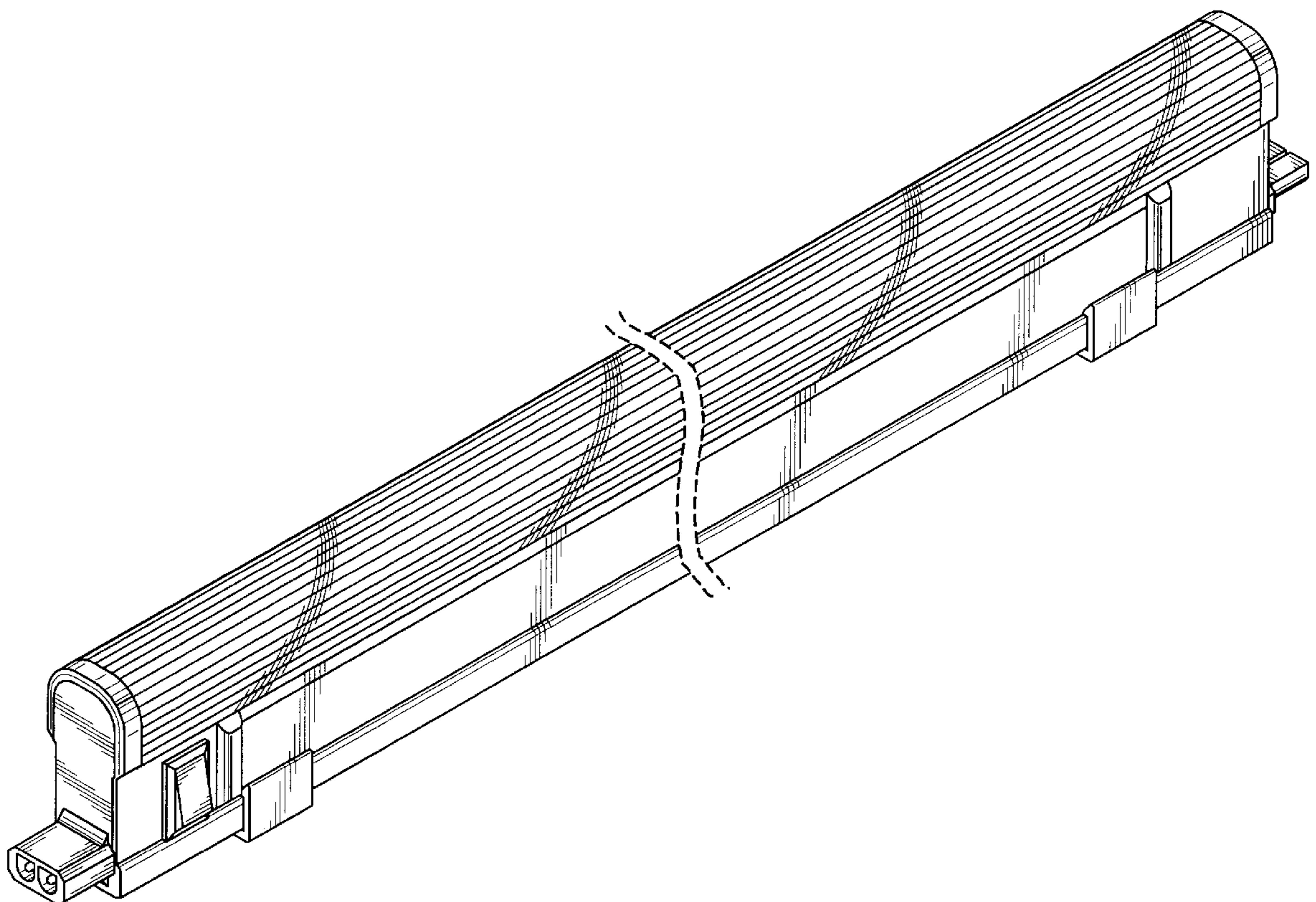
(57) **CLAIM**

The ornamental design for a linkable fluorescent lamp with aluminum reflector and crystal lamp cover, as shown and described.

DESCRIPTION

FIG. 1 shows a perspective view of my claimed design.
 FIG. 2 shows an exploded perspective view of my claimed design.
 FIG. 3 shows a front view of my claimed design.
 FIG. 4 shows a rear view of my claimed design.
 FIG. 5 shows a top view of my claimed design.
 FIG. 6 shows a bottom view of my claimed design.
 FIG. 7 shows a left side view of my claimed design; and,
 FIG. 8 shows a right side view of my claimed design.
 The fluorescent lamp is broken away to indicate indefinite length.

1 Claim, 3 Drawing Sheets



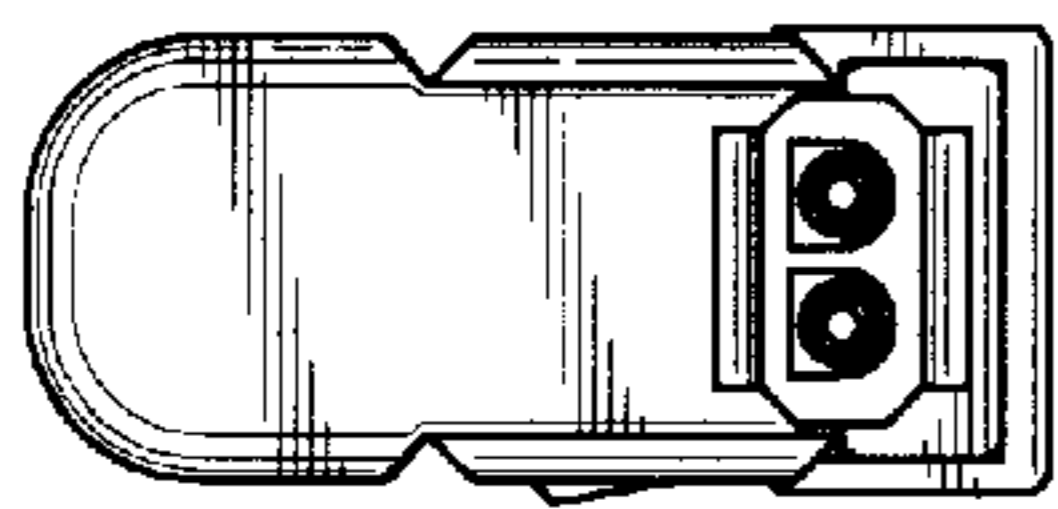


FIG. 7

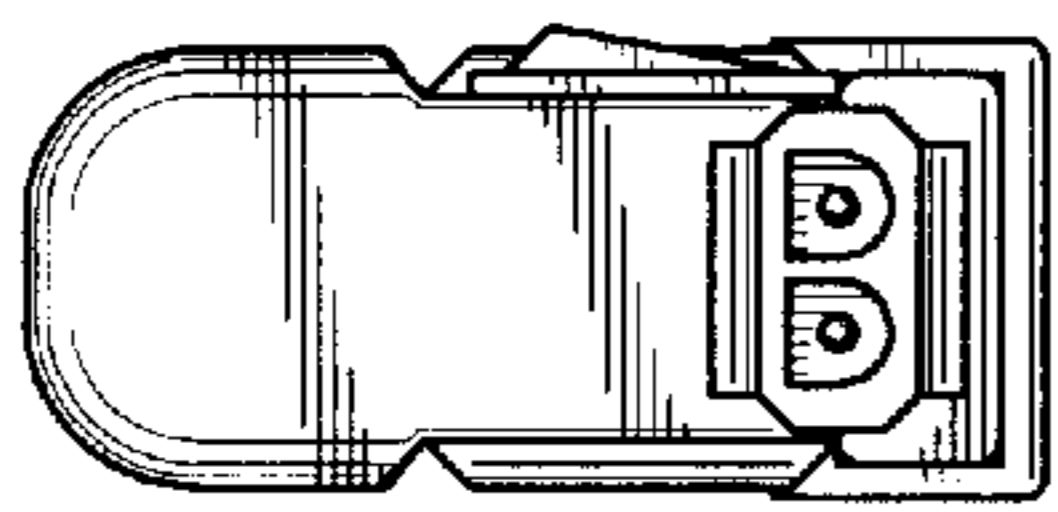


FIG. 8

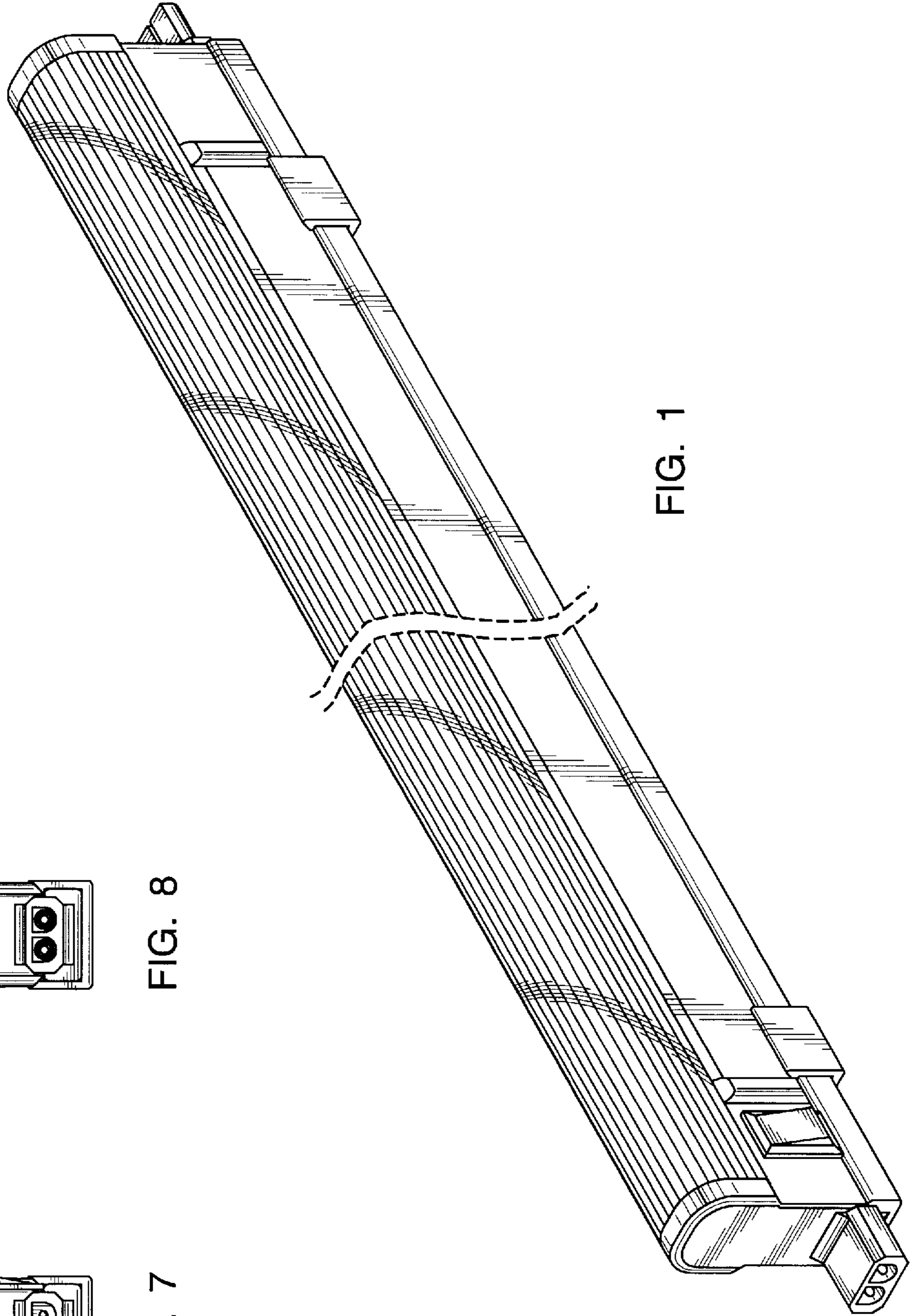


FIG. 1

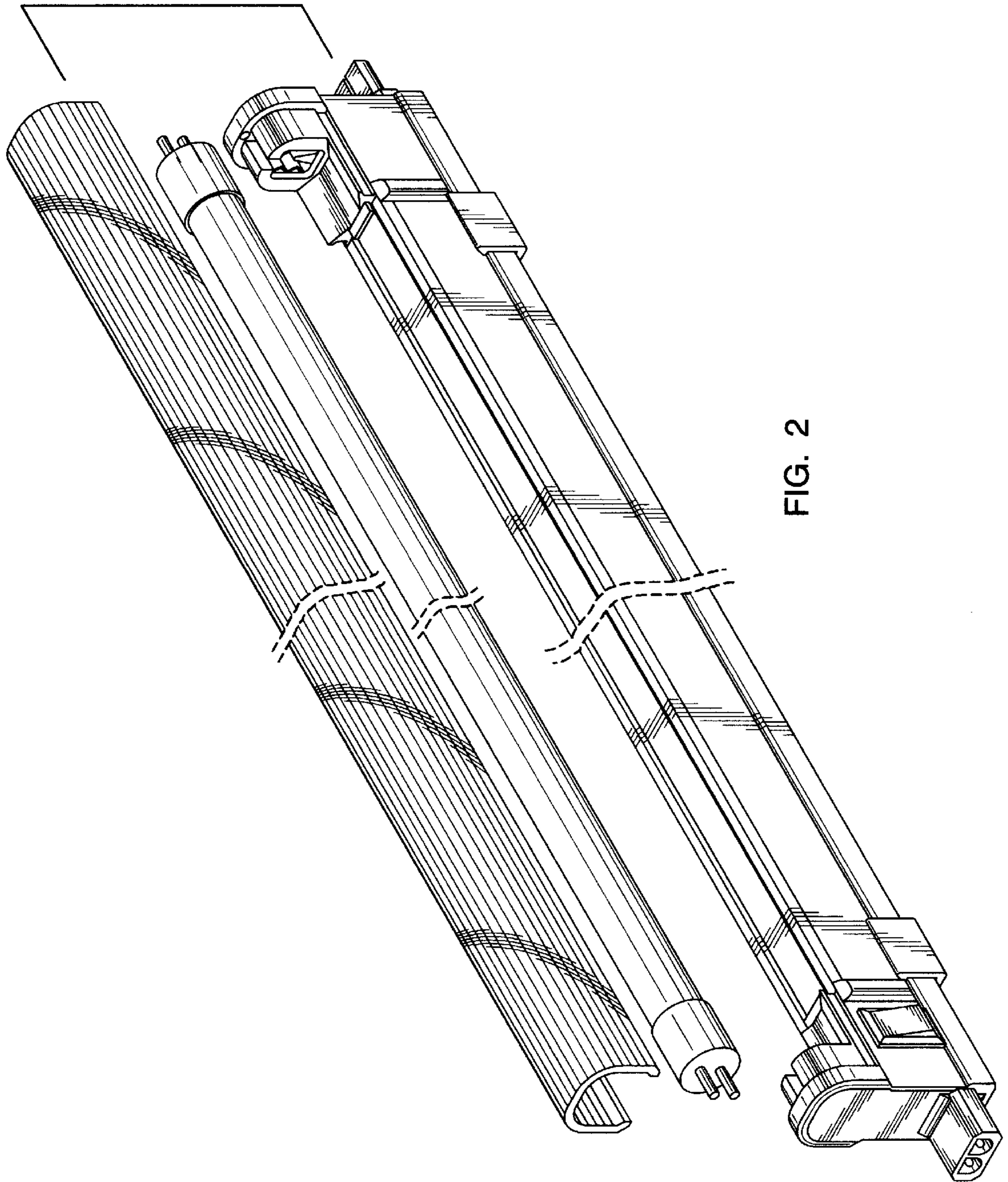


FIG. 2

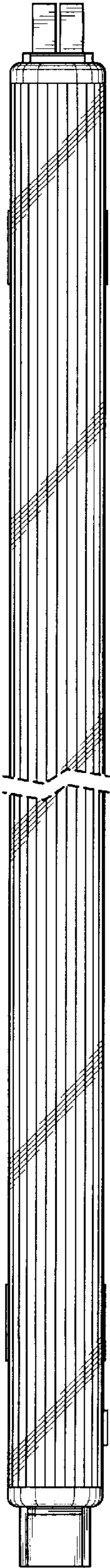


FIG. 5



FIG. 3

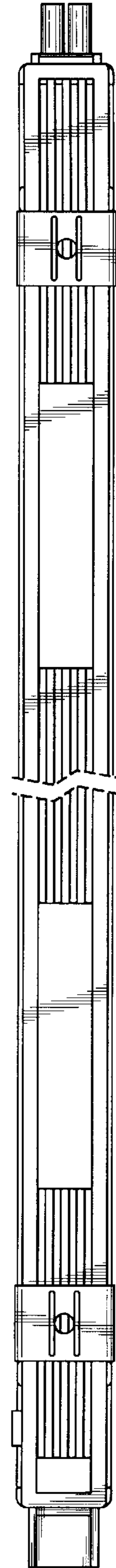


FIG. 6

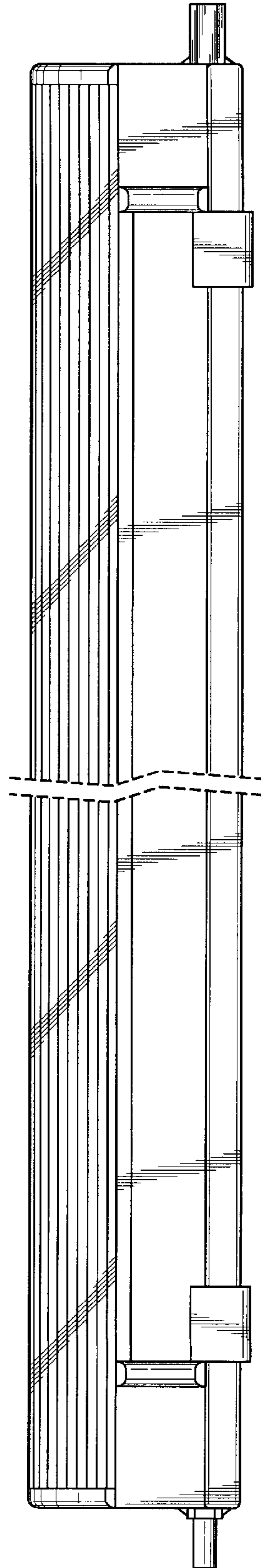


FIG. 4